



ALUMAX

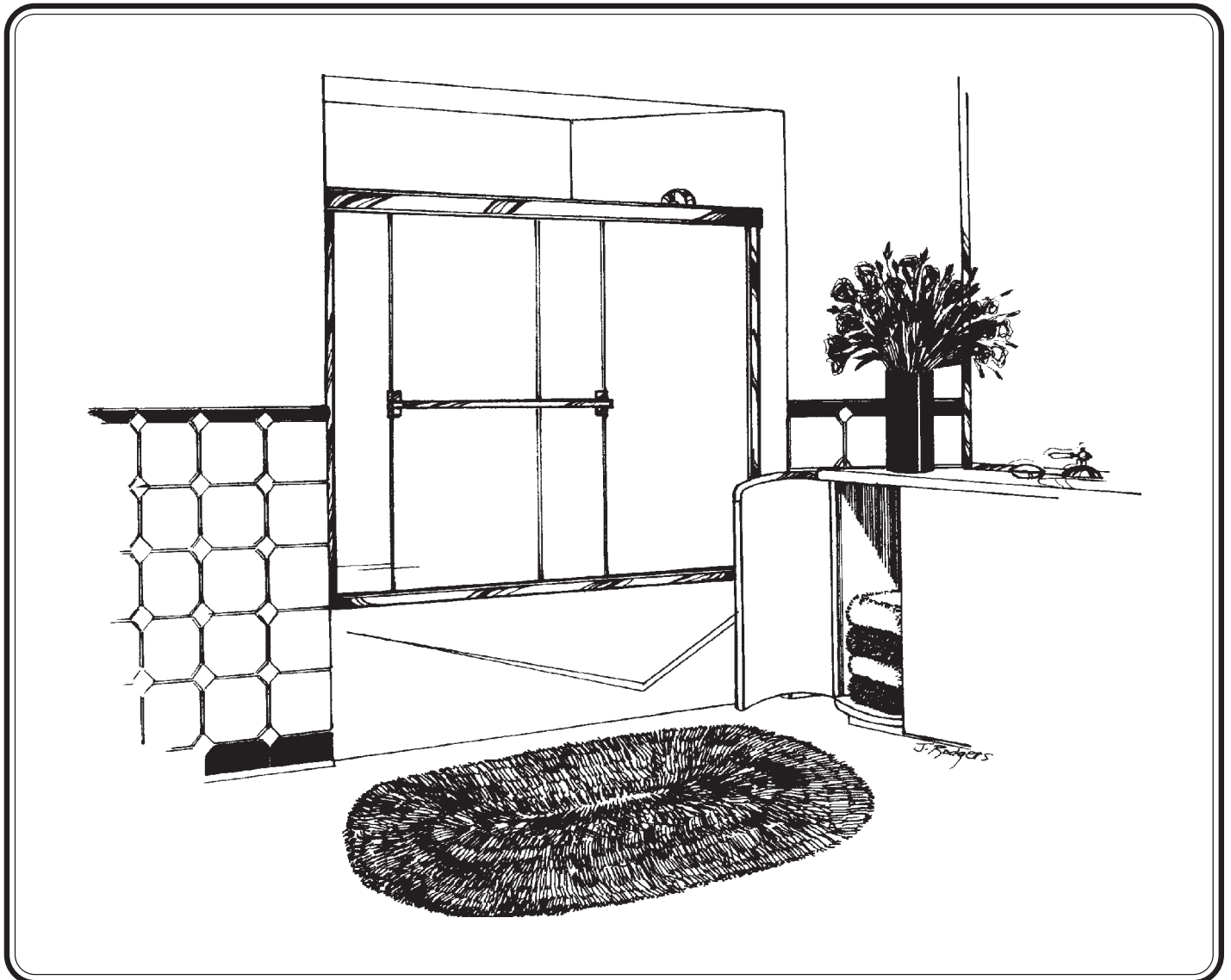
BATH ENCLOSURES

INSTALLATION
INSTRUCTIONS

An Alcoa Company ®

Tel: 800-643-1514
Fax: 870-234-3181
www.alumaxbath.com

340 & 350 SERIES BATH ENCLOSURES



LIMITED WARRANTY AND REMEDY

ALUMAX BATH ENCLOSURES warrants to its dealers, customers, and all subsequent purchasers and users, that the products supplied by it shall be free from material defects in material and workmanship for a period of one (1) year after shipment, provided they are installed and maintained according to ALUMAX BATH ENCLOSURE'S recommended practices and installation instructions. This warranty shall apply only to defects appearing within one (1) year from the date of shipment, and provided that ALUMAX BATH ENCLOSURES is promptly notified in writing of such defects. The sole and exclusive remedy with respect to the above warranty or with respect to any other claim relating to defects or any other condition or use of the products supplied by ALUMAX BATH ENCLOSURES, however caused, and whether such claim is based upon warranty contract, negligence, strict liability, or any other theory, is limited to repair or supply of such products, or repayment by ALUMAX BATH ENCLOSURES of the purchase price paid for it, at ALUMAX BATH ENCLOSURE'S option.

ALUMAX BATH ENCLOSURES does not make any other representations or warranties, express or implied, including, but not limited to, any implied warranty of merchantability and any implied warranty of fitness for a particular purpose. In no event shall ALUMAX BATH ENCLOSURES be liable for special, direct, indirect, or consequential damages, including, but not limited to, loss or use of profits.

Dealers agree to pass on to its customers and users in writing ALUMAX BATH ENCLOSURE'S Warranty and Remedy as set forth above.

Laws and building and safety codes governing the design and use of bath enclosures vary widely. ALUMAX BATH ENCLOSURES does not control the selection of product configurations, operating hardware or glazing materials, and assumes no responsibility therefor.

INSTALLATION NOTES

Unpack your unit carefully and inspect for freight damage. Lay out and identify all parts using the instruction sheets as a reference. Before discarding the carton, check for small hardware bags that tend to fall to the bottom of the box. If any parts are damaged or missing, refer to the descriptions noted in the instructions when contacting your dealer for replacements.

Handle glazed panels carefully. Tempered glass is difficult to break, but the sharp corners of the panels can damage tile and floor coverings.

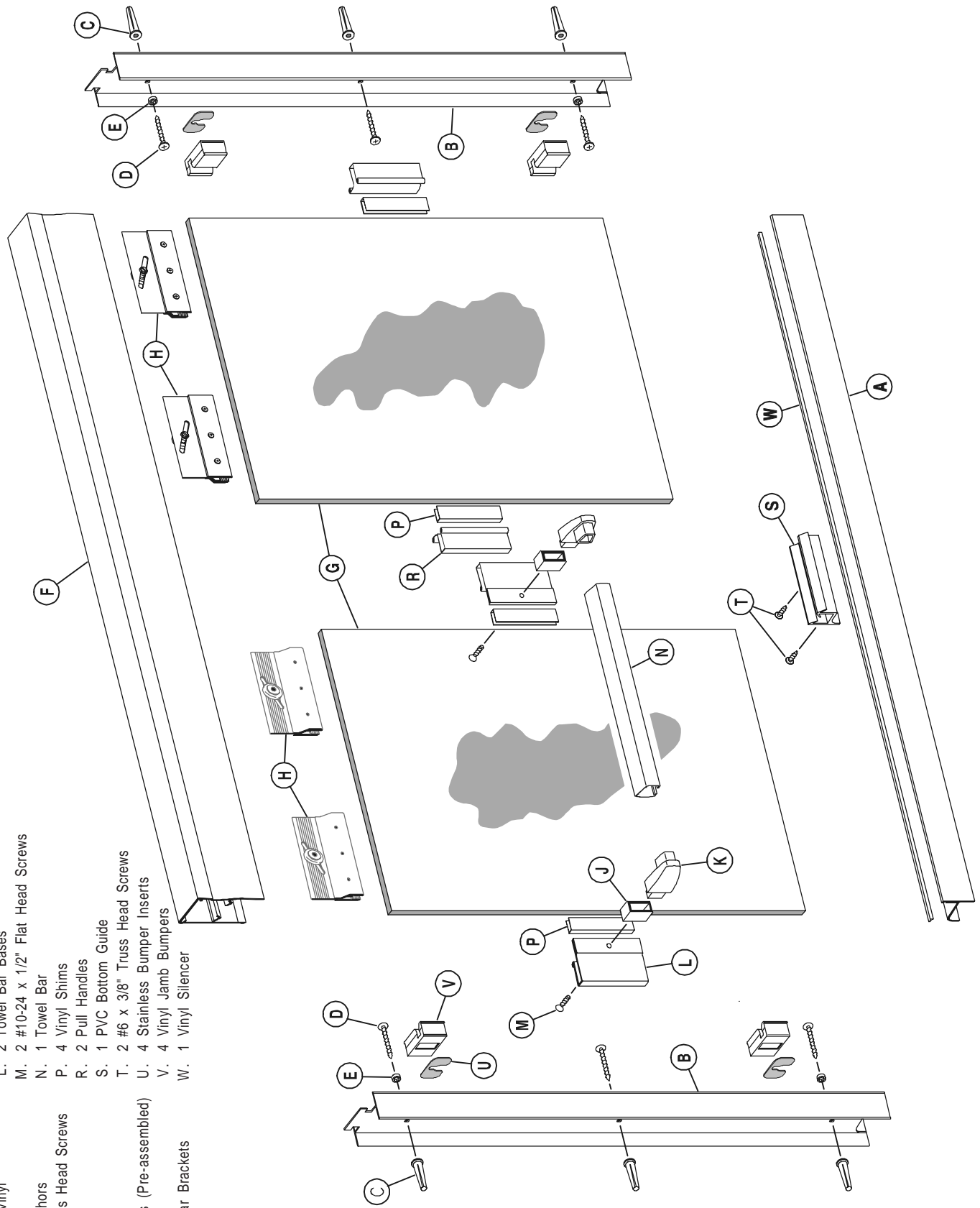
Please wear safety glasses whenever drilling or cutting.

To install your ALUMAX Bath Enclosure you will need the following: tape measure, level, hacksaw, drill, 1/8", 7/64" and 7/32" drill bits, #2 Phillips screwdriver, flat screwdriver, sharp knife, and caulking (clear silicone recommended). Optional tools include a center punch, files, a miter box for cutting parts to length and masking tape for holding parts in place temporarily.

NOTE: Before beginning installation, check the tub rim for level and both walls for plumb. If either are off more than 1/4" to 3/8", you may want to contact your dealer for tapered fillers which can be used to level the tub track or plumb the jambs.

340-350 PARTS LIST

- A. 1 Tub Track with Vinyl
- B. 2 Wall Jamb
- C. 6 Plastic Wall Anchors
- D. 6 #8 x 1 1/2" Truss Head Screws
- E. 4 Nylon Spacers
- F. 1 Header
- G. 2 Glass Lites
- H. 4 Hanger Brackets (Pre-assembled)
- J. 2 Trim Rings
- K. 2 Acrylic Towel Bar Brackets
- L. 2 Towel Bar Bases
- M. 2 #10-24 x 1/2" Flat Head Screws
- N. 1 Towel Bar
- P. 4 Vinyl Shims
- R. 2 Pull Handles
- S. 1 PVC Bottom Guide
- T. 2 #6 x 3/8" Truss Head Screws
- U. 4 Stainless Bumper Inserts
- V. 4 Vinyl Jamb Bumpers
- W. 1 Vinyl Silencer



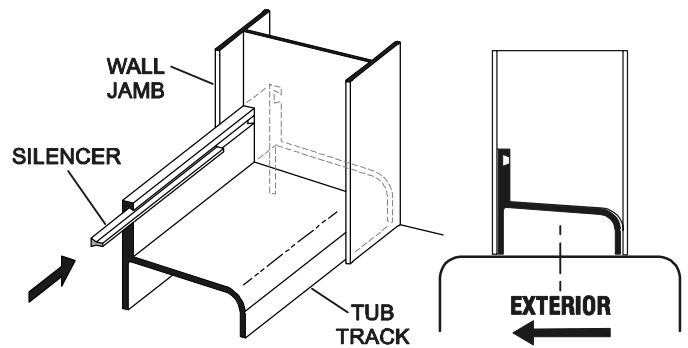
1

Measure the wall-to-wall opening along the center of the tub rim. Cut the tub track [A] 1/16" short of this dimension. An inexpensive miter box available at your hardware store will help you get clean square cuts.

If the vinyl silencer (W) is separate from the tub track (A) slide the silencer into the slot in the tub track.

Position the tub track in the center of the tub rim with the tall leg to the exterior. It may be necessary to file a radius on the ends of the tub track and wall jambs to match the corners of the tub.

Press both wall jambs [B] into position over the tub track. Masking tape can be used to hold parts in place temporarily.



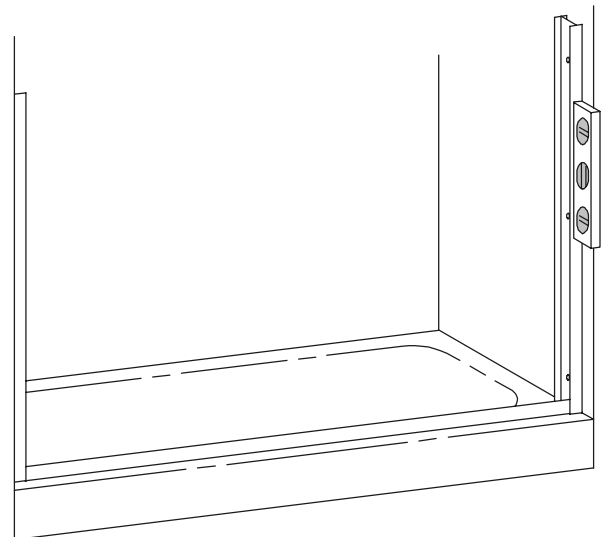
2

Use a level to plumb both wall jambs [B], then mark the pre-drilled hole locations on the wall. Lightly mark along both sides of the tub track [A] with a pencil, then remove all parts.

For tile or marble walls, drill six 7/32" diameter holes and insert the plastic wall anchors [C]. A center punch helps locate the holes accurately.

Attachments to fiberglass or acrylic units can be made in two ways. If a reinforcement is built into the wall of the unit, drill six 1/8" diameter holes and install the screws directly into the reinforcement. If the walls are not reinforced, drill 7/32" holes and install plastic wall anchors or molly bolts (molly bolts not supplied by ALUMAX).

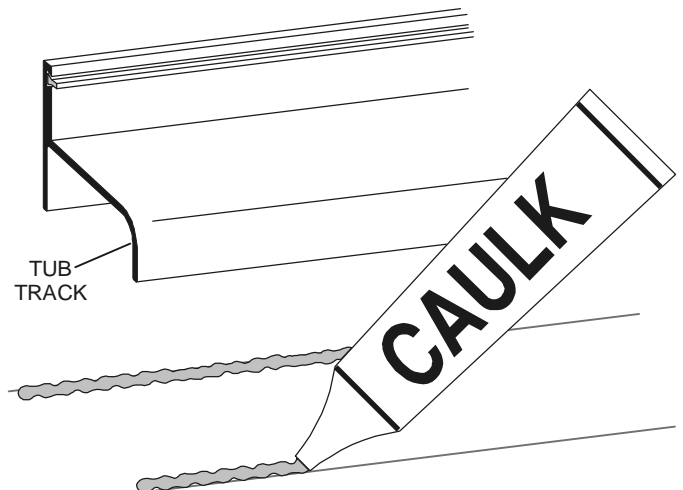
CAUTION: The track should never be screwed to the tub. This will damage the tub and cause leakage.



3

Before replacing the tub track [A], force a slight downward bow in the extrusion. This will ensure the track fits tight to the tub. Run two beads of caulk inside the penciled marks on the tub rim. Place the tub track in the exact position marked in Step #2 and seat it firmly in the caulking.

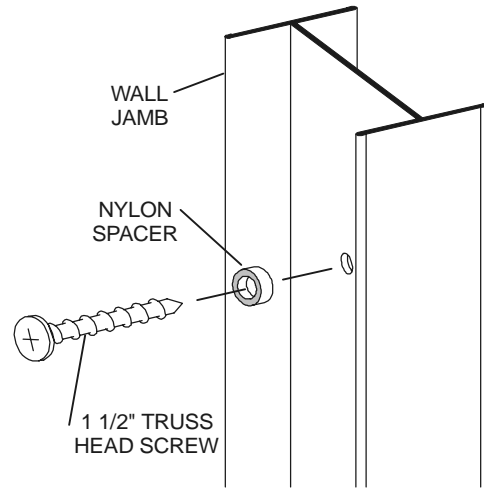
NOTE: Improper caulking will result in leaks.



4

Replace one wall jamb [B] and attach to the wall with a #8 x 1 1/2" truss head screw [D] inserted through the center hole. Slip a nylon spacer [E] over a #8 x 1 1/2" truss head screw and install in the top hole of the wall jamb. Repeat for the bottom hole. Check jamb for plumb and tighten screws.

NOTE: Do not overtighten the jamb screws.



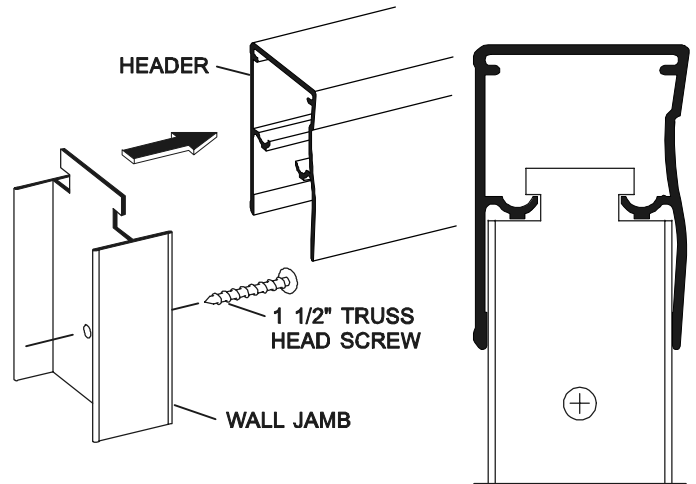
5

This bath enclosure is equipped with safety tee-lock wall jambs. When installed properly, the header is permanently locked to the wall jambs and cannot be accidentally dislodged.

Measure the wall-to-wall opening at the top of the wall jambs [B] and cut the header [F] 1/16" short of this dimension. Check the header for fit.

Slide the safety tee-lock of the unmounted wall jamb into the header. The contoured surface of the header goes to the exterior of the unit.

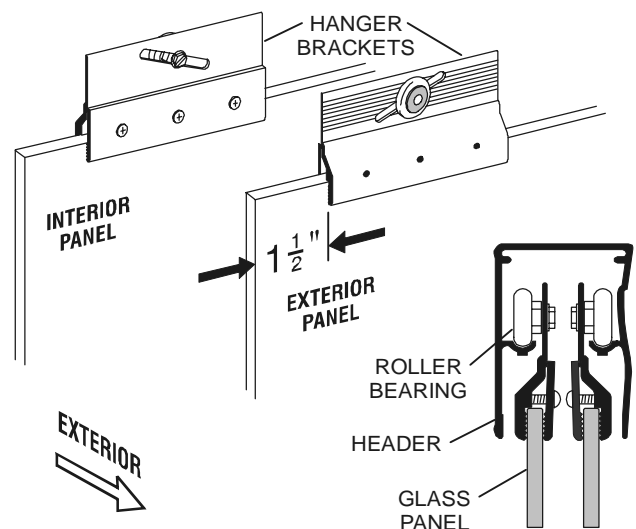
Holding the header at an angle, engage the end onto the mounted wall jamb. Pivot the header into place, then slide the loose wall jamb to the wall and press into position on the tub track. Attach to the wall per instructions in Step #4.



6

Obscure glass lites [G] should be installed with the rough surface of the glass to the exterior of the unit. Note that the hanger brackets [H] are mounted in opposite directions to create an interior and exterior door panel.

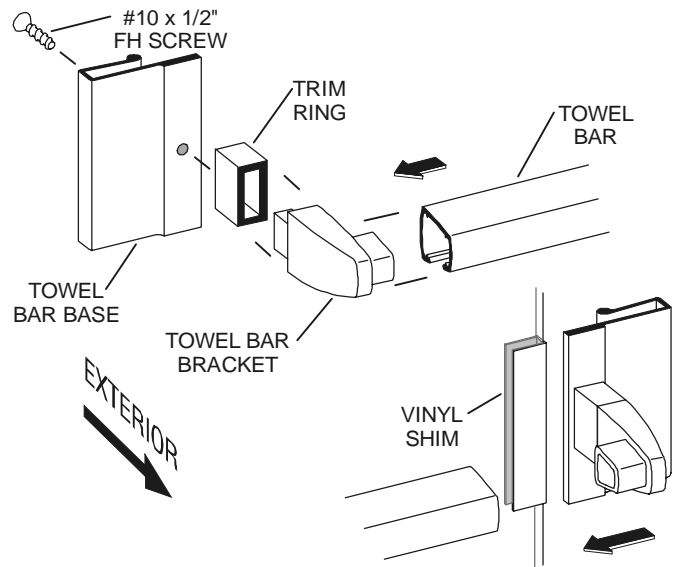
Slide the pre-assembled hanger brackets onto the top edges of the interior and exterior glass lites approximately 1 1/2" from the edge. To insure that the hanger brackets securely grip the glass, tighten the three hanger bracket screws on each bracket evenly until the small hanger bracket cover plate just begins to bend inward slightly from the pressure of the screw heads. Do not tighten beyond this point. For a secure grip each bracket must be tightened in this manner. Check the nylon roller on each bracket for tightness and proper location in the center of the slot.



7

Slide the two trim rings [J] over the acrylic towel bar brackets [K] and attach to the towel bar bases [L] with two #10-24 x 1/2" flat head screws [M]. Force the towel bar [N] onto one of the brackets. At the center of the exterior glass panel, press the base (with towel bar attached) and the vinyl shim [P] over the glass. Install the remaining base in a similar manner, locking the towel bar into place between the two brackets.

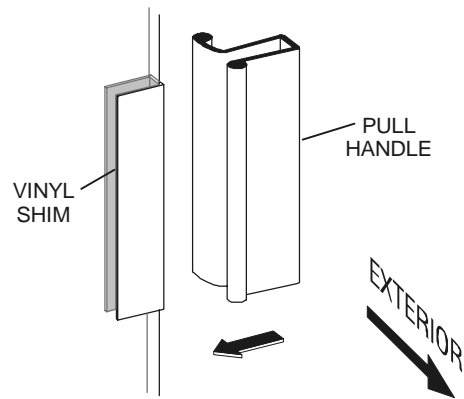
NOTE: When using 1/4" glass it is recommended to use a small amount of clear silicone sealant and discard the vinyl shims.



8

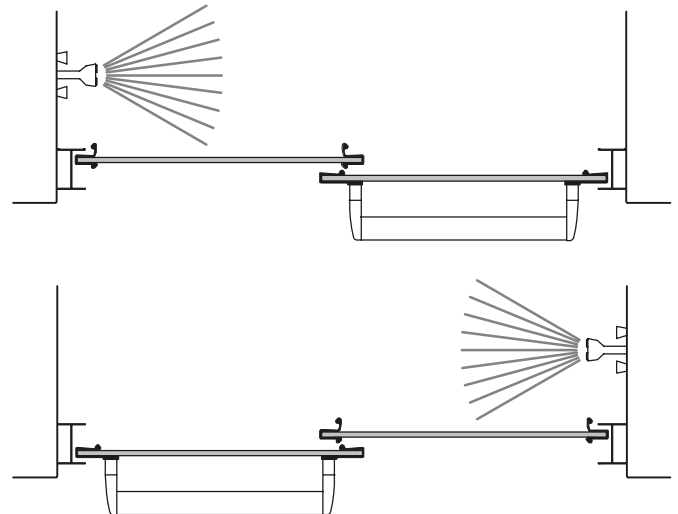
Press the two pull handles [R] and vinyl shims [P] into place on the interior glass panel at the same height as the towel bar bases [L] were mounted on the exterior panel.

NOTE: When using 1/4" glass it is recommended to use a small amount of clear silicone sealant and discard the vinyl shims.



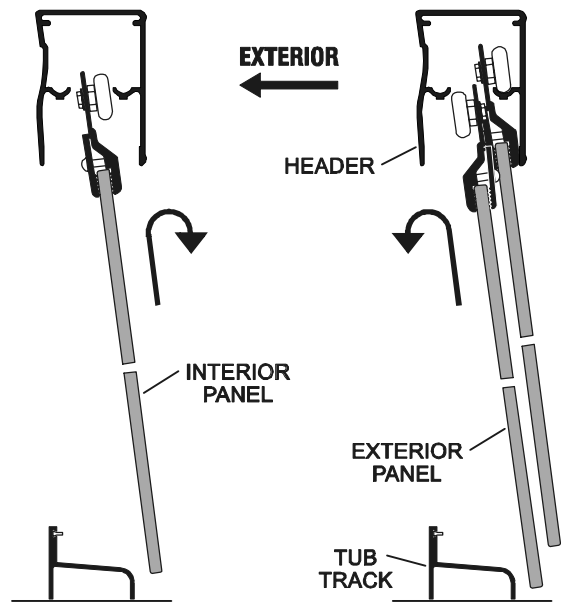
9

Before installing the door panels, the proper orientation should be determined. For maximum waterproofing, the interior panel should always be positioned closest to the shower head, as shown in this illustration.



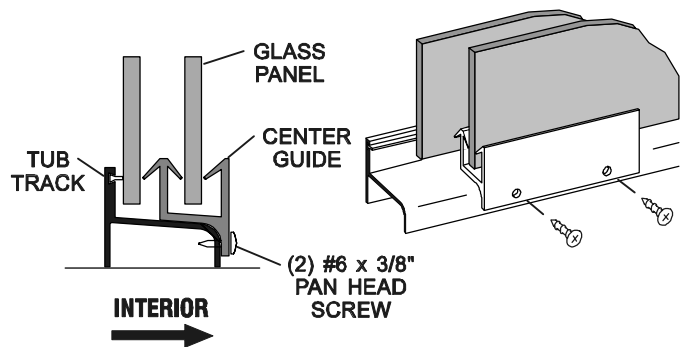
10

Lift the interior glass panel into position with the rollers engaging the groove in the header [F]. Repeat for the exterior panel. If panels are not parallel to their respective wall jambs, remove and adjust the rollers up or down in their slots to compensate.



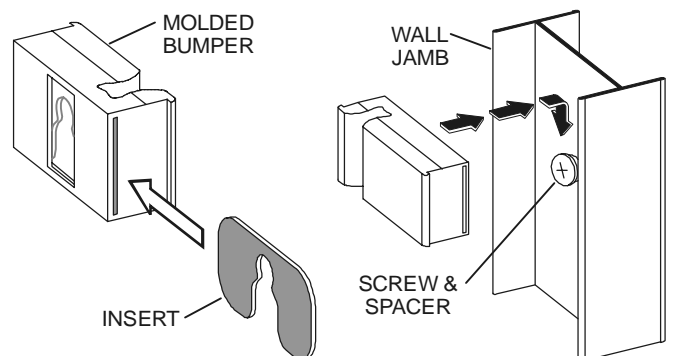
11

Locate the nylon bottom guide [S] in the middle of the tub track [A] with the glass panels in the position shown. With a 7/64" bit, drill two holes into the V-groove through the mounting holes in the guide. Install the bottom guide with two #6 x 3/8" pan head screws [T] thru the drilled holes as shown.



12

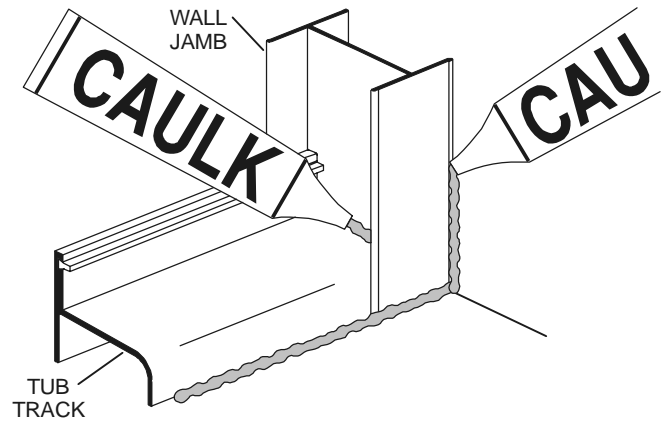
Slide the stainless steel bumper inserts [U] into the four soft vinyl jamb bumpers [V]. Align the slots in the bumpers with the glass panels and snap the bumpers downward over the top and bottom wall jamb screws [D] with the spacers [E].



13

Neatly caulk each end of the tub track [A] where it meets the wall jambs [B] and the interior edge of the wall jambs as shown. Run a bead of caulking along the interior edge of the tub track.

NOTE: The caulking should be allowed to cure for twenty-four hours before using your new bath enclosure.



To keep your Alumax Bath Enclosure looking like new we recommend the Alumax ShowerBright Consumer Maintenance Kit. The Consumer Maintenance Kit surface should be applied every 45 to 60 days. To purchase or for more information contact your dealer. Our dealers have the materials to do a professional ShowerBright restoration. For best results professional restorations should be performed a maximum of once every three months. Contact your dealer for more information. New units with factory supplied ShowerBright coating have a limited lifetime warranty. For daily cleaning the simplest and preferred method is to wash the unit with clean water and dry with a soft cloth. Do not use scouring pads, sharp instruments, or acid-based cleansers to clean the unit.

Consumer kits will be sold direct, consumers will need to go to dealers for professional restoration and new units can be purchased with the permanent coating. Consumer kit materials need to be applied every 45 to 60 days, pro materials to be applied once quarterly max and factory has limited lifetime.