



# ALUMAX

## BATH ENCLOSURES

An Alcoa Company ®

Tel: 800-643-1514

Fax: 870-234-3181

[www.alumaxbath.com](http://www.alumaxbath.com)

# **390c CONTINUOUS HINGE FRAMELESS DOOR KIT**

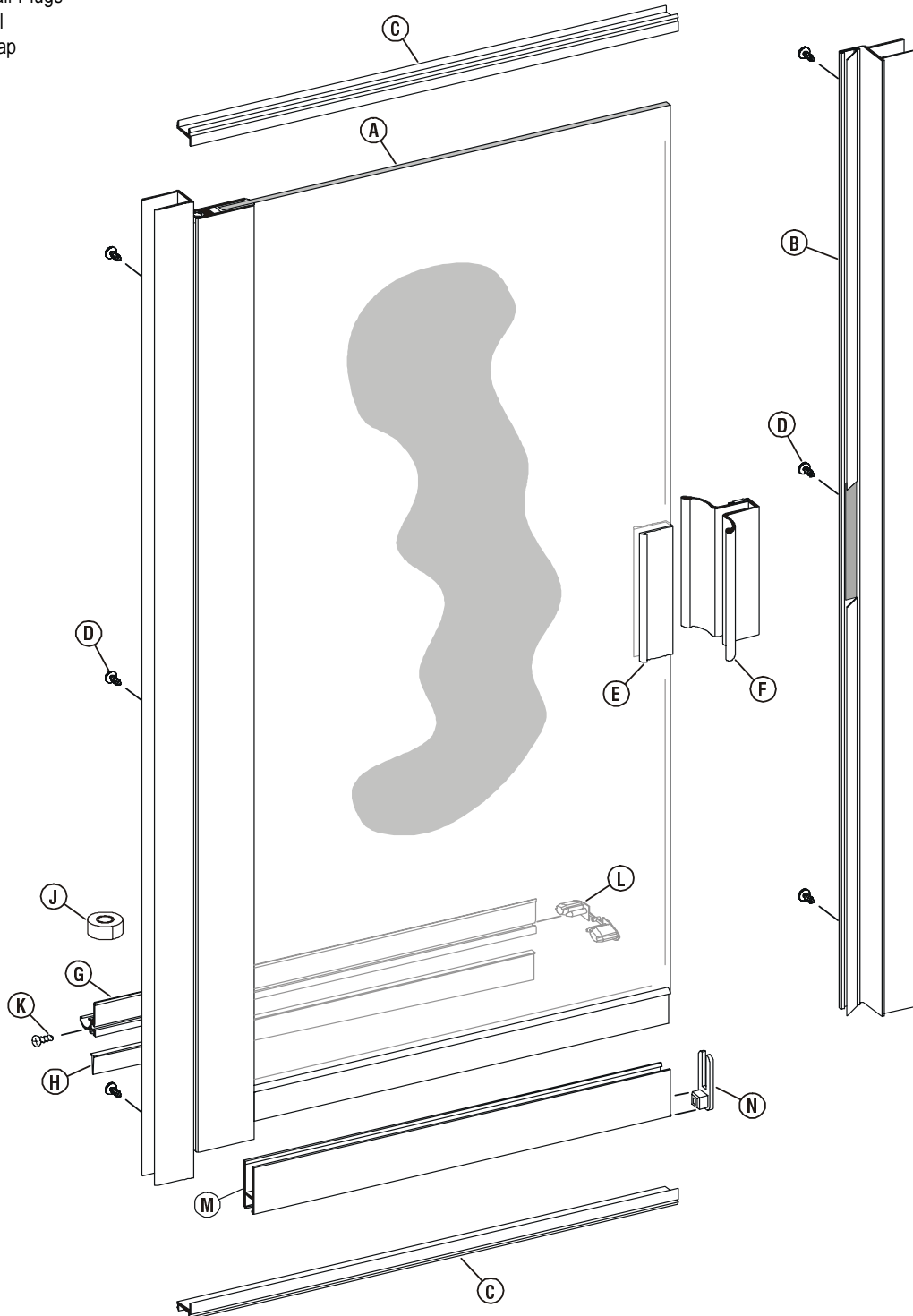
## **STIKSTALL INSTRUCTION SUPPLEMENT**

This Alumax 390c Continuous Hinge door panel kit is designed to be installed in our StikStall framework with an inline panel (391), a return panel (392), an inline and a return panel (393), a neo-angle unit (394), or between two inline panels (395).

To ensure correct installation, this instruction supplement (packed with a glazed or KD door panel kit) is designed to be used with a StikStall Installation Instruction sheet (391, 392, 393, 394, 395) that will be packaged with the corresponding StikStall frame kit. Each step in the primary instruction sheet will indicate whether it applies to all door types or if this supplement should be used.

### 390 PARTS LIST

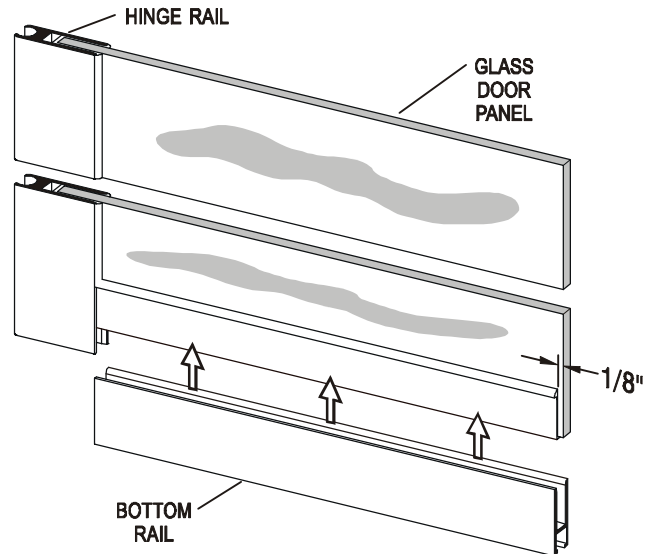
- \*A. 1 Glazed Door Panel
- \*B. 1 Strike Jamb with Magnet
- \*C. 2 Snap-in Fillers
- \*D. 6 #8 x 1/4" Truss Head Screws
- \*E. 1 Handle Vinyl
- \*F. 1 Pull Handle
- \*G. 1 Drip Rail
- \*H. 1 Tapered Drip Vinyl
- \*J. 1 Roll of Double Stick Tape
- \*K. 1 #6 x 3/8" Pan Head Screws
- \*L. 1 Set Drip Rail Plugs
- \*M. 1 Bottom Rail
- \*N. 1 Rail End Cap



**1**

**NOTE:** Obscure glass doors should be installed with the rough surface of the glass to the exterior of the unit. Silk Screened or etched glass doors should be installed with the patterned surface to the inside.

Determine which end of the door will be the bottom. Using a mallet or a hammer and wood block (never a hammer alone), carefully drive the bottom rail over the bottom edge of the glass and vinyl, snug to the factory installed vertical rail. Bottom rail should be set back from the strike edge of the door. Trim the excess vinyl even with the ends of the rails.

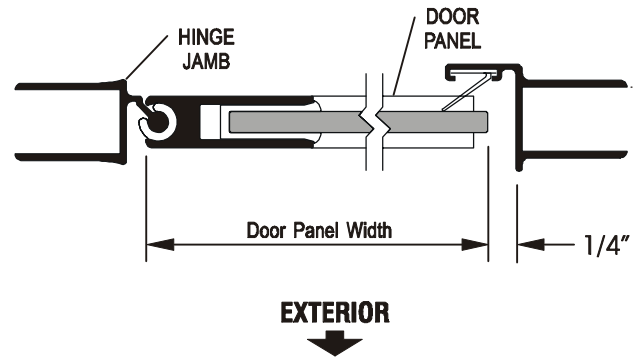


**2**

Press the hinge jamb/door panel assembly [\*A] and strike jamb [\*B] (with magnetic strip) over the wall jamb and/or framing posts. Refer to Step #1 of the STIKSTALL instruction sheet for the proper handing of the door.

Adjust the door panel assembly so there is 1/4" clearance between the strike jamb and the strike edge of the glass door panel in the closed position. Mark the location of the hinge jamb on the wall jamb (or post).

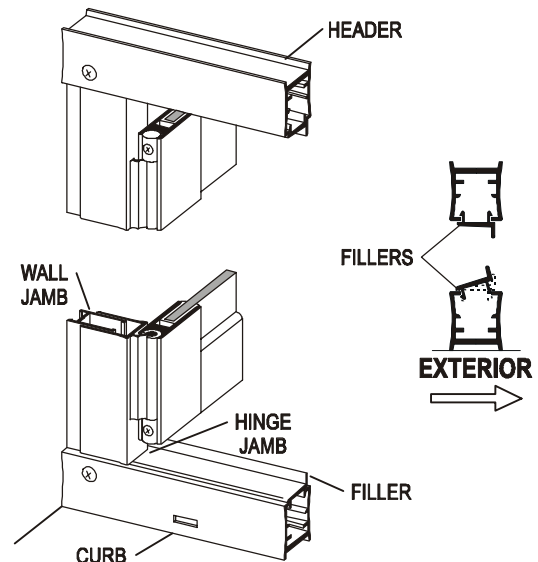
**NOTE:** The magnetic strip on the strike jamb must face the exterior and the door panel must open outward.



**3**

Snap both fillers [\*C] into the curb and header between the hinge and strike jambs with the raised lips to the exterior. Center the curb filler between the hinge and strike jamb (use masking tape to hold in position).

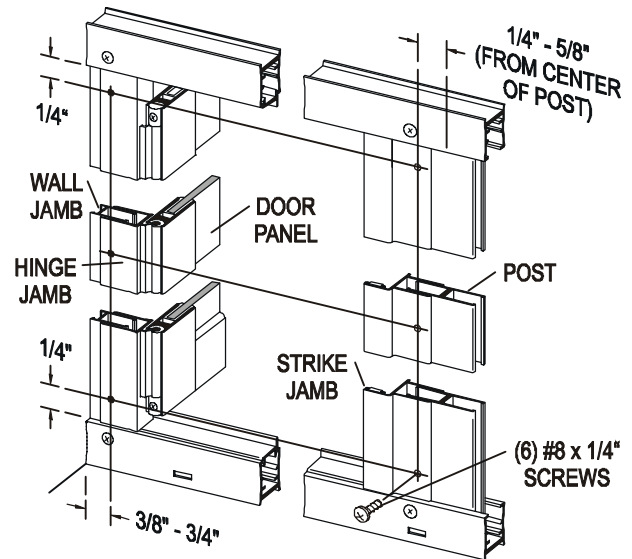
**NOTE:** The snap-in fillers should be exactly 7/16" longer than the door panel width.



## 4

Pull the bottom end of the hinge jamb tight to the curb filler [\*C] and plumb the jamb. Drill two 1/8" holes thru the hinge jamb and into the wall jamb (or post) 3/8" to 3/4" from the wall and approximately 1/4" vertically from the ends of the jamb. Drill a third hole centered between the first two and enlarge the outer holes with a 3/16" drill for clearance on the self-tapping screws. Attach the hinge jamb/door panel permanently with three #8 x 1/4" truss head screws [\*D].

Slide the header filler [\*C] tight against the hinge jamb. Push the strike jamb [\*B] tight against the fillers top and bottom. With the hinge jamb plumb and both fillers tight between the two door jambs, the strike jamb also will be plumb and parallel to the hinge jamb. Attach the strike jamb in the same manner as the hinge jamb.

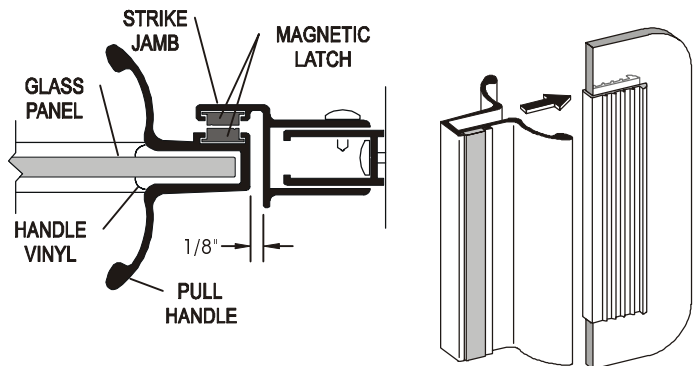


## 5

Slide the door pull handle [\*F] with magnet onto the strike edge of the door panel. Close the door and slide the handle up or down until the two magnetic strips are aligned. Use a pencil or masking tape to mark the location of the handle on the door.

Slip the door handle vinyl [\*E] onto the door between the marks and carefully drive the door handle onto the door panel. Spraying glass cleaner or water onto the vinyl will make assembly easier.

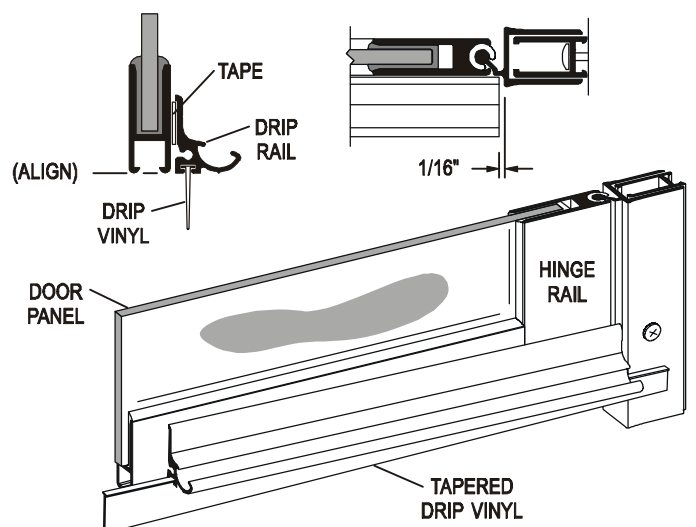
Close the door and check for proper operation of the magnetic catch.



## 6

Cut the drip rail [\*G] to the length of the bottom rail plus 1 1/4". Clean the inside edge of the bottom door rail and the flat side of the drip rail thoroughly to ensure proper adhesion of the double stick tape [\*J]. Unroll the tape and carefully attach it to the back of the drip rail (do not peel the tape backing yet). Insert the tapered drip vinyl [\*H] into the drip rail. Position the drip rail flush with the bottom of the door panel, 1/16" from the hinge jamb, then raise the strike side until the bottom edge of the drip vinyl is parallel to the curb filler [\*C]. Mark the location of each end of the drip rail with a pencil.

**NOTE: Cleaners with alcohol content can dissolve the adhesive that attaches the drip rail. To prevent this possibility, place a small bead of clear sealant at the top of the drip rail where it is attached to the bottom rail.**



---

---

**7**

Adjust the drip vinyl [\*H] by sliding it left or right until it just touches the curb. Trim the vinyl flush with the hinge side and notch 1/2" longer than the drip rail [\*G] as shown on the strike side. Slide the vinyl into the drip rail and secure it on the hinge side of the drip rail with one #6 x 3/8" truss head screw [\*K].

The drip plug [\*L] is supplied with a left and right hand plug together. Break the two pieces apart and insert the appropriate plug into the high (strike) side of the drip rail. Discard the unused drip plug. Peel off the tape backing [\*J] and carefully press the drip rail to the door in the marked position.

