



ALUMAX

BATH ENCLOSURES

An Alcoa Company ®

Tel: 800-643-1514

Fax: 870-234-3181

www.alumaxbath.com

790 CONTINUOUS HINGE FRAMED DOOR KIT

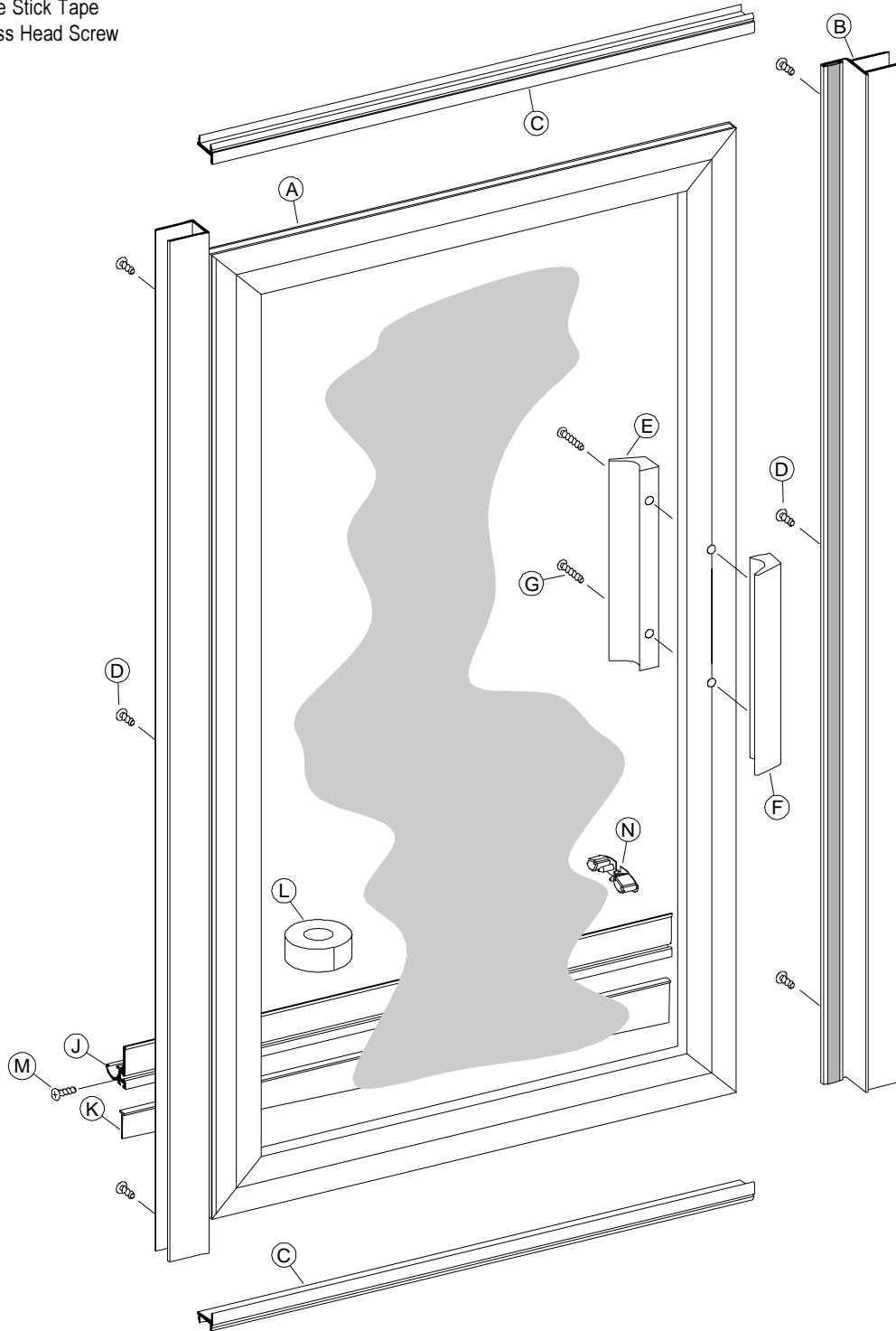
STIKSTALL INSTRUCTION SUPPLEMENT

This Alumax 790 Continuous Hinge door panel kit is designed to be installed in our StikStall framework with an inline panel (791), a return panel (792), an inline and a return panel (793), a neo-angle unit (794), or between two inline panels (795).

To ensure correct installation, this instruction supplement (packed with a glazed or KD door panel kit) is designed to be used with a StikStall Installation Instruction sheet (791, 792, 793, 794, 795) that will be packaged with the corresponding StikStall frame kit. Each step in the primary instruction sheet will indicate whether it applies to all door types or if this supplement should be used. If your StikStall Instruction Sheet does not mention the use of a supplement before Step #1, then contact your dealer for the proper instruction sheet.

790 PARTS LIST

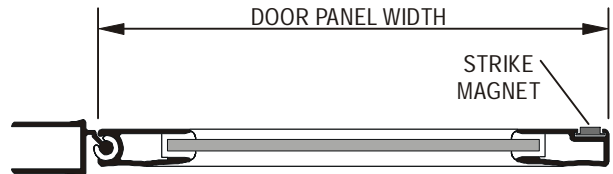
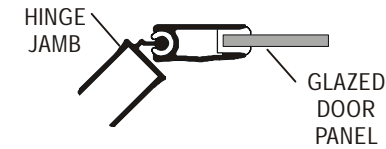
- *A. 1 Glazed Door Panel
- *B. 1 Strike Jamb with Magnet
- *C. 2 Snap-In Fillers
- *D. 6 #8 x 1/4" Truss Head Screws
- *E. 1 Interior Door Handle
- *F. 1 Exterior Door Handle
- *G. 2 #6 x 11/4" Round Head Screws
- *J. 1 Drip Rail
- *K. 1 Tapered Drip Vinyl
- *L. 1 Roll of Double Stick Tape
- *M. 1 #6 x 3/8" Truss Head Screw
- *N. 2 Drip Plugs



1

Press the hinge jamb/door panel assembly [*A] and strike jamb [*B] (with magnetic strip) over the wall jamb and/or framing posts. Refer to Step #1 of the STIKSTALL instruction sheet for the proper handing of the door.

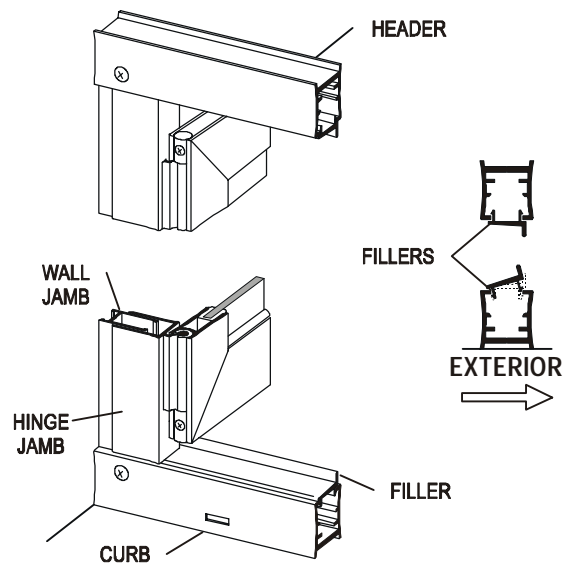
NOTE: The magnetic strip on the strike jamb must face the exterior and the door panel must open outward.



2

Snap both fillers [*C] into the curb and header between the hinge and strike jambs with the raised lips to the exterior. Center the curb filler between the hinge and strike jamb (use masking tape to hold in position).

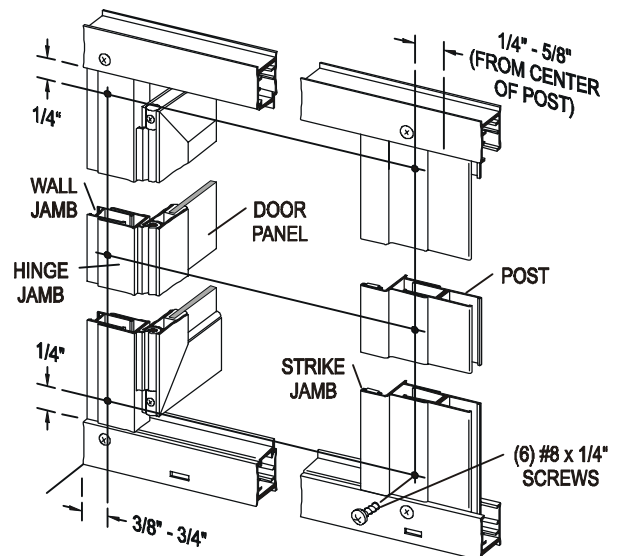
NOTE: The snap-in fillers should be exactly 5/16" longer than the door panel width.



3

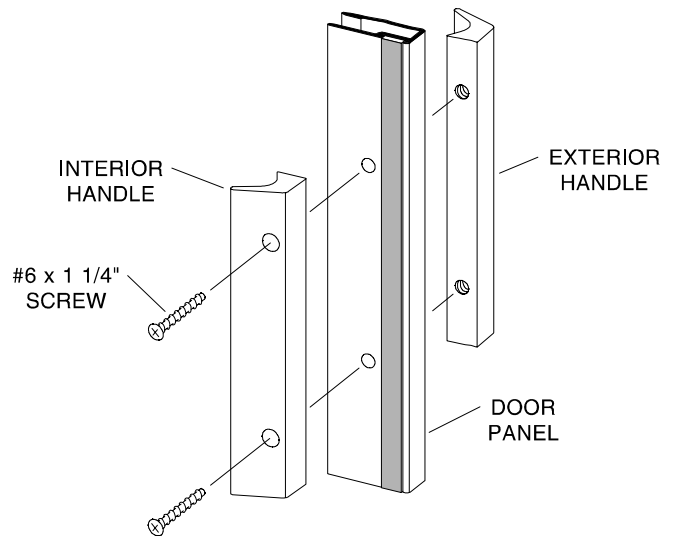
Pull the bottom end of the hinge jamb tight to the curb filler [*C] and plumb the jamb. Drill two 1/8" holes thru the hinge jamb and into the wall jamb (or post) 3/8" to 3/4" from the wall and approximately 1/4" vertically from the ends of the jamb. Drill a third hole centered between the first two and enlarge the outer holes with a 3/16" drill for clearance on the self-tapping screws. Attach the hinge jamb/door panel permanently with three #8 x 1/4" truss head screws [*D].

Slide the header filler [*C] tight against the hinge jamb. Push the strike jamb [*B] tight against the fillers top and bottom. With the hinge jamb plumb and both fillers tight between the two door jambs, the strike jamb also will be plumb and parallel to the hinge jamb. Attach the strike jamb in the same manner as the hinge jamb.



4

Attach the interior door handle [*E] and the exterior door handle [*F] to the door panel [*A] with two #6-32 x 1 1/4" round head screws [*G].

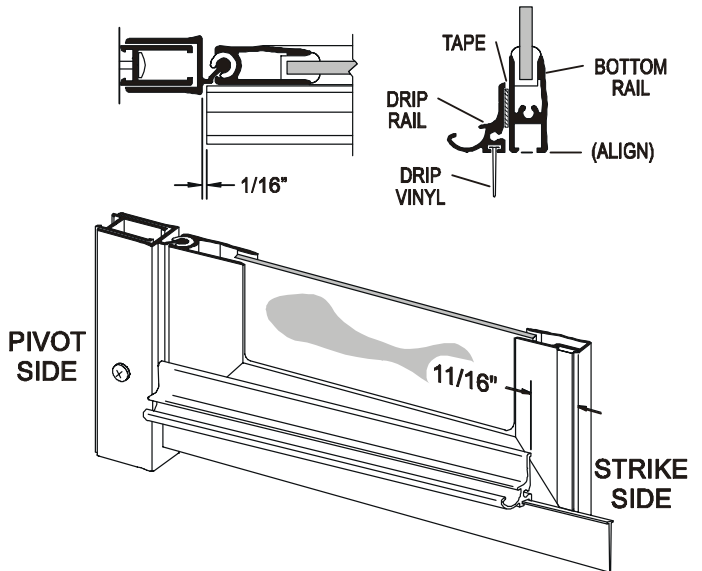


5

Cut the drip rail [*J] to the length of the bottom rail minus 11/16". Clean the bottom door rail and the drip rail thoroughly to ensure proper adhesion. Unroll the double stick tape [*L] and carefully apply it to the back of the drip rail (do not peel the tape backing yet).

Insert the tapered drip vinyl [*K] into the drip rail. Position the drip rail flush with the bottom and pivot side of the door panel [*A], then raise the strike side until the bottom edge of the drip vinyl is parallel to the curb filler [*C]. Mark the location of each end of the drip rail.

NOTE: Cleaners with alcohol content can dissolve the adhesive that attaches the drip rail. To prevent this possibility, place a small bead of clear sealant at the top of the drip rail where it is attached to the bottom rail.



6

Adjust the drip vinyl [*K] by sliding it left or right until it just touches the curb filler [*C]. Trim the vinyl (flush with the pivot end and notch 1/4" longer than the drip rail as shown on the strike end). Secure it with one #6 x 3/8" truss head screw [*M] in the pivot end of the drip rail.

The drip plug [*N] is supplied with a left and right hand plug together. Break the right and left drip plugs apart and insert the appropriate plug into the high (strike) side of the drip rail. Discard the unused drip plug. Peel off the tape backing and carefully press the drip rail [*J] to the door in the marked position.

