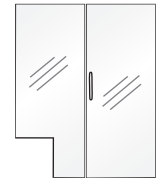


www.alumaxshowerdoor.com

PL91 PROLINE HEAVY GLASS DOOR / PANEL



Full Showers



Bench Seat
Showers



!WARNINGS!

INSTALLATION WARNINGS

- a) Alumax Bath Enclosures by Sapa are intended to be installed by an experienced installer. If you need assistance with locating an experienced installer, contact us at 1.800.643.1514 or go to our website www.alumaxshowerdoor.com to access our "dealer locator". If a dealer is not listed in your area, call or send us an e-mail and we will find one for you.
- b) The enclosure must be properly installed per our published installation instructions. If NOT, the unit will not operate as designed which will cause hardware failure, glass breakage, leaking, other unidentified issues, and may cause nullification of warranty.
- c) Unpack your unit carefully and inspect for freight damage. Lay out and identify all parts using the instruction sheets as a reference. Before discarding the carton, check for small hardware bags that tend to fall into the bottom of the box. If any parts are damaged or missing, refer to the descriptions noted in the instructions when contacting your dealer for replacements.
- d) Before beginning installation, check the tub rim for level and both walls for plumb. If either is off more than ¼" to 3/8", you should use a tapered filler which can be used to level the tub track or plumb the wall jambs.
- e) Wear safety glasses when drilling or cutting to avoid injury to the eyes.
- f) When drilling holes in ceramic tile or marble, use a center punch and hammer to carefully break the surface glaze so the drill can start without skidding. A skidding drill can cause damage to the surface and can be dangerous (risk of personal injury).
- g) Use caution and proper technique whenever using tools to avoid damage to property and/or personal injury.

GENERAL USAGE AND HANDLING WARNINGS

- a) Shower doors are not leak-proof. They are designed to direct water to the interior of the tub or shower under normal conditions. Excessive water pressure or directing the shower head directly at the door can result in leaks.
- b) Do not hang on towel bars or handles or use them to support your weight getting in and out of the bathtub or shower. Towel bars and handles are not intended to be used as grab bars for assistance getting in and out of the shower or bathtub. They are not intended to support a person's weight and could break.
- c) Do not use excessive force when opening and closing the enclosure. Excessive force can lead to glass breakage or other damage to the enclosure. Make sure wall jamb bumpers are securely fastened in place per the installation instructions.

GLASS USAGE AND HANDLING WARNINGS

- a) **TEMPERED GLASS CANNOT BE CUT.** Attempting to cut tempered glass will result in the glass breaking or shattering.
- b) **USE CAUTION WHEN HANDLING GLASS PANELS.** Safety tempered glass is very resistant to breakage, but it can still break if unequal pressure is placed on it during installation (or if cutting of the glass is attempted). In addition, the sharp corners of the panels can damage tile and floor coverings or cause injury.
- c) **PROTECT THE EDGES OF THE GLASS.** Never let the edge of the glass come in direct contact with concrete, tile, marble or other hard surfaces that may nick, or damage the glass edge in any way as this damage may cause a delayed blow. Always check the edge of the glass for nicks, slivers, rough areas, or clam shelling. Do not install the glass if these conditions are present.
- d) Alumax Bath Enclosures by Sapa is not liable for glass breakage of any kind.

CARE AND CLEANING WARNINGS

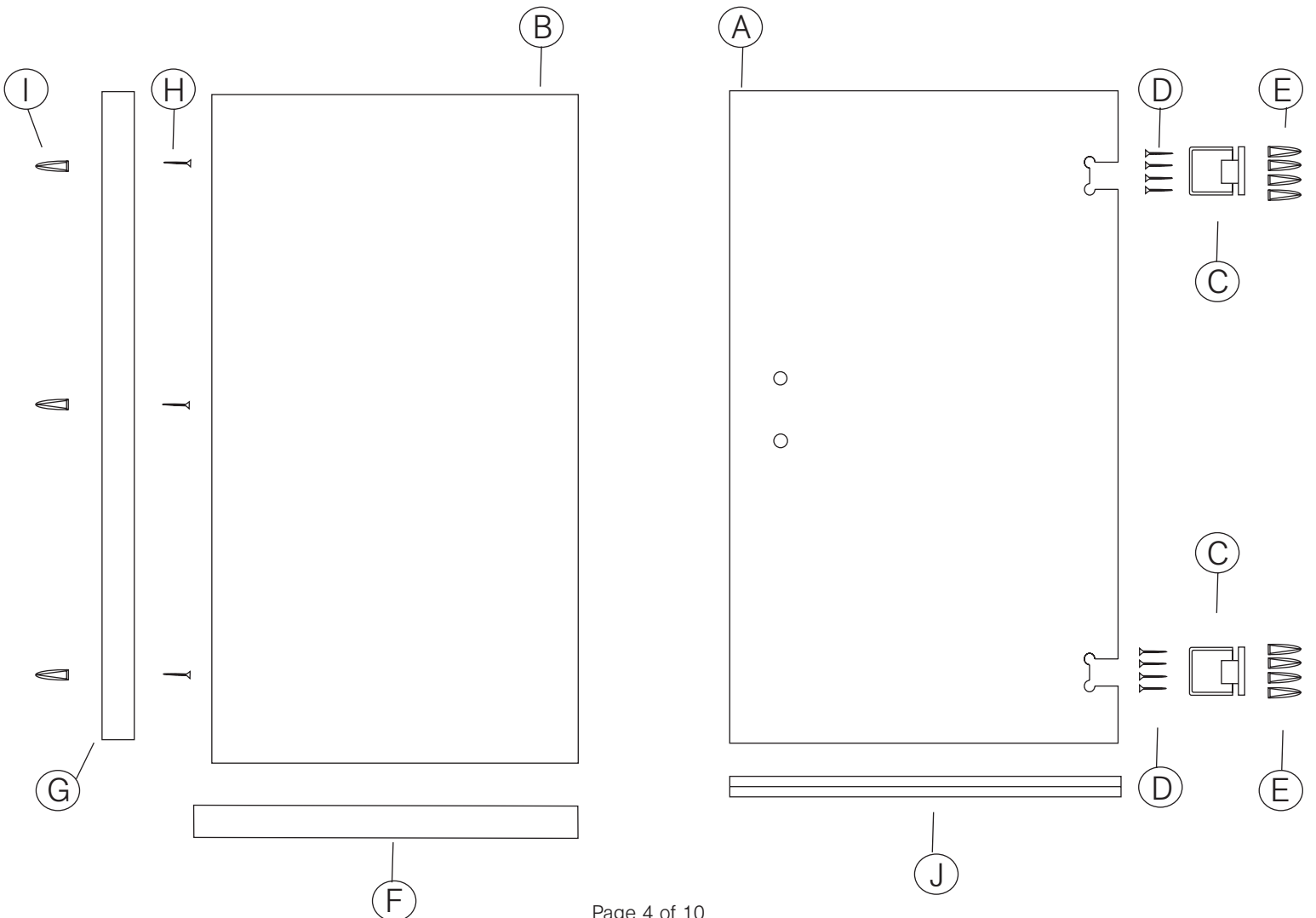
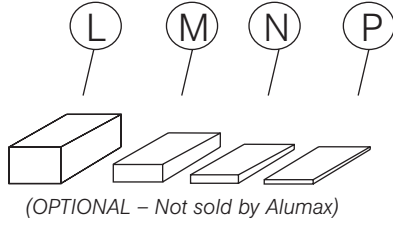
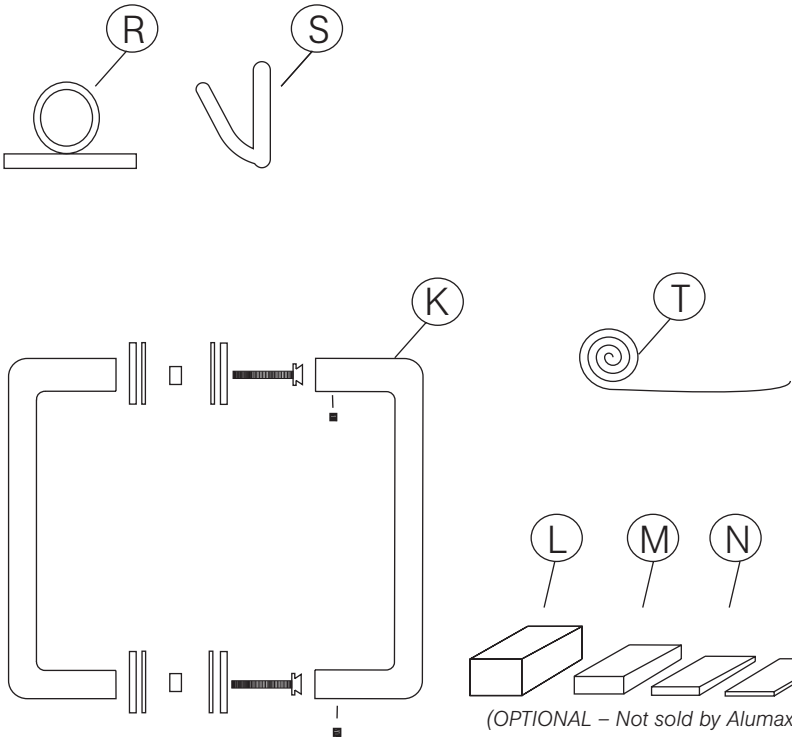
- a) The simplest and preferred method of cleaning your unit is by washing it with clean water and drying with a soft cloth.
- b) If soil is still present after drying, a non-abrasive cleanser with a pH of seven to eight may be used. Comet Bathroom Cleaner® has been tested and is recommended by the Bath Enclosure Manufacturers Association (BEMA).
- c) Contact your dealer for more information about glass coatings that will help keep the glass clean.
- d) **DO NOT USE SCOURING PADS, SHARP INSTRUMENTS, BLEACH OR ACID-BASED CLEANSERS TO CLEAN THE UNIT AS THEY MAY DAMAGE THE UNIT.**

LIMITED WARRANTY

- a) Alumax Bath Enclosures by Sapa provides a LIMITED WARRANTY on material and workmanship only. Primary glass and component suppliers must be included in all warranty claims.
- b) Alumax Bath Enclosures by Sapa is not responsible for glass breakage.
- c) Products must be handled, installed and maintained per our published Warning and Installation instructions or the warranty may be nullified.
- d) The Limited Warranty applies to the original owner only, and is not transferable.
- e) Please visit our website www.alumaxshowerdoor.com or call us at 1.800.643.1514 to get copies of our published warranty, installation and warranty policies.

Parts List

- A) Door Panel
 - B) Side Panel
 - C) 2 Hinges
 - D) 8 Polished Pan Head Screws
 - E) 8 1/4" Anchors (Grey)
 - F) Glazing Channel w/ double stick tape
 - G) Glazing Wall Channel w/ 3 holes
 - H) 4 2" Pan Head Screws
 - I) 4 1/4" Anchors (Blue)
 - J) Door Sweep
 - K) 8"x8" Handle
 - L) (2) 7/16" Black Spacers - *OPTIONAL**
 - M) (2) 1/4" Clear Setting Blocks - *OPTIONAL**
 - N) (2) 1/8" Clear Setting Blocks - *OPTIONAL**
 - P) (2) 1/16" Setting Blocks - *OPTIONAL**
 - R) 1/4" Bulb Vinyl
 - S) Angle Vinyl
 - T) Double Stick VHB Tape
- *Not sold by Alumax*

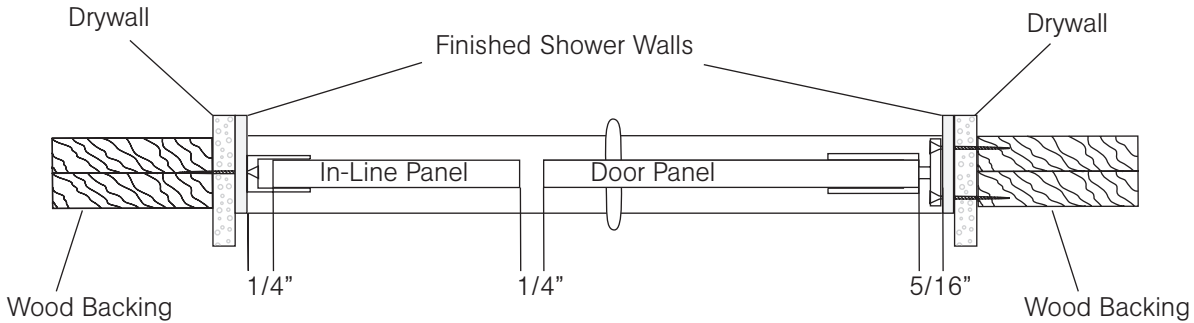


1 HOW TO SIZE GLASS

The glass is sized to fit the finished opening by using this formula:

$$\text{Glass Side Panel} = \text{Finished Shower Opening dimension} - \text{Door Glass Width} - 13/16''$$

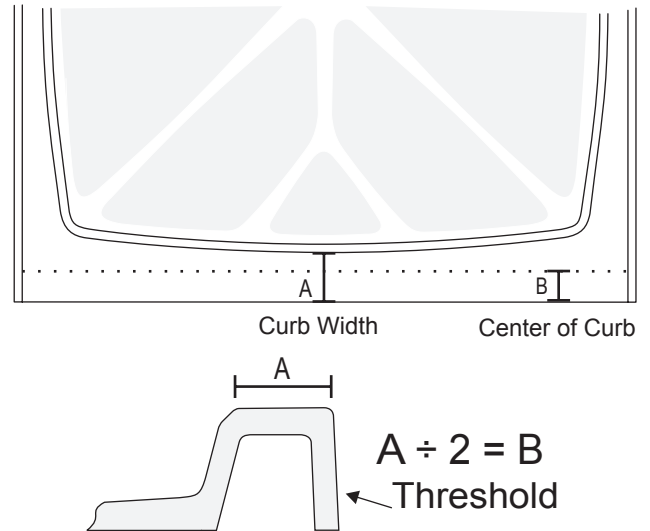
To securely install this door there must be wood backing inside the hinge wall.



2 FINDING CENTERLINE OF THRESHOLD

The door will need to be placed so it rests on center of the threshold.

To find the center you will need to measure the width of the threshold (A) and then divide that by 2 = Centerline (B)
Mark the Centerline using a pencil.



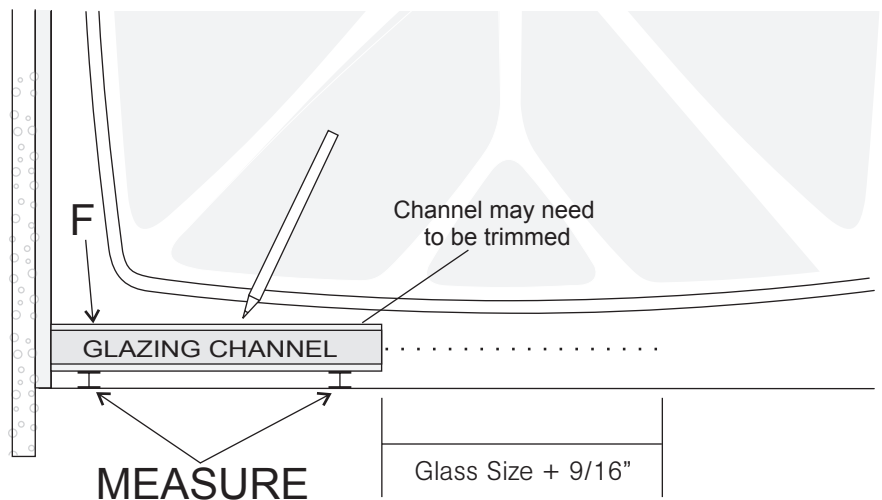
3 LINING UP HORIZONTAL GLAZING CHANNEL

Place glazing channel (F) onto threshold and line it up with the centerline (this channel will need to be removed in a later step so do not adhere it to the threshold yet)

Make sure glazing channel (F) is parallel to the front of the shower threshold and is also centered on the shower threshold.

With glazing channel set in place, use a pencil to mark its position on the threshold

A piece of painters tape can be used to hold glazing channel into place

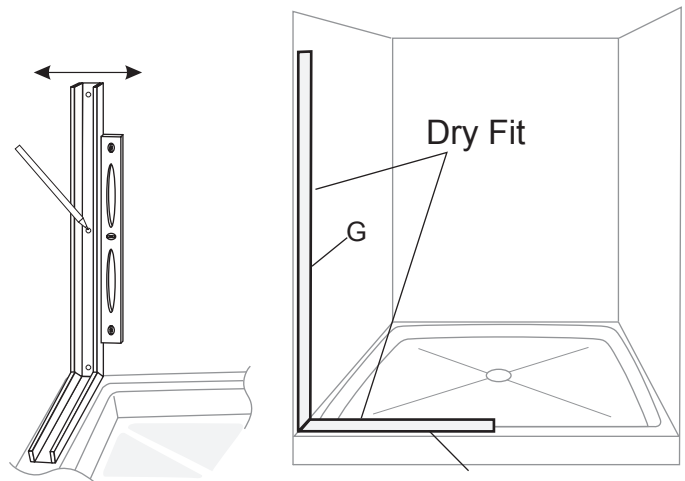


4 LINING UP VERTICAL GLAZING CHANNEL

Place vertical glazing channel (G) on top of the bottom glazing channel (F) and line them up where they meet in the bottom corner.

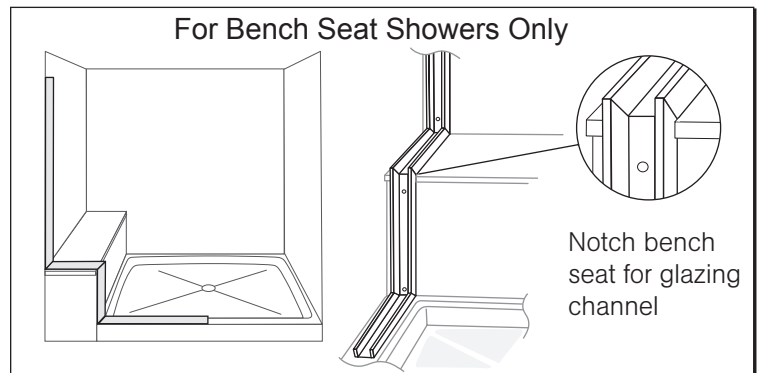
Using a level, plumb the vertical glazing channel. This is a very important step so take time to make sure the vertical channel is perfectly plumb.

Mark holes for drilling and remove both glazing channels.



Special Instructions For Bench Seat Showers

For showers with bench seats, the glazing channel will need to be installed on the vertical face of the seat and also along the top part of the seat as seen in the picture. If there is an overhang on the seat it will need to be notched to allow for the channel installation. The channels supplied with the door should already be cut to fit your shower, but extra channel is included if needed.



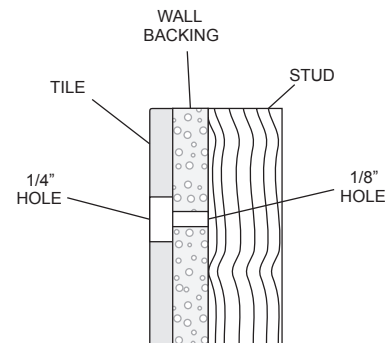
5 PRE-DRILLING FOR GLAZING CHANNELS

Pre-drill holes through the shower wall using a 1/4" drill bit. Pre-drill through wall board and into the wood backing using 1/8" drill bit.

Note: If there is no wood backing, use the anchors provided.

Clean out the holes then fill with silicone.

Clean all dust and debris from the shower wall and the threshold to prepare for mounting the channels.



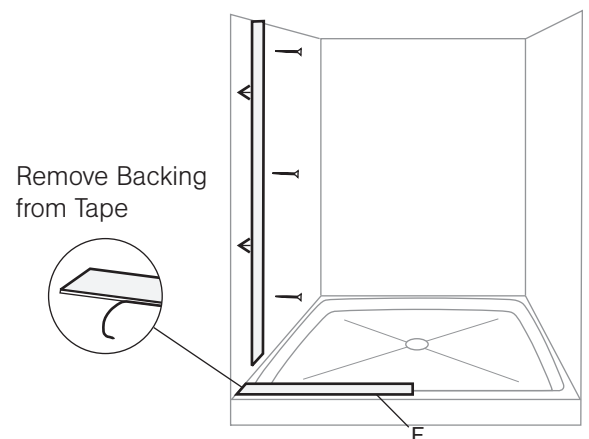
6 INSTALLING THE CHANNELS

Install the bottom glazing channel (F) first. Pull the VHB tape backing from the channel and set it in place on the threshold, positioning it in the center of the threshold. Make sure to position it carefully as the tape is very strong!

Press glazing channel (F) down and hold for 10 - 15 sec.

Install the vertical glazing channel (G) by screwing it to the shower wall using the 2" panhead screws (H).

Note: Silicone may be used during channel installation to achieve maximum leak prevention. If silicone is used to hold the bottom channel, you must wait until it is fully cured before continuing with the installation.



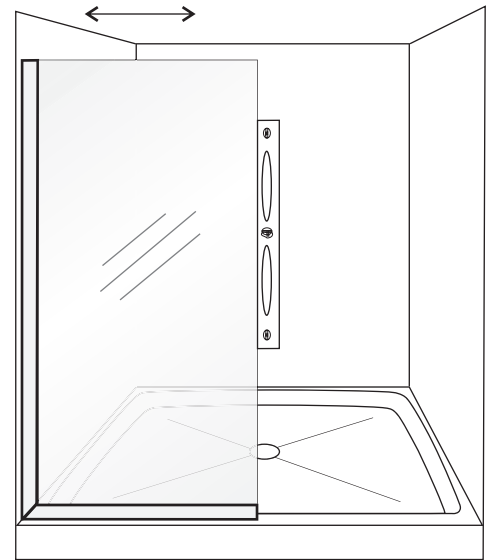
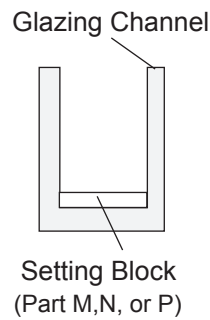
7 DRY FITTING SIDE PANEL

Note: Please Handle Glass With Care!

Put two setting blocks (Part M,N, or P) into the bottom glazing channel to rest the side glass panel onto when dry-fitting it. Setting blocks may have to be changed or adjusted later.

Place side panel (B) inside the glazing channels. Place a level on the edge of the side panel (B) and then adjust the setting blocks in order to make the glass plumb. Several thicknesses of setting blocks are provided to help with adjustments.

Leave glass panel in place. The side panel is needed to line up the door in a later step.



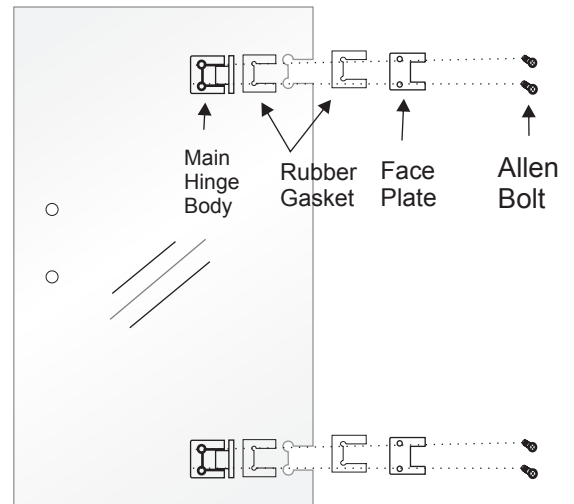
8 HINGE INSTALLATION

Note: There are two sets of gaskets for each hinge. The thicker gaskets should be used with 3/8" glass and the thinner gaskets should be used for 1/2" glass.

Remove faceplate and one rubber gasket from the hinge (C).

Place hinge body into the notch in the glass door panel (A) and re-assemble the hinge, tightening the allen bolts on the faceplate.

Note: The allen tightening bolts on the hinges should be to the inside of the shower (for cosmetic purposes).

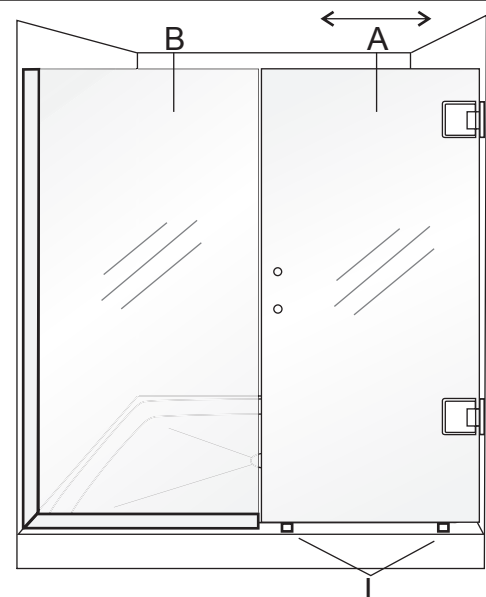


9 ALIGNING DOOR PANEL AND SIDE PANEL

Note: Two People Are Needed In This Step!

Place 1/2" black spacers (L) where the door will rest and place the door onto spacers.

Line up the door glass with side glass panel so that both the top and the bottom are in line. Also, it is important to make sure that the door glass is parallel with the front edge of the shower base threshold.

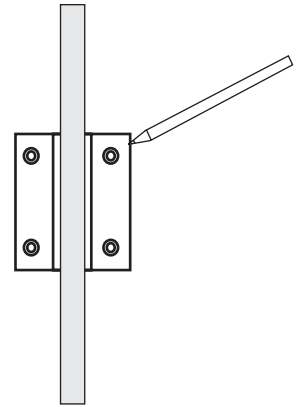


10 HINGE INSTALLATION

With the door glass lined up with the side glass panel, mark the hinge hole location for drilling.

Once holes are marked, remove the door glass so that the holes can be drilled.

Note: Be very careful moving the glass as tempered glass is sensitive, especially along the edges.

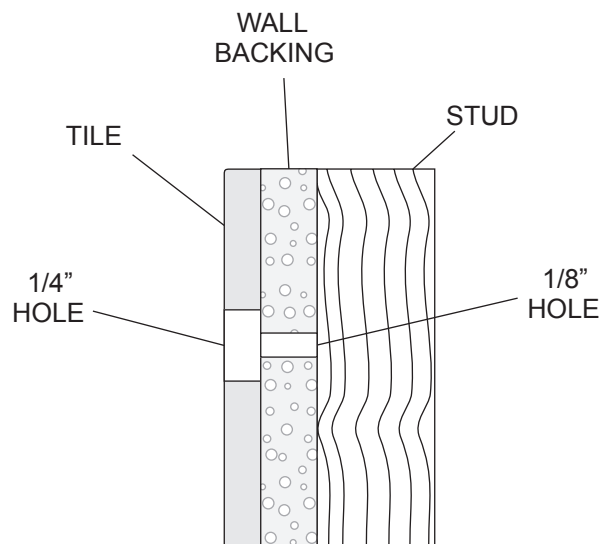


11 PRE-DRILLING FOR HINGES

Pre-drill holes through the shower wall using a 1/4" drill bit.

Pre-drill through wall backing and into the wood backing using 1/8" drill bit.

Clean debris from threshold to prepare for mounting the glass door.

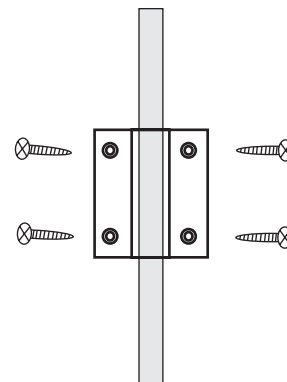


12 ATTACHING HINGES TO WALL

Place the door glass back onto the 1/2" black setting blocks, and line up the hinges with the holes. Use the screws provided to attach the hinges to the wall.

Note: Use a #2 phillips screw driver to tighten the screws as a power drill can both slip and scratch the finish and also damage the glass.

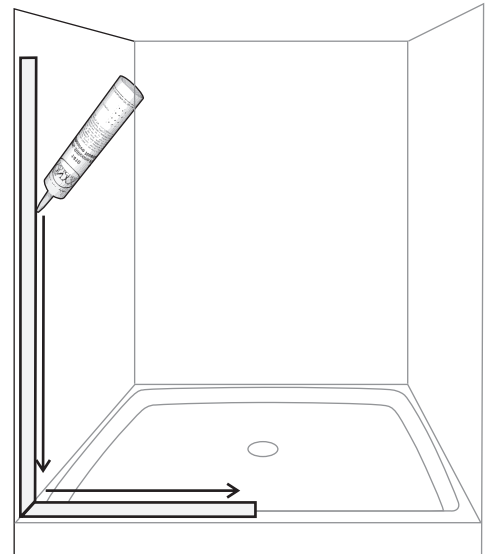
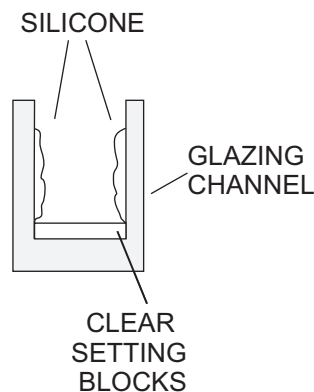
Once the hinges are tightened, check the door for plumb and tighten the hinges to the glass using the allen wrench. The door should now open and close.



13 WET GLAZING

Once the door is in place and the positioning of the glass side panel is determined to be correct, the next step is to secure the side glass panel. Remove the glass panel from the channel and make sure the glass setting blocks remain in place.

Place a small bead of silicone on each side of the glazing track as shown. It is important to not put too much silicone in the channel as it will not allow the glass to rest completely into place.

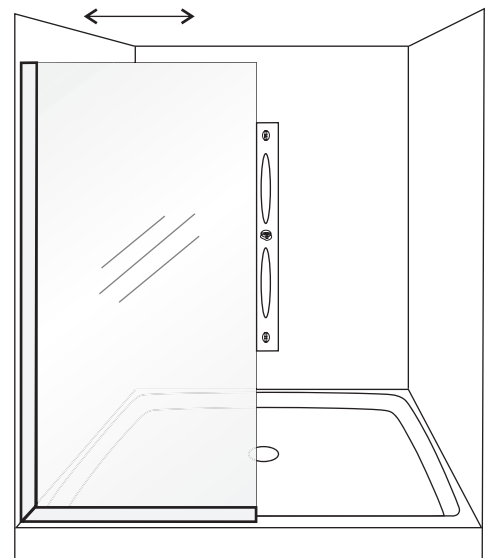
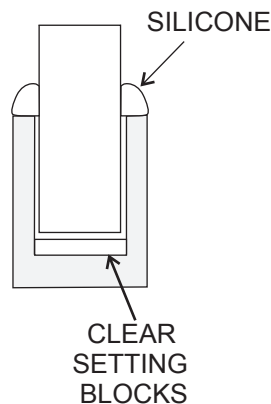


14 INSTALLING SIDE PANEL

Place side panel (B) back in to the glazing channels. Check the position of the glass panel and make sure it is still lined up with the door glass. Ideally, there should be about a 1/4" gap (+/- 1/16") between the side panel and the door glass.

Note: If any silicone "oozes" out of the channel, clean it off quickly using a spraybottle of rubbing alcohol and paper towels.

Now seal the glass and channel by applying a small silicone bead where the channel meets the glass.



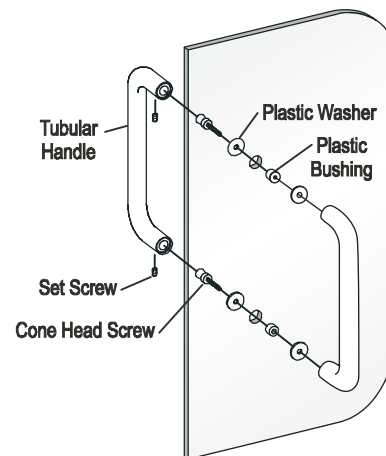
15 INSTALLING HANDLE

Loosen set screws using a small allen wrench (BE CAREFUL NOT TO UNSCREW ALL THE WAY!), then remove handle and unscrew cone head screws.

Place one plastic washer and one plastic bushing onto the cone head screw and then slide this screw through the top hole in the glass door.

Next, place one plastic washer onto the screw and then attach handle (do not tighten all the way). Repeat above step for bottom hole then tighten all the way.

Slide handle over cone head screw then tighten set screws using the allen wrench.



16 INSTALLING GAP VINYL

Measure the gap between the door panel and the side panel.

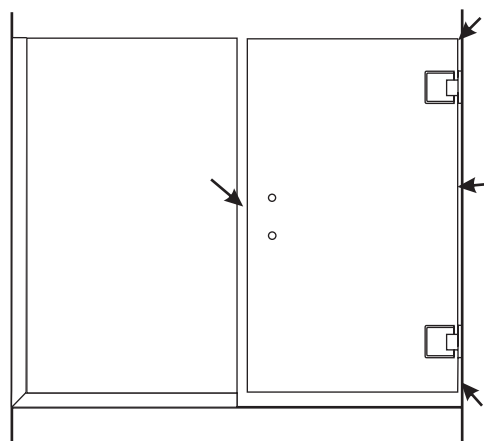
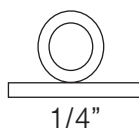
Use the vinyl type needed to fill the space between the two pieces of glass then apply the 1/4" VHB double stick tape to the hard side of the vinyl.

Cut the vinyl to length and remove the tape backing. Carefully press the vinyl onto the edge of the side panel or the door panel.

Repeat steps for the hinge side of door panel.

Note: This vinyl is not necessary for doors that do not have a lot of water hitting the gaps.

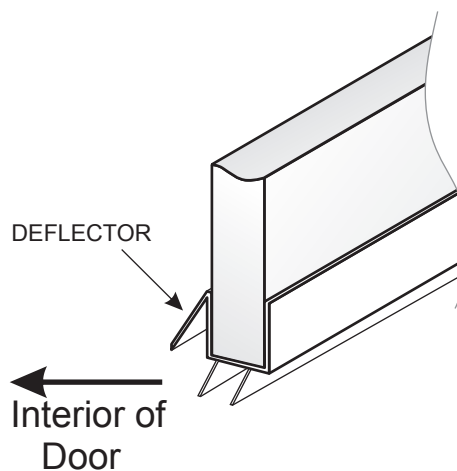
Option: Instead of applying the clear VHB double stick tape to the vinyl seal, you may choose to install the tape on the edge of the door first. Then remove the release paper and carefully apply the appropriate seal, trim before or after the seal is on the edge of the door.



17 INSTALLING DOOR SWEEP

Measure door opening and cut the bottom drip sweep so that it will extend all the way from the side glass panel to the shower wall on the hinge side of the door.

Slide door sweep onto bottom of door panel so the hard deflector leg is to the interior of the door.



Care and Cleaning of your new Alumax Bath Enclosure

The simplest and preferred method of cleaning your unit is by washing it with clean water and drying with a soft cloth. If soil is still present after drying, a non-abrasive cleanser with a pH of seven to eight may be used. Comet Bathroom Cleaner® has been tested and is recommended by the Bath Enclosure Manufacturers Association (BEMA). Do not use scouring pads, sharp instruments, or acid-based cleansers to clean the unit.

Thank you for choosing an Alumax Bath Enclosure.