



ALUMAX

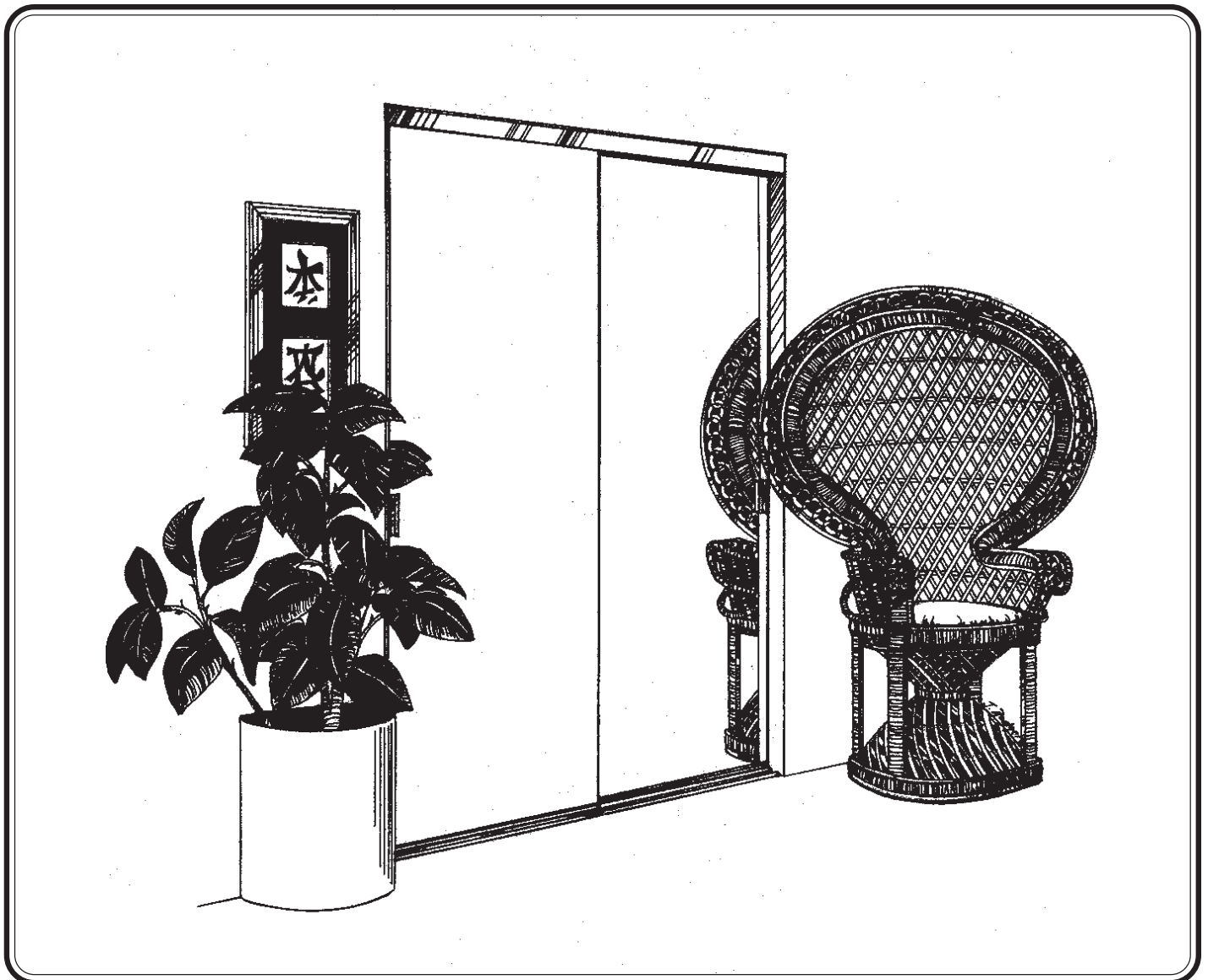
BATH ENCLOSURES

INSTALLATION
INSTRUCTIONS

by Sapa

Tel: 800-643-1514
Fax: 870-234-3181
www.alumaxbath.com

F2 FRAMELESS 2 PANEL MIRROR DOOR



LIMITED WARRANTY AND REMEDY

ALUMAX BATH ENCLOSURES warrants to its dealers, customers, and all subsequent purchasers and users, that the products supplied by it shall be free from material defects in material and workmanship for a period of one (1) year after shipment, provided they are installed and maintained according to ALUMAX BATH ENCLOSURE's recommended practices and installation instructions. This warranty shall apply only to defects appearing within one (1) year from the date of shipment, and provided that ALUMAX BATH ENCLOSURES is promptly notified in writing of such defects. The sole and exclusive remedy with respect to the above warranty or with respect to any other claim relating to defects or any other condition or use of the products supplied by ALUMAX BATH ENCLOSURES, however caused, and whether such claim is based upon warranty contract, negligence, strict liability, or any other theory, is limited to repair or supply of such products, or repayment by ALUMAX BATH ENCLOSURES of the purchase price paid for it, at ALUMAX BATH ENCLOSURE's option.

ALUMAX BATH ENCLOSURES does not make any other representations or warranties, express or implied, including, but not limited to, any implied warranty of merchantability and any implied warranty of fitness for a particular purpose. In no event shall ALUMAX BATH ENCLOSURES be liable for special, direct, indirect, or consequential damages, including, but not limited to, loss or use of profits.

Dealers agree to pass on to its customers and users in writing ALUMAX BATH ENCLOSURE's Warranty and Remedy as set forth above.

Laws and building and safety codes governing the design and use of bath enclosures vary widely. ALUMAX BATH ENCLOSURES does not control the selection of product configurations, operating hardware or glazing materials, and assumes no responsibility therefor.

INSTALLATION NOTES

Unpack your unit carefully and inspect for freight damage. Lay out and identify all parts using the instruction sheets as a reference. Before discarding the carton, check for small hardware bags that tend to fall to the bottom of the box. If any parts are damaged or missing, refer to the descriptions noted in the instructions when contacting your dealer for replacements.

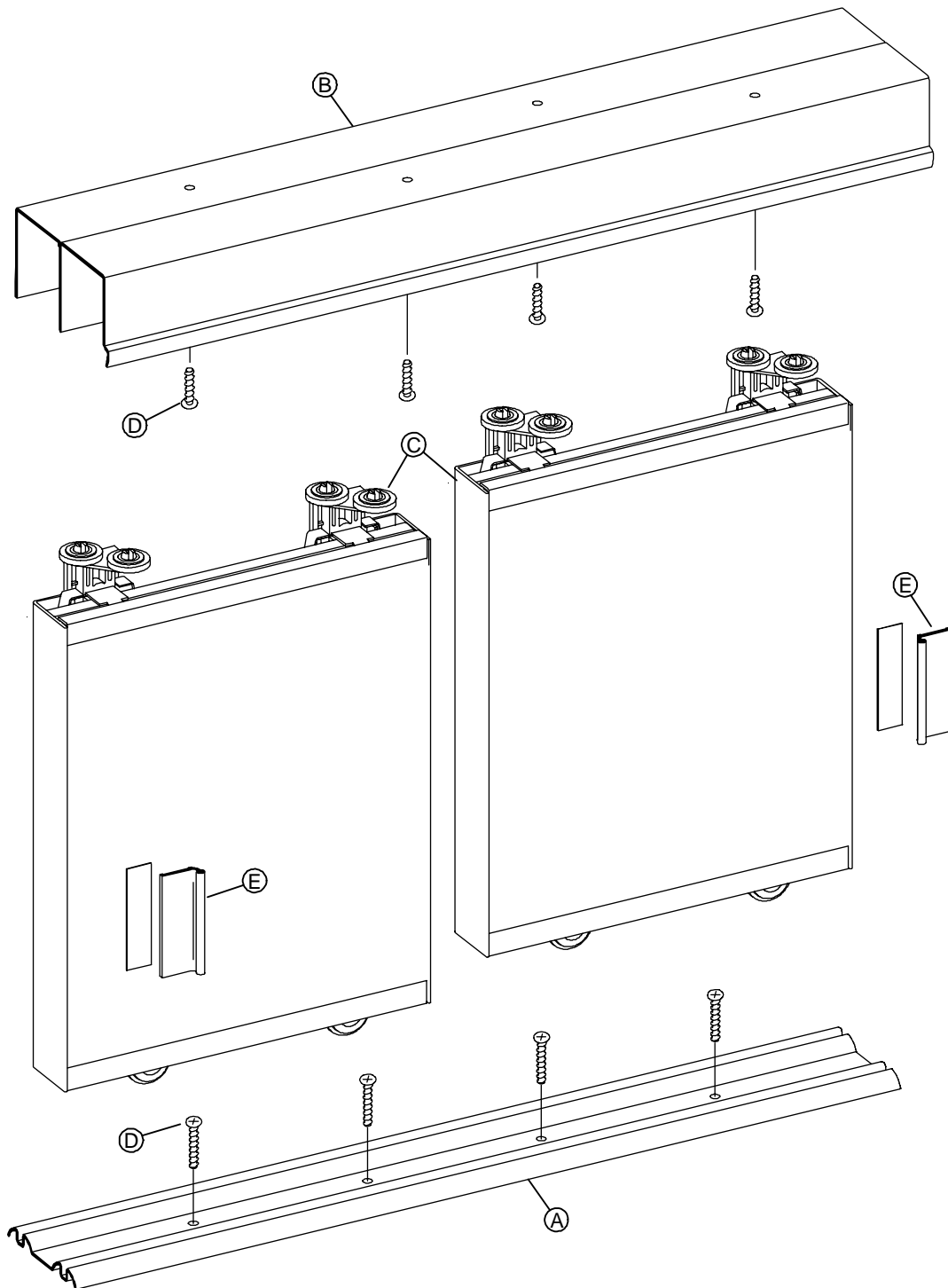
Handle the glass panels carefully and protect the edges. Safety tempered glass is very resistant to breakage, but the sharp corners of the panels can damage tile and floor coverings.

Please wear safety glasses whenever drilling or cutting. When drilling holes in ceramic tile or marble, use a center punch and hammer to carefully break the surface glaze so the drill can start without skidding.

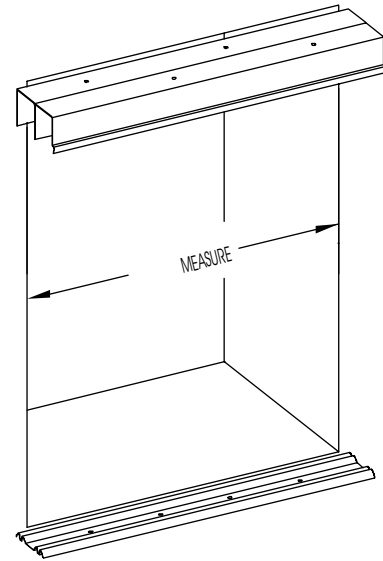
To install your Alumax Bath Enclosure you will need the following: tape measure, level, #2 Phillips screwdriver, drill, 1/8" and 3/16" drill bits, hacksaw, and a pencil. Optional tools include a miter box for cutting parts to length, files, center punch and masking tape.

F2 PARTS LIST

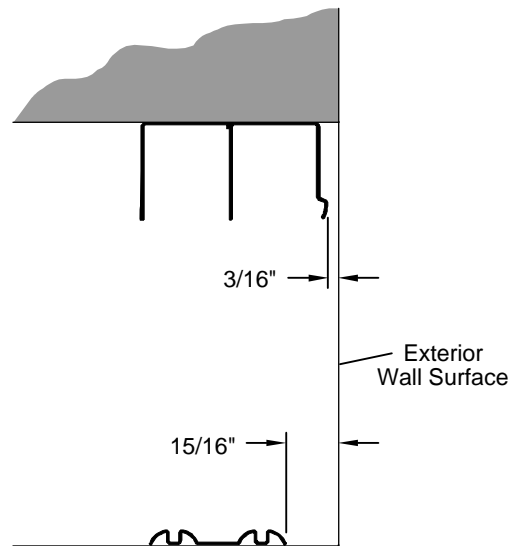
- A. 1 Curb Track
- B. 1 Header Track
- C. 2 Glazed Panels
- D. 6 #8 x 1" Truss Head Screws
- E. 2 Handles



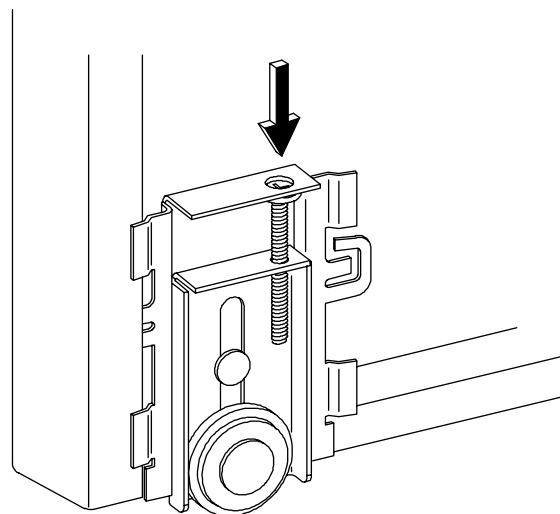
1 Measure the wall to wall opening for the width of the closet as shown. Cut the header track [B] and the curb track [C] to the opening width if necessary using a hacksaw. To insure a smooth cut, insert 2 x 4 blocks in the channels of the header track next to the saw cut and hold them firmly in place while cutting. It is not necessary to support the curb track.



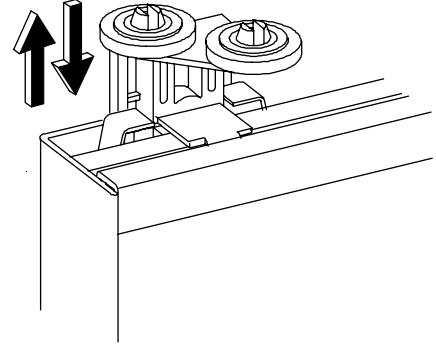
2 Install tracks. Attach the header track [B] 3/16" back from the face of the exterior wall surface with three #8 x 1" truss head screws [D]. Locate leading edge of the curb track [A] 15/16" back from the exterior wall surface and attach with three #8 x 1" truss head screws [D]. If the floor surface is carpeted, spacers (3/16" to 3.8" thick) are recommended to raise the curb track [A].



3 The door panels are shipped with the bottom rollers installed. The rollers are fully retracted and must be extended 1/2" before installing by turning the adjustment screw counterclockwise.

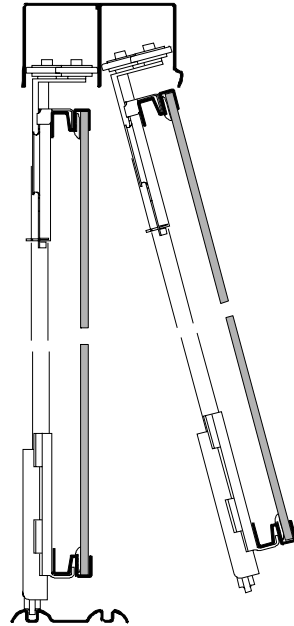


-
-
- 4** The door panels are also shipped with the top guides installed.



-
-
- 5** Install the rear panel first. Insert the top of the door panel [C] into the rear header track [B] high enough for the bottom of the door panel to clear the curb track [A]. Set the bottom rollers into the rear groove in the curb track. Install the front panel.

Loosen or tighten the adjustment screw in the bottom roller to adjust the height of the door panels [C].



-
-
- 6** Install the handles [E] by removing the backing from the tape. Position the handles at the desired height against the front edge of the edgeguard on the vertical rails of the door panel [C].

