



# ALUMAX

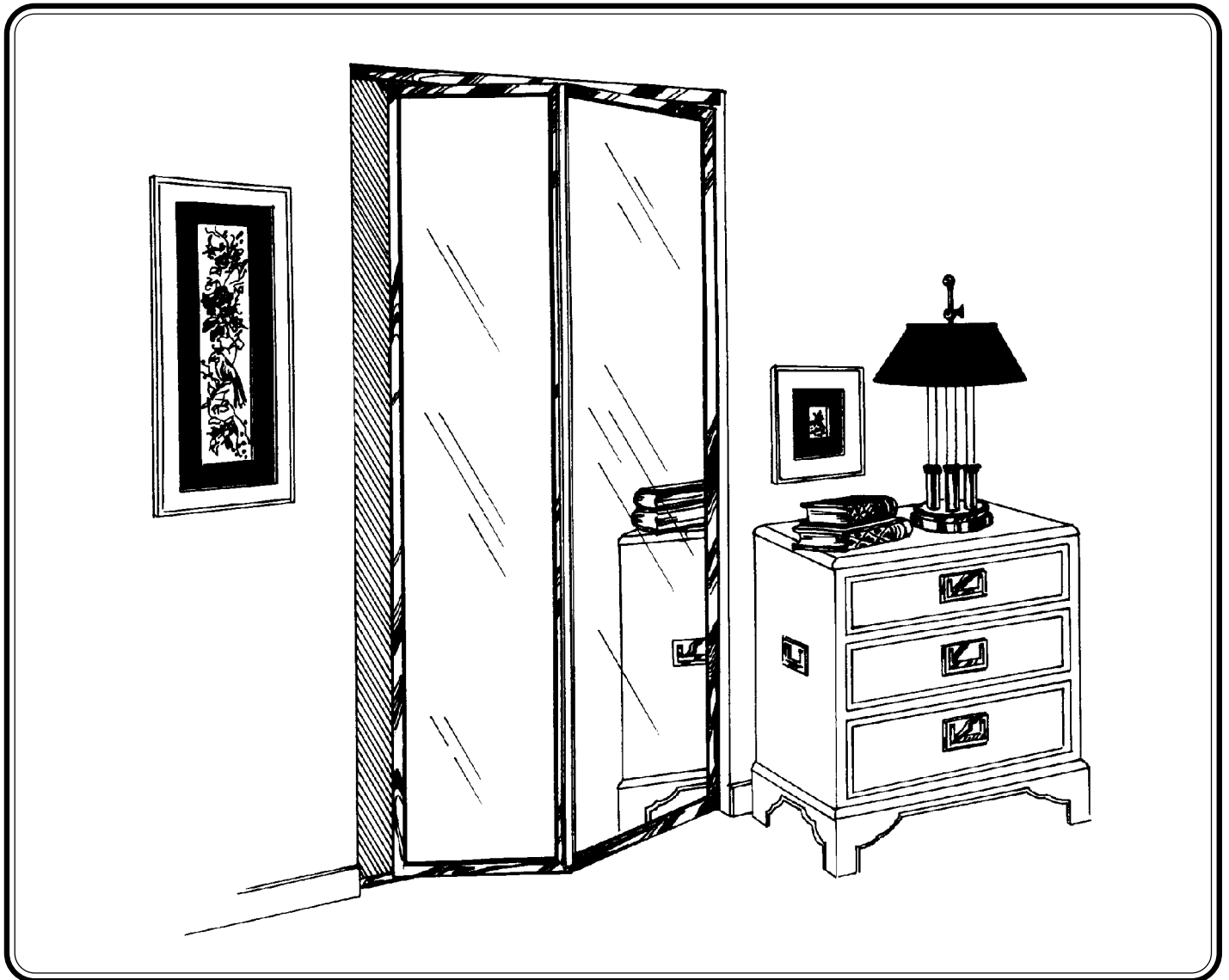
## BATH ENCLOSURES

a product of Alcoa

PO Box 40, Magnolia, AR 71754-0040 (870) 234-4260

### INSTALLATION INSTRUCTIONS

# FB SERIES FRAMELESS BI-FOLD MIRROR DOORS



## **LIMITED WARRANTY AND REMEDY**

ALUMAX BATH ENCLOSURES warrants to its dealers, customers, and all subsequent purchasers and users, that the products supplied by it shall be free from material defects in material and workmanship for a period of one (1) year after shipment, provided they are installed and maintained according to ALUMAX BATH ENCLOSURE'S recommended practices and installation instructions. This warranty shall apply only to defects appearing within one (1) year from the date of shipment, and provided that ALUMAX BATH ENCLOSURES is promptly notified in writing of such defects. The sole and exclusive remedy with respect to the above warranty or with respect to any other claim relating to defects or any other condition or use of the products supplied by ALUMAX BATH ENCLOSURES, however caused, and whether such claim is based upon warranty contract, negligence, strict liability, or any other theory, is limited to repair or supply of such products, or repayment by ALUMAX BATH ENCLOSURES of the purchase price paid for it, at ALUMAX BATH ENCLOSURE'S option.

*ALUMAX BATH ENCLOSURES does not make any other representations or warranties, express or implied, including, but not limited to, any implied warranty of merchantability and any implied warranty of fitness for a particular purpose. In no event shall ALUMAX BATH ENCLOSURES be liable for special, direct, indirect, or consequential damages, including, but not limited to, loss or use of profits.*

Dealers agree to pass on to its customers and users in writing ALUMAX BATH ENCLOSURE'S Warranty and Remedy as set forth above.

Laws and building and safety codes governing the design and use of bath enclosures vary widely. ALUMAX BATH ENCLOSURES does not control the selection of product configurations, operating hardware or glazing materials, and assumes no responsibility therefor.

## **INSTALLATION NOTES**

Unpack your unit carefully and inspect for freight damage. Lay out and identify all parts using the instruction sheets as a reference. Before discarding the carton, check for small hardware bags that tend to fall to the bottom of the box. If any parts are damaged or missing, refer to the descriptions noted in the instructions when contacting your dealer for replacements.

Please wear safety glasses whenever drilling or cutting.

To install your ALUMAX Wardrobe Door you will need the following: pencil, tape measure, hacksaw, plumb bob (or weight and string), #2 phillips screwdriver, hammer, and glass cleaner. Optional tools include files and a miter box for cutting parts to length.

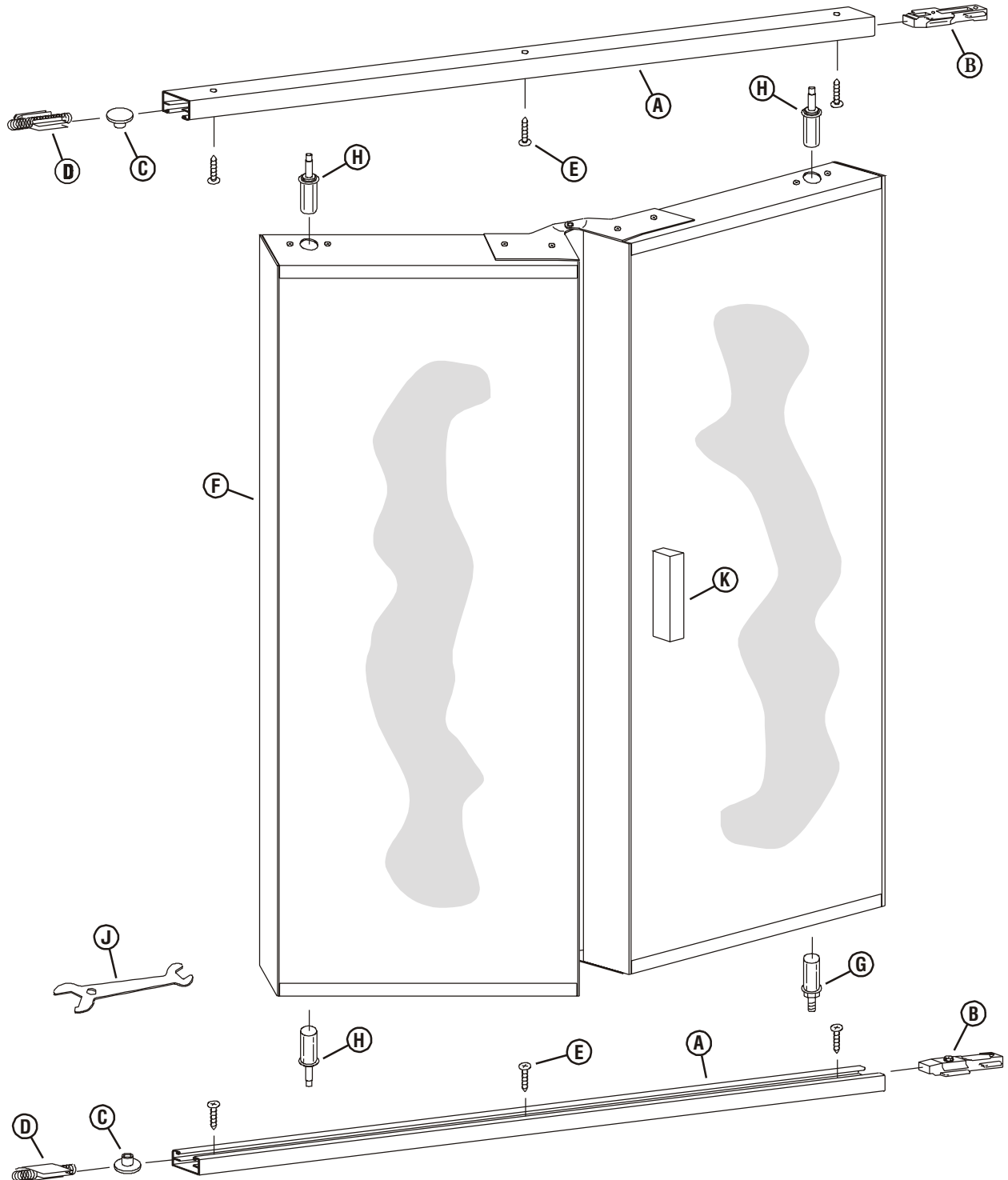
**CAUTION:** Tempered glass cannot be cut or drilled.

## 2-PANEL BI-FOLD MIRROR PARTS LIST

- A. 2 Tracks
- ★ B. 2 Pivot Brackets
- ★ C. 2 Glide Wheels
- D. 2 Snuggers
- E. 6 #8 x 1" Truss Head Screws
- ★ F. 1 Mirror Panel Assembly

- ★ G. 1 Pivot Pin (Adjustable)
- ★ H. 3 Pivot Pins (Spring-loaded)
- J. 1 Bi-Fold Wrench
- ★ K. 1 Clear Acrylic Handle

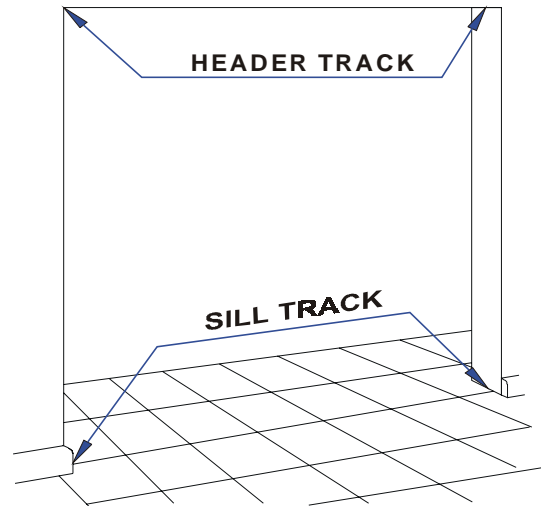
★ On a 4-Panel unit, quantities of these items will be doubled.



**1**

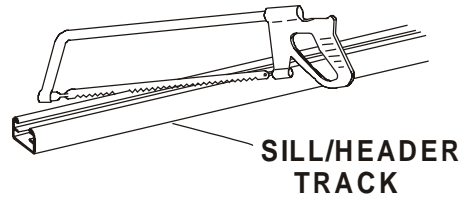
Measure the door opening from wall to wall at the floor and at the top of the opening.

If there is thick carpet at the door opening, it may be necessary to use spacers under the sill track **[A]** at the attachment points.



**2**

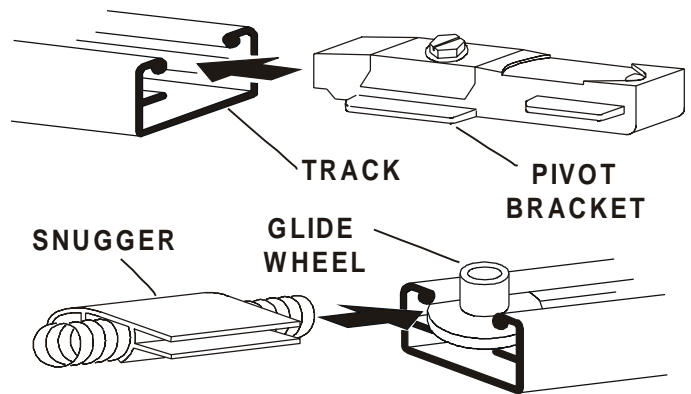
Using a hacksaw, cut the sill track and the header track **[A]** to a length  $1/16$ " short of the door opening dimensions.



**3**

Determine which side of the door opening you want your Bi-Fold Door to pivot from. Then slide a pivot bracket **[B]** into the sill track **[A]** (with the pivot hole to the outside). On the opposite end, first insert a glide wheel **[C]** and then a snugger **[D]**. Repeat this procedure for the header track.

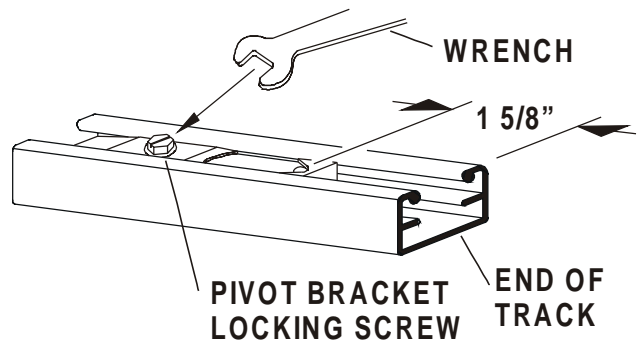
For a 4-Panel Bi-Fold Door, each track should have a pivot bracket, a glide wheel, a snugger, a glide wheel, and a pivot bracket, in that order.



**4**

Slide the pivot bracket **[B]** in the sill track **[A]** until the center of the pivot hole is  $1\ 5/8$ " from the end of the track. Use the small end of the ALUMAX wrench **[J]** to tighten the locking screw and secure the pivot bracket in position.

Repeat for the header track.



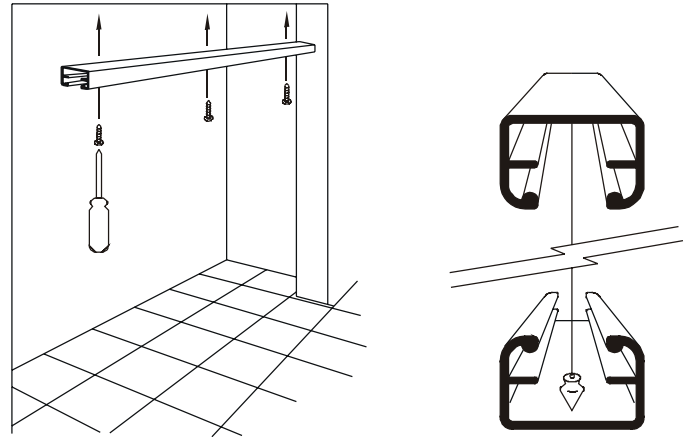
---

---

# 5

Install the sill track and header track **[A]** in the door opening using three #8 x 1" truss head screws **[E]**, (longer tracks may use four screws). The two tracks should be in-line, parallel, and plumb with each other.

To insure proper alignment and operation of the Bi-Fold Door, suspend a plumb bob (or a weight attached to a string) from the center of one end of the header. Center the end of the sill track under the plumb bob. Repeat the procedure for the opposite end before attaching the sill track to the floor.



---

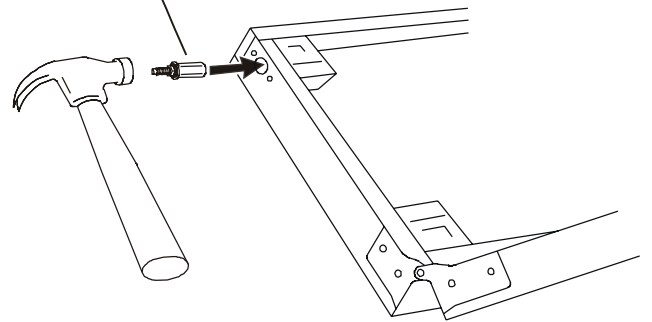
---

# 6

Look at the mirror panel assembly **[F]** and determine which panel will be the pivot panel. Push the adjustable pivot pin **[G]** into the bottom hole on the pivot panel. Using a hammer, carefully tap the pivot pin until it is fully seated.

Insert the three spring-loaded pivot pins **[H]** into the remaining holes in the panel assembly and seat them with the hammer.

ADJUSTABLE PIVOT

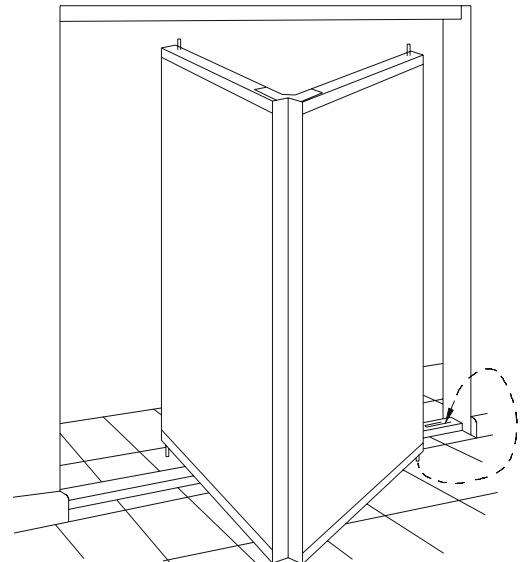


---

---

# 7

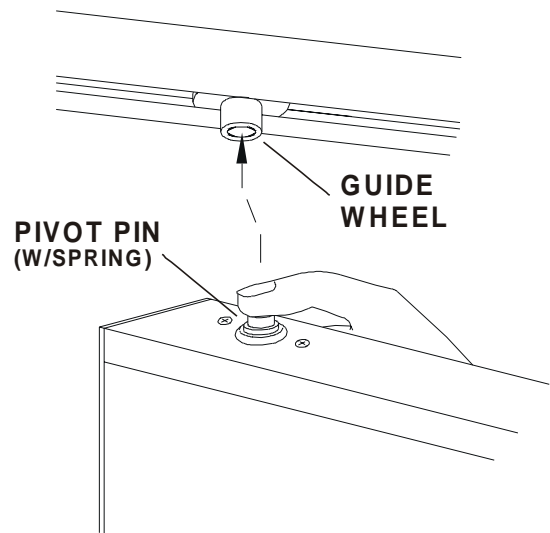
Lift the folded mirror panel assembly **[F]** and seat the top pivot pin **[H]** on the pivot panel into the hole in the upper pivot bracket **[B]**. Lift upward to compress the pivot pin spring and set the bottom adjustable pivot pin **[G]** into the hole in the bottom pivot bracket.



# 8

Depress the top pivot pin **[H]** on the floating mirror panel, move the panel into position under the glide wheel **[C]** in the header track **[A]** and release the pin to pop up into the glide wheel.

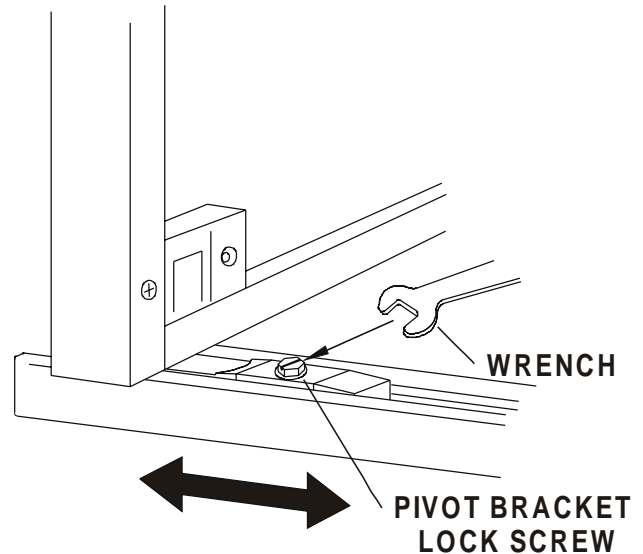
Repeat the procedure with the bottom pivot pin and the glide wheel in the sill track **[A]**.



# 9

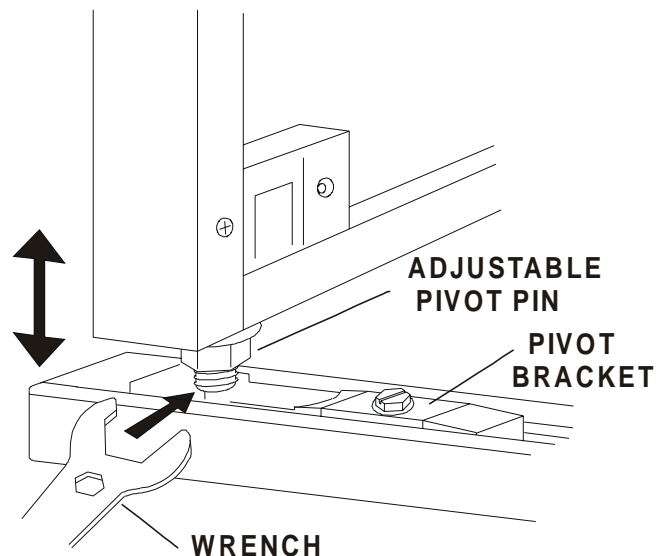
To adjust the Bi-Fold Mirror Door horizontally, use the small end of the ALUMAX wrench **[J]** to loosen the top and bottom pivot brackets **[B]**. The mirror panel assembly **[F]** can now be moved right or left to obtain proper alignment. After aligning, retighten the pivot brackets.

To close securely, the glide wheels **[C]** on the floating panel should slightly compress the springs in the snuggers **[D]**.



# 10

To adjust the doors vertically, use the large end of the ALUMAX wrench **[J]** to turn the hex bolt on the adjustable bottom pivot pin **[G]**. Raise the panel assembly only enough to clear the carpet or floor covering and to partly compress the spring-loaded pivot pins **[H]** on the top of the doors.

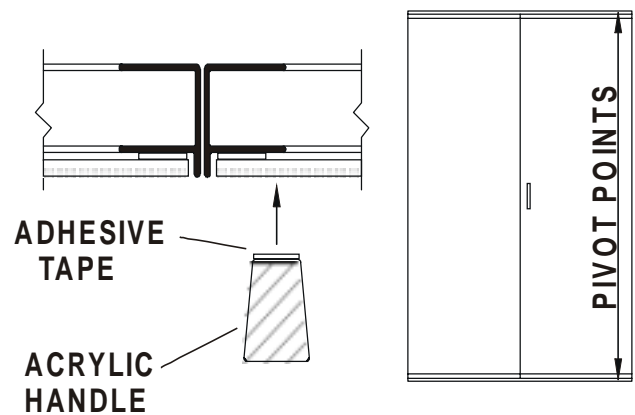


---

---

# 11

Locate the mounting position of the clear acrylic door handle(s) [K] at the desired height and approximately 1/2" from the hinge side of the pivot panel. Peel off tape backing and firmly press the handle against the mirror.



---

---

The Care and Cleaning of your new ALUMAX Wardrobe Mirror Door. The simplest and preferred method of cleaning your unit is by washing it with clean water and drying with a soft cloth. If soil is still present after drying, a non-abrasive cleanser with a pH of seven to eight may be used. Comet Bathroom Cleaner® has been tested and is recommended by the Bath Enclosure Manufacturers Association (BEMA). Do not use scouring pads, sharp instruments, or acid-based cleansers to clean the unit.

Thank you for choosing an ALUMAX Wardrobe Mirror Door. Please take a moment to complete and return the enclosed Customer Response Card. The information you provide helps us improve the quality of our products and provide better service to you, our customer.