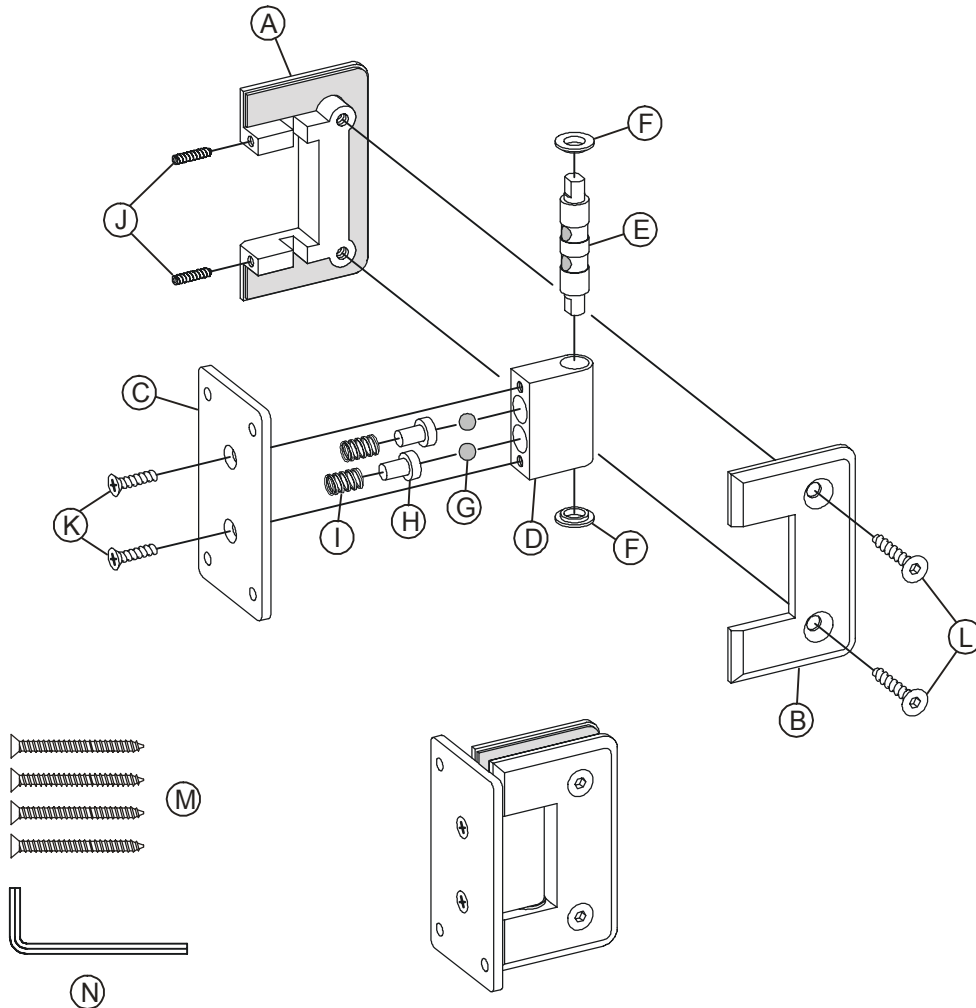


# HEAVY GLASS HINGE

## INSTALLATION INSTRUCTIONS

Tel: 800-643-1514

www.alumaxshowerdoor.com



### HINGE PARTS LIST

- |                                  |                       |
|----------------------------------|-----------------------|
| A. 1 Stationary Leaf With Gasket | I. 2 Spring           |
| B. 1 Hinge Leaf With Gasket      | J. 2 Set Screw        |
| C. 1 Back Plate                  | K. 2 Back Plate Screw |
| D. 1 Housing                     | L. 2 Hinge Leaf Screw |
| E. 1 Bushing                     | M. 4 #10 x 2" Screw   |
| F. 2 Nylon Insert                | N. 1 Allen Wrench     |
| G. 2 Bearing                     |                       |
| H. 2 Plastic Piston              |                       |

## **!WARNINGS!**

### INSTALLATION WARNINGS

- a) Alumax Bath Enclosures by Sapa are intended to be installed by an experienced installer. If you need assistance with locating an experienced installer, contact us at 1.800.643.1514 or go to our website [www.alumaxshowerdoor.com](http://www.alumaxshowerdoor.com) to access our "dealer locator". If a dealer is not listed in your area, call or send us an e-mail and we will find one for you.
- b) The enclosure must be properly installed per our published installation instructions. If NOT, the unit will not operate as designed which will cause hardware failure, glass breakage, leaking, other unidentified issues, and may cause nullification of warranty.
- c) Unpack your unit carefully and inspect for freight damage. Lay out and identify all parts using the instruction sheets as a reference. Before discarding the carton, check for small hardware bags that tend to fall into the bottom of the box. If any parts are damaged or missing, refer to the descriptions noted in the instructions when contacting your dealer for replacements.
- d) Before beginning installation, check the tub rim for level and both walls for plumb. If either is off more than ¼" to 3/8", you should use a tapered filler which can be used to level the tub track or plumb the wall jambs.
- e) Wear safety glasses when drilling or cutting to avoid injury to the eyes.
- f) When drilling holes in ceramic tile or marble, use a center punch and hammer to carefully break the surface glaze so the drill can start without skidding. A skidding drill can cause damage to the surface and can be dangerous (risk of personal injury).
- g) Use caution and proper technique whenever using tools to avoid damage to property and/or personal injury.

### GENERAL USAGE AND HANDLING WARNINGS

- a) Shower doors are not leak-proof. They are designed to direct water to the interior of the tub or shower under normal conditions. Excessive water pressure or directing the shower head directly at the door can result in leaks.
- b) Do not hang on towel bars or handles or use them to support your weight getting in and out of the bathtub or shower. Towel bars and handles are not intended to be used as grab bars for assistance getting in and out of the shower or bathtub. They are not intended to support a person's weight and could break.
- c) Do not use excessive force when opening and closing the enclosure. Excessive force can lead to glass breakage or other damage to the enclosure. Make sure wall jamb bumpers are securely fastened in place per the installation instructions.

### GLASS USAGE AND HANDLING WARNINGS

- a) **TEMPERED GLASS CANNOT BE CUT.** Attempting to cut tempered glass will result in the glass breaking or shattering.
- b) **USE CAUTION WHEN HANDLING GLASS PANELS.** Safety tempered glass is very resistant to breakage, but it can still break if unequal pressure is placed on it during installation (or if cutting of the glass is attempted). In addition, the sharp corners of the panels can damage tile and floor coverings or cause injury.
- c) **PROTECT THE EDGES OF THE GLASS.** Never let the edge of the glass come in direct contact with concrete, tile, marble or other hard surfaces that may nick, or damage the glass edge in any way as this damage may cause a delayed blow. Always check the edge of the glass for nicks, slivers, rough areas, or clam shelling. Do not install the glass if these conditions are present.
- d) Alumax Bath Enclosures by Sapa is not liable for glass breakage of any kind.

### CARE AND CLEANING WARNINGS

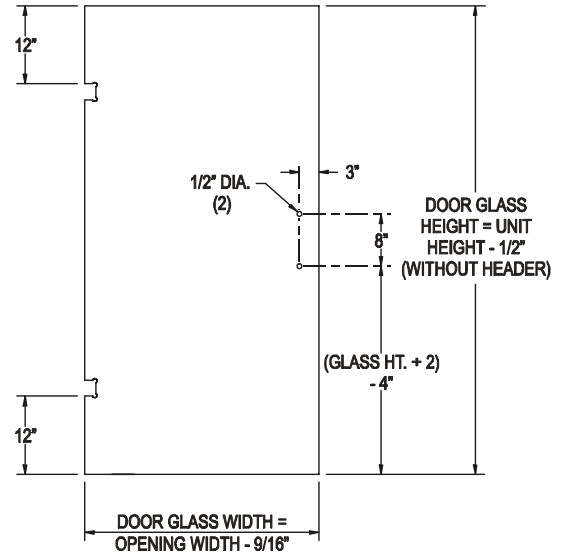
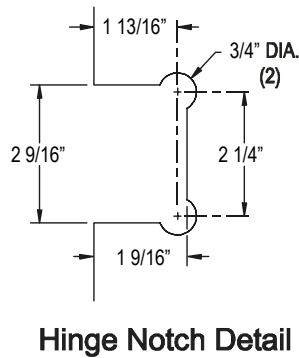
- a) The simplest and preferred method of cleaning your unit is by washing it with clean water and drying with a soft cloth.
- b) If soil is still present after drying, a non-abrasive cleanser with a pH of seven to eight may be used. Comet Bathroom Cleaner® has been tested and is recommended by the Bath Enclosure Manufacturers Association (BEMA).
- c) Contact your dealer for more information about glass coatings that will help keep the glass clean.
- d) **DO NOT USE SCOURING PADS, SHARP INSTRUMENTS, BLEACH OR ACID-BASED CLEANSERS TO CLEAN THE UNIT AS THEY MAY DAMAGE THE UNIT.**

### LIMITED WARRANTY

- a) Alumax Bath Enclosures by Sapa provides a LIMITED WARRANTY on material and workmanship only. Primary glass and component suppliers must be included in all warranty claims.
- b) Alumax Bath Enclosures by Sapa is not responsible for glass breakage.
- c) Products must be handled, installed and maintained per our published Warning and Installation instructions or the warranty may be nullified.
- d) The Limited Warranty applies to the original owner only, and is not transferable.
- e) Please visit our website [www.alumaxshowerdoor.com](http://www.alumaxshowerdoor.com) or call us at 1.800.643.1514 to get copies of our published warranty, installation and warranty policies.

# 1

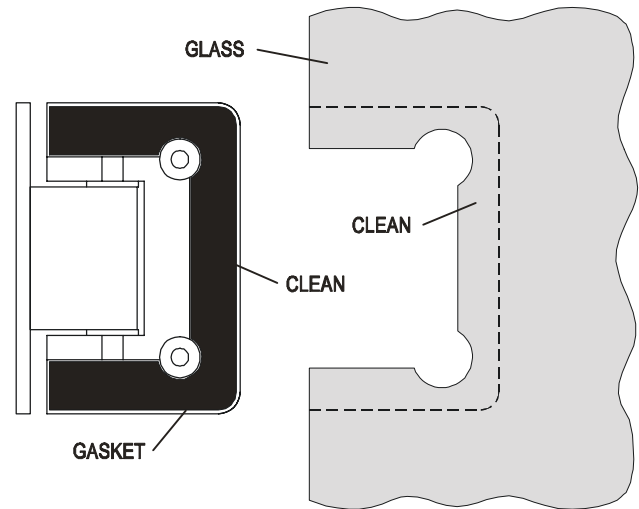
Note glass cut out dimensions. Double check these dimensions before proceeding.



# 2

Unscrew the two hinge leafscrews (L) and remove hinge leaf (B). Clean the glass and gasket surfaces with alcohol. (For the gasket to hold properly, the glass and gasket surfaces must be cleaned to remove the sodium dioxide lubricants used in tempering furnaces.)

Note that the hinge mounting is a compression fit. The glass surface must be free of debris or oil before application and hinge must be secured tightly enough to prevent slippage. If glass with water repellent coating is used the hinge mounting area of the glass must be masked off prior to installation.



# 3

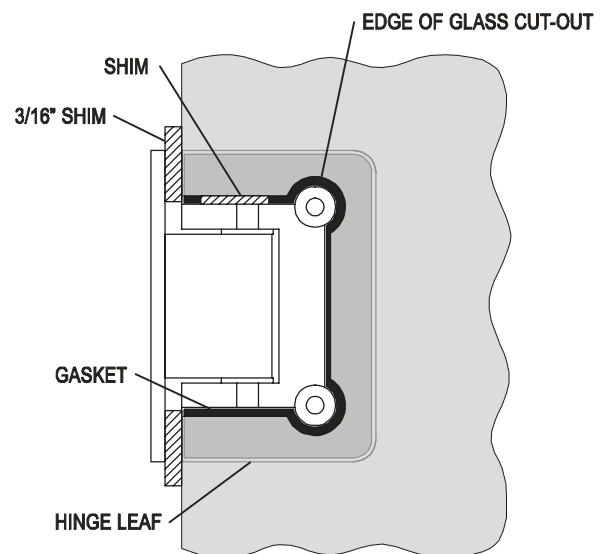
Center the stationary leaf (A) in the cutout so that hinge leaf mounting screws (L) will be inside of unit.

**TIP:** If the hinge is loose in the cutout, insert a shim between the stationary leaf (A) and the top edge of the glass cutout to prevent the glass from shifting or dropping over time.

Insert two 3/16" shims between the back plate (C) and the edge of the glass to assure the hinge is square to the glass. (Remove after you have reattached the hinge leaf.)

Screw the hinge leaf (B) back onto the hinge with the two hinge leafscrews (L). Use an allen wrench to tighten them down. **NEVER USE A POWER DRILL.** Brass is relatively soft and you may strip the screws or over torque which will cause the hinge to flex and lose its holding power.

Tighten the screws evenly, back and forth between screws, for a tighter fit to glass.

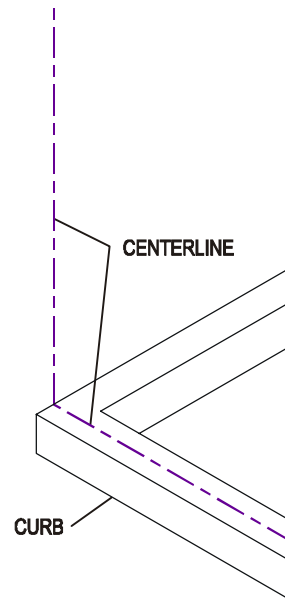


---

---

# 4

Check your walls with a straight edge. If the mounting is irregular the hinge may not function properly. Determine the centerline of the door area and mark the curb with a pencil or chalkline. *Masking tape may be used on hard-to-mark surfaces such as ceramic tile or marble.* Locate and mark a **plumb** centerline on the wall surface intersecting the centerline on the curb of the opening.



---

---

# 5

**NOTE:** Because mounting conditions vary, it is the responsibility of the installer to determine the appropriate drilling, fasteners and installation of the hinges. Alumax advises the following procedure and has supplied eight #10 x 2" mounting screws, but does not imply that this is the preferred mounting method for any given application.

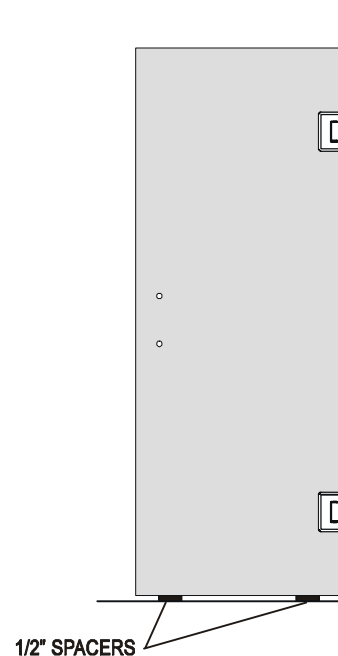
Set panel on two 1/2" spacers a few inches in from each edge of glass.

**MUST BE SOLID WOOD STRUCTURE BEHIND WALL COVERING TO HOLD WEIGHT OF DOOR.**

With hinge against wall, mark one hole on the top hinge to the surface of the wall. (Check wall surface where holes are going to line up. You don't want to drill on a corner or the extreme edge of a tile if you can help it.)

Remove panel and drill hole through tile using a 1/4" bit, then drill hole into wall using a 1/8" bit. (It is the responsibility of the installer to establish the condition to which the hinge is being mounted and to select the proper fasteners). #10 x 2" screws (**M**) are supplied but substitutions may be required as determined by wall conditions.

**TIP:** It is a good idea to pre-thread holes with a standard hardware screw so you don't damage the decorative screw head supplied with the hinge. Use of common bar soap on the threads of the decorative screws will reduce the amount of torque required to tighten the screws.



---

---

# 6

Set panel back on spacers and screw one screw into the hole you drilled on the top hinge. Set your panel plumb with a level. Mark the rest of the holes, remove panel and drill all the holes.

Add a small amount of silicone to each hole.

You may want to cover the hinge leafs (**A** and **B**) and back plate (**C**) with masking tape to prevent scratching with the screwdriver, drill or drill bit.

Set panel back on spacers and screw in all the screws with a screwdriver. (It is not recommended that you use a power drill. If you do, you **MUST** use a screw bit that is at least 4"-5" long so you don't scratch the surface of the hinge. There is not enough room for a standard screw bit.)

