

ALUMAX

BATH ENCLOSURES

by Sapa

300d Patch Hinge Shower Door-Frameless

Tel: 800-643-1514
Fax: 870-234-3181

www.alumaxbath.com

Product Features

- Available in standard and custom configuration.
- Tempered safety glass..
- All doors have extruded and machined patch hinges with $\pm 3/16$ lateral adjustment of fit to through the glass mounting hole position.
- Latch to be permanently mounted high strength magnetic strips.
- Standard handle is 6" tubular, through the glass mount.
- Total nominal unit width adjustment is $\pm 5/8$.

Calculations

- Maximum allowable width of unit = 37 (@ 72 tall)
- Maximum allowable height of unit = 84 (@ 30 wide)

Glass Size

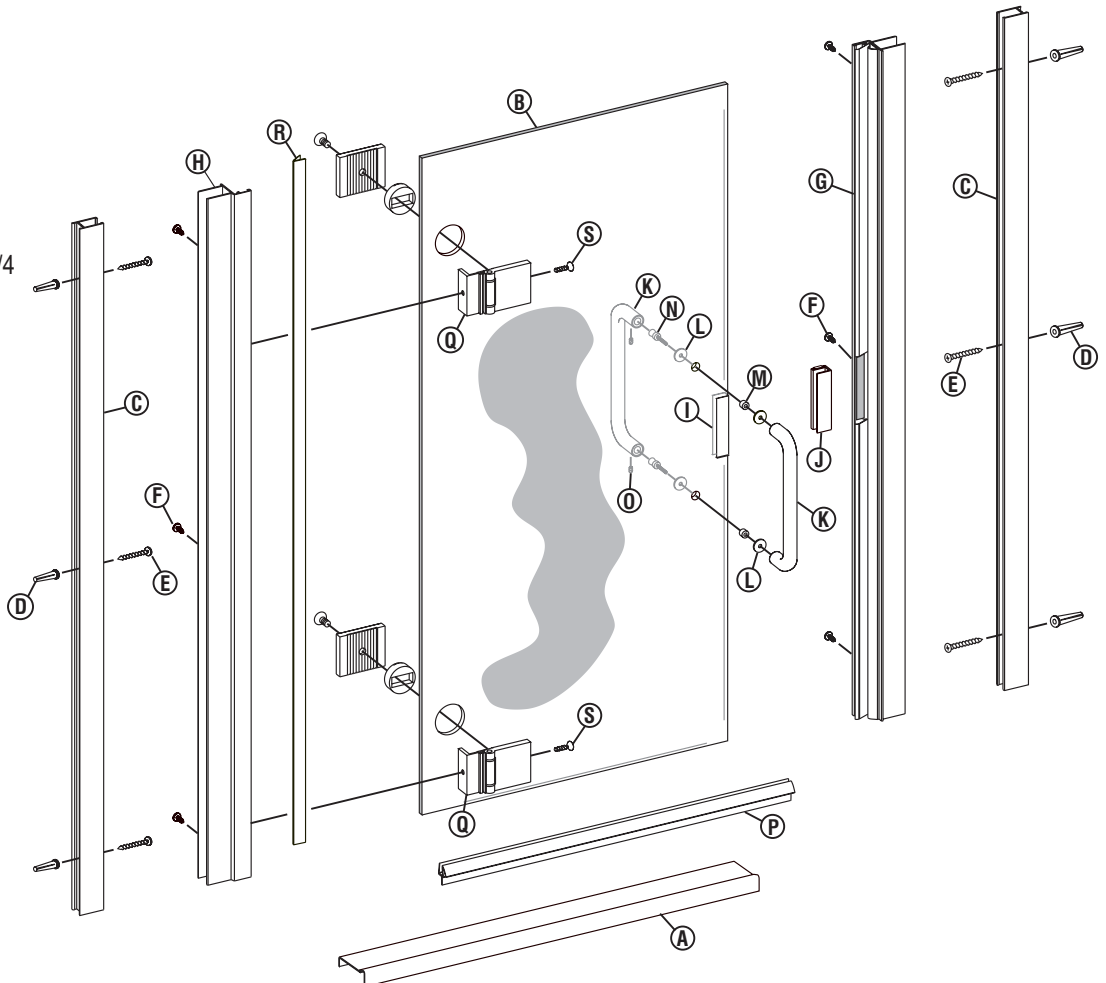
- Width = Unit width - 3 1/8
- Height = Unit ht. - 1 9/16

Metal Cuts

- SC-508 wall jamb = Unit ht. - 7/16
- SC-552 strike jamb = Unit ht. - 1
- SC-552 hinge jamb = Unit ht. - 7/16
- SC-915 curb = Unit width
- V-351 deflector = Door glass width - 1/4

300d Parts List

- A. 1 Shower Curb
- B. 1 Glazed Door Panel Assembly
- C. 2 Wall Jamb
- D. 6 Plastic Wall Anchors
- E. 6 #8 x 1 1/2 Truss Head Screws
- F. 6 #6 x 3/8 Pan Head Tex Screws
- G. 1 Strike Jamb w/Magnet
- H. 1 Hinge Jamb
- I. 1 Latch Vinyl
- J. 1 Latch
- K. 2 Tubular Handles
- L. 4 Plastic Washers
- M. 2 Plastic Bushings
- N. 2 Cone Head Bolts
- O. 2 Set Screws
- P. 1 Deflector
- Q. 2 Patch Hinge
- R. 1 Hinge Jamb Vinyl
- S. 2 #8 x 1/2 Flathead Screw



Picture is not exact unit configuration