



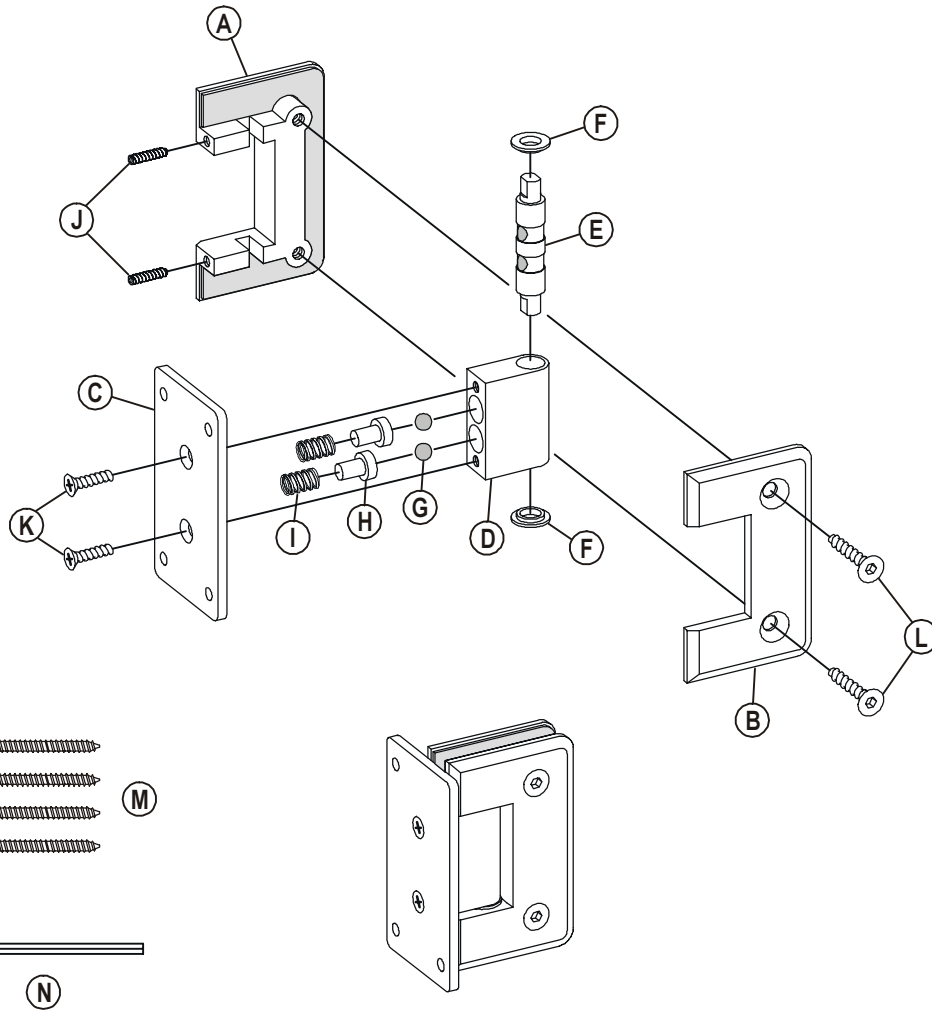
# ALUMAX

## BATH ENCLOSURES

An Alcoa Company ®

Tel: 800-643-1514  
 Fax: 870-234-3181  
 www.alumaxbath.com

# HEAVY GLASS HINGE INSTALLATION INSTRUCTIONS



### HINGE PARTS LIST

- |                                  |                       |
|----------------------------------|-----------------------|
| A. 1 Stationary Leaf With Gasket | I. 2 Spring           |
| B. 1 Hinge Leaf With Gasket      | J. 2 Set Screw        |
| C. 1 Back Plate                  | K. 2 Back Plate Screw |
| D. 1 Housing                     | L. 2 Hinge Leaf Screw |
| E. 1 Bushing                     | M. 4 #10 x 2" Screw   |
| F. 2 Nylon Insert                | N. 1 Allen Wrench     |
| G. 2 Bearing                     |                       |
| H. 2 Plastic Piston              |                       |

## LIMITED WARRANTY AND REMEDY

ALUMAX BATH ENCLOSURES warrants to its dealers, customers, and all subsequent purchasers and users, that the products supplied by it shall be free from material defects in material and workmanship for a period of one (1) year after shipment, provided they are installed and maintained according to ALUMAX BATH ENCLOSURE's recommended practices and installation instructions. This warranty shall apply only to defects appearing within one (1) year from the date of shipment, and provided that ALUMAX BATH ENCLOSURES is promptly notified in writing of such defects. The sole and exclusive remedy with respect to the above warranty or with respect to any other claim relating to defects or any other condition or use of the products supplied by ALUMAX BATH ENCLOSURES, however caused, and whether such claim is based upon warranty contract, negligence, strict liability, or any other theory, is limited to repair or supply of such products, or repayment by ALUMAX BATH ENCLOSURES of the purchase price paid for it, at ALUMAX BATH ENCLOSURE's option.

*ALUMAX BATH ENCLOSURES does not make any other representations or warranties, express or implied, including, but not limited to, any implied warranty of merchantability and any implied warranty of fitness for a particular purpose. In no event shall ALUMAX BATH ENCLOSURES be liable for special, direct, indirect, or consequential damages, including, but not limited to, loss or use of profits.*

Dealers agree to pass on to its customers and users in writing ALUMAX BATH ENCLOSURE's Warranty and Remedy as set forth above.

Laws and building and safety codes governing the design and use of bath enclosures vary widely. ALUMAX BATH ENCLOSURES does not control the selection of product configurations, operating hardware or glazing materials, and assumes no responsibility therefor.

## INSTALLATION NOTES

Unpack your unit carefully and inspect for freight damage. Lay out and identify all parts using the instruction sheets as a reference. Before discarding the carton, check for small hardware bags that tend to fall to the bottom of the box. If any parts are damaged or missing, refer to the descriptions noted in the instructions when contacting your dealer for replacements.

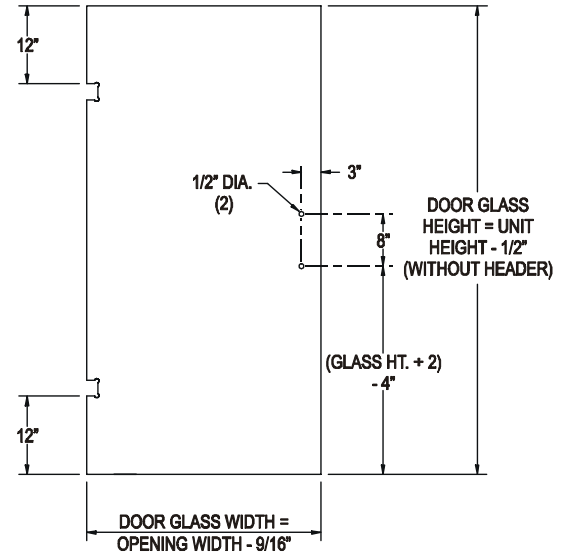
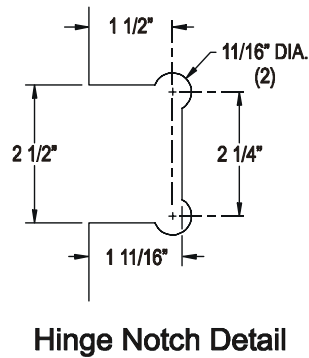
Handle glazed panels carefully and protect the edges. Safety tempered glass is very resistant to breakage, but the sharp corners of the panels can damage tile and floor coverings.

Please wear safety glasses whenever drilling or cutting. When drilling holes in ceramic tile or marble, use a center punch and hammer to carefully break the surface glaze so the drill can start without skidding.

To install your ALUMAX Bath Enclosure you will need the following: tape measure, level, #3 Phillips screwdriver, drill, 1/8", 1/4" drill bit, and pencil, Optional tools include a center punch, screw bit 4"-5" long, and masking tape.

# 1

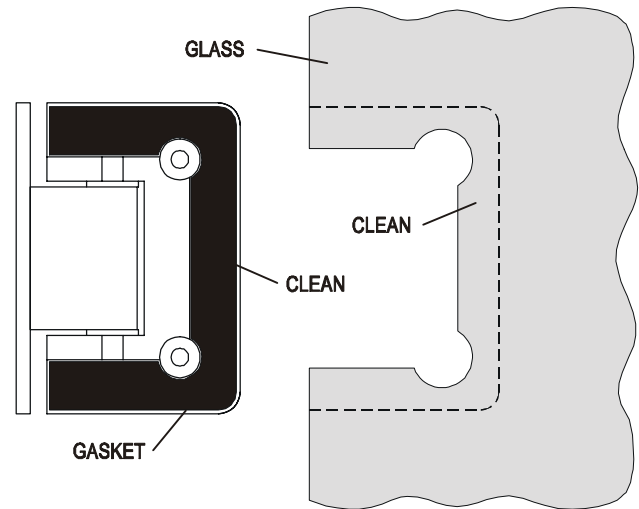
Note glass cut out dimensions. Double check these dimensions before proceeding.



# 2

Unscrew the two hinge leaf screws (**L**) and remove hinge leaf (**B**). Clean the glass and gasket surfaces with alcohol. (For the gasket to hold properly, the glass and gasket surfaces must be cleaned to remove the sodium dioxide lubricants used in tempering furnaces.)

Note that the hinge mounting is a compression fit. The glass surface must be free of debris or oil before application and hinge must be secured tightly enough to prevent slippage. If glass with water repellent coating is used the hinge mounting area of the glass must be masked off prior to installation.



# 3

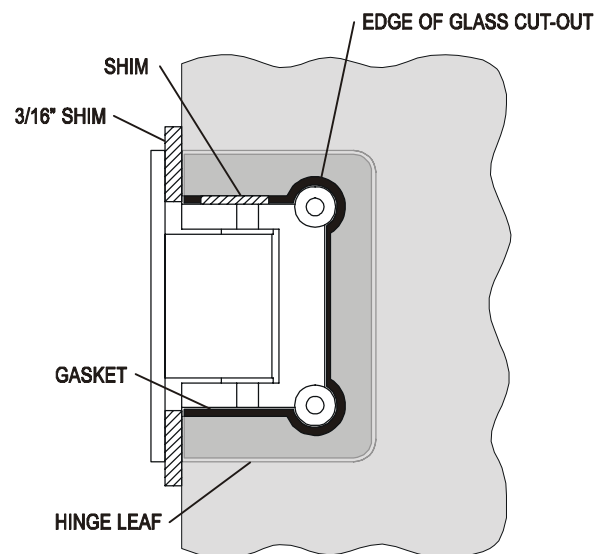
Center the stationary leaf (**A**) in the cutout so that hinge leaf mounting screws (**L**) will be inside of unit.

**TIP:** If the hinge is loose in the cutout, insert a shim between the stationary leaf (**A**) and the top edge of the glass cutout to prevent the glass from shifting or dropping over time.

Insert two 3/16" shims between the back plate (**C**) and the edge of the glass to assure the hinge is square to the glass. (Remove after you have reattached the hinge leaf.)

Screw the hinge leaf (**B**) back onto the hinge with the two hinge leaf screws (**L**). Use an allen wrench to tighten them down. **NEVER USE A POWER DRILL.** Brass is relatively soft and you may strip the screws or over torque which will cause the hinge to flex and lose its holding power.

Tighten the screws evenly, back and forth between screws, for a tighter fit to glass.

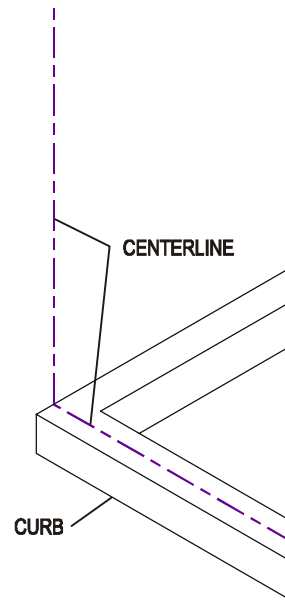


---

---

# 4

Check your walls with a straight edge. If the mounting is irregular the hinge may not function properly. Determine the centerline of the door area and mark the curb with a pencil or chalkline. *Masking tape may be used on hard-to-mark surfaces such as ceramic tile or marble.* Locate and mark a **plumb** centerline on the wall surface intersecting the centerline on the curb of the opening.



---

---

# 5

**NOTE:** Because mounting conditions vary, it is the responsibility of the installer to determine the appropriate drilling, fasteners and installation of the hinges. Alumax advises the following procedure and has supplied eight #10 x 2" mounting screws, but does not imply that this is the preferred mounting method for any given application.

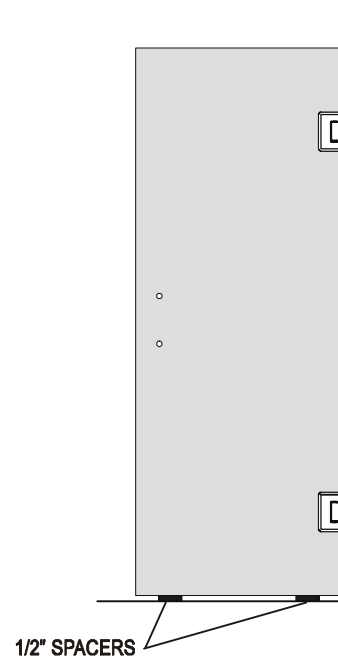
Set panel on two 1/2" spacers a few inches in from each edge of glass.

**MUST BE SOLID WOOD STRUCTURE BEHIND WALL COVERING TO HOLD WEIGHT OF DOOR.**

With hinge against wall, mark one hole on the top hinge to the surface of the wall. (Check wall surface where holes are going to line up. You don't want to drill on a corner or the extreme edge of a tile if you can help it.)

Remove panel and drill hole through tile using a 1/4" bit, then drill hole into wall using a 1/8" bit. (It is the responsibility of the installer to establish the condition to which the hinge is being mounted and to select the proper fasteners). #10 x 2" screws (**M**) are supplied but substitutions may be required as determined by wall conditions.

**TIP:** It is a good idea to pre-thread holes with a standard hardware screw so you don't damage the decorative screw head supplied with the hinge. Use of common bar soap on the threads of the decorative screws will reduce the amount of torque required to tighten the screws.



---

---

# 6

Set panel back on spacers and screw one screw into the hole you drilled on the top hinge. Set your panel plumb with a level. Mark the rest of the holes, remove panel and drill all the holes.

Add a small amount of silicone to each hole.

You may want to cover the hinge leafs (**A** and **B**) and back plate (**C**) with masking tape to prevent scratching with the screwdriver, drill or drill bit.

Set panel back on spacers and screw in all the screws with a screwdriver. (It is not recommended that you use a power drill. If you do, you **MUST** use a screw bit that is at least 4"-5" long so you don't scratch the surface of the hinge. There is not enough room for a standard screw bit.)

