



# ALUMAX

## BATH ENCLOSURES

An Alcoa Company ®

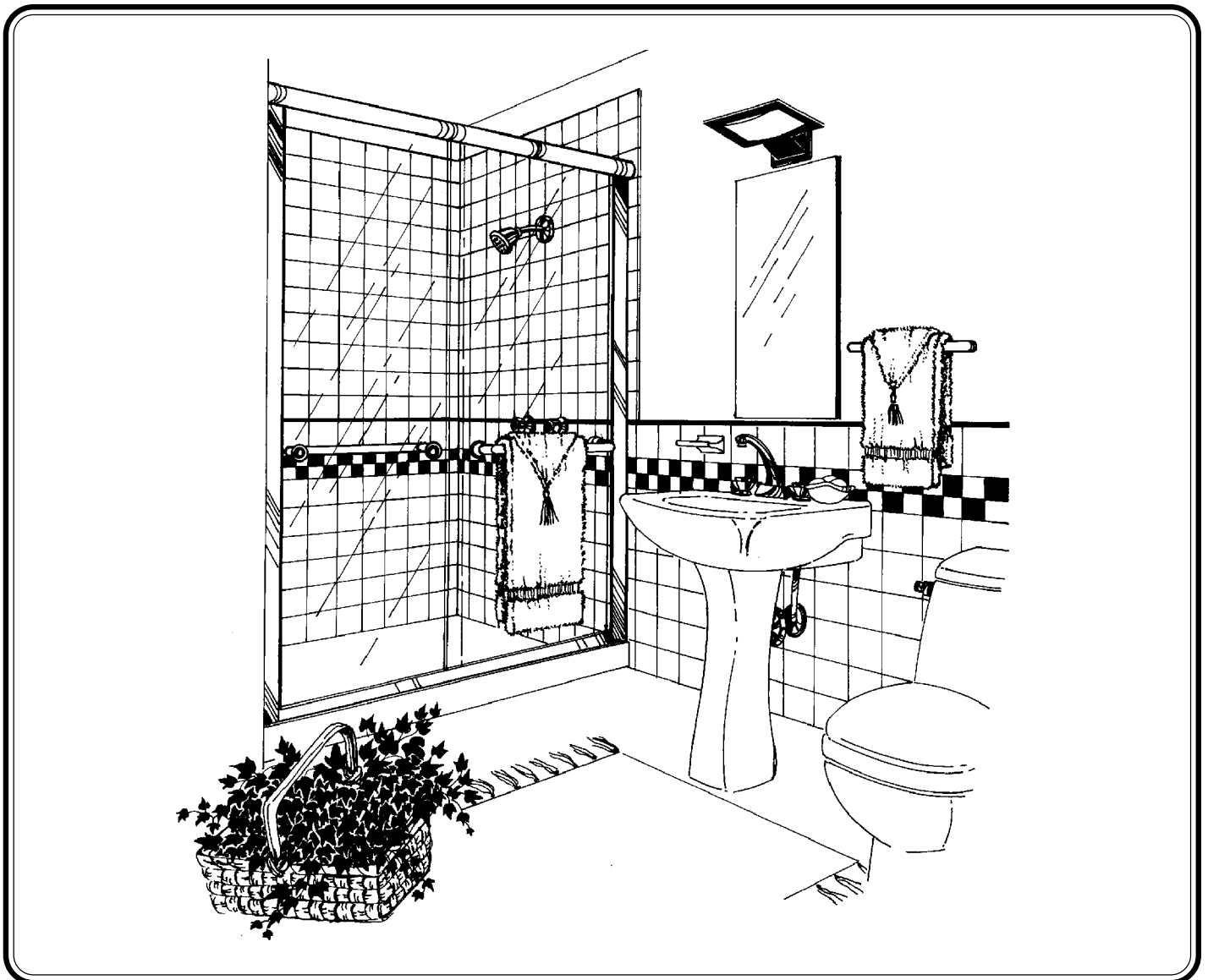
Tel: 800-643-1514

Fax: 870-234-3181

[www.alumaxbath.com](http://www.alumaxbath.com)

INSTALLATION  
INSTRUCTIONS

# 1040 & 1050 SERIES HEAVY FRAMELESS BYPASS BATH ENCLOSURE



Copyright © Alumax Bath Enclosures 1997. All rights reserved.

G03711095  
1-27-06

## LIMITED WARRANTY AND REMEDY

ALUMAX BATH ENCLOSURES warrants to its dealers, customers, and all subsequent purchasers and users, that the products supplied by it shall be free from material defects in material and workmanship for a period of one (1) year after shipment, provided they are installed and maintained according to ALUMAX BATH ENCLOSURE's recommended practices and installation instructions. This warranty shall apply only to defects appearing within one (1) year from the date of shipment, and provided that ALUMAX BATH ENCLOSURES is promptly notified in writing of such defects. The sole and exclusive remedy with respect to the above warranty or with respect to any other claim relating to defects or any other condition or use of the products supplied by ALUMAX BATH ENCLOSURES, however caused, and whether such claim is based upon warranty contract, negligence, strict liability, or any other theory, is limited to repair or supply of such products, or repayment by ALUMAX BATH ENCLOSURES of the purchase price paid for it, at ALUMAX BATH ENCLOSURE's option.

*ALUMAX BATH ENCLOSURES does not make any other representations or warranties, express or implied, including, but not limited to, any implied warranty of merchantability and any implied warranty of fitness for a particular purpose. In no event shall ALUMAX BATH ENCLOSURES be liable for special, direct, indirect, or consequential damages, including, but not limited to, loss or use of profits.*

Dealers agree to pass on to its customers and users in writing ALUMAX BATH ENCLOSURE's Warranty and Remedy as set forth above.

Laws and building and safety codes governing the design and use of bath enclosures vary widely. ALUMAX BATH ENCLOSURES does not control the selection of product configurations, operating hardware or glazing materials, and assumes no responsibility therefor.

## INSTALLATION NOTES

Unpack your unit carefully and inspect for freight damage. Lay out and identify all parts using the instruction sheets as a reference. Before discarding the carton, check for small hardware bags that tend to fall to the bottom of the box. If any parts are damaged or missing, refer to the descriptions noted in the instructions when contacting your dealer for replacements.

Handle the glass panels carefully and protect the edges. Safety tempered glass is very resistant to breakage, but the sharp corners of the panels can damage tile and floor coverings.

Please wear safety glasses whenever drilling or cutting. When drilling holes in ceramic tile or marble, use a center punch and hammer to carefully break the surface glaze so the drill can start without skidding.

To install your Alumax Bath Enclosure you will need the following: tape measure, level, #2 Phillips screwdriver, flat screwdriver, drill, 7/64", 1/8" and 3/16" drill bits, hacksaw, pencil, and caulking (clear silicone recommended). Optional tools include a miter box for cutting parts to length, files, center punch and masking tape.

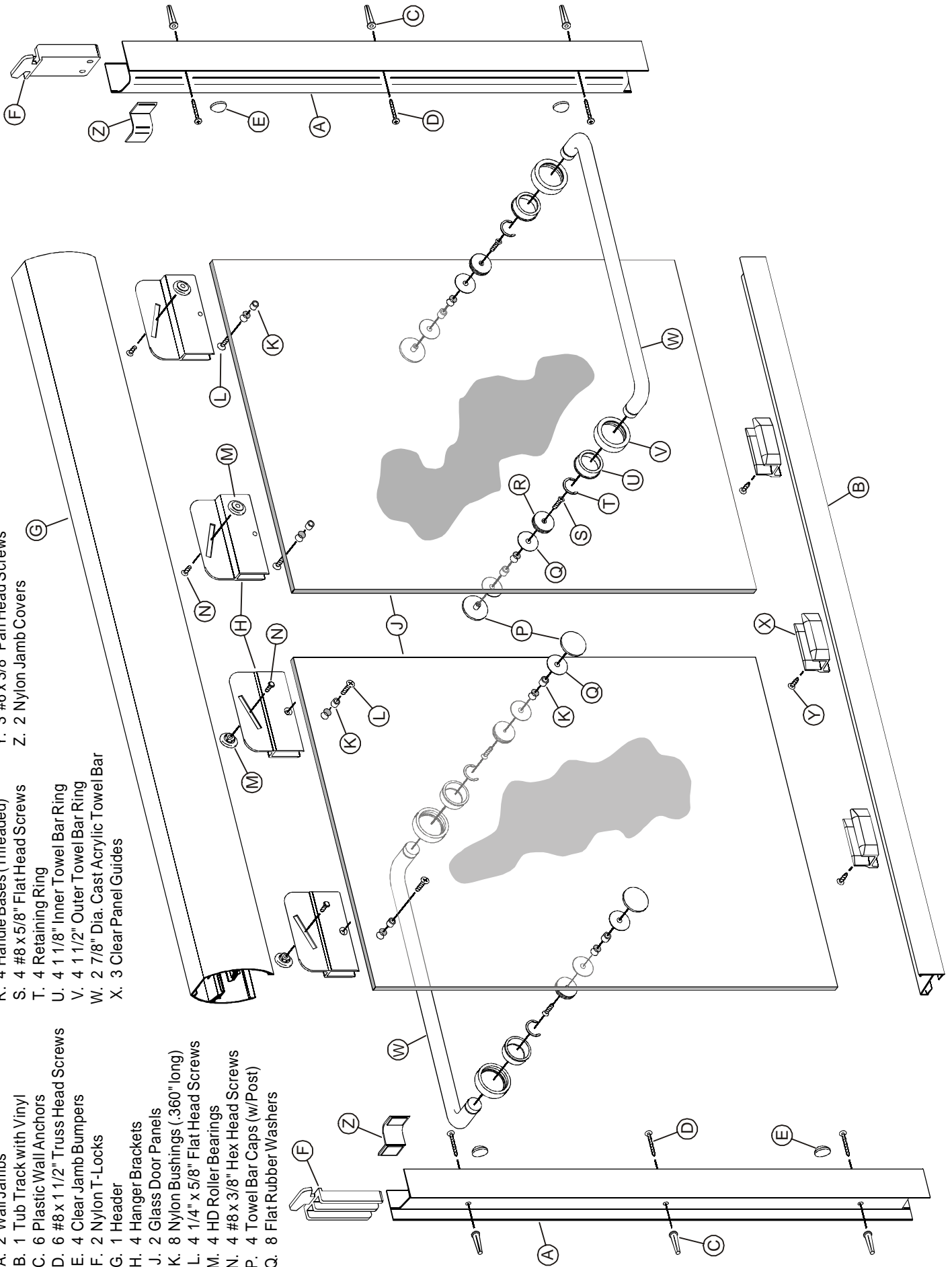
NOTE: Before beginning installation, check the tub (or shower) rim for level and both walls for plumb. If either are off more than 1/4" to 3/8", you may want to contact your dealer for tapered fillers which can be used to level the tub track or plumb the wall jambs.

**CAUTION:** The 1040/1050 door panels weigh 50 to 70 pounds each. To prevent personal injury or damage, the unit must be properly installed with the wall jambs and header securely anchored. A helper may be needed when hanging the door panels.

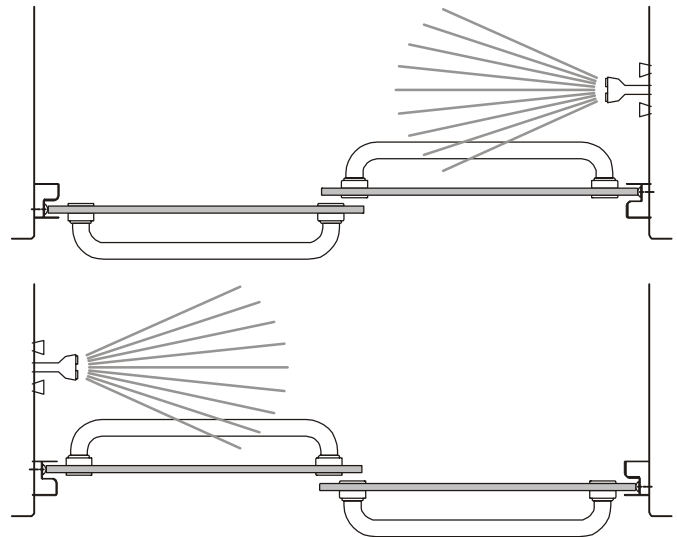
# 1040/1050 PARTS LIST

- A. 2 Wall Jamb
- B. 1 Tub Track with Vinyl
- C. 6 Plastic Wall Anchors
- D. 6 #8 x 1 1/2" Truss Head Screws
- E. 4 Clear Jamb Bumpers
- F. 2 Nylon T-Locks
- G. 1 Header
- H. 4 Hanger Brackets
- J. 2 Glass Door Panels
- K. 8 Nylon Bushings (.360" long)
- L. 4 1/4" x 5/8" Flat Head Screws
- M. 4 HD Roller Bearings
- N. 4 #8 x 3/8" Hex Head Screws
- P. 4 Towel Bar Caps (w/Post)
- Q. 8 Flat Rubber Washers

- R. 4 Handle Bases (Threaded)
- S. 4 #8 x 5/8" Flat Head Screws
- T. 4 Retaining Ring
- U. 4 1 1/8" Inner Towel Bar Ring
- V. 4 1 1/2" Outer Towel Bar Ring
- W. 2 7/8" Dia. Cast Acrylic Towel Bar
- X. 3 Clear Panel Guides
- Y. 3 #6 x 3/8" Pan Head Screws
- Z. 2 Nylon Jamb Covers



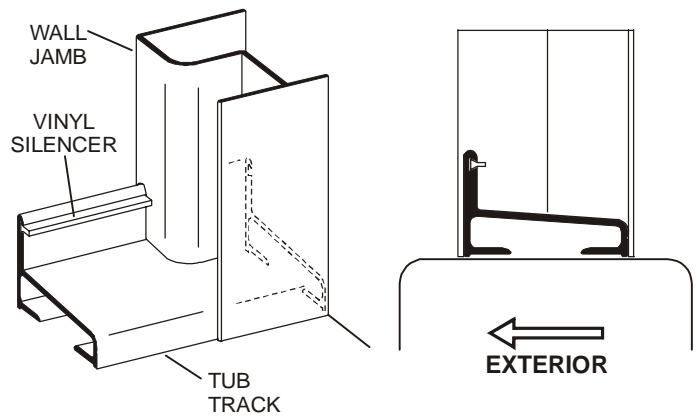
**1** The **1040/1050** Heavy Frameless Bypass Bath Enclosure is supplied with reversible pocketed wall jambs [A]. The jambs are notched on both ends to fit over the tub track [B]. It is important to determine the proper orientation of the unit before marking and drilling the walls for the wall jamb attachment hardware. For maximum waterproofing, position the interior panel closest to the shower head, as shown in the illustration.



**2** Measure the wall-to-wall opening along the center of the bath sill (or tub rim). Cut the tub track (with vinyl silencer) [B] 1/16" short of this dimension. An inexpensive miter box (available at your local hardware store) will help you get clean square cuts.

Position the tub track in the center of the bath sill with the tall leg to the exterior. It may be necessary to file a radius on the ends of the tub track and wall jambs to match the corners of the enclosure.

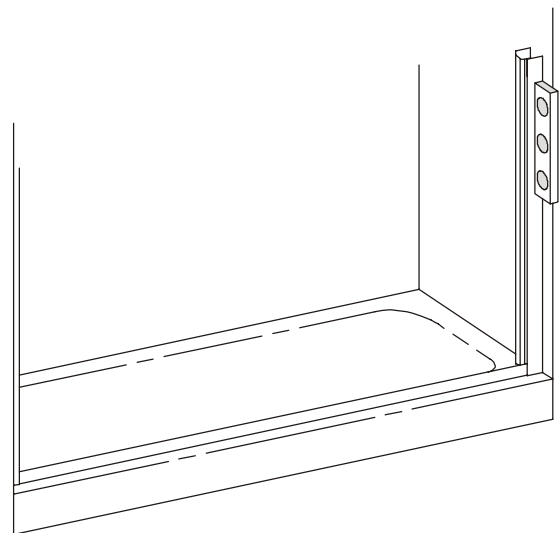
Press both wall jambs [A] into position over the tub track. Masking tape can be used to hold the parts in place temporarily.



**3** Use a level to plumb both wall jambs [A], then mark the pre-drilled hole locations on the wall. Lightly mark along both sides of the tub track [B] with a pencil, then remove all parts.

For tile or marble walls, drill six 3/16" diameter holes and insert the plastic wall anchors [C]. Attachments to fiberglass or acrylic units can be made in two ways. If a reinforcement is built into the wall of unit, drill six 1/8" holes to install mounting screws directly into the reinforcement. If walls are not reinforced, drill six 3/16" holes and install plastic wall anchors or toggle bolts (toggle bolts not supplied by ALUMAX).

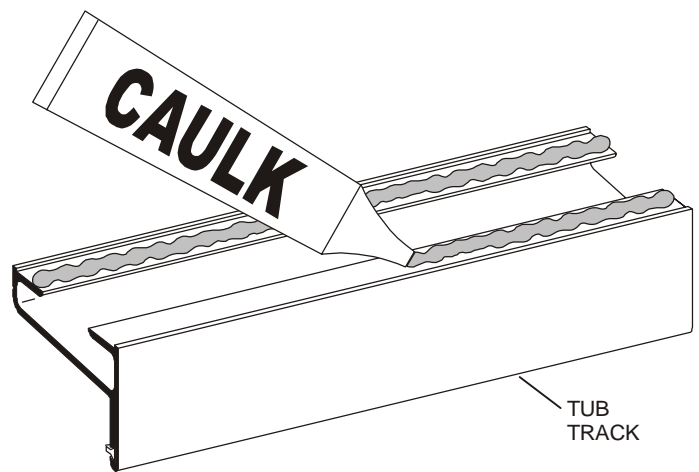
**CAUTION:** The track should never be screwed to the tub. This will damage the tub and cause leakage.



**4**

Before replacing the tub track [B], force a slight downward bow in the extrusion. This will ensure the track fits tight to the sill. Run a bead of caulk on both flat surfaces on the bottom of the tub track. Then replace the track on the bath sill in the exact position marked in Step #3 and with the tall leg to the exterior of the bath. Seat the tub track firmly.

NOTE: Improper caulking will result in leaks.

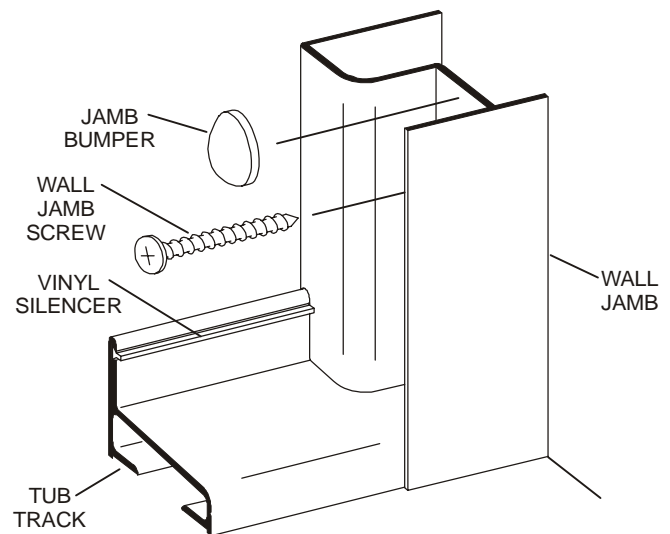


**5**

Replace one wall jamb [A] and attach it to the wall with three #8 x 1 1/2" truss head screws [D]. Check the jamb for plumb and tighten the screws. Repeat for the other wall jamb.

NOTE: Do not overtighten the jamb screws.

Peel the backing from the four clear vinyl jamb bumpers [E] and attach them in the pockets of the wall jambs. Place the bumpers approximately 1" below the upper screw and 1" above the lower screw.

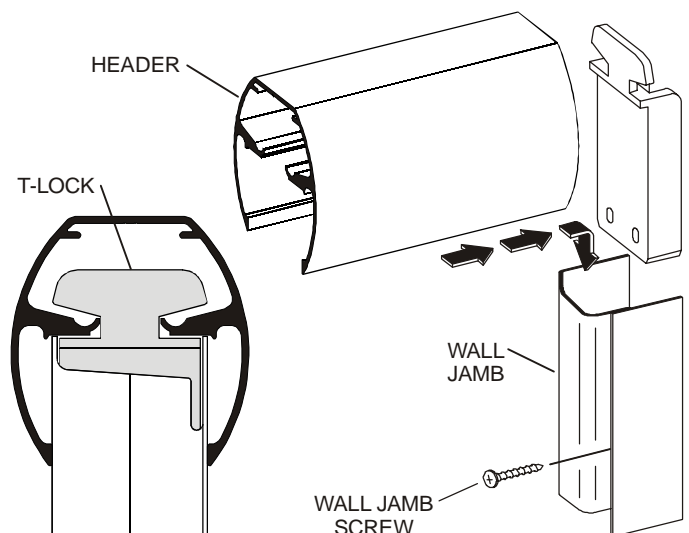


**6**

This bath enclosure is equipped with molded nylon T-locks [F] for safety. When properly installed, the header [G] is locked to the wall jambs [A] and cannot be accidentally dislodged.

Measure the wall-to-wall opening at the top of the wall jambs and cut the header 1/16" short of this dimension. Check the header for fit.

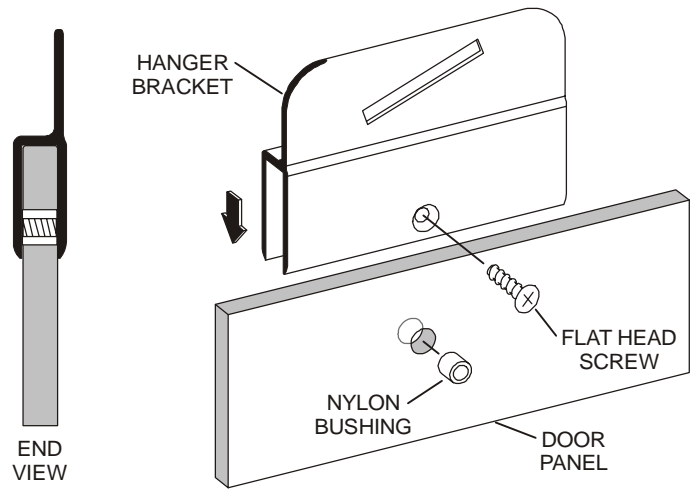
Slide the two T-locks into each end of the header as shown. Set the header down onto the wall jambs with the T-locks fitting into the space behind the wall jamb. Remove the top wall jamb screws [D]. Pull the header and T-locks downward until the top wall jamb screws can be reinstalled and tightened.



# 7

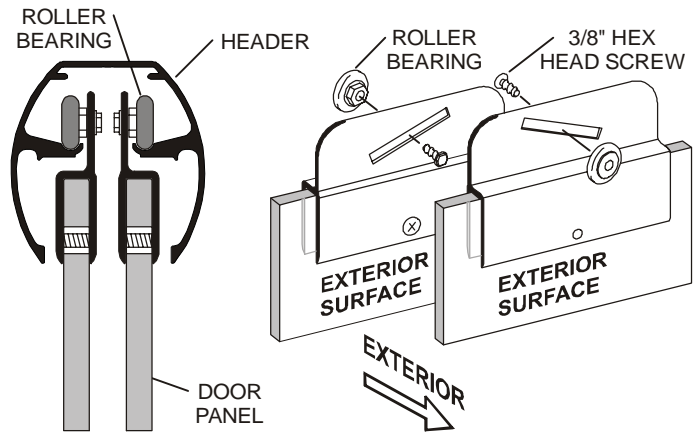
NOTE: Obscure glass doors should be installed with the rough surface of the glass to the exterior of the unit. Deco or etched glass doors should be installed with the patterned surface to the inside. The towel bar mounting hole closest to the edge of each glass panel should be to the outside (refer to the illustration on Step #1).

Determine the proper orientation of the door hanger brackets [H] to the glass door panels [J]. Fit four of the nylon bushings [K] into the 3/8" diameter holes in the top edge of the door panels. Slide the four hanger brackets onto the top edge of the panels until the countersunk holes line up with the bushings. Secure the brackets to the door panels with four 1/4"-20 x 5/8" [L] flat head screws.



# 8

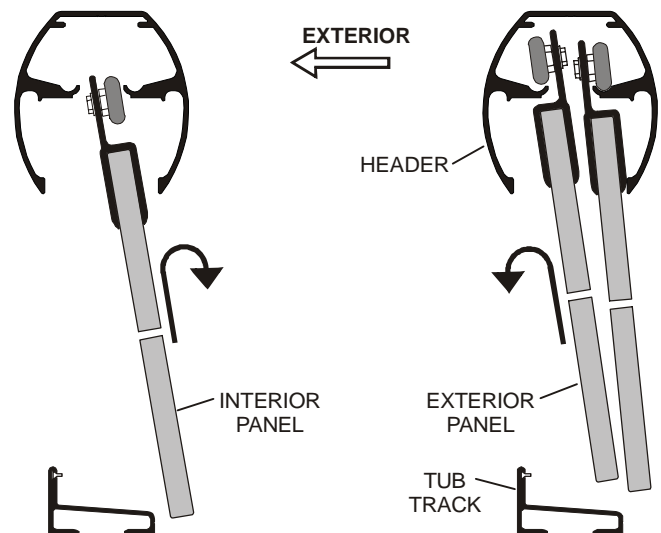
Attach the four black heavy-duty roller bearings [M] to the door hanger brackets [H] as shown, using #8-32 x 3/8" hex head screws [N]. The rollers should be approximately centered in the slots in the bracket fins.



# 9

Lift the interior door panel [J] (exterior surface closest to fin) into position with the roller bearings [M] engaging the roller slot in the header [G]. If the door panel is not parallel to the wall jambs, remove and adjust the roller bearings up or down to compensate.

Repeat for the exterior door panel (exterior surface away from the fin).

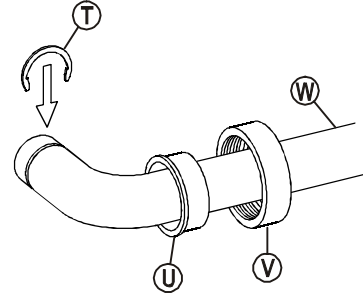


---

---

# 10

Place one outer towel bar ring [V] and one inner towel bar ring [U] over one end of the Acrylic Bar [W]. Slide the rings past the groove in the bar and snap a retaining ring [T] into the groove. Repeat for the other end of the bar.



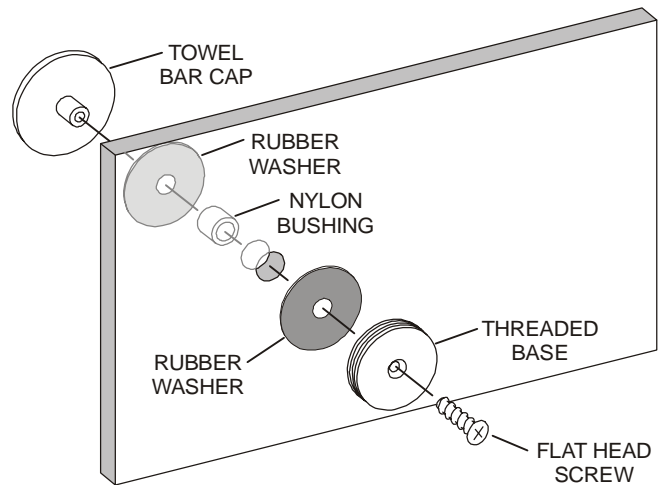
---

---

# 11

Place a nylon bushing [K] over the post of a towel bar cap [P]. Slip a rubber washer [Q] over the bushing. Insert the cap and bushing into one of the 1/2" holes in one of the doors [J]. Place a second rubber washer against the opposite surface of the glass, position a threaded handle base [R] over it and attach it securely with a #8 x 5/8" flat head screw [S].

Repeat for the other three holes.

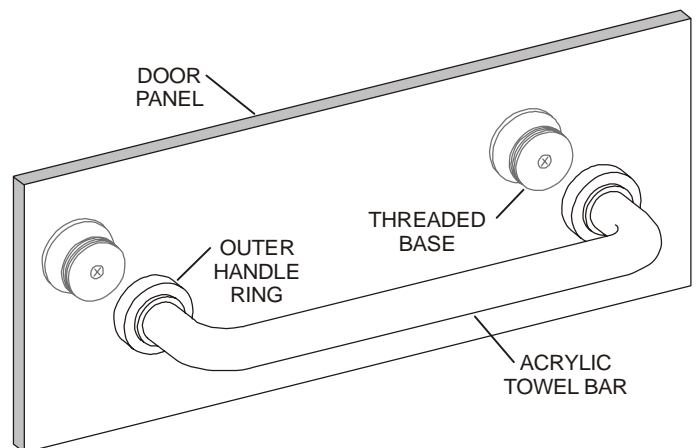


---

---

# 12

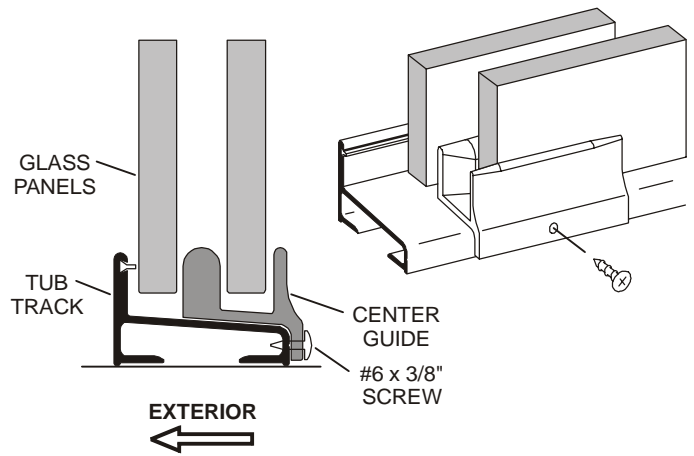
Hold one of the acrylic towel bar assemblies against the threaded handle bases [R] and screw the outer handle rings onto the bases. Do not overtighten or use tools that might damage the finish. Repeat for the remaining towel bar.



# 13

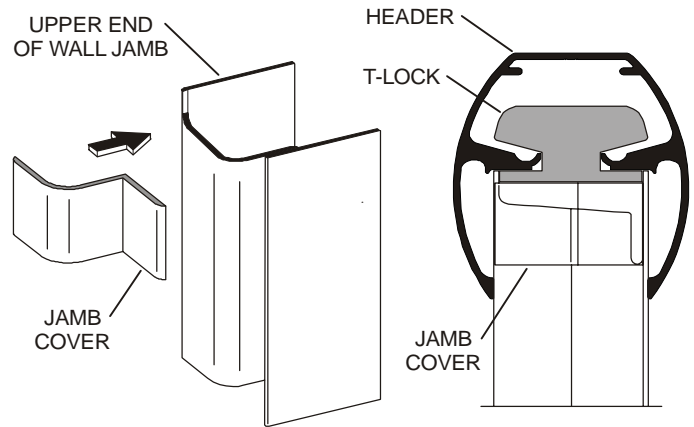
Locate one of the clear panel guides [X] in the middle of the tub track [B] with the door panels [J] in the position shown. With a 7/64" bit, drill a hole into the V-groove through the mounting hole in the guide. Attach the center panel guide with a #6 x 3/8" pan head screw [Y] through the drilled hole.

OPTION: Included in your hardware kit are two extra panel guides and screws that can be used in the center of each panel opening if desired.



# 14

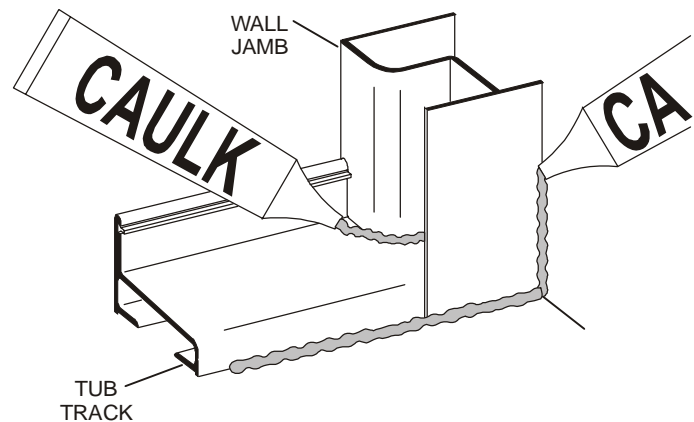
Peel the protective backing from the self-stick tape on the molded jamb covers [Z]. Attach the jamb covers to the upper end of the wall jambs [A] as shown to cover the tooling notches.



# 15

Neatly caulk each end of the tub track [B] where it meets the wall jambs [A] and along the interior edge of the wall jambs as shown. Run a bead of caulking along the interior edge of the tub track.

NOTE: The caulking should be allowed to cure for twenty-four hours before using your new bath enclosure.





---

---

To keep your Alumax Bath Enclosure looking like new we recommend the Alumax ShowerBright Consumer Maintenance Kit. The Consumer Maintenance Kit surface should be applied every 45 to 60 days. To purchase or for more information contact your dealer. Our dealers have the materials to do a professional ShowerBright restoration. For best results professional restorations should be performed a maximum of once every three months. Contact your dealer for more information. New units with factory supplied ShowerBright coating have a limited lifetime warranty. For daily cleaning the simplest and preferred method is to wash the unit with clean water and dry with a soft cloth. Do not use scouring pads, sharp instruments, or acid-based cleansers to clean the unit.

Consumer kits will be sold direct, consumers will need to go to dealers for professional restoration and new units can be purchased with the permanent coating. Consumer kit materials need to be applied every 45 to 60 days, pro materials to be applied once quarterly max and factory has limited lifetime.