

# 1040 & 1050 SERIES HEAVY FRAMELESS BYPASS BATH ENCLOSURE

[www.alumaxshowerdoor.com](http://www.alumaxshowerdoor.com)



## LIMITED WARRANTY AND REMEDY

ALUMAX BATH ENCLOSURES warrants to its dealers, customers, and all subsequent purchasers and users, that the products supplied by it shall be free from material defects in material and workmanship for a period of one (1) year after shipment, provided they are installed and maintained according to ALUMAX BATH ENCLOSURE's recommended practices and installation instructions. This warranty shall apply only to defects appearing within one (1) year from the date of shipment, and provided that ALUMAX BATH ENCLOSURES is promptly notified in writing of such defects. The sole and exclusive remedy with respect to the above warranty or with respect to any other claim relating to defects or any other condition or use of the products supplied by ALUMAX BATH ENCLOSURES, however caused, and whether such claim is based upon warranty contract, negligence, strict liability, or any other theory, is limited to repair or supply of such products, or repayment by ALUMAX BATH ENCLOSURES of the purchase price paid for it, at ALUMAX BATH ENCLOSURE's option.

*ALUMAX BATH ENCLOSURES does not make any other representations or warranties, express or implied, including, but not limited to, any implied warranty of merchantability and any implied warranty of fitness for a particular purpose. In no event shall ALUMAX BATH ENCLOSURES be liable for special, direct, indirect, or consequential damages, including, but not limited to, loss or use of profits.*

Dealers agree to pass on to its customers and users in writing ALUMAX BATH ENCLOSURE's Warranty and Remedy as set forth above.

Laws and building and safety codes governing the design and use of bath enclosures vary widely. ALUMAX BATH ENCLOSURES does not control the selection of product configurations, operating hardware or glazing materials, and assumes no responsibility therefor.

## INSTALLATION NOTES

Unpack your unit carefully and inspect for freight damage. Lay out and identify all parts using the instruction sheets as a reference. Before discarding the carton, check for small hardware bags that tend to fall to the bottom of the box. If any parts are damaged or missing, refer to the descriptions noted in the instructions when contacting your dealer for replacements.

Handle the glass panels carefully and protect the edges. Safety tempered glass is very resistant to breakage, but the sharp corners of the panels can damage tile and floor coverings.

Please wear safety glasses whenever drilling or cutting. When drilling holes in ceramic tile or marble, use a center punch and hammer to carefully break the surface glaze so the drill can start without skidding.

To install your Alumax Bath Enclosure you will need the following: tape measure, level, #2 Phillips screwdriver, flat screwdriver, drill, 7/64", 1/8" and 3/16" drill bits, hacksaw, pencil, and caulking (clear silicone recommended). Optional tools include a miter box for cutting parts to length, files, center punch and masking tape.

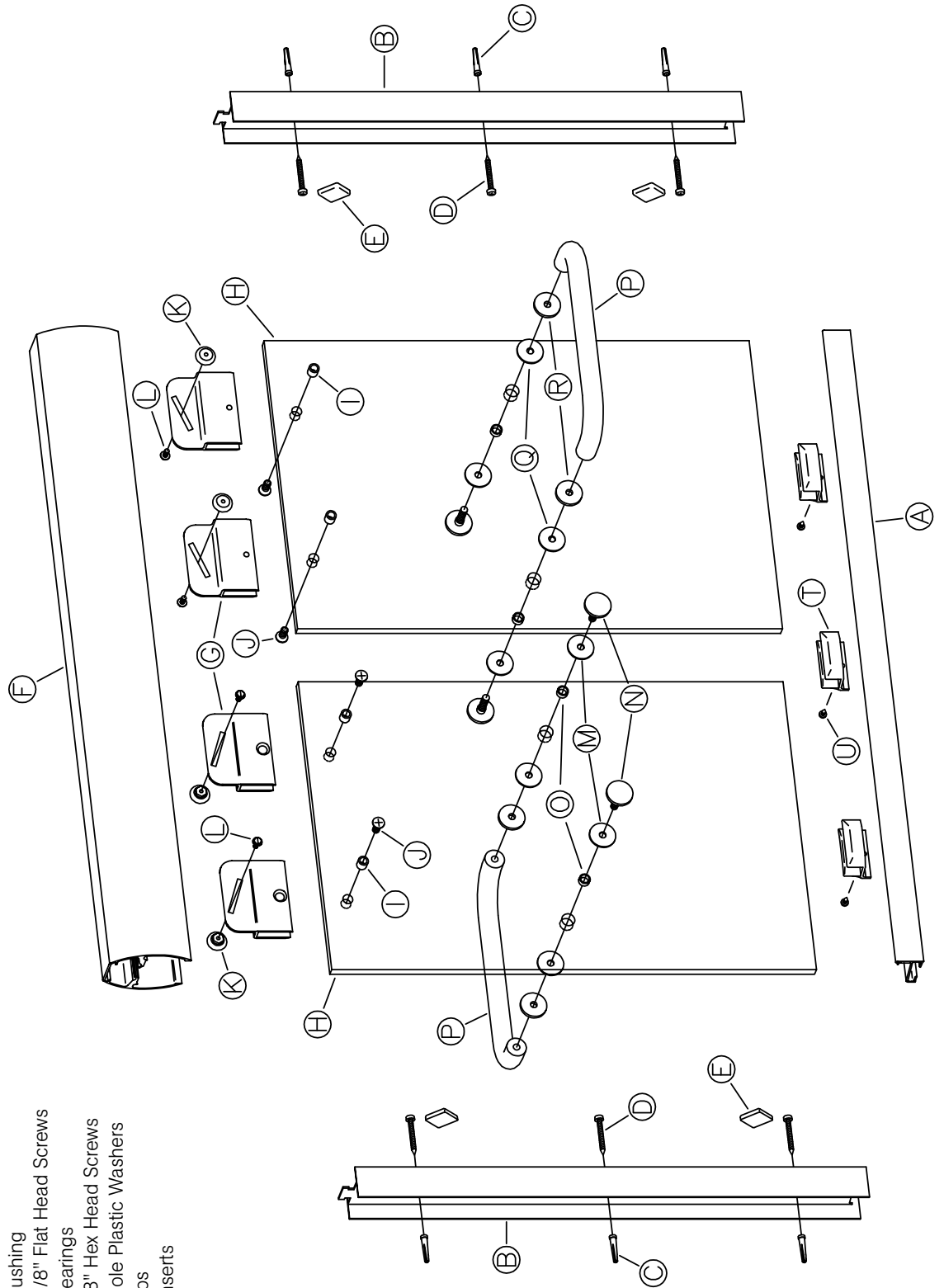
NOTE: Before beginning installation, check the tub (or shower) rim for level and both walls for plumb. If either are off more than 1/4" to 3/8", you may want to contact your dealer for tapered fillers which can be used to level the tub track or plumb the wall jambs.

**CAUTION:** The 1040/1050 door panels weigh 50 to 70 pounds each. To prevent personal injury or damage, the unit must be properly installed with the wall jambs and header securely anchored. A helper may be needed when hanging the door panels.

# 1040/1050 PARTS LIST

- A.** 1 Tub Track
- B.** 2 Wall Jamb
- C.** 6 Wall Anchors
- D.** 6 #8 x 1 1/2" Truss Head Screws
- E.** 4 Clear Jamb Bumpers
- F.** 1 Header
- G.** 4 Hanger Brackets
- H.** 2 Glass Door Panels
- I.** 4 Nylon Bushing
- J.** 4 1/4" x 5/8" Flat Head Screws
- K.** 4 Roller Bearings
- L.** 4 #8 x 3/8" Hex Head Screws
- M.** 4 Large Hole Plastic Washers
- N.** 4 End Caps
- O.** 4 Glass Inserts

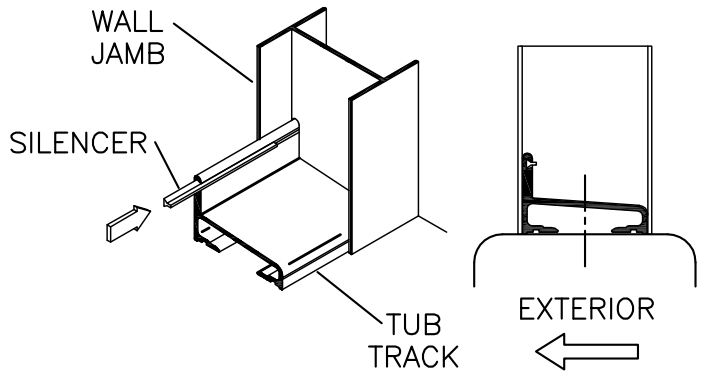
- P.** 2 Towel Bars
- Q.** 4 Small Hole Plastic Washers
- R.** 4 Metal Washers
- S.** 1 Wrench (Not Shown)
- T.** 3 Clear Panel Guides
- U.** 3 #6 x 3/8" Pan Head Screws
- V.** 1 Vinyl Silencer



---

---

**1** Measure the wall-to-wall opening along the center of the tub rim. Cut the tub track **[A]** 1/16" short of this dimension. An inexpensive miter box available at your local hardware store will help you get clean square cuts. If the vinyl silencer **[V]** is separate from the tub track **[A]** slide the silencer into the slot in the tub track and trim to the same length.



Position the tub track in the center of the tub rim with the tall leg to the exterior. It may be necessary to file a radius on the ends of the tub track and wall jambs to match the corners of the tub.

Press both wall jambs **[B]** into position over the tub track. Masking tape can be used to hold all the parts in place temporarily.

---

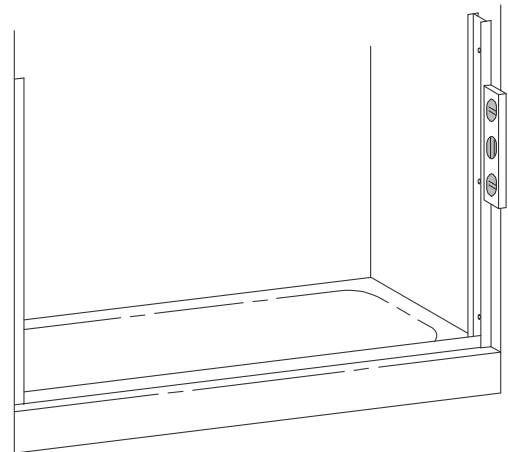
---

**2** Use a level to plumb both wall jambs **[B]**, then mark the pre-drilled hole locations on the wall. Lightly mark both sides of the tub track **[A]** with a pencil, and then remove all the parts.

For tile or marble walls, drill six 7/32" diameter holes and insert the plastic wall anchors **[C]**. A center punch helps locate the holes accurately.

Attachments to fiberglass or acrylic units can be made in 2 ways. If reinforcement is built into the wall of the unit, drill six 1/8" diameter holes and install the screws directly into the reinforcement. If the walls are not reinforced, drill six 7/32" diameter holes and insert the plastic wall anchors or molly bolts (molly bolts not supplied by Alumax).

**CAUTION:** The tub track should never be screwed to the tub. This will damage the tub and cause leakage.

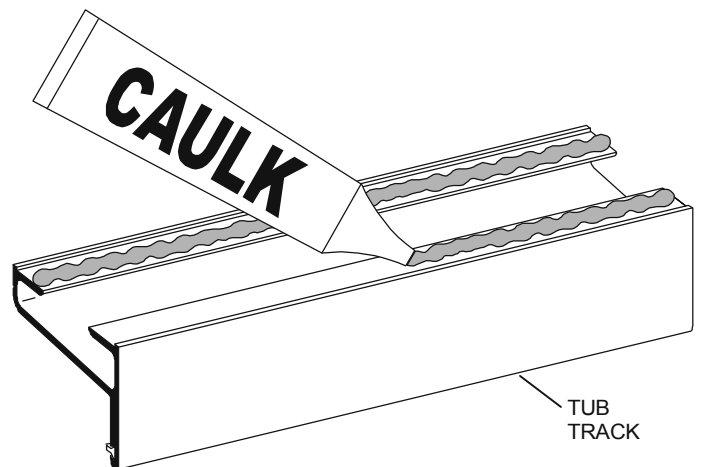


---

---

**3** Before replacing the tub track **[A]**, force a slight downward bow in the extrusion. This will ensure the track fits tight to the sill. Run a bead of caulk on both flat surfaces on the bottom of the tub track. Then replace the track on the bath sill in the exact position marked in Step #2 and with the tall leg to the exterior of the bath. Seat the tub track firmly.

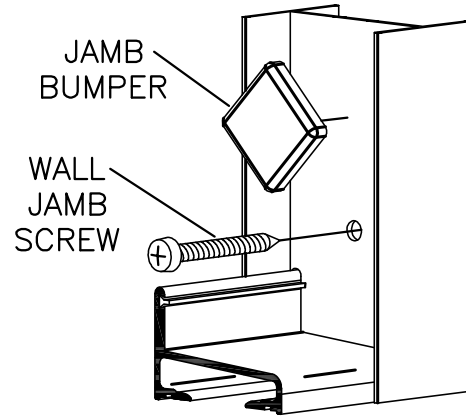
**NOTE:** Improper caulking will result in leaks.



**4** Replace one wall jamb [B] and attach it to the wall with three #8 x 1 1/2" truss head screws [D] inserted through the three pre-drilled holes. Check the wall jamb for plumb and tighten the screws.

**NOTE:** Do not over tighten the wall jamb screws.

Peel the backing from two of the four clear vinyl jamb bumpers [E] and attach them to the wall jamb. Place the bumpers approximately 1" below the top wall jamb screw and 1" above the bottom wall jamb screw. Orient the bumper in a diamond fashion for maximum contact with the door glass, as shown.

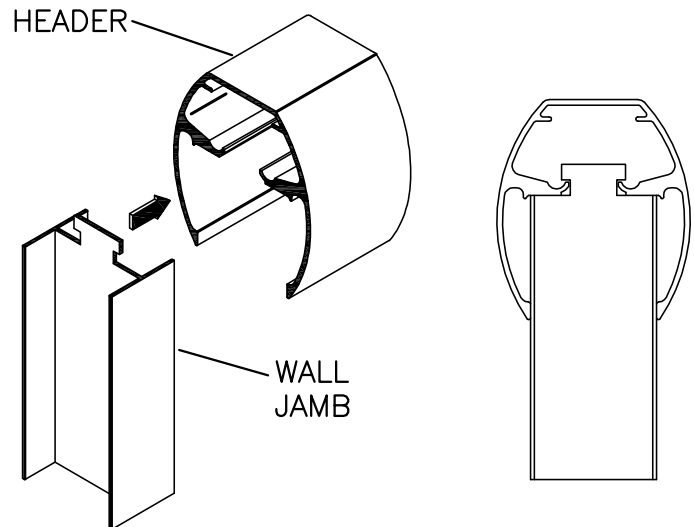


**5** This bath enclosure is equipped with safety tee-lock wall jambs. When installed properly the header is permanently locked to the wall jambs and cannot be accidentally dislodged.

Measure the wall-to-wall opening at the top of the wall jambs [B] and cut the header [F] 1/16" short of this dimension. Check the header for fit.

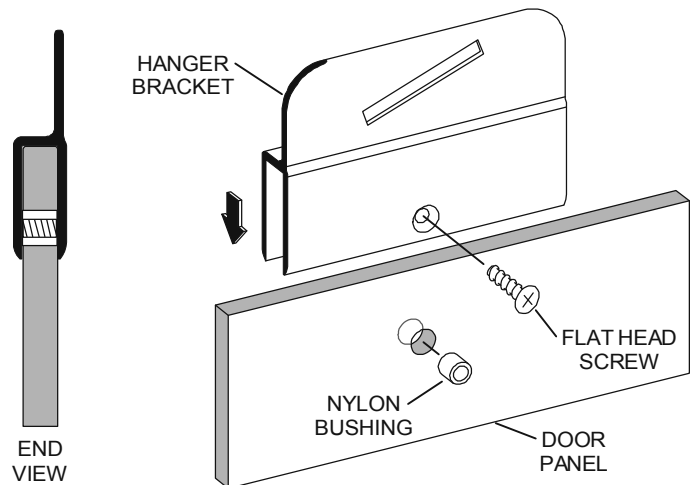
Slide the safety tee-lock of the unmounted wall jamb into the header.

Holding the header [F] at an angle, engage the end onto the mounted wall jamb. Pivot the header into place, then slide the loose wall jamb to the wall and press into position on the tub track. Attach the loose wall jamb to the wall per the instructions in step 4.

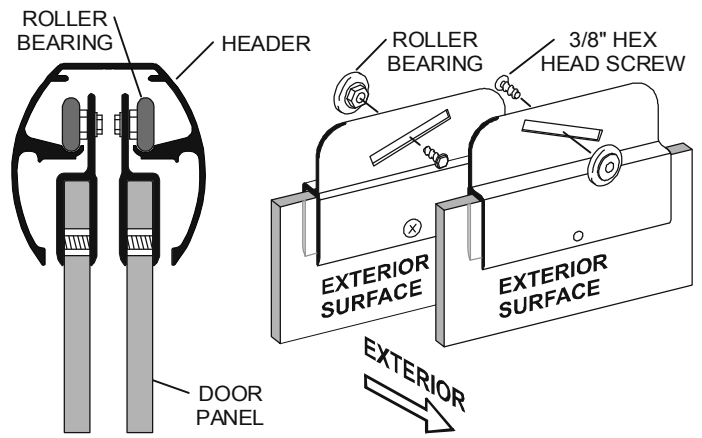


**6** **NOTE:** Obscure glass doors should be installed with the rough surface of the glass to the exterior of the unit. Deco or etched glass doors should be installed with the patterned surface to the inside. The towel bar mounting hole closest to to the edge of each glass panel should be to the outside.

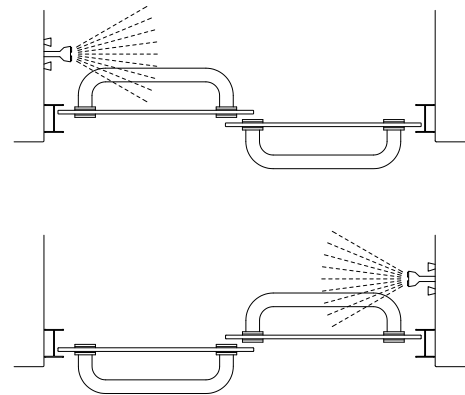
Determine the proper orientation of the door hanger brackets [G] to the glass door panels [H]. Fit four of the nylon bushings [I] into the 3/8" diameter holes in the top edge of the door panels. Slide the four hanger brackets onto the top edge of the panels until the countersunk holes line up with the bushings. Secure the brackets to the door panels with four 1/4"-20 x 5/8" [J] flat head screws.



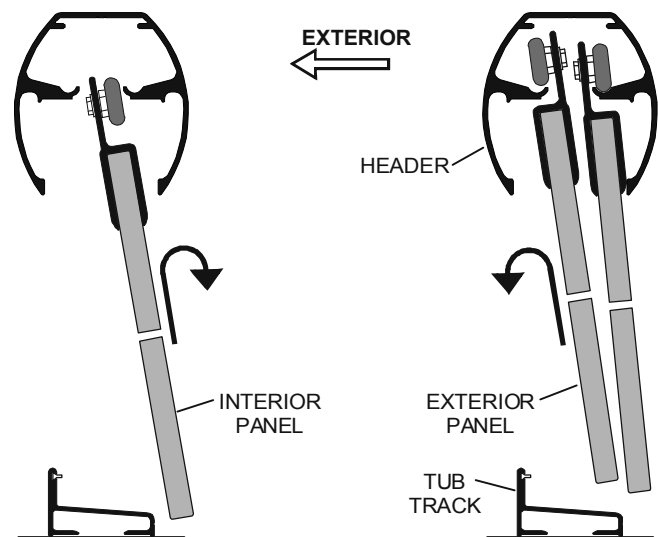
**7** Attach the four black heavy-duty roller bearings **[K]** to the door hanger brackets **[G]** as shown, using #8-32 x 3/8" hex head screws **[L]**. The rollers should be approximately centered in the slots in the bracket fins.



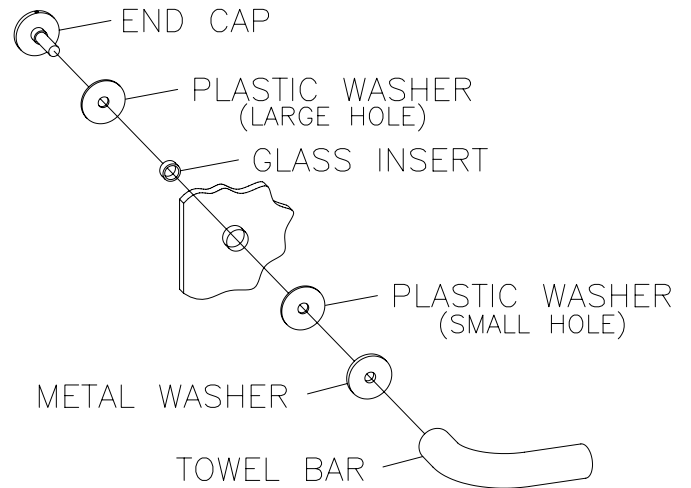
**8** Before installing the door panels, the proper orientation should be determined. For maximum water-proofing, the interior panel should always be positioned closest to the shower head, as shown in this illustration.



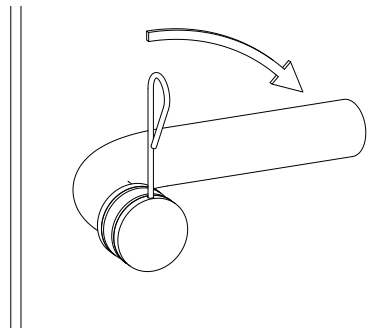
**9** Lift the interior door panel **[H]** (exterior surface closest to fin) into position with the roller bearings **[K]** engaging the roller slot in the header **[F]**. If the door panel is not parallel to the wall jambs, remove and adjust the roller bearings up or down to compensate. Repeat for the exterior door panel (exterior surface away from the fin).



**10** Locate the four, large hole, plastic washers [M] and place them over the threads and flush with the four end caps [N]. Next, place the four glass inserts [O] onto the four end caps [N] and flush with the plastic washers [M]. In step 6 the interior and exterior panels were determined by setting the orientation of the hanger brackets [G]. The towel bars [P] will be installed on the same side of the panels as the rollers in the hanger brackets [G]. Insert the threaded portion of an end cap [N] through one of the holes in a glass panel [H], making sure that it is located on the opposite side from the rollers on the hanger brackets [G]. Place a, small hole, plastic washer [Q] and a metal washer [R] on the end cap threads. Now, loosely, thread the towel bar [P] onto the exposed threads of the end cap [N]. Make another end cap assembly, and thread into the other end of the towel bar [P]. Repeat this process for the other glass panel [H], making sure that the towel bar is located on the same side as the rollers in the hanger brackets [G].

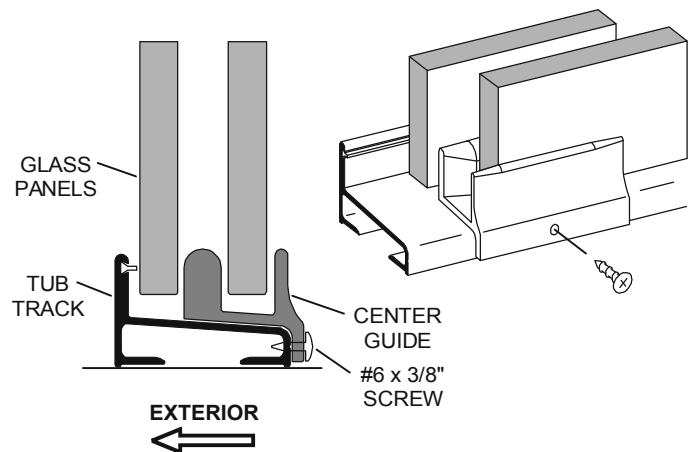


**11** Insert the wrench [S] into the small hole on the edge of an end cap [N] and rotate in a clockwise direction until tight. Repeat for all remaining end caps.



**12** Locate one of the clear panel guides [T] in the middle of the tub track [A] with the door panels [H] in the position shown. With a 7/64" bit, drill a hole into the V-groove through the mounting hole in the guide. Attach the center panel guide with a #6 x 3/8" pan head screw [U] through the drilled hole.

**OPTION (Recommended):** Included in your hardware kit are two extra panel guides and screws that can be used in the center of each panel opening if desired.



---

---

# 13

Neatly caulk each end of the tub track **[A]** where it meets the wall jambs **[B]** and along the interior edge of the wall jambs as shown. Run a bead of caulking along the interior edge of the tub track.

**NOTE:** The caulking should be allowed to cure for twenty-four hours before using your new bath enclosure.

