

1040 & 1050 SERIES HEAVY FRAMELESS BYPASS BATH ENCLOSURE

www.alumaxshowerdoor.com



Three-Year Limited Residential Warranty

Alumax Bath Enclosures by Sapa is pleased to warrant to its dealers and residential customers that the products supplied by it shall be free from defects in material and workmanship for three (3) years from purchase of the product, provided they are installed and maintained according to the manufacturer's recommended practices and installation instructions.¹ The Alumax Limited Warranty applies to the original residential owner only, and is not transferable.

**Proof of Purchase and/or Registration of the product required for warranty coverage.
Registration instructions accompany the product or available at www.alumaxshowerdoor.com.**

What Will Alumax Do?

Alumax will repair or replace, at its discretion, any product found to be defective in material or workmanship during the applicable warranty period. Labor is not included. In the case of discontinued products subject to warranty coverage, Alumax reserves the right to substitute comparable product of equivalent function.

What is Not Covered?

This limited warranty applies only to materials and workmanship supplied by Alumax. This limited warranty does not cover glass (claims of glass breakage are excluded) or outside fabrication provided by others. It excludes all wear items and does not cover defects caused by improper installation of the product. Laws and building and safety codes governing the design and use of bathrooms vary widely. Alumax does not control the selection of product, configurations, operating hardware or glazing materials, and assumes no responsibility for such.

ALUMAX DOES NOT MAKE ANY OTHER REPRESENTATIONS OR WARRANTIES, EXPRESS OR IMPLIED, INCLUDING, BUT NOT LIMITED TO, ANY IMPLIED WARRANTY OF MERCHANTABILITY OR ANY IMPLIED WARRANTY OF FITNESS FOR A PARTICULAR PURPOSE. TO THE EXTENT ANY IMPLIED WARRANTIES ARE IMPLIED UNDER STATE LAW, SUCH WARRANTIES ARE LIMITED TO THE DURATION OF THE APPLICABLE LIMITED WARRANTY TIME FRAME OF THREE (3) YEARS.

IN NO EVENT SHALL ALUMAX BE LIABLE FOR SPECIAL, DIRECT, INDIRECT, OR CONSEQUENTIAL DAMAGES, INCLUDING, BUT NOT LIMITED TO, LOSS OF USE OR PROFITS, PERSONAL INJURY, OR DAMAGE TO OTHER PROPERTY.

Some states do not allow the exclusion or limitation of implied warranties, or the exclusion or limitation of special, incidental or consequential damages, therefore these limitations and exclusions may not apply to you.

This warranty gives you specific legal rights, and you may also have other rights which vary from state to state.

How do You Get Warranty Assistance?

To make a claim under the terms of this Limited Warranty, contact your local Alumax Dealer or call or write Alumax Consumer Service at 800-643-1514, 248 W. Greene St., Magnolia, AR 71753. Proof of Purchase and/or Registration of the product is required for warranty coverage.

¹ The manufacturer's recommended practices and installation instructions are available at www.alumaxshowerdoor.com, by contacting your local Alumax Dealer, or by calling or writing Alumax Customer Service at 800-643-1514, 248 W. Greene St., Magnolia, AR 71753.

August 18, 2014

!WARNINGS!

Alumax Bath Enclosures by Sapa are intended to be installed by experienced installers. If you need assistance with installation, or locating an experienced installer, contact Alumax Consumer Service at 800-643-1514. Ensure that the bath enclosure is installed appropriately. Improper installation can lead to breakage, damage or improper performance of the bath enclosure.

Wear safety glasses when drilling or cutting to avoid injury to the eyes.

When drilling holes in ceramic tile or marble, use a center punch and hammer to carefully break the surface glaze so the drill can start without skidding. A skidding drill can cause damage to the surface and can be dangerous (risk of personal injury).

Use caution and proper technique whenever using tools to avoid damage to property and/or personal injury.

Shower doors are not water-tight. They are designed to prevent leaks under normal shower conditions. Excessive water pressure or directing the shower directly at the door can result in leaks.

Do not hang on towel bars or handles or use them to support your weight getting in and out of the bathtub or shower. Towel bars and handles are not intended to be used as grab bars for assistance getting in and out of the shower or bathtub. They are not intended to support a person's weight and could break.

Do not use excessive force when opening and closing shower doors. Excessive force could lead to glass breakage or other damage to the enclosure.

!GLASS WARNINGS!

TEMPERED GLASS CANNOT BE CUT. Attempting to cut tempered glass will result in the glass breaking or shattering.

USE CAUTION WHEN HANDLING GLASS PANELS. Safety tempered glass is very resistant to breakage, but it can still break if unequal pressure is placed on it during installation (or if cutting of the glass is attempted). In addition, the sharp corners of the panels can damage tile and floor coverings or cause injury.

BEFORE BEGINNING INSTALLATION

Unpack your unit carefully and inspect for freight damage. Lay out and identify all parts using the instruction sheets as a reference. Before discarding the carton, check for small hardware bags that tend to fall into the bottom of the box. If any parts are damaged or missing, refer to the descriptions noted in the instructions when contacting your dealer for replacements.

To install your Alumax Bath Enclosure by Sapa, you will need the following: tape measure, level, #2 Phillips screwdriver, flat screwdriver, drill, 1/8", 7/64" and 3/16" drill bits, hacksaw, pencil, and caulking (clear silicone recommended). Optional tools include a miter box for cutting parts to length, files, center punch and masking tape.

NOTE: Before beginning installation, check the tub rim for level and both walls for plumb. If either are off more than ¼" to 3/8", you may want to contact your dealer for tapered fillers which can be used to level the tub track or plumb the wall jams.

CARE AND CLEANING

The simplest and preferred method of cleaning your unit is by washing it with clean water and drying with a soft cloth.

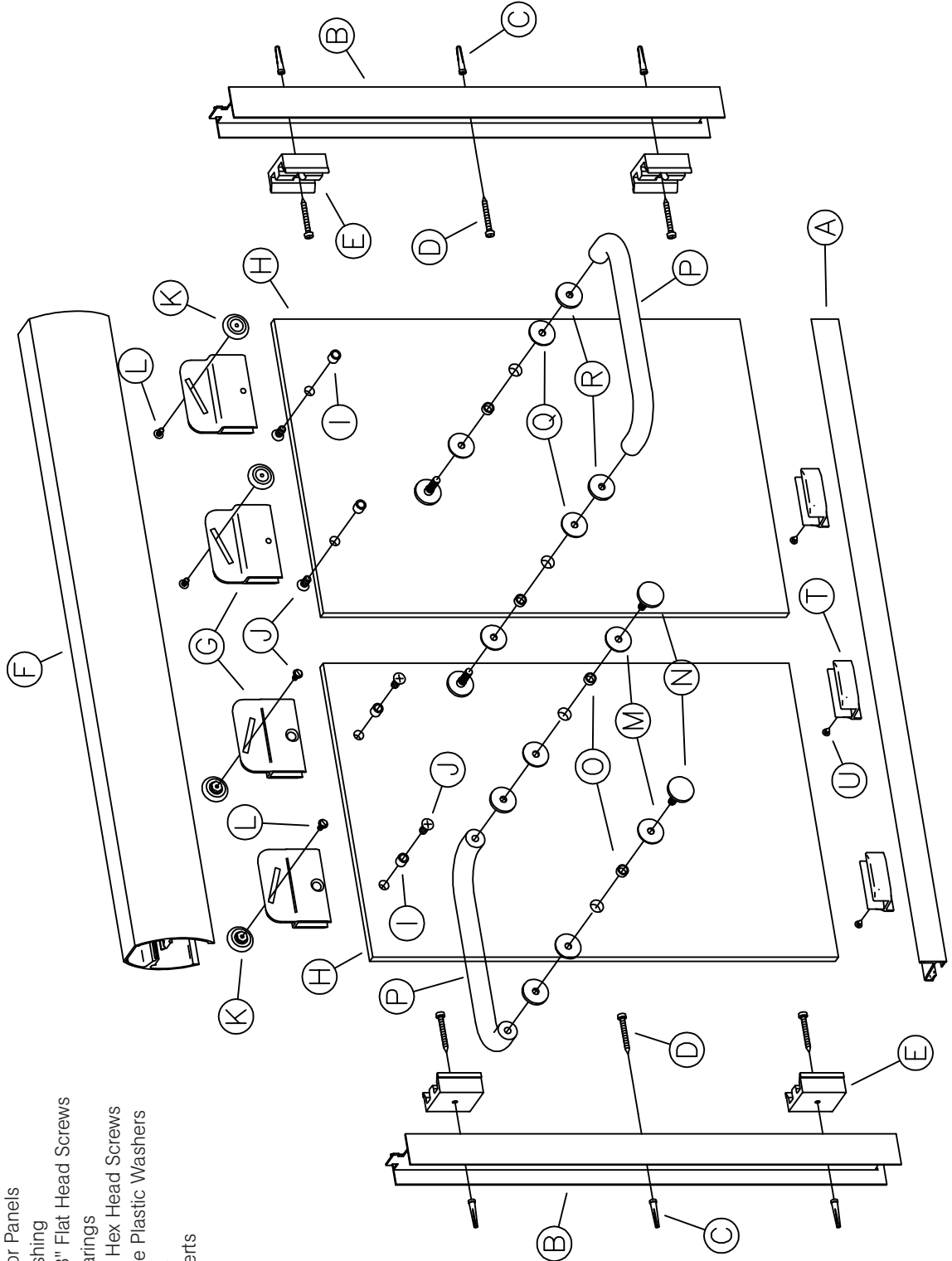
If soil is still present after drying, a non-abrasive cleanser with a pH of seven to eight may be used. Comet Bathroom Cleaner® has been tested and is recommended by the Bath Enclosure Manufacturers Association (BEMA).

DO NOT USE SCOURING PADS, SHARP INSTRUMENTS, BLEACH OR ACID-BASED CLEANSERS TO CLEAN THE UNIT AS THEY MAY DAMAGE THE UNIT.

1040/1050 PARTS LIST

- A.** 1 Tub Track
- B.** 2 Wall Jamb
- C.** 6 Wall Anchors
- D.** 6 #8 x 1 1/2" Truss Head Screws
- E.** 4 Jamb Bumpers
- F.** 1 Header
- G.** 4 Hanger Brackets
- H.** 2 Glass Door Panels
- I.** 4 Nylon Bushing
- J.** 4 1/4" x 5/8" Flat Head Screws
- K.** 4 Roller Bearings
- L.** 4 #8 x 3/8" Hex Head Screws
- M.** 4 Large Hole Plastic Washers
- N.** 4 End Caps
- O.** 4 Glass Inserts

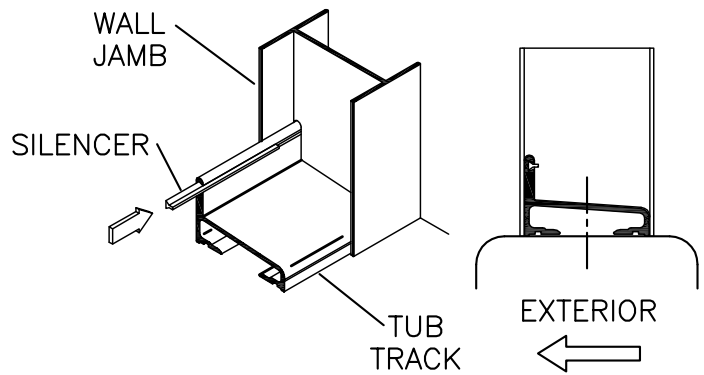
- P.** 2 Towel Bars
- Q.** 4 Small Hole Plastic Washers
- R.** 4 Metal Washers
- S.** 1 Wrench (Not Shown)
- T.** 3 Clear Panel Guides
- U.** 3 #6 x 3/8" Pan Head Screws
- V.** 1 Vinyl Silencer



1 Measure the wall-to-wall opening along the center of the tub rim. Cut the tub track **[A]** 1/16" short of this dimension. An inexpensive miter box available at your local hardware store will help you get clean square cuts. If the vinyl silencer **[V]** is separate from the tub track **[A]** slide the silencer into the slot in the tub track and trim to the same length.

Position the tub track in the center of the tub rim with the tall leg to the exterior. It may be necessary to file a radius on the ends of the tub track and wall jambs to match the corners of the tub.

Press both wall jambs **[B]** into position over the tub track. Masking tape can be used to hold all the parts in place temporarily.

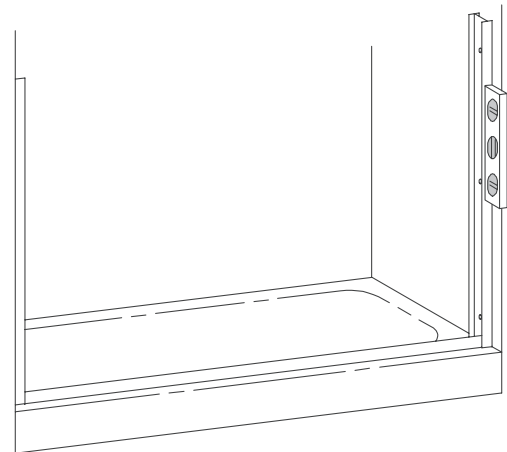


2 Use a level to plumb both wall jambs **[B]**, then mark the pre-drilled hole locations on the wall. Lightly mark both sides of the tub track **[A]** with a pencil, and then remove all the parts.

For tile or marble walls, drill six 7/32" diameter holes and insert the plastic wall anchors **[C]**. A center punch helps locate the holes accurately.

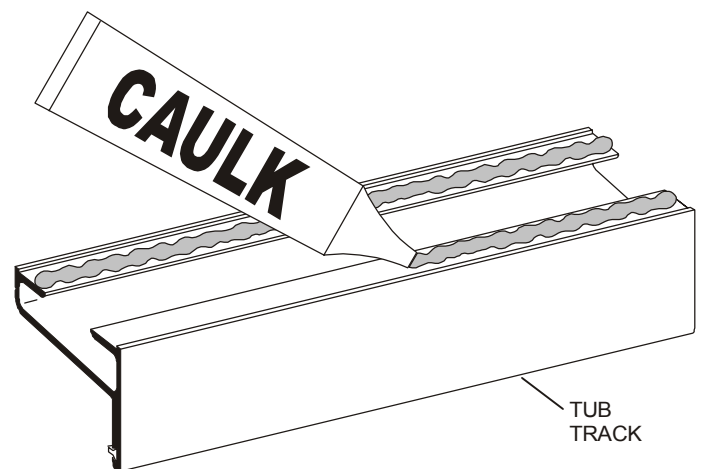
Attachments to fiberglass or acrylic units can be made in 2 ways. If reinforcement is built into the wall of the unit, drill six 1/8" diameter holes and install the screws directly into the reinforcement. If the walls are not reinforced, drill six 7/32" diameter holes and insert the plastic wall anchors or molly bolts (molly bolts not supplied by Alumax).

CAUTION: The tub track should never be screwed to the tub. This will damage the tub and cause leakage.



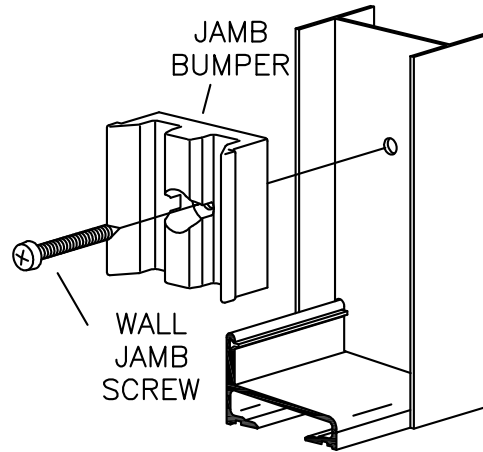
3 Before replacing the tub track **[A]**, force a slight downward bow in the extrusion. This will ensure the track fits tight to the sill. Run a bead of caulk on both flat surfaces on the bottom of the tub track. Then replace the track on the bath sill in the exact position marked in Step #2 and with the tall leg to the exterior of the bath. Seat the tub track firmly.

NOTE: Improper caulking will result in leaks.



4 Replace one wall jamb [A] and attach it to the wall with three #8 x 1 1/2" truss head screws [D]. The top and bottom screws should go through a Jamb Bumper [E]. Check the jamb for plumb and tighten the screws. Repeat for the other wall jamb.

Note: Do not over tighten the wall jamb screws.

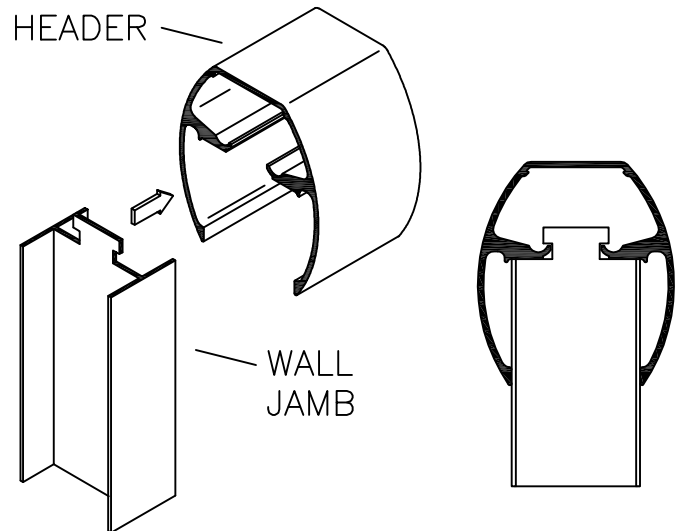


5 This bath enclosure is equipped with safety tee-lock wall jambs. When installed properly the header is permanently locked to the wall jambs and cannot be accidentally dislodged.

Measure the wall-to-wall opening at the top of the wall jambs [B] and cut the header [F] 1/16" short of this dimension. Check the header for fit.

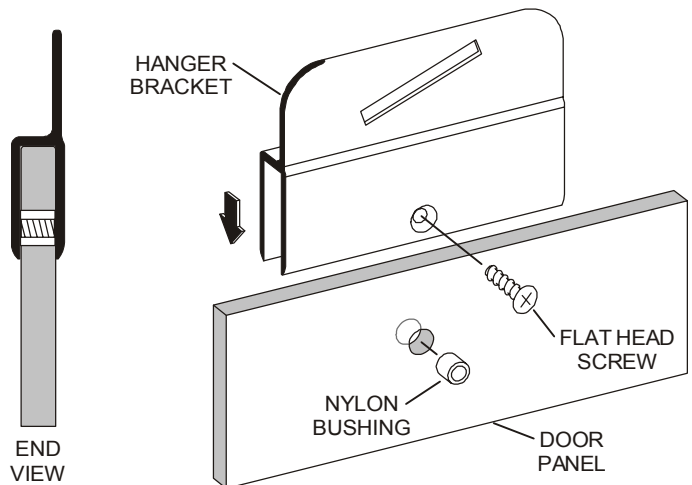
Slide the safety tee-lock of the unmounted wall jamb into the header.

Holding the header [F] at an angle, engage the end onto the mounted wall jamb. Pivot the header into place, then slide the loose wall jamb to the wall and press into position on the tub track. Attach the loose wall jamb to the wall per the instructions in step 4.

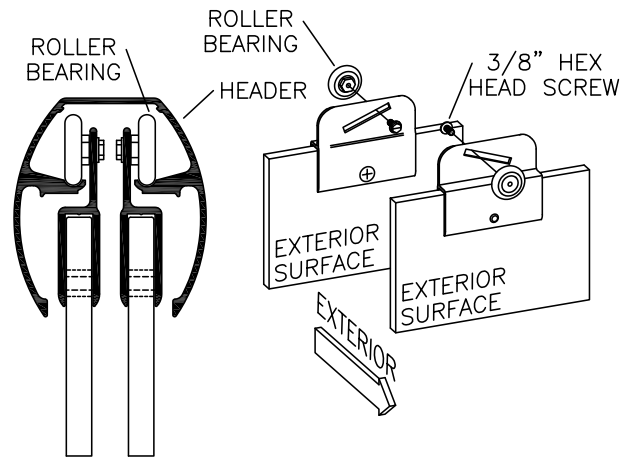


6 **NOTE:** Obscure glass doors should be installed with the rough surface of the glass to the exterior of the unit. Deco or etched glass doors should be installed with the patterned surface to the inside. The towel bar mounting hole closest to to the edge of each glass panel should be to the outside.

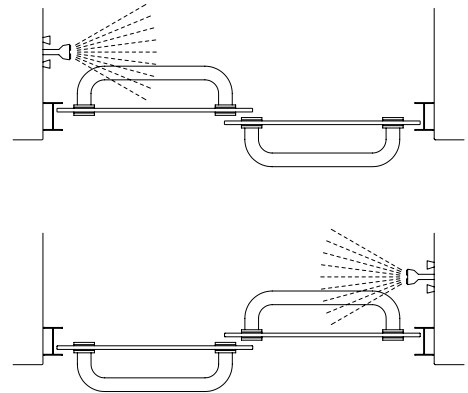
Determine the proper orientation of the door hanger brackets [G] to the glass door panels [H]. Fit four of the nylon bushings [I] into the 3/8" diameter holes in the top edge of the door panels. Slide the four hanger brackets onto the top edge of the panels until the countersunk holes line up with the bushings. Secure the brackets to the door panels with four 1/4"-20 x 5/8" [J] flat head screws.



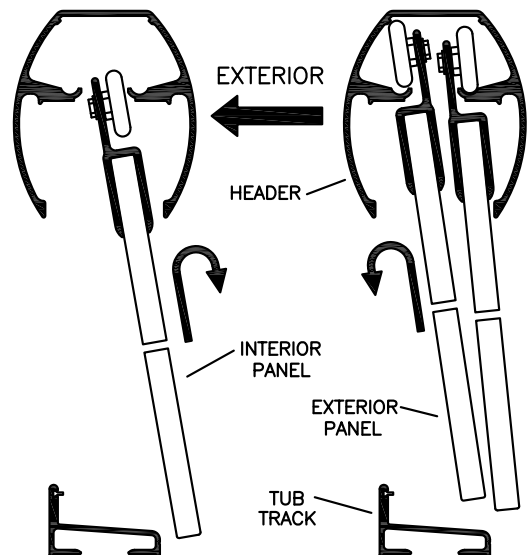
7 Attach the four one inch roller bearings [K] to the door hanger brackets [G] as shown, using #8-32 x 3/8" hex head screws [L]. The rollers should be in approximately the top quarter of the diagonal slots in the bracket fins.



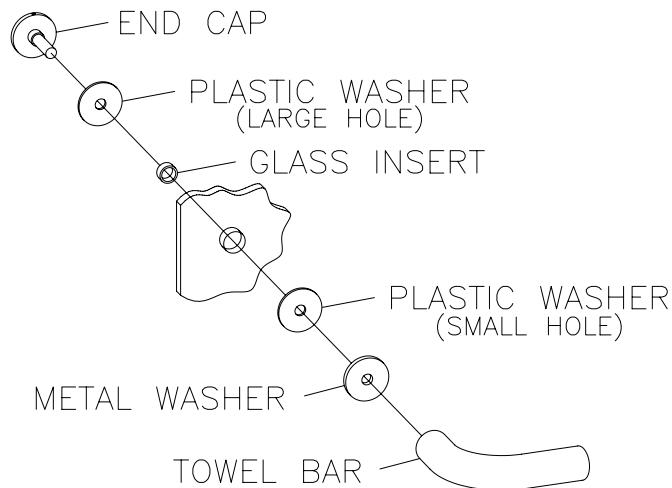
8 Before installing the door panels, the proper orientation should be determined. For maximum water-proofing, the interior panel should always be positioned closest to the shower head, as shown in this illustration.



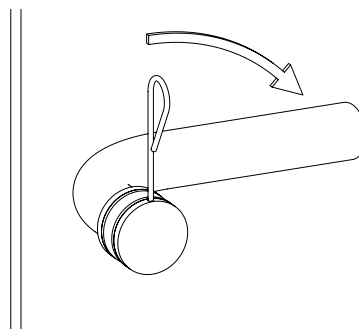
9 Lift the interior door panel [H] (exterior surface closest to fin) into position with the roller bearings [K] engaging the roller slot in the header [F]. If the door panel is not parallel to the wall jambs, remove and adjust the roller bearings up or down to compensate. Repeat for the exterior door panel (exterior surface away from the fin).



10 Locate the four, large hole, plastic washers [M] and place them over the threads and flush with the four end caps [N]. Next, place the four glass inserts [O] onto the four end caps [N] and flush with the plastic washers [M]. In step 6 the interior and exterior panels were determined by setting the orientation of the hanger brackets [G]. The towel bars [P] will be installed on the same side of the panels as the rollers in the hanger brackets [G]. Insert the threaded portion of an end cap [N] through one of the holes in a glass panel [H], making sure that it is located on the opposite side from the rollers on the hanger brackets [G]. Place a, small hole, plastic washer [Q] and a metal washer [R] on the end cap threads. Now, loosely, thread the towel bar [P] onto the exposed threads of the end cap [N]. Make another end cap assembly, and thread into the other end of the towel bar [P]. Repeat this process for the other glass panel [H], making sure that the towel bar is located on the same side as the rollers in the hanger brackets [G].

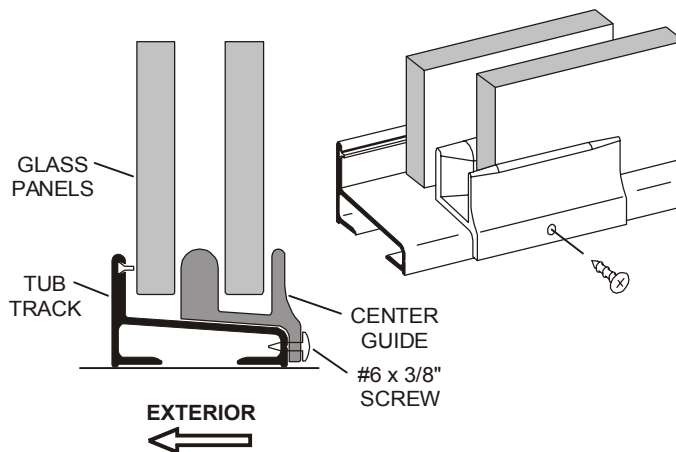


11 Insert the wrench [S] into the small hole on the edge of an end cap [N] and rotate in a clockwise direction until tight. Repeat for all remaining end caps.



12 Locate one of the clear panel guides [T] in the middle of the tub track [A] with the door panels [H] in the position shown. With a 7/64" bit, drill a hole into the V-groove through the mounting hole in the guide. Attach the center panel guide with a #6 x 3/8" pan head screw [U] through the drilled hole.

OPTION (Recommended): Included in your hardware kit are two extra panel guides and screws that can be used in the center of each panel opening if desired.



13 Neatly caulk each end of the tub track **[A]** where it meets the wall jambs **[B]** and along the interior edge of the wall jambs as shown. Run a bead of caulking along the interior edge of the tub track.

NOTE: The caulking should be allowed to cure for twenty-four hours before using your new bath enclosure.

