



ALUMAX

BATH ENCLOSURES

An Alcoa Company ®

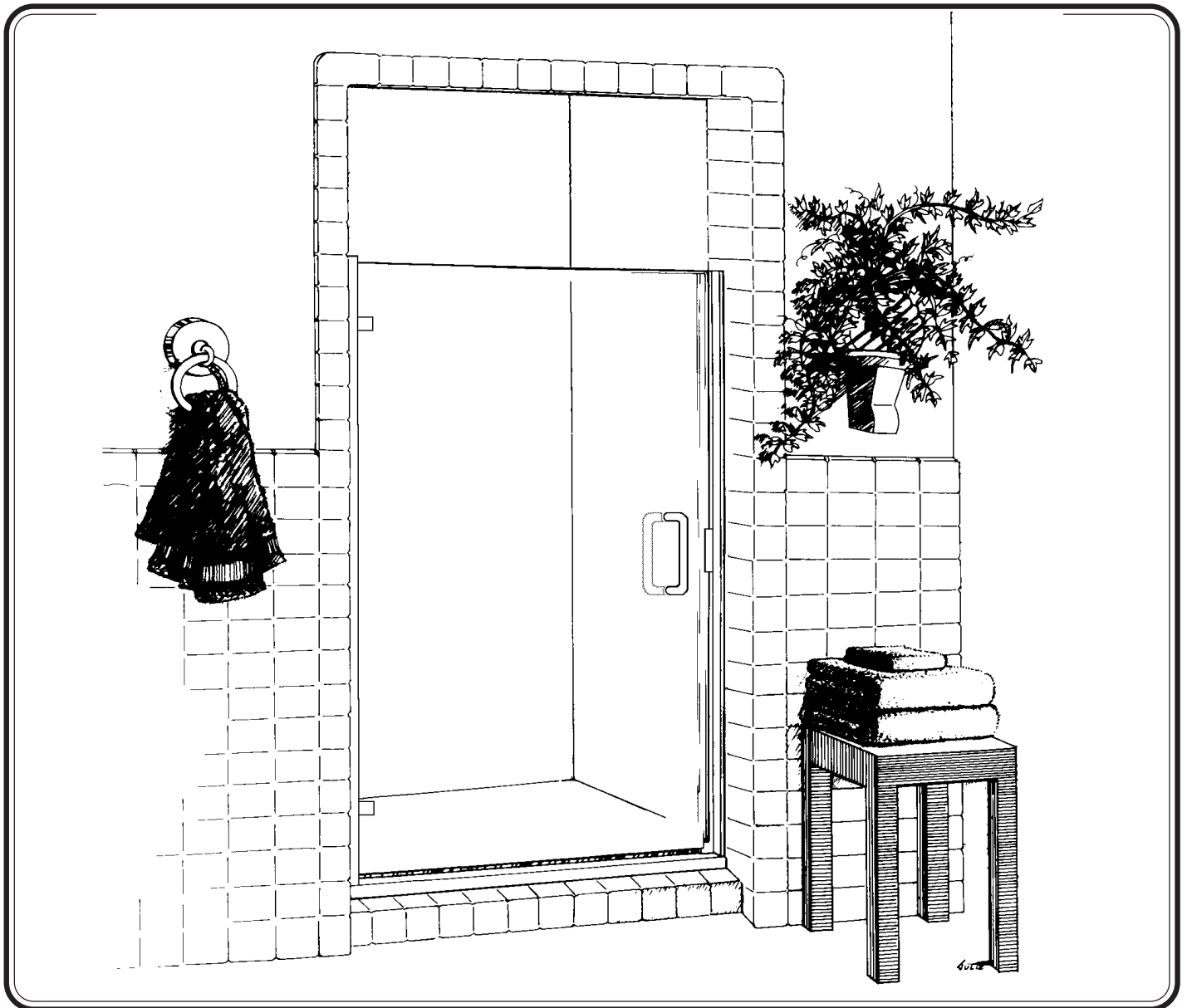
Tel: 800-643-1514

Fax: 870-234-3181

www.alumaxbath.com

INSTALLATION
INSTRUCTIONS

300d SERIES FRAMELESS SHOWER DOOR



Copyright © Alumax Bath Enclosures 2000. All rights reserved.

G03711142
1-27-06

LIMITED WARRANTY AND REMEDY

Alumax Bath Enclosures warrants to its dealers, customers, and all subsequent purchasers and users, that the products supplied by it shall be free from material defects in material and workmanship for a period of one (1) year after shipment, provided they are installed and maintained according to Alumax Bath Enclosures' recommended practices and installation instructions. This warranty shall apply only to defects appearing within one (1) year from the date of shipment, and provided that Alumax Bath Enclosures is promptly notified in writing of such defects. The sole and exclusive remedy with respect to the above warranty or with respect to any other claim relating to defects or any other condition or use of the products supplied by Alumax Bath Enclosures, however caused, and whether such claim is based upon warranty contract, negligence, strict liability, or any other theory, is limited to repair or supply of such products, or repayment by Alumax Bath Enclosures of the purchase price paid for it, at Alumax Bath Enclosures' option.

Alumax Bath Enclosures does not make any other representations or warranties, express or implied, including, but not limited to, any implied warranty of merchantability and any implied warranty of fitness for a particular purpose. In no event shall Alumax Bath Enclosures be liable for special, direct, indirect, or consequential damages, including, but not limited to, loss or use of profits.

Dealers agree to pass on to its customers and users in writing Alumax Bath Enclosures' Warranty and Remedy as set forth above.

Laws and building and safety codes governing the design and use of bath enclosures vary widely. Alumax Bath Enclosures does not control the selection of product configurations, operating hardware or glazing materials, and assumes no responsibility therefor.

INSTALLATION NOTES

Unpack your unit carefully and inspect for freight damage. Lay out and identify all parts using the instruction sheets as a reference. Before discarding the carton, check for small hardware bags that tend to fall to the bottom of the box. If any parts are damaged or missing, refer to the descriptions noted in the instructions when contacting your dealer for replacements.

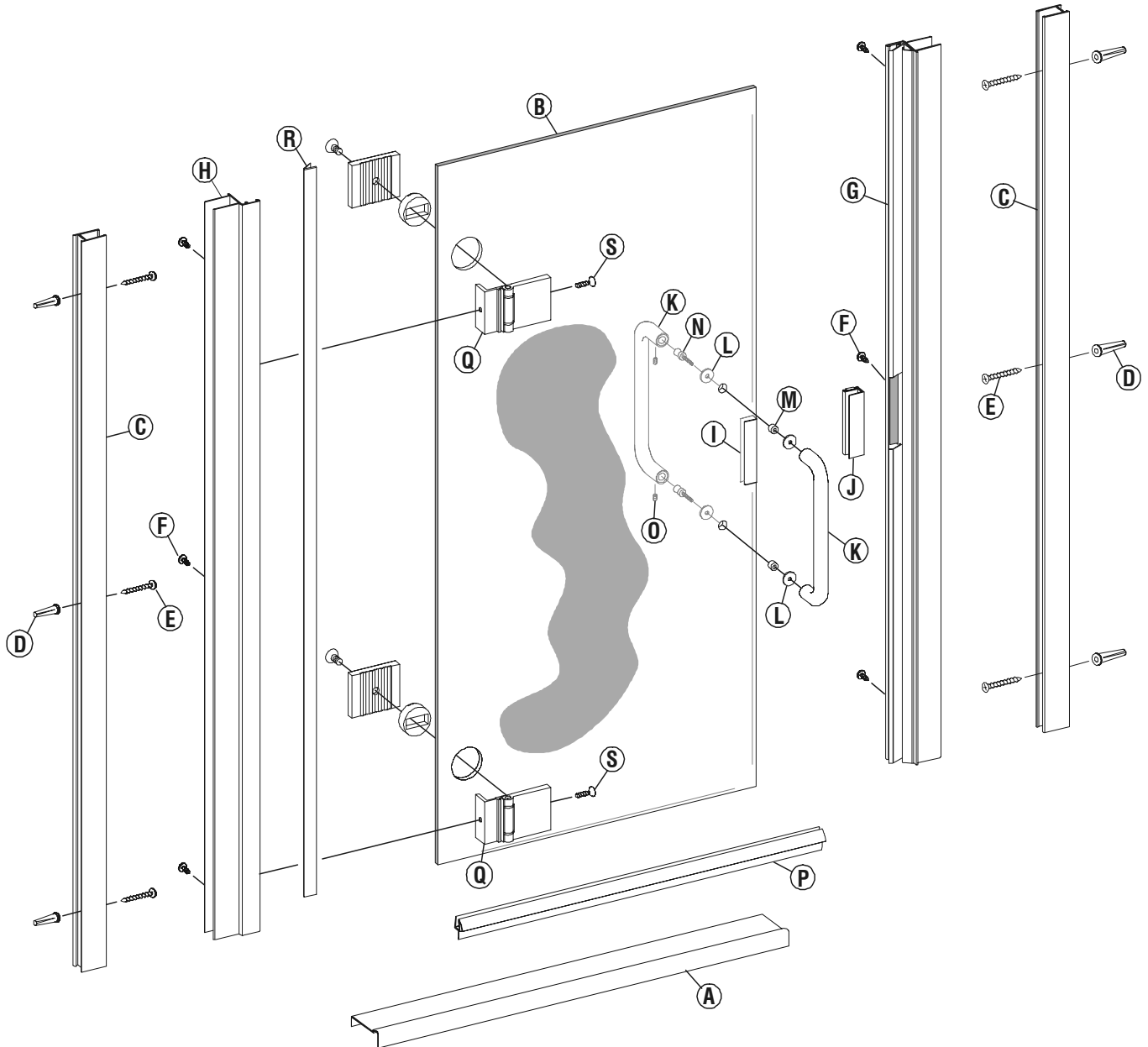
Handle glazed panels carefully and protect the edges. Safety tempered glass is very resistant to breakage, but the sharp corners of the panels can damage tile and floor coverings.

Please wear safety glasses whenever drilling or cutting. When drilling holes in ceramic tile or marble, use a center punch and hammer to carefully break the surface glaze so the drill can start without skidding.

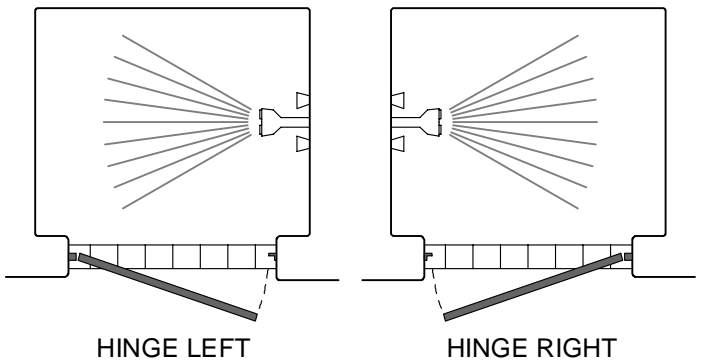
To install your Alumax Bath Enclosure you will need the following: tape measure, level, #2 Phillips screwdriver, drill, 1/8" and 3/16" drill bits, hacksaw, pencil, and caulking (clear silicone recommended). Optional tools include a miter box for cutting parts to length, files, center punch, and masking tape.

300d PARTS LIST

- | | | | |
|----|---------------------------------|----|----------------------|
| A. | 1 Shower Curb | K. | 2 Tubular Handles |
| B. | 1 Glazed Door Panel Assembly | L. | 4 Plastic Washers |
| C. | 2 Wall Jamb | M. | 2 Plastic Bushings |
| D. | 6 Plastic Wall Anchors | N. | 2 Cone Head Bolts |
| E. | 6 #8 x 1 1/2" Truss Head Screws | O. | 2 Set Screws |
| F. | 6 #6 x 3/8" Pan Head Tek Screws | P. | 1 Deflector |
| G. | 1 Strike Jamb w/Magnet | Q. | 2 Patch Hinge |
| H. | 1 Hinge Jamb | R. | 1 Hinge Jamb Vinyl |
| I. | 1 Latch Vinyl | S. | 2 #8 x 1/2" Flathead |
| J. | 1 Latch | | |



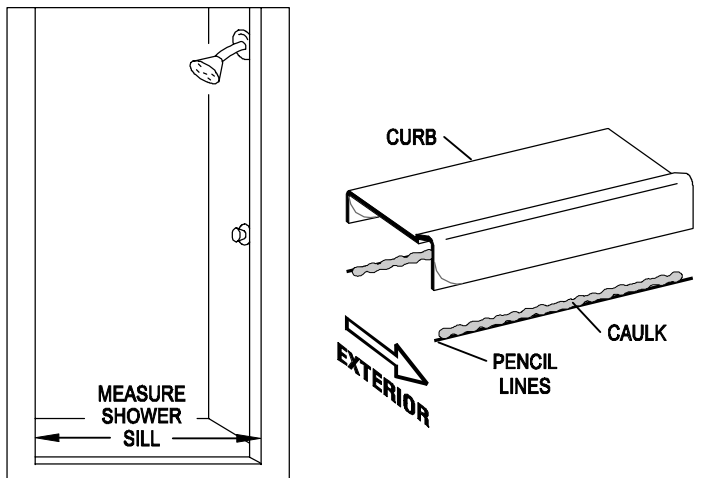
1 The Alumax 300D Continuous Hinge Shower Door is completely reversible and may be installed hinge-left or hinge-right. Refer to the illustration to determine the correct position for your installation. For maximum waterproofing, the hinge jamb should always be opposite the shower head. These instructions depict a hinge-left installation.



CAUTION: For safety, the door must always open outward.

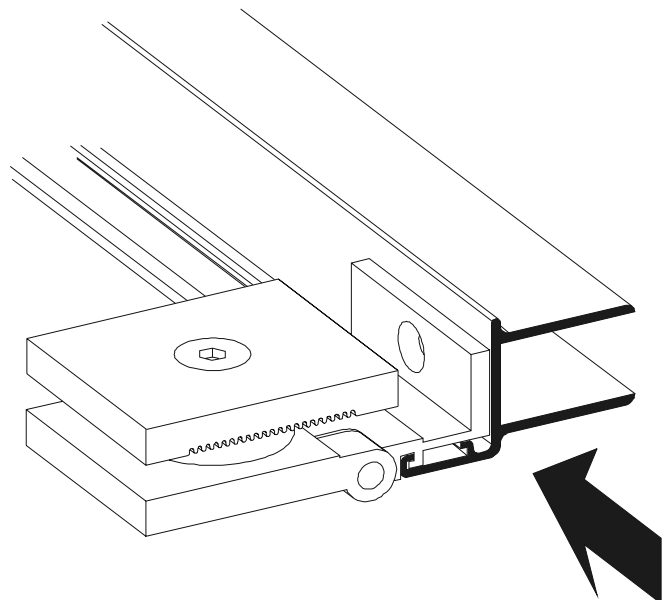
2 NOTE: The 300D unit may be installed without using the sloped curb [A] provided. Its use is definitely recommended for positive water control on shower sills with little or no slope.

Measure the wall-to-wall opening at the shower sill and cut the curb to the exact length. File the ends of curb as necessary to fit the corner contours of the enclosure. Place the curb on the shower sill with the raised portion to the exterior of the enclosure. Make sure the curb is centered on the sill and lightly mark its position on the sill with a pencil.

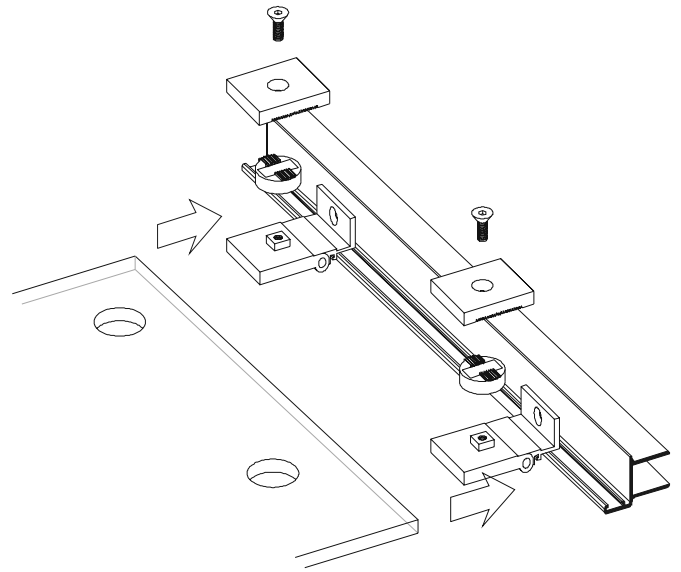


Remove the curb from the sill and run two beads of caulk inside the penciled marks on the shower sill. Place the curb in the exact position marked and seat it firmly in the caulking.

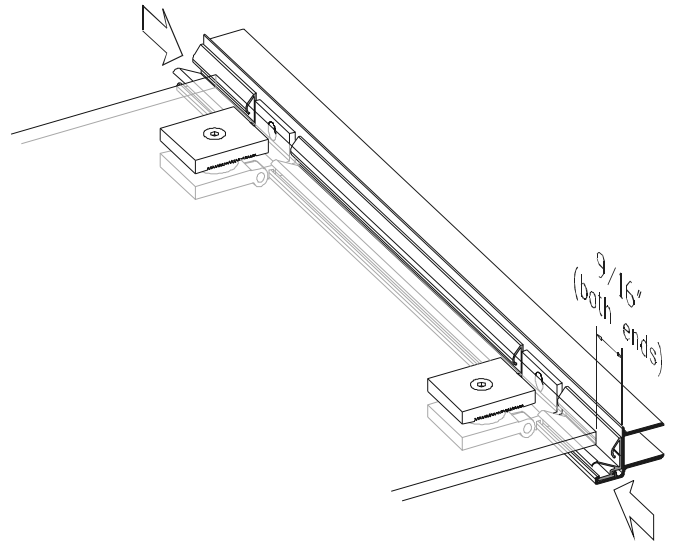
3 Slide one hinge [Q] into the slot on each end of the strike jamb [G] as shown.



4 Lay the door glass [B] on a flat work surface and position the hinges [Q] by sliding them until they are lined up with the holes in the door glass. Remove the hinge plate and bushing. Position the door on the hinges and insert the plastic hinge bushing into the hole. Place the hinge plate on the glass, insert the hinge plate attachment screw and only tighten the screw enough to secure the hinge plate temporarily.

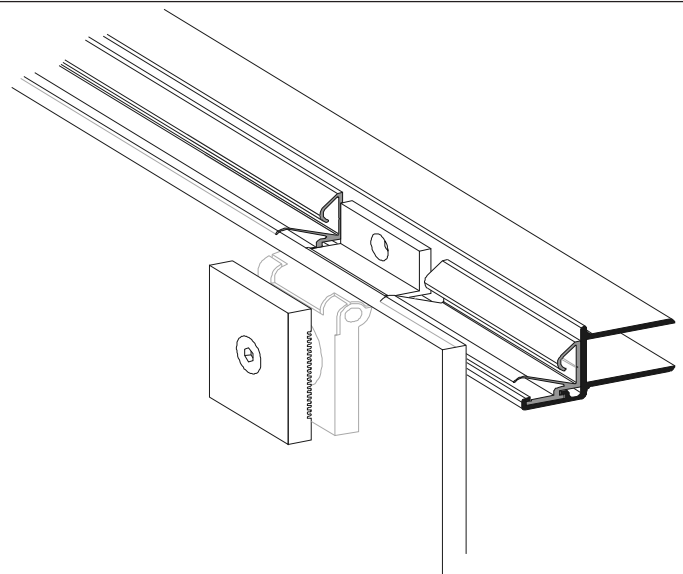


5 Move the door panel [B] with hinges attached relative to the hinge jamb [H] until the top and bottom edges of the door glass are each $9/16$ " from the ends of the jamb. Mark the hinge mounting hole locations on the jamb. Detach the glass from the hinges by removing the hinge plate. Slide the hinges to the side and drill a $9/64$ " dia. hole at each location. Cut the seal vinyl to length to fit between the hinges and at each end of the hinge jamb. Slide the vinyl into the jamb as shown.



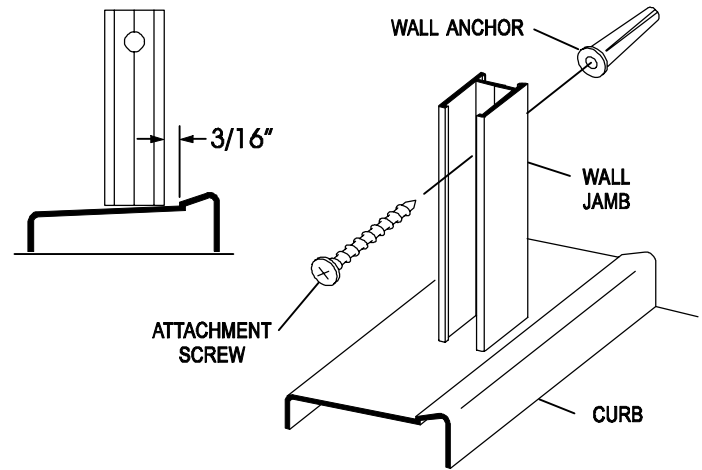
6 Move the hinges back into position, replace the glass and hinge plate. Using the adjustment in the hinge position the glass so that the edge of the glass is $1/4$ " from the flat face of the face of the hinge jamb [H]. Securely tighten the hinge plate attachment screw.

Position the hinge jamb [H] so the $9/64$ " dia. hinge mounting holes are visible behind the hinges. Attach the hinges [Q] to the hinge jamb [H] with two #8 x $3/8$ " flat head screws.

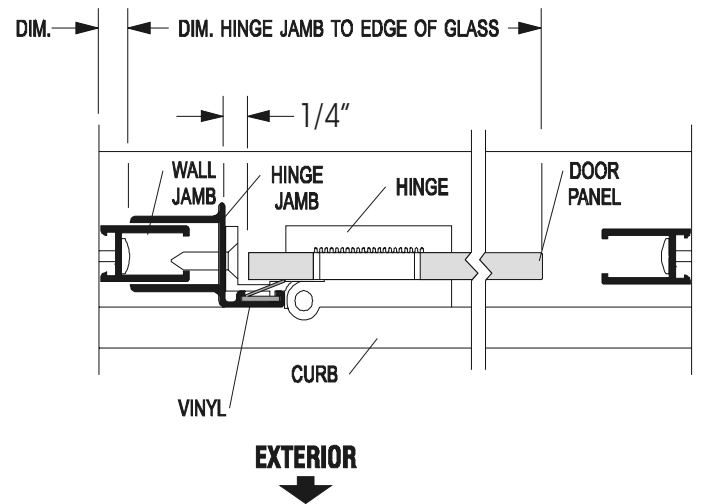


7

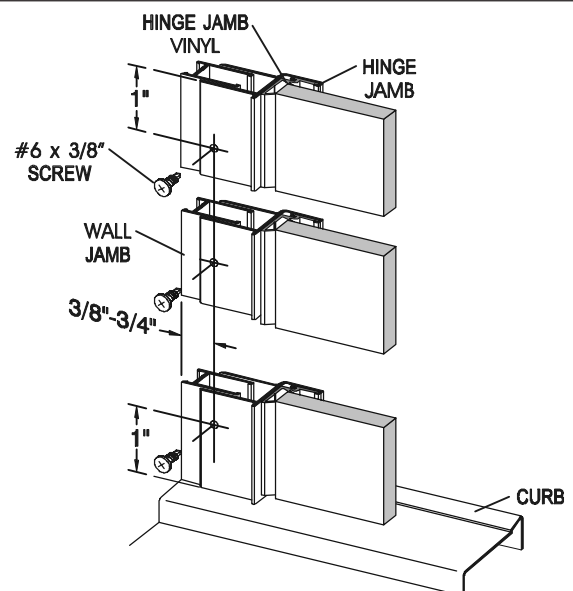
Cut one wall jamb [C] to the same length as the strike jamb [G]. Place the wall jamb [C] just cut against the strike side wall with the bottom end $3/16$ " from the raised side of the curb [A]. Plumb the jamb and mark the hole locations on the wall. Repeat for the other wall jamb. Remove all parts and drill the walls for mounting hardware. For tile or marble walls, drill six $3/16$ " diameter holes and insert the plastic wall anchors [D]. Attachments to fiberglass or acrylic units can be made in two ways. If a reinforcement is built into the wall of unit, drill six $1/8$ " holes and install mounting screws directly into the reinforcement. If walls are not reinforced, drill $3/16$ " holes and install plastic wall anchors or toggle bolts (toggle bolts not supplied by (Alumax)). Replace each wall jamb and attach them to the wall with three #8 x $1\ 1/2$ " truss head screws [E].

**8**

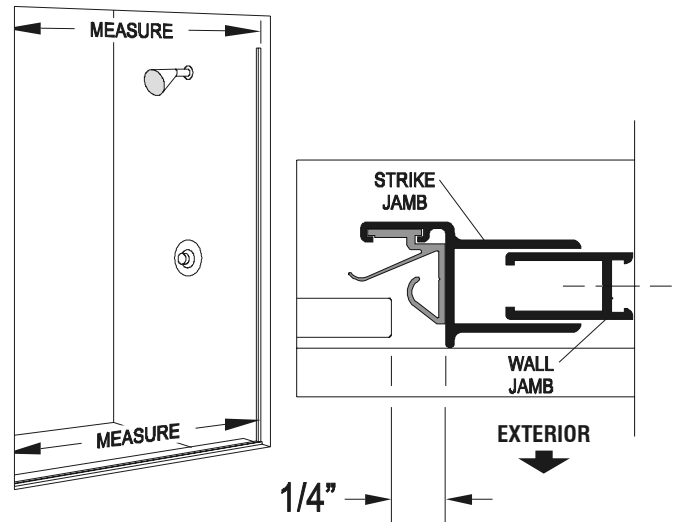
Measure the wall-to-wall opening at the top and at the bottom of the wall jambs [C] and note the smaller dimension. Measure the entire width of the door panel [B] from the outside edge of the hinge jamb [H] to the edge of the glass on the strike side. Add $2\ 1/4$ " to that width, subtract that dimension from the minimum wall-to-wall opening dimension and divide the result by 2. This should give you the dimension from the wall to the hinge jamb [H] at the closest point. Slide the hinge jamb [H] with the door panel attached over one of the mounted wall jambs [C] so the door will open outward. Plumb the hinge jamb vertically and mark its location on the wall jamb with a pencil.

**9**

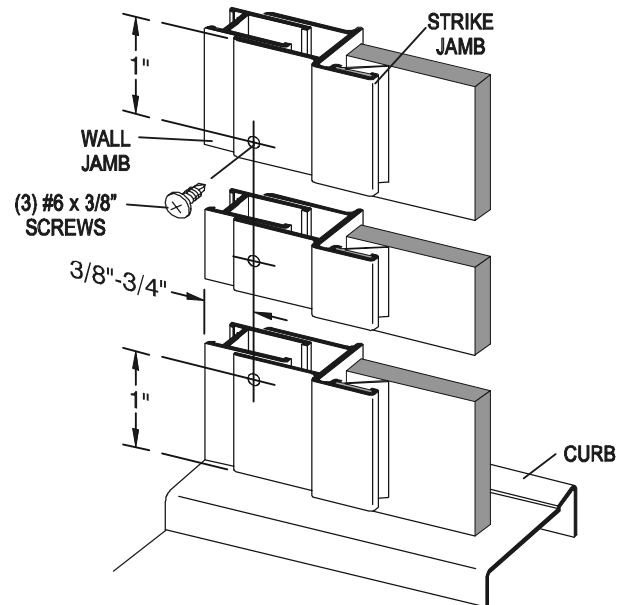
Inside the shower enclosure, drill two $1/8$ " holes thru the hinge jamb [H] and into the wall jamb [C] $3/8$ " to $3/4$ " from the wall and approximately 1" vertically from each end of the hinge jamb. Drill a third hole centered between the first two, then enlarge the three outer holes with a $3/16$ " drill for clearance on the self-tapping screws. Attach the hinge jamb permanently with three #6 x $3/8$ " pan head screws [F].



10 Slide the strike jamb [G] over the remaining mounted wall jambs [C] with the magnet facing outward. The distance from the edge of the door panel glass to the face of the strike jamb should be $1/4"$. Plumb the strike jamb vertically and mark the location on the wall jamb.



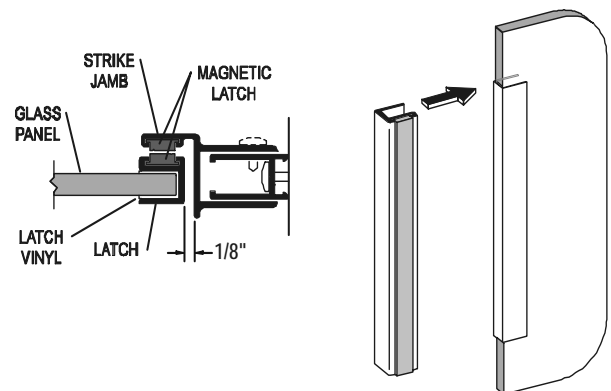
11 Inside the shower enclosure, drill two $1/8"$ holes thru the strike jamb [G] and into the wall jamb [C] $3/8"$ to $3/4"$ from the wall and approximately 1" vertically from each end of the strike jamb. Drill a third hole centered between the first two, then enlarge the three outer holes with a $3/16"$ drill for clearance on the self-tapping screws. Attach the strike jamb permanently with three #6 x $3/8"$ pan head screws [F].



12 Slide the latch [J] with magnet onto the strike edge of the door panel. Close the door and slide the latch up or down until the two magnetic strips are aligned. Use a pencil or masking tape to mark the location of the latch on the door. Position the strike jamb [G] so that the magnet in the strike aligns with the magnet on the door panel and the strike vinyl is snug against the edge of the door panel glass.

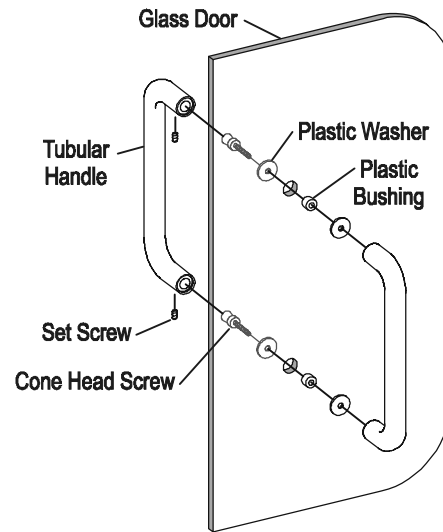
Wrap the latch vinyl [H] over the edge of the door glass between the marks and carefully drive the door latch onto the door panel. Spraying glass cleaner or water onto the vinyl will make assembly easier.

Close the door and check for proper operation of the magnetic catch.



13

Locate the handle [K] that has no Set Screws. Place a Plastic Bushing [M] in the top handle hole then place a Plastic Washer [L] against the glass. Place the handle without Set Screws against the Plastic Washer and insert the threaded end of the Cone Head Screw [N] through the bushing into the threaded insert in the end of the handle and tighten. Repeat the procedure for the bottom hole. Place Plastic Washers [L] against the opposite side of the glass and press the remaining handle [K] over the end of the Cone Head Screw. While holding the handles firmly against the glass tighten the Set Screws [O].

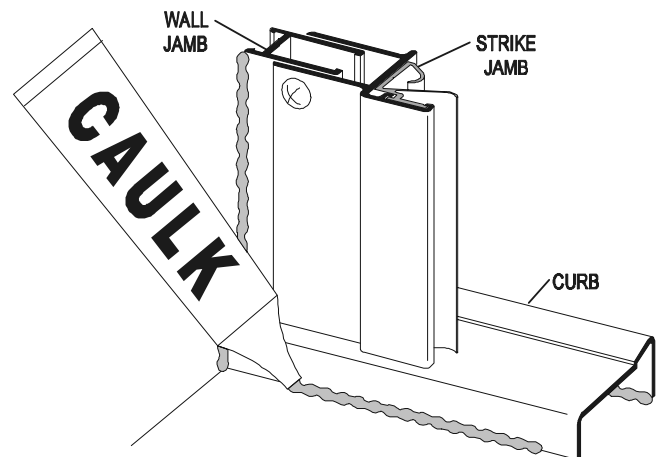


14

Neatly caulk the inside perimeter of the shower curb and the wall jamba.

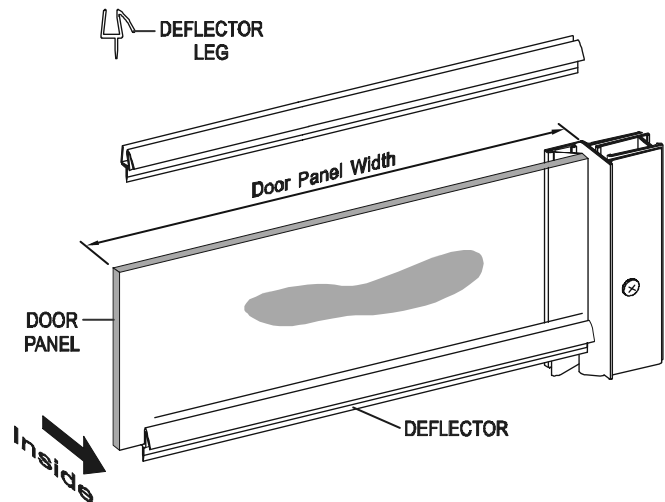
NOTE: Improper caulking will result in leaks.

NOTE: The caulking should be allowed to cure for twenty-four hours before using your new shower enclosure.



15

Determine the desired handing of the deflector [P]. The deflector leg must go to the inside of the unit as shown in the drawing at right. To determine the door panel width measure the distance from the edge of the hinge rail to the far edge of the glass door panel. The deflector should be cut to Door Panel Width - 1/4". Press the deflector firmly on the bottom edge of the glass as shown.



To keep your Alumax Bath Enclosure looking like new we recommend the Alumax ShowerBright Consumer Maintenance Kit. The Consumer Maintenance Kit surface should be applied every 45 to 60 days. To purchase or for more information contact your dealer. Our dealers have the materials to do a professional ShowerBright restoration. For best results professional restorations should be performed a maximum of once every three months. Contact your dealer for more information. New units with factory supplied ShowerBright coating have a limited lifetime warranty. For daily cleaning the simplest and preferred method is to wash the unit with clean water and dry with a soft cloth. Do not use scouring pads, sharp instruments, or acid-based cleansers to clean the unit.

Consumer kits will be sold direct, consumers will need to go to dealers for professional restoration and new units can be purchased with the permanent coating. Consumer kit materials need to be applied every 45 to 60 days, pro materials to be applied once quarterly max and factory has limited lifetime.