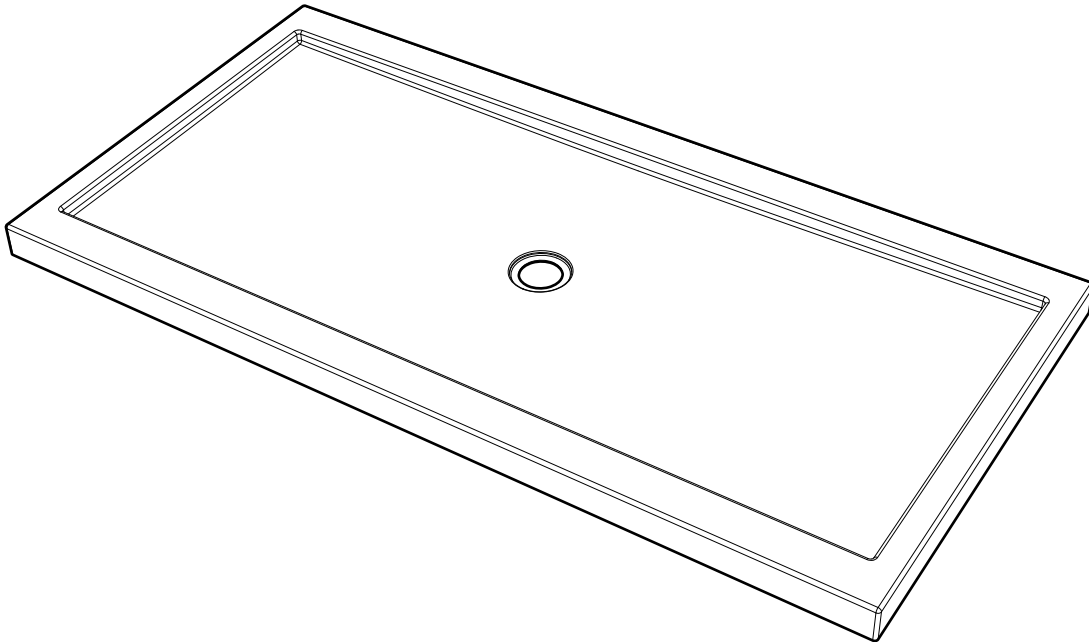


**Acrylic Shower Base**

**ABF3260 - ABF3648 - ABF3660  
ABF3672 - ABF4260 - ABF4860**

**INSTALLATION MANUAL**



● **Table of Contents**

IMPORTANT ..... 2  
CARE FOR YOUR ACRYLIC SHOWER BASE..... 2  
SPECIFICATION. .... 3  
TOOLS AND MATERIALS REQUIRED. .... 3  
TYPE OF INSTALLATION. .... 4  
1. INSTALL TILING FLANGE. .... 5  
2. PREPARE DRAINING PIPE..... 5  
3. INSTALL THE DRAIN. .... 6  
4. LEVELING THE BASE..... 6  
5. TESTING THE DRAINAGE..... 7  
6. SECURING THE BASE. .... 7  
7. FINISHING..... 8

● **IMPORTANT**

- Read this manual carefully and completely before proceeding.
- It is recommended that you wear safety glasses at all times during the installation.
- Prior to installation of base, all framing and plumbing work must be completed in accordance with this instruction sheet.  
*For renovation work, existing shower surfaces must be removed to accommodate framing requirements. Ensure that outer wall are properly insulated, and that a vapor barrier has been installed in accordance with established building codes.*

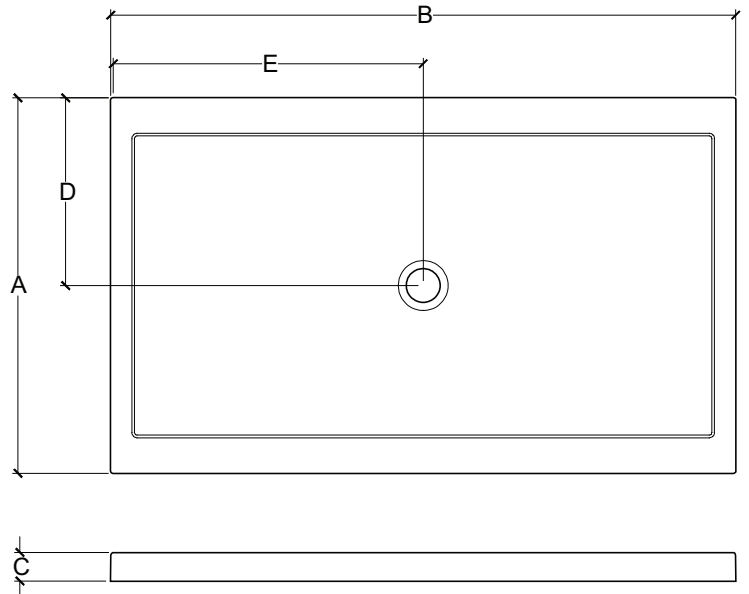
● **Care for your Acrylic Shower Base**

- In order to protect the acrylic surface of your base, never use scouring powder pads or other strong solvent. Only clean with a mild detergent diluted in water or a detergent formulated specifically for acrylic.

**Product specifications are subject to change without notice. Use the installation instructions supplied with the product.**

**SPECIFICATION.**

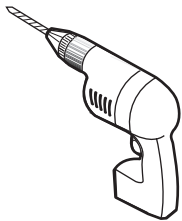
Model	Dimensions*				
	A	B	C	D	E
<b>ABF3260</b>	32" [81cm]	60" [152.4cm]	3" [7.6cm]	16" [40.64cm]	9" [22.86cm]
<b>ABF3648</b>	36" [91.4cm]	48" [121cm]	2 3/4" [7cm]	18" [45.72cm]	24" [60.96cm]
<b>ABF3660</b>	36" [91.4cm]	60" [152.4cm]	2 3/4" [7cm]	18" [45.72cm]	30" [76.2cm]
<b>ABF3672</b>	36" [91.4cm]	72" [182.8cm]	2 3/4" [7cm]	18" [45.72cm]	36" [91.4cm]
<b>ABF4260</b>	42" [106.7cm]	60" [152.4cm]	2 3/4" [7cm]	21" [53.3cm]	30" [76.2cm]
<b>ABF4860</b>	48" [122cm]	60" [152.4cm]	2 3/4" [7cm]	24" [61.0cm]	30" [76.2cm]



\* Tolerance on dimensions:  $\pm 1/4"$  [6 cm]



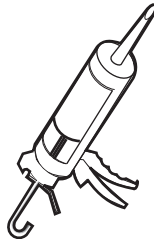
**TOOLS AND MATERIALS REQUIRED.**



DRILL



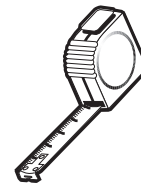
DRILL BITS 3/16"



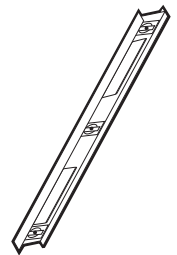
SILICONE



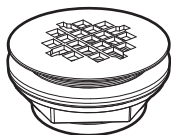
PENCIL



TAPE MEASURE



LEVEL



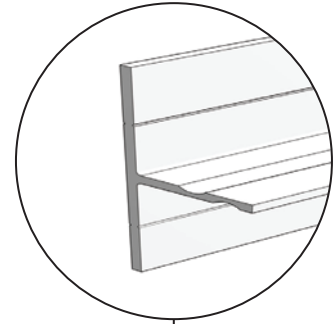
DRAIN



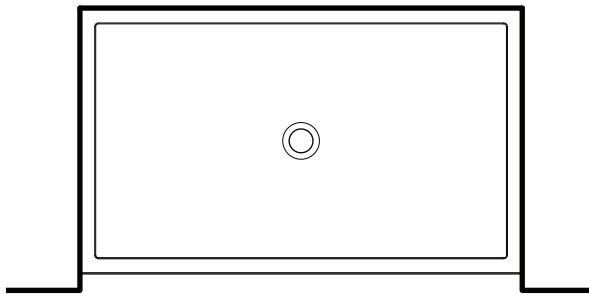
FLOOR LEVELING COMPOUND  
or MORTAR

**TYPE OF INSTALLATION.**

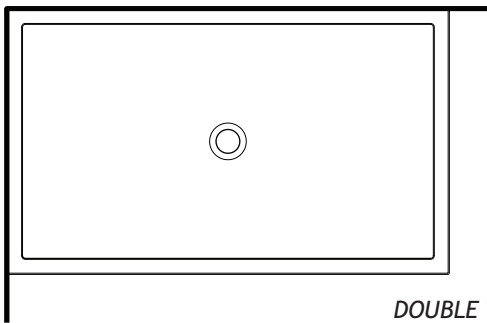
Ensure that you have the required tiling flange for your type of installation.



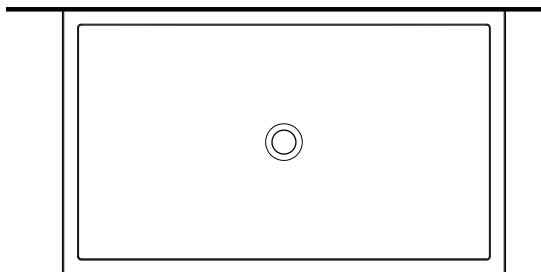
"Tee Section" Tiling Flange \*



SINGLE THRESHOLD = 3 TILING FLANGE



DOUBLE THRESHOLD = 2 TILING FLANGE



TRIPLE THRESHOLD = 1 TILING FLANGE



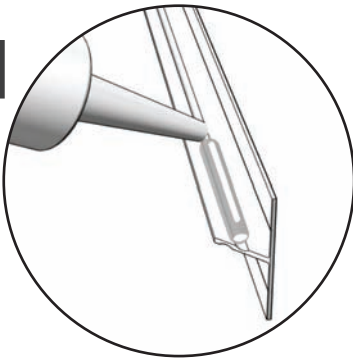
## 1 INSTALL TILING FLANGE.

1A. Prior to installation, turn the tile flange so to apply a line of silicone sealant along the channel.

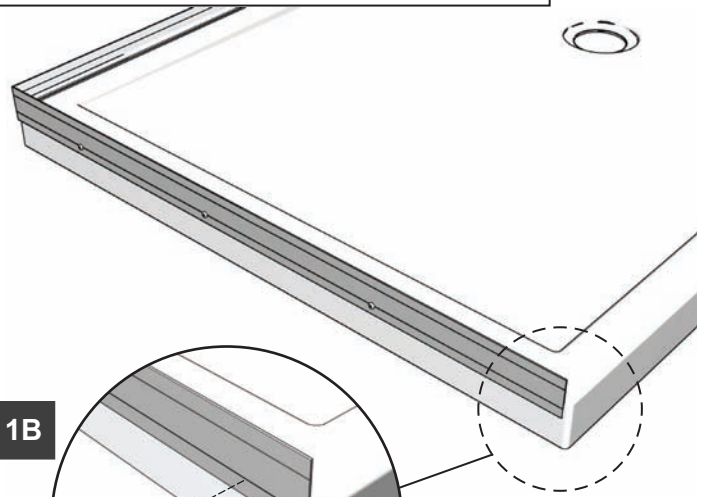
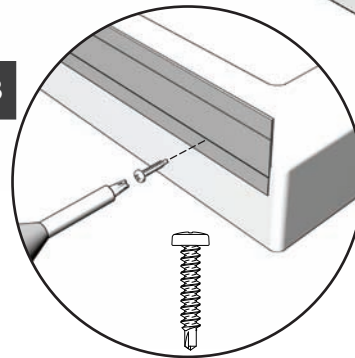
\* DOUBLE THRESHOLD INSTALLATION TYPE SHOWN

1B. Install tiling flange on the outer wall of the base using self drilling screws #6 x 1"

1A

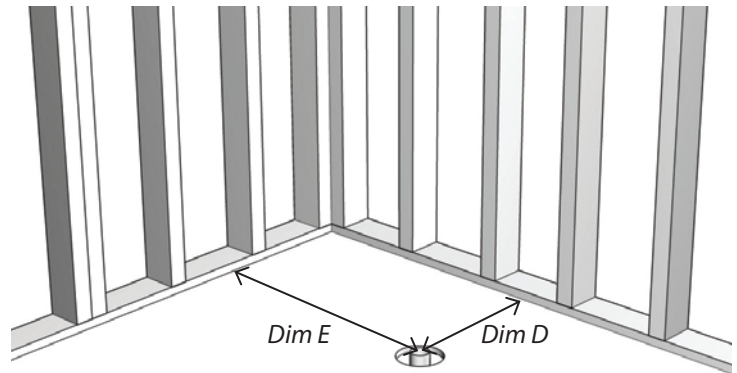


1B



## 2 PREPARE DRAINING PIPE.

2A. Cut floor [ $\text{Ø}5''(12.7\text{cm})$  to  $\text{Ø}6''(15.2\text{cm})$ ] to accommodate plumbing. The 2" (5.0cm) drain pipe should project  $1/2''(1.27\text{cm})$  above floor line.  
 Note: Dimensions D and E from wall to center of drain. ( See chart on page 3)  
Verify your base for final dimensions.

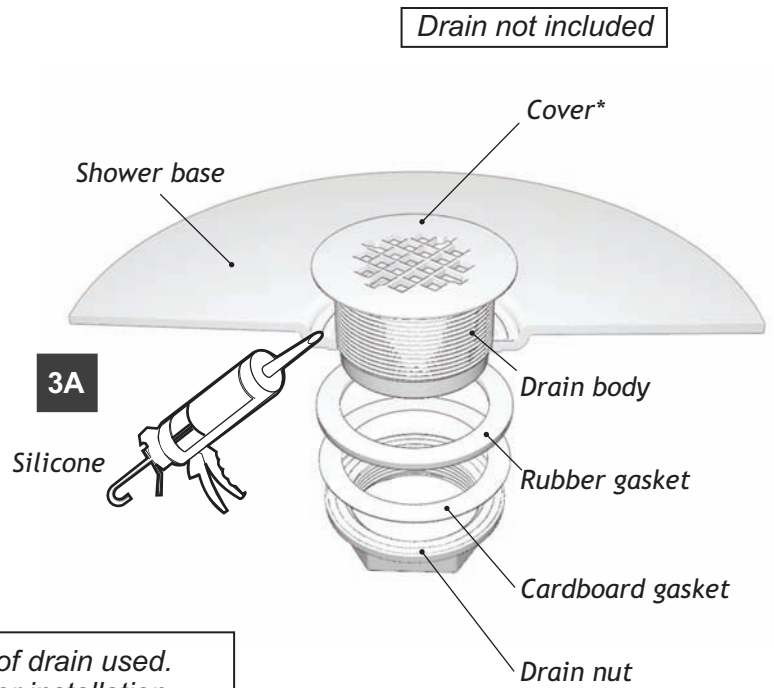


2B. Position base. Verify that the draining pipe location matches the actual location of the base drain.  
 Remove the base.



### 3 INSTALL THE DRAIN.

3A. Prior to install the drain on the base, run a bead of silicone between the drain body and shower base.



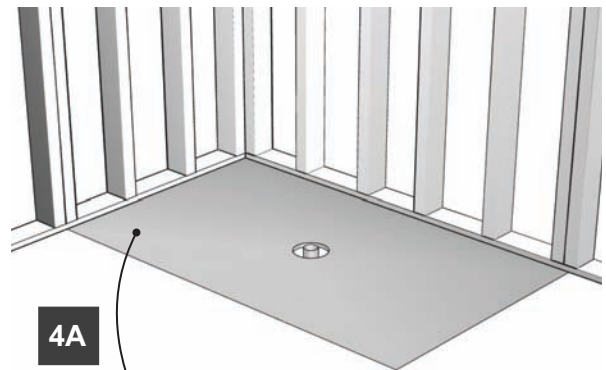
Components might vary according to the model of drain used. Refer to manufacturer's instructions for the proper installation.

### 4 LEVELING THE BASE.



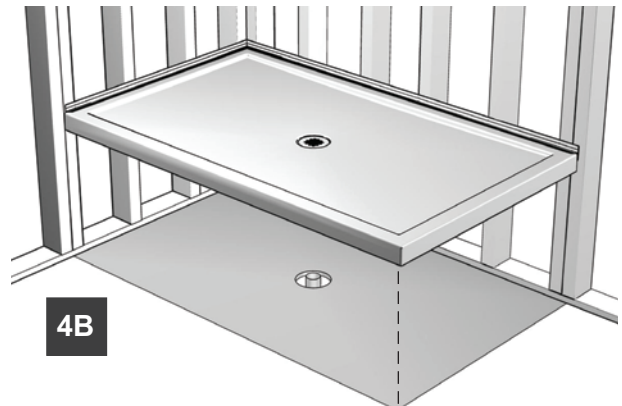
IF THE FLOOR IS LEVEL.  
PROCEED TO THE NEXT STEP.

4A. Shim shower base and/or spread floor leveling compound or mortar evenly over the entire area where the base will be installed.



4A Floor leveling compound or mortar

4B. Lower base over center of draining pipe and set into place. Apply pressure to ensure that the compound is in contact with the entire bottom surface of the base. Verify that the base is level.



4B

## 5 TESTING THE DRAINAGE.

5A. Once the drain is connected, plug the drain and fill the base with a small amount of water.



5B. Check for any leakage around the drain (some bubbles may appear) and below (if you have access to).

5C. Unplug the drain and assure that the drainage is efficient. There must be no puddle of water accumulation in the base.

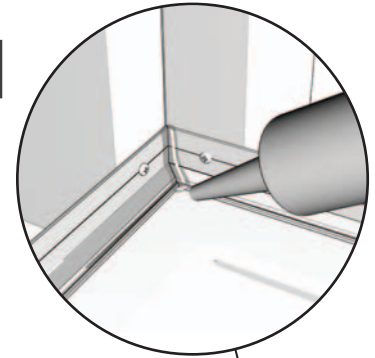


If water doesn't drain properly even though the base is leveled, do not continue this installation. Please remove the base and return it to your dealer for exchange.

## 6 SECURING THE BASE.

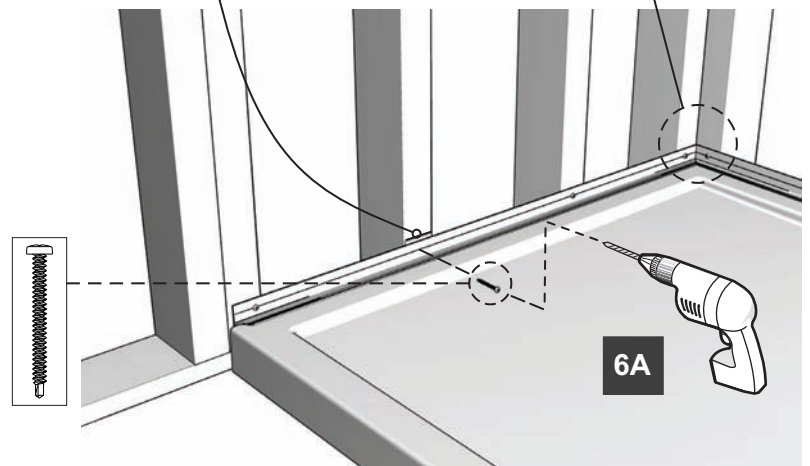
6A. Fasten base to studs using self drilling screws #6 x 1 1/2"

6B



6B. Apply silicone sealant along the intersection of the two tile flanges.

Shim if necessary



**7** FINISHING.

*Tips to achieve a professional looking and watertight finish.*

