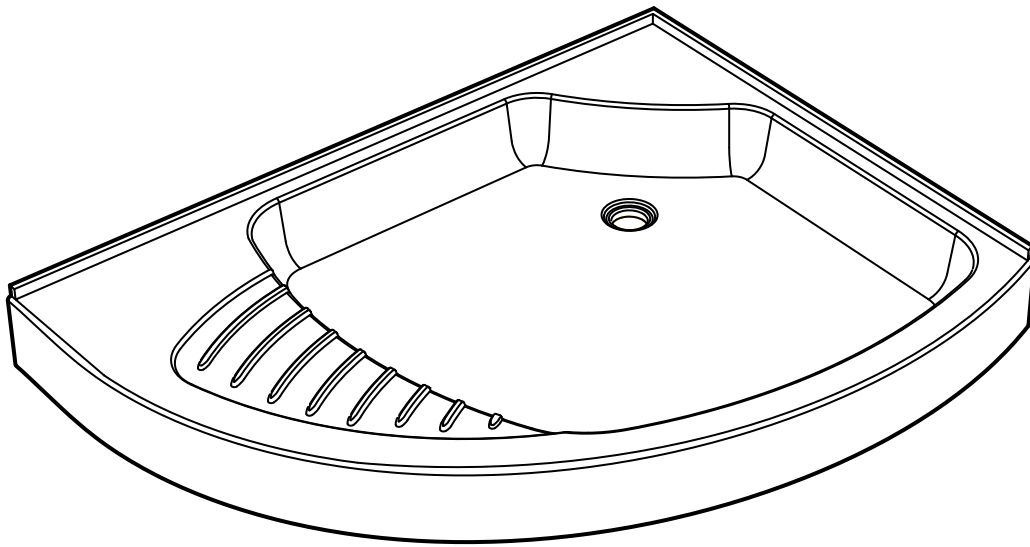


INSTALLATION MANUAL



- Table of Contents

IMPORTANT	2
CARE FOR YOUR ACRYLIC SHOWER BASE.....	2
SPECIFICATION.	3
TOOLS AND MATERIALS REQUIRED.	3
1. PREPARE DRAINING PIPE.....	4
2. INSTALL THE DRAIN.	4
3. LEVELING THE BASE.	5
4. TESTING THE DRAINAGE.....	5
5. FASTEN THE BASE.	6
6. FINISHING.....	6

- IMPORTANT

- Read this manual carefully and completely before proceeding.
- It is recommended that you wear safety glasses at all times during the installation.
- Prior to installation of base, all framing and plumbing work must be completed in accordance with this instruction sheet.
For renovation work, existing shower surfaces must be removed to accommodate framing requirements. Ensure that outer wall are properly insulated, and that a vapor barrier has been installed in accordance with established building codes.

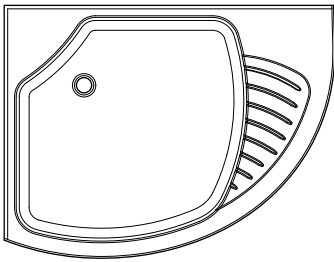
- Care for your Acrylic Shower Base

- In order to protect the acrylic surface of your base, never use scouring powder pads or other strong solvents. Only clean it with a mild detergent diluted in water or a detergent formulated specifically for acrylic.

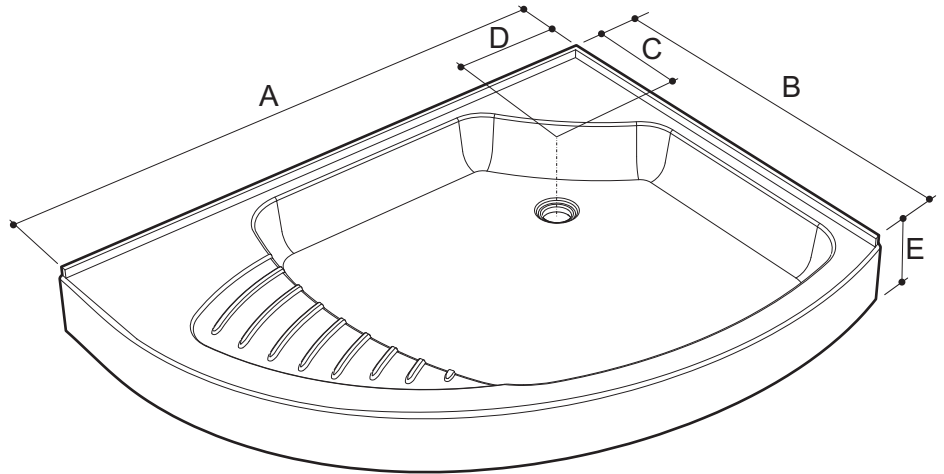
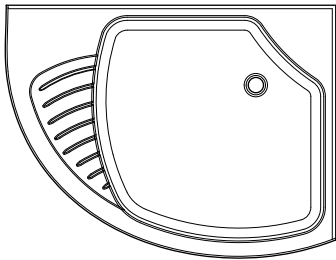
Product specifications are subject to change without notice. Use the installation instructions supplied with the product.

SPECIFICATION.

ABTL48



ABTR48

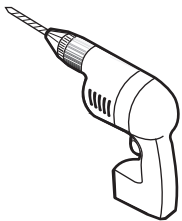


Model	Dimensions*				
	A	B	C	D	E
ABTL48	49 1/2"	35 1/4"	12"	12"	5 1/2"
ABTR48	[126cm]	[89.5cm]	[30.5cm]	[30.5cm]	[14cm]

* Tolerance on dimensions: $\pm 1/4"$ [.6 cm]



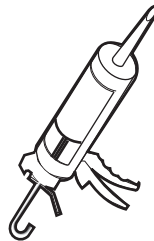
TOOLS AND MATERIALS REQUIRED.



DRILL



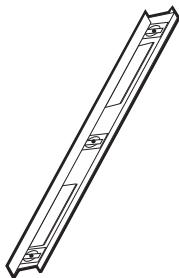
DRILL BITS 3/16"



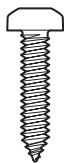
SILICONE



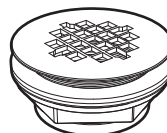
PENCIL



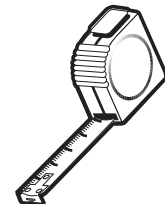
LEVEL



SCREW #8 1 1/4"
(Preferably stainless steel screws)



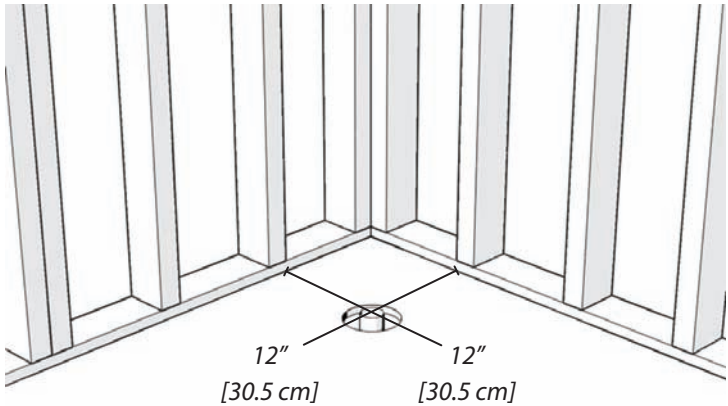
DRAIN



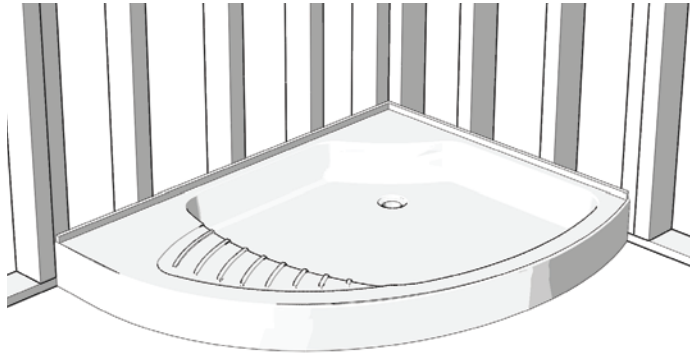
TAPE MEASURE

1 PREPARE DRAINING PIPE.

1A. Cut floor [Ø5"(12.7cm) to Ø6"(15.2cm)] to accommodate plumbing. The 2" (5.0cm) drain pipe should project 1/2"(1.27cm) above floor line.
Note: Dimensions C and D are 12" ±1/4" from stud to center of drain. Verify your base for final dimensions.

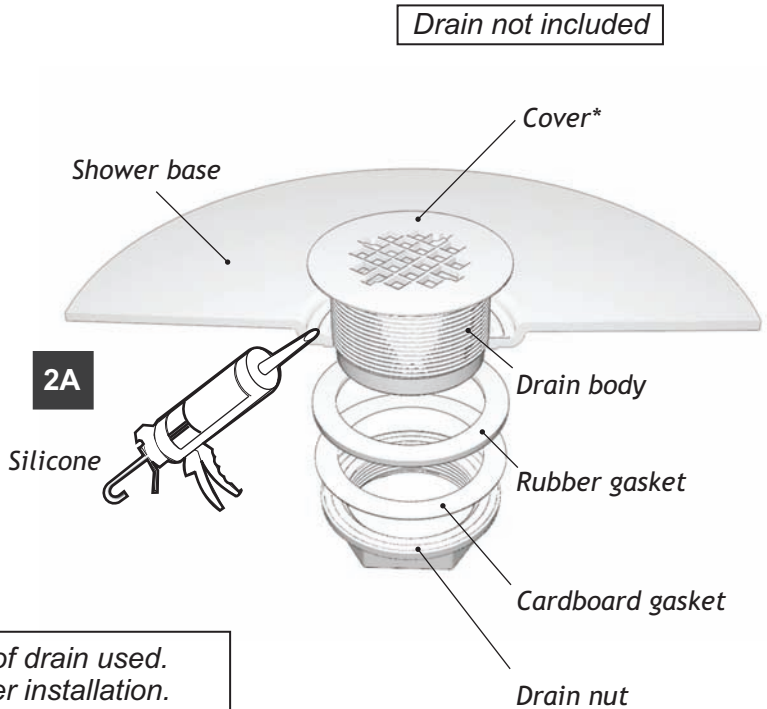


1B. Position base. Verify that the draining pipe location matches the actual location of the base drain. Remove the base.



2 INSTALL THE DRAIN.

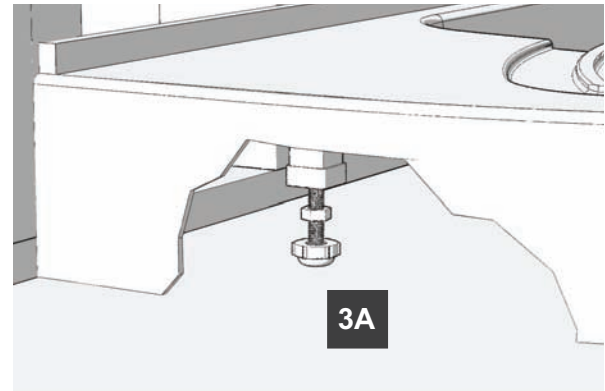
2A. Prior to install the drain on the base, run a bead of silicone between the drain body and shower base.



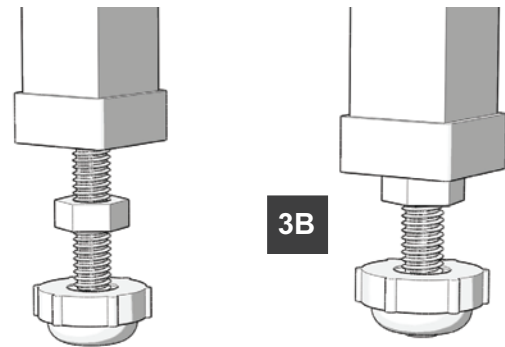
Components might vary according to the model of drain used. Refer to manufacturer's instructions for the proper installation.

3 LEVELING THE BASE.

3A. Level the base by adjusting the legs underneath.
Check your adjustment with a level.

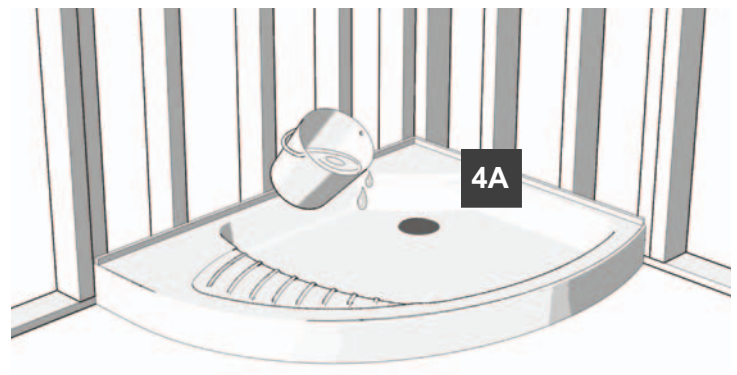


3B. Tighten the hexagon nut to block the legs height.



4 TESTING THE DRAINAGE.

4A. Once the drain is connected, plug the drain and fill the base with a small amount of water.



4B. Check for any leakage around the drain (some bubbles may appear) and below (if you have access to).

4C. Unplug the drain and assure that the drainage is efficient. There must be no puddle of water accumulation in the base.

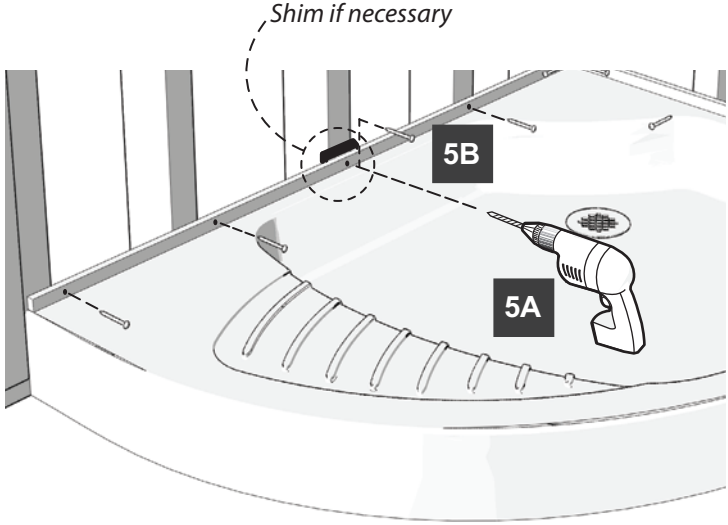


If water doesn't drain properly even though the base is leveled, do not continue this installation.
Please remove the base and return it to your dealer for exchange.

5 FASTEN THE BASE.

5A. Locate and drill with a 3/16" drill bit, the screw location in the tile flange.

5B. Fasten base to studs using #8 x 1 1/4" screws (preferably stainless steel screws)



6 FINISHING.

Tips to achieve a professional looking and watertight finish.

