



ALUMAX

BATH ENCLOSURES

by Sapa

338 Pivot Shower Door-Frameless

Tel: 800-643-1514
Fax: 870-234-3181

www.alumaxbath.com

Product Features

- Available in standard and custom configuration
- Tempered safety glass
- Pivot plates and handle hardware are extruded aluminum
- Vinyl drip wiper is fully adjustable for precise fit to curb
- Pivot side adjustment is $\pm 3/4$

Options

- 1/4 Jamb fill
- 1/2 Jamb fill
- 3/4 Jamb fill
- Curb
- Glass patterns
- Finish

Calculations

- Maximum allowable width of unit = 37 (@ 72 tall)
- Maximum allowable height of unit = 84 (@ 30 wide)

Glass Size

- Width = Unit width - 1 5/8
- Height = Unit ht. - 2 1/2

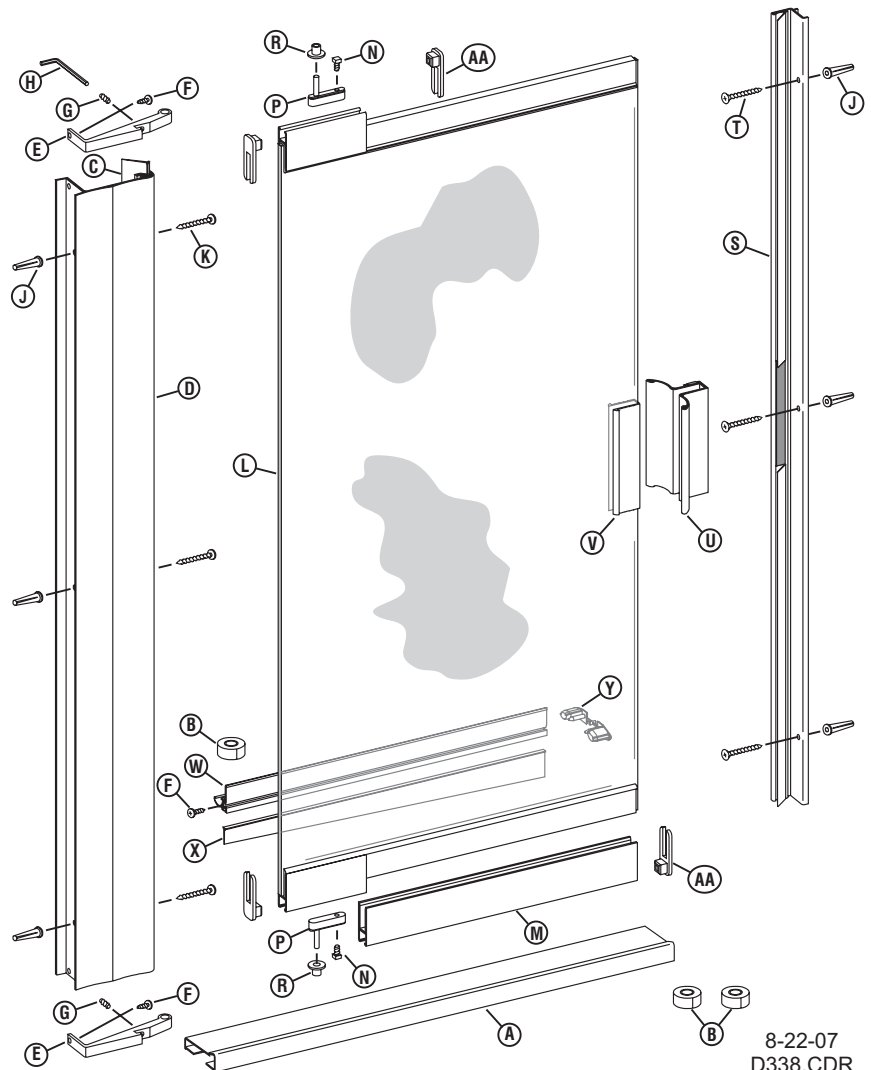
Metal Cuts

- SC-558 top and bottom rail = 4 3/8
- SC-558 bottom rail = Glass width - 4 5/8
- SC-607 curb (optional) = Unit width
- SC-621 pivot jamb = Unit ht. - 7/16
- SC-551 strike jamb = Unit ht. - 1 1/2

338 Parts List

- A. 1 Curb
- B. 3 Rolls of Tape (double-stick)
- C. 1 Pivot Jamb Seal Vinyl
- D. 1 Pivot Jamb
- E. 2 Pivot Bracket
- F. 3 #6 x 3/8 Truss Head Screws
- G. 2 #8 x 1/8 Allen Set Screws
- H. 1 Allen Wrench (5/64)
- J. 6 Plastic Wall Anchors
- K. 3 #8 x 2 Truss Head Screws
- L. 1 Glazed Door Panel
- M. 1 Bottom Rail
- N. 2 #10 x 7/16 Set Screws
- P. 2 Pivot Blocks
- R. 2 Nylon Bushings
- S. 1 Strike Jamb (w/Magnet)
- T. 3 #8 x 1 1/2 Flat Head Screws
- U. 1 Door Handle (w/Magnet)
- V. 1 Door Handle Vinyl (4")
- W. 1 Drip Rail
- X. 1 Tapered Drip Vinyl
- Y. 2 Drip Plugs
- AA. 4 Rail End Caps

Copyright © Alumax Bath Enclosures 2004. All rights reserved.



8-22-07
D338.CDR