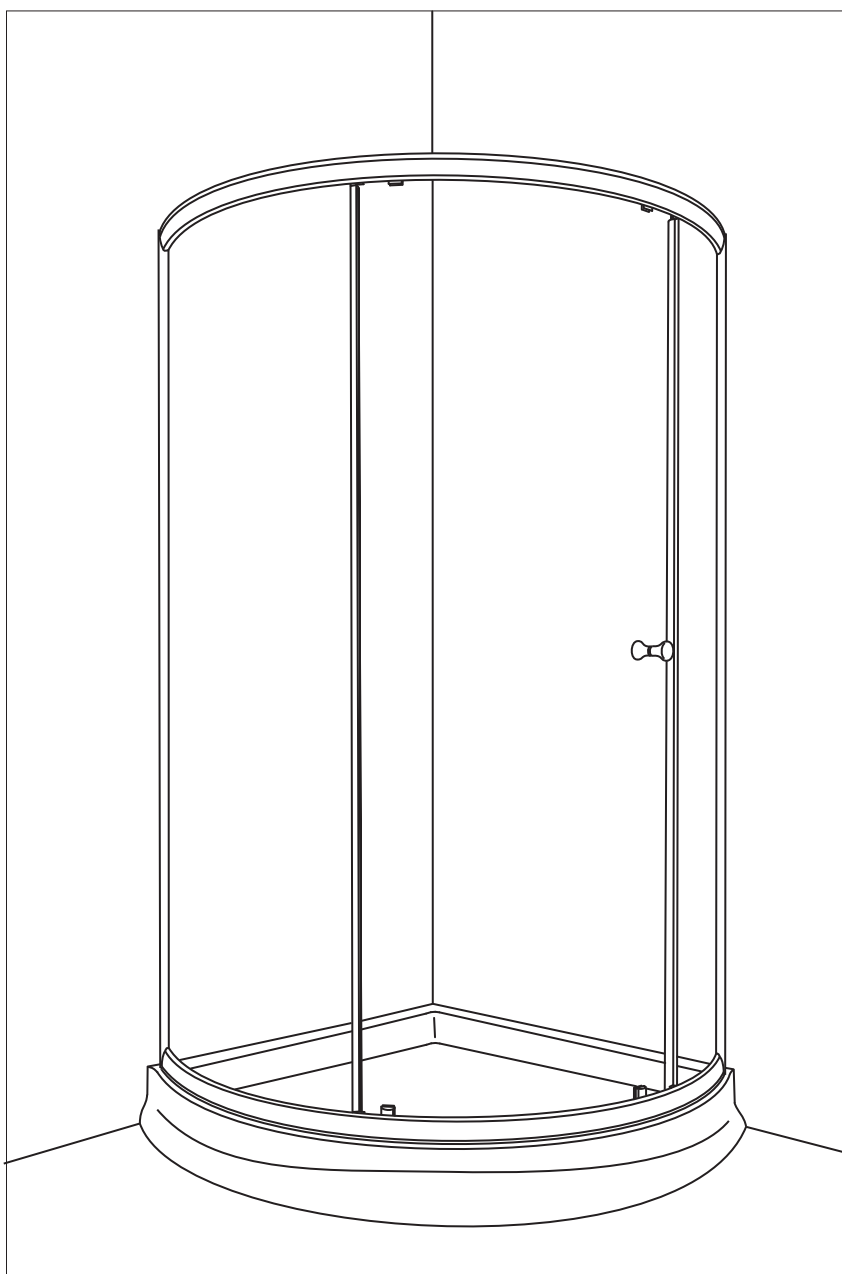


**K-KA3Z** - Kona

*INSTRUCTION MANUAL*

ALUMAX  
*Kula Collection*

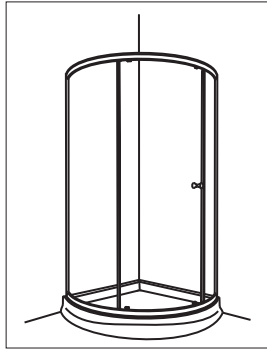
KONA CURVED GLASS SLIDING SHOWER DOOR





Please keep this manual and product code number for future reference and replacement parts ordering if necessary.

## INSTALLATION INSTRUCTIONS FOR CURVED GLASS SLIDING SHOWER DOOR



Congratulations! You have made the right choice in buying this shower system. We are convinced that you will be entirely satisfied with our product.

### READ CAREFULLY AND COMPLETELY BEFORE PROCEEDING

**IT IS RECOMMENDED THAT YOU WEAR SAFETY GLASSES AT ALL TIMES DURING INSTALLATION**

---

#### INSTALLATION OVER CERAMIC TILE

If your shower door is to be installed over ceramic tile, tile should extend completely under both wall jambs. Silicone should be used to seal the line where ceramic tile meets the base.

---

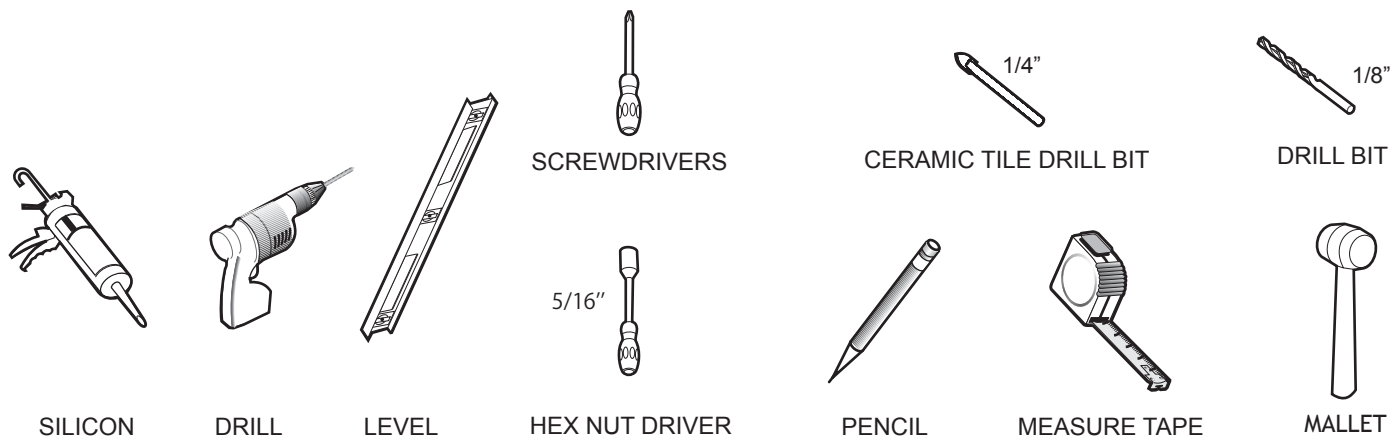
#### HOW TO CARE FOR YOUR DOOR

Never use scouring powder pads or sharp instruments on metal work or glass panels. An occasional wiping down with a mild detergent diluted in water is all that is needed to keep the panels and aluminum parts looking new

---

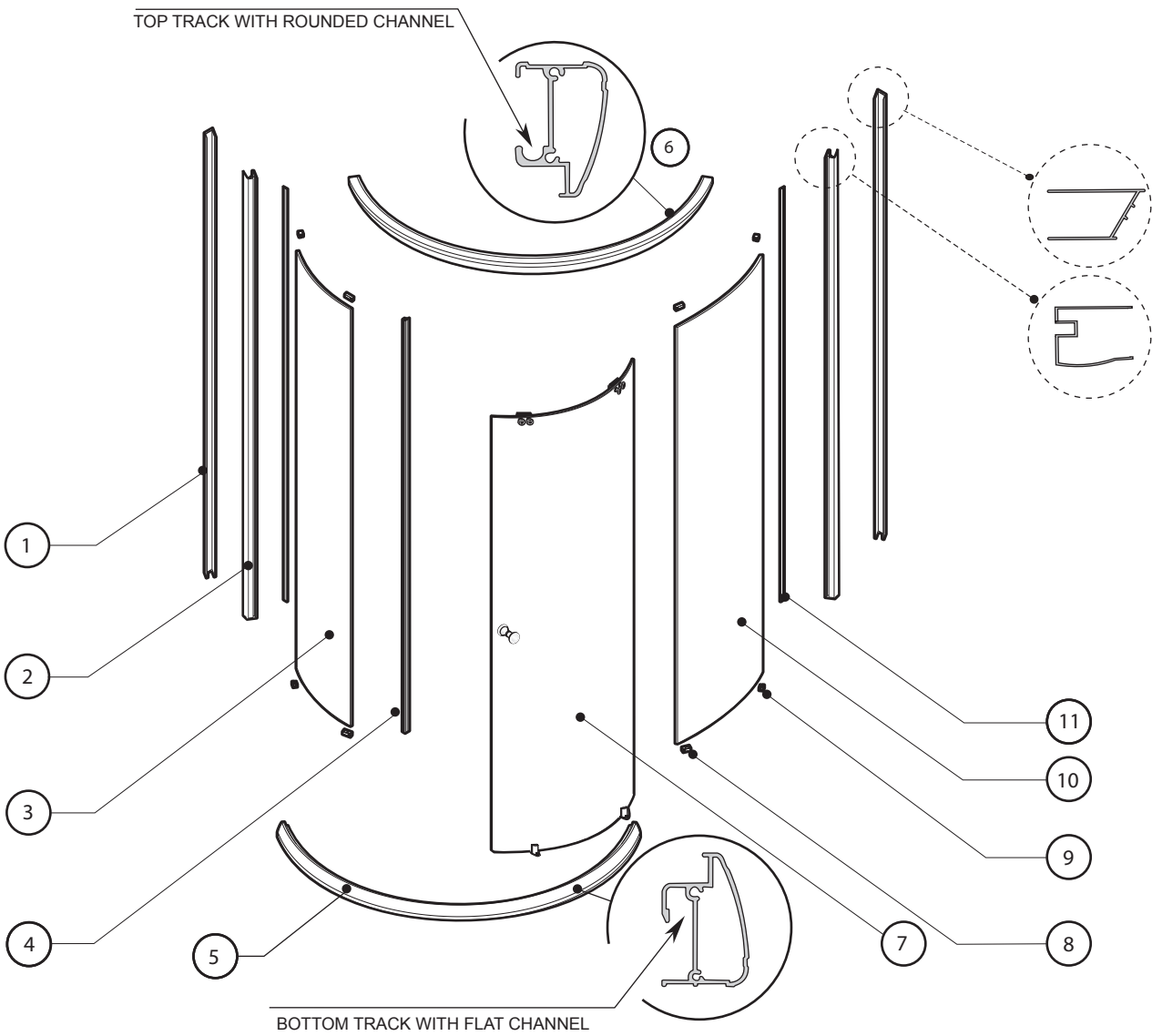
Product specifications are subject to change without notice.

---



PACKAGING CHECK LIST & HARDWARE

<p><b>4</b></p> <p>SET OF HANDLES (1)</p>	<p><b>5</b></p> <p>SIDE GASKET (2)</p>	<p><b>8</b></p> <p>(FOR "PARIS POINT" GLASS ONLY)</p> <p>SIDE GASKET (2)</p>	<p><b>10</b></p> <p>GLASS SUPPORT (8)</p>
<p><b>11</b></p> <p>WALL PLUG (8)</p>	<p><b>12</b></p> <p>(M4 X 8)</p> <p>SCREW 3/8" LG (8)</p>	<p><b>13</b></p> <p>SCREW CAP (8)</p>	<p><b>14</b></p> <p>(M4 X 35)</p> <p>SCREW 1 3/8" LG (14)</p>
<p><b>15</b></p> <p>(M4 X 8)</p> <p>SCREW 1/2" LG (8)</p>			



1 WALL JAMB (2)

2 EXPANDER (2)

3 SMALL FIXED PANEL (1)

4 GASKET (1)

5 BOTTOM TRACK (1)

6 TOP TRACK (1)

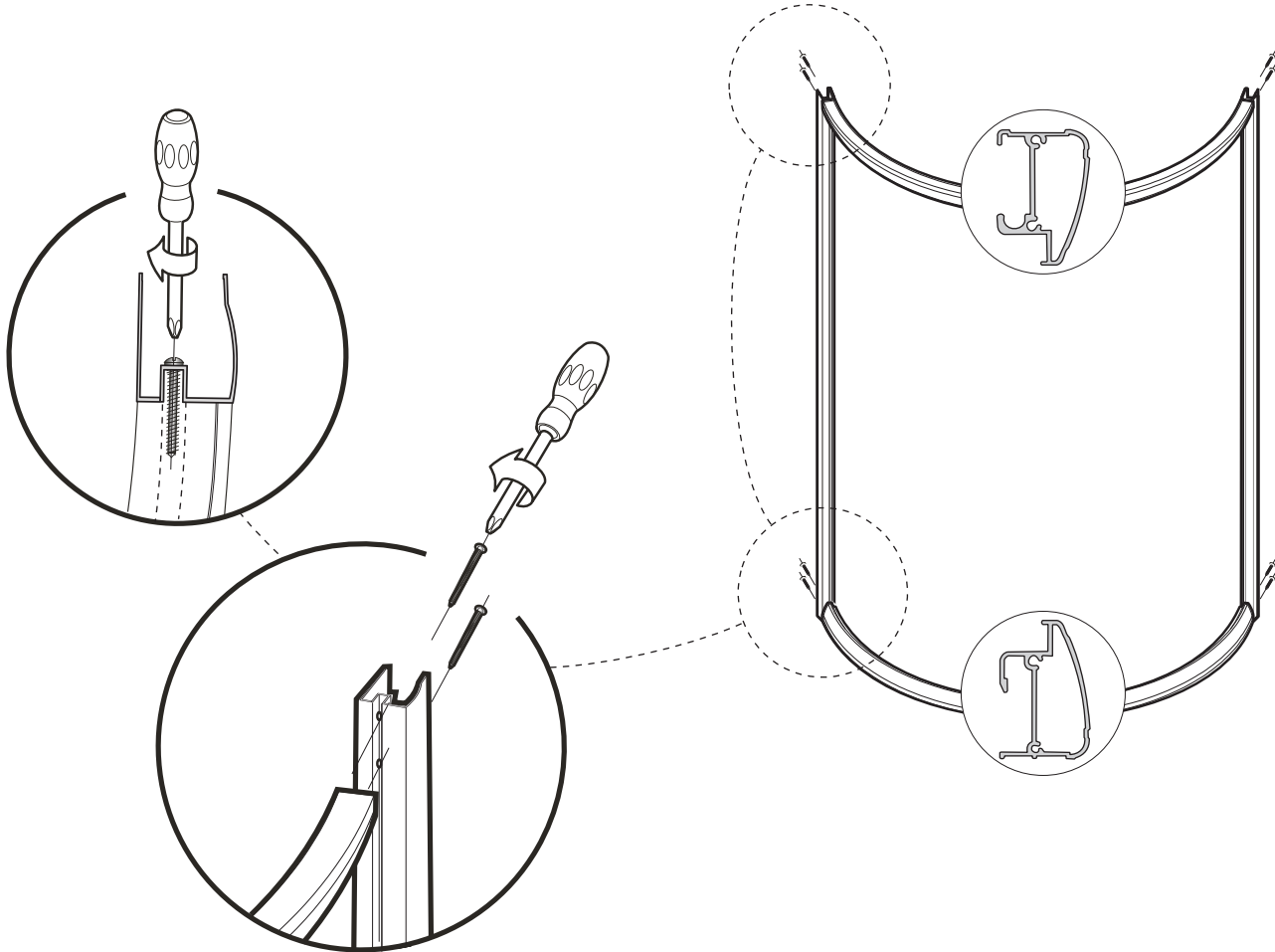
7 DOOR PANEL (1)

8 GLASS SUPPORT /L (4)

9 GLASS SUPPORT /R (4)

10 BIG FIXED PANEL (1)

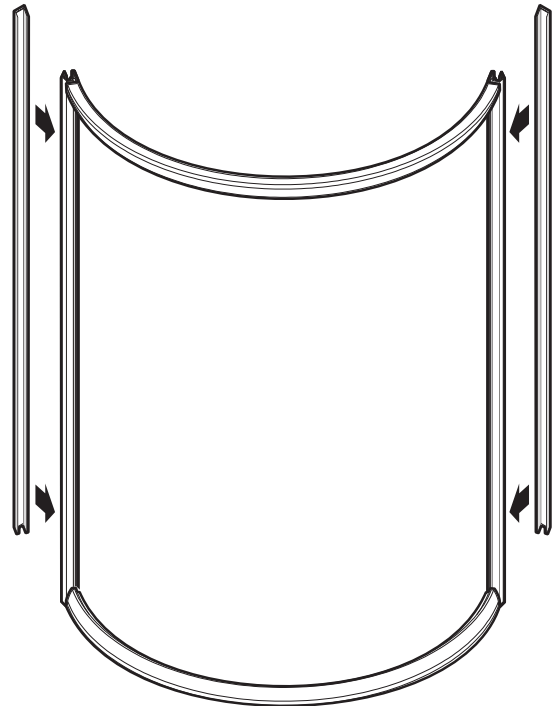
11 SIDE GASKET (2)

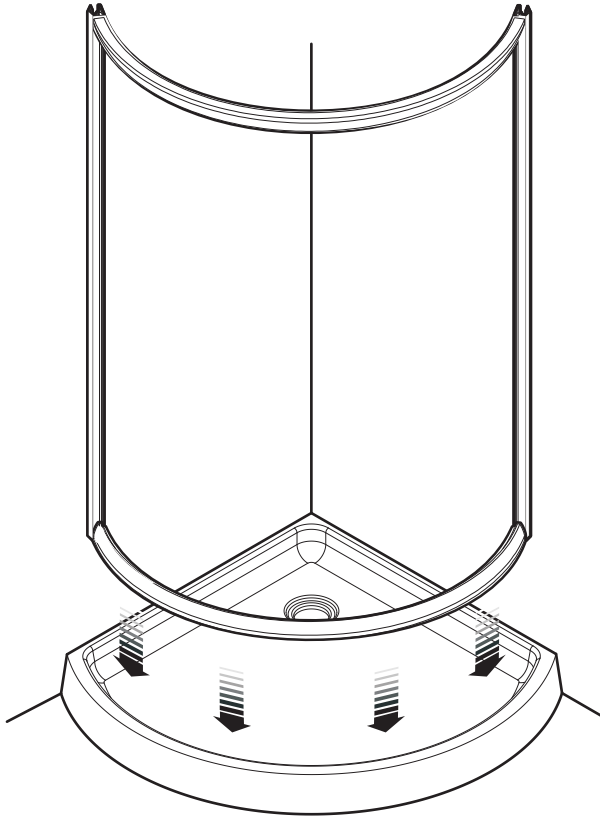


Step  
1 EXPENDER (2) + TRACK (2) + SCREW 1/3/8" LG (8)



Step  
2 INSERT WALL JAMBS TEMPORALLY

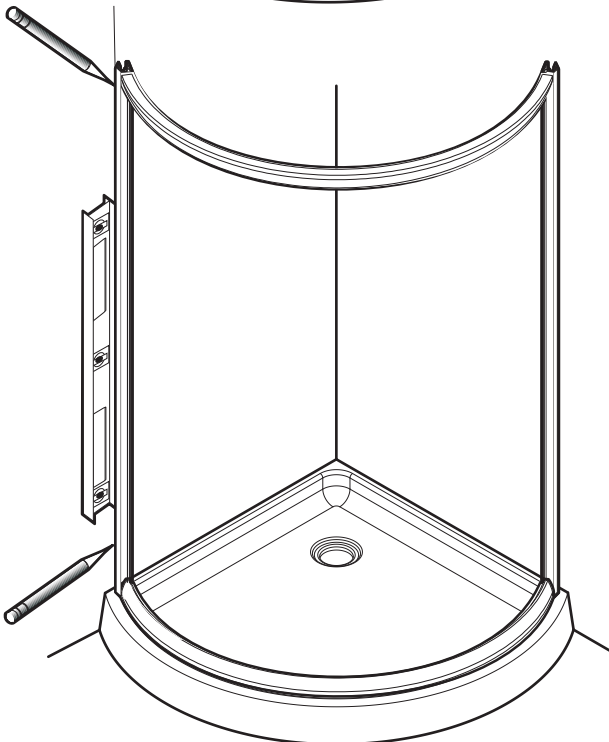




Step

3

POSITION AND CENTER THE FRAME TOGETHER WITH WALLJAMBS ONTO THRESHOLD OF SHOWER BASE.

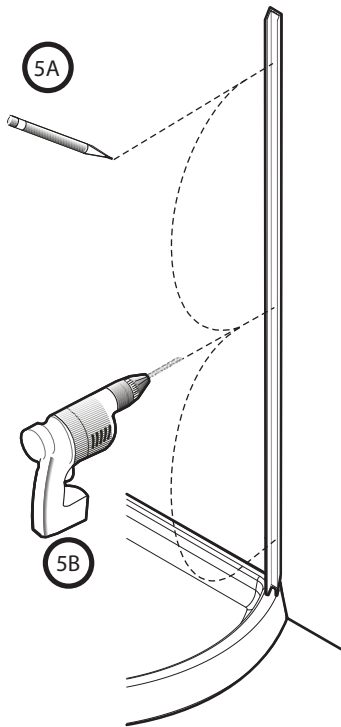


Step

4

- ADJUST AND LEVEL THE FRAME ASSEMBLY.
- TRACE OUTER EDGE OF WALL JAMBS.
- REMOVE FRAME ASSEMBLY FROM BASE.

ON BOTH SIDE

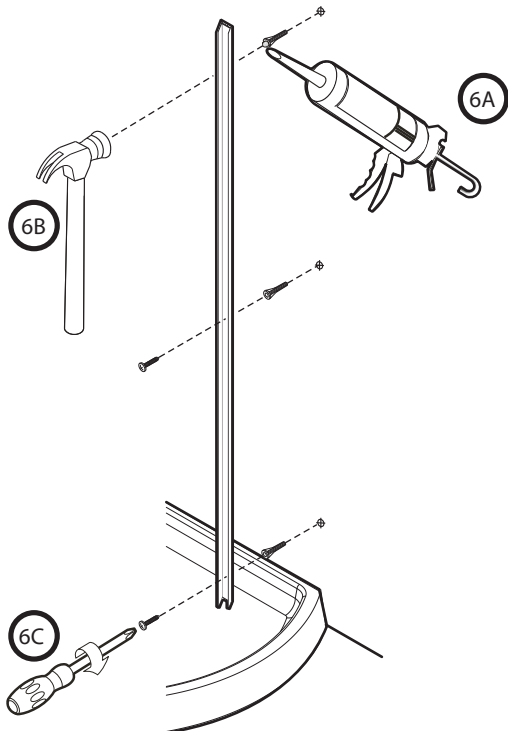


Step

5

- REALIGN WALL JAMB WITH REFERENCE LINE (2).
- MARK DRILLING LOCATION FOLLOWING PILOT HOLES.
- DRILL HOLES BY USING SUITABLE 1/4" DRILL BIT.

ON BOTH SIDE



Step

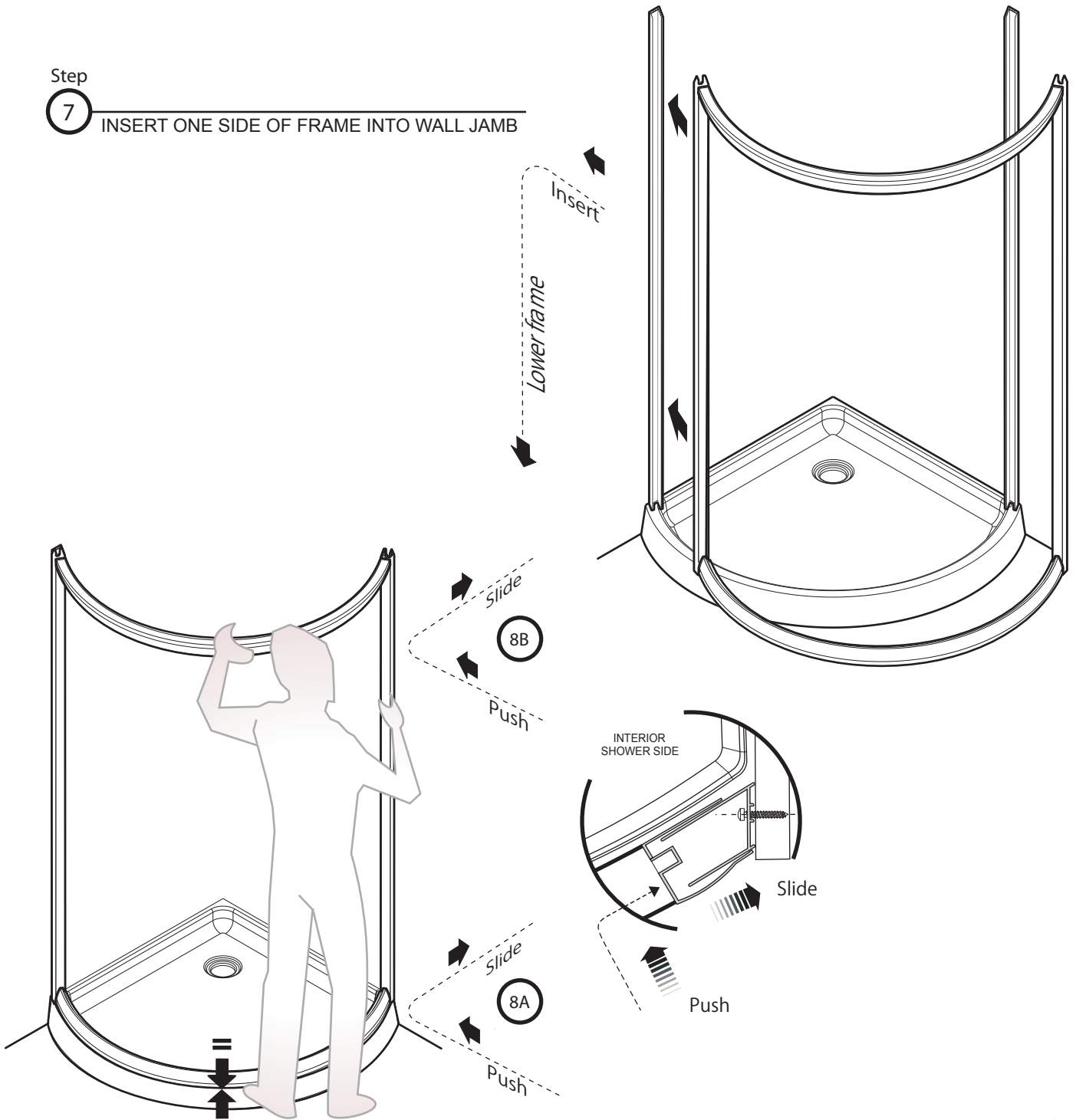
6

- INSERT THE WALL PLUGS (6) AND PUT IN EACH A DROP OF SILICONE.
- SECURE THE WALL JAMB USING 1 3/8" SCREWS (6)



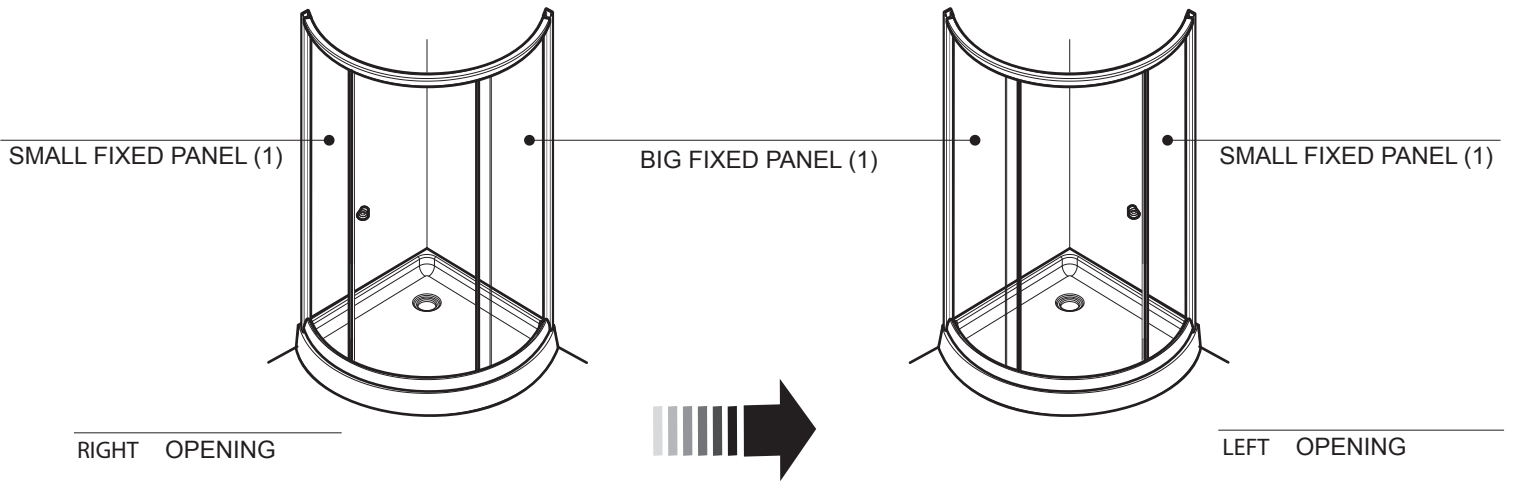
Step

7 INSERT ONE SIDE OF FRAME INTO WALL JAMB

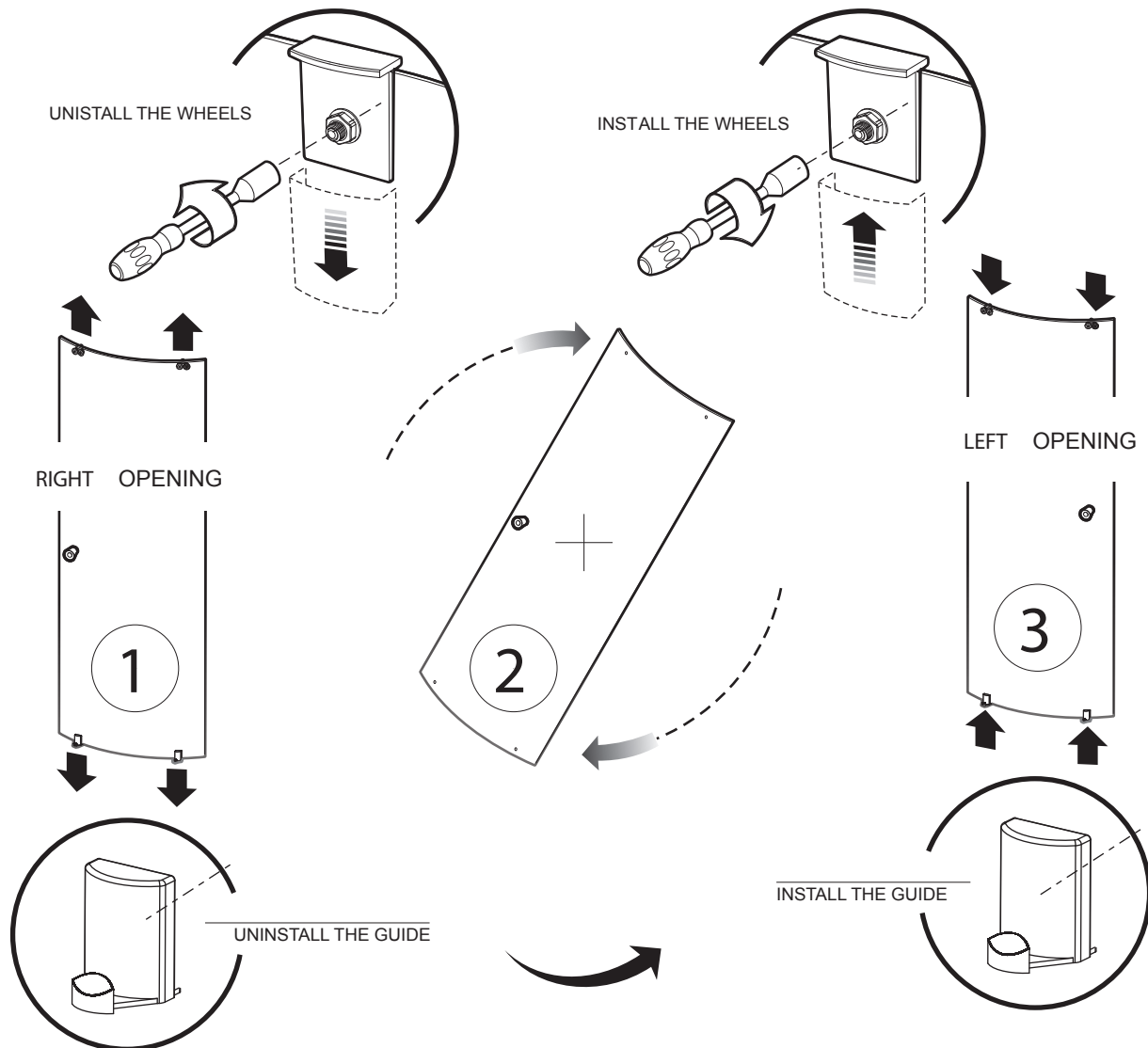


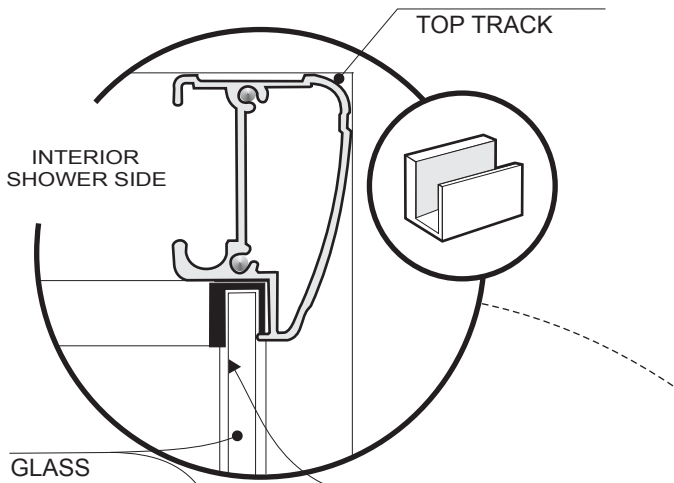
Step

8 ENGAGE THE OTHER SIDE OF FRAME INTO WALL JAMB

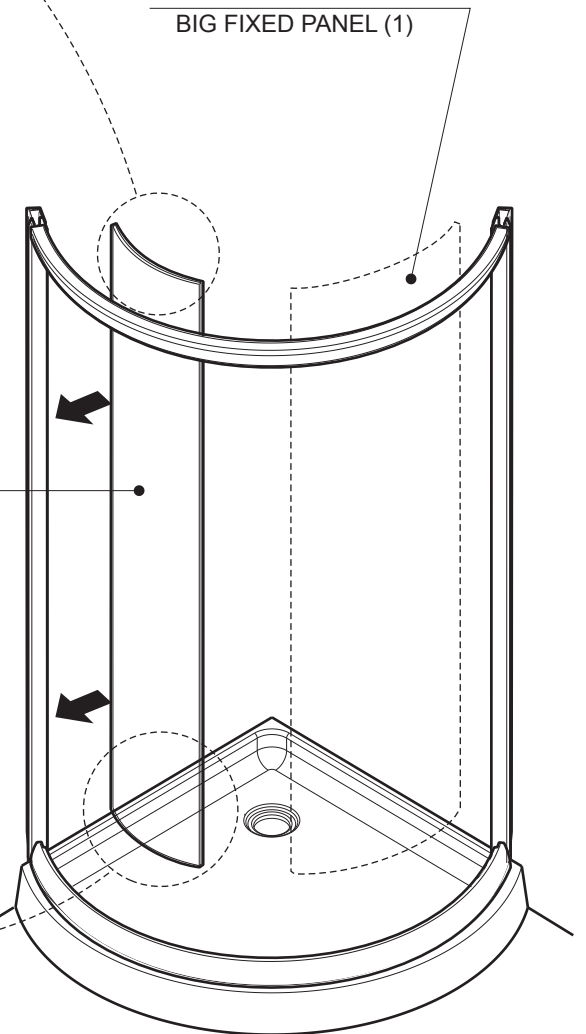
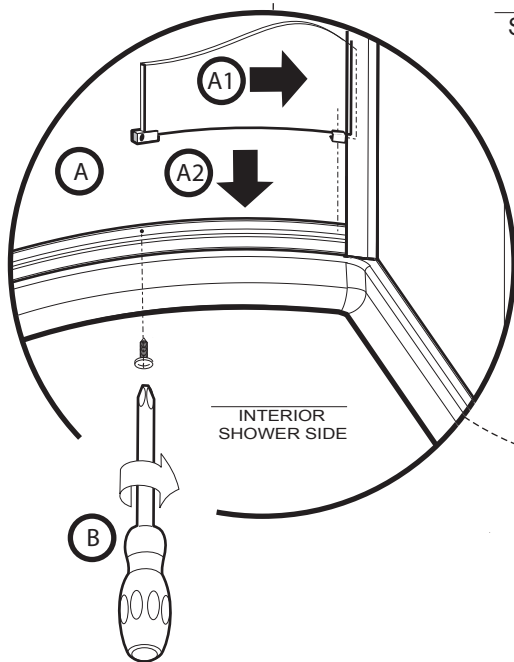
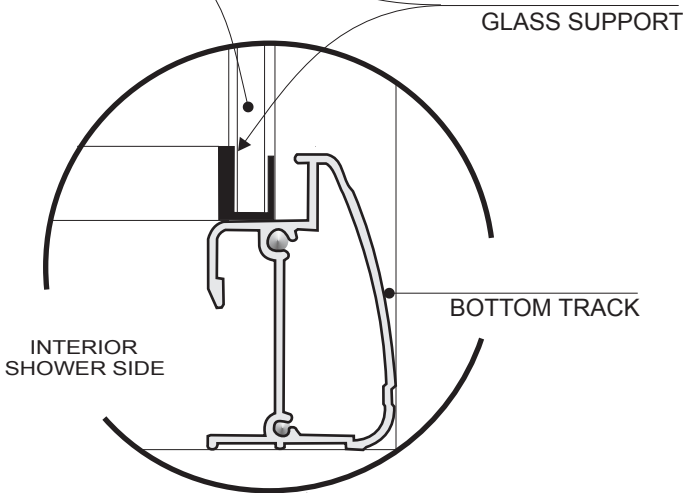


Step  
9 DECIDE LEFT OR RIGHT DOOR OPENING





Step  
**10** FIXED PANEL (2) ON BOTH SIDE

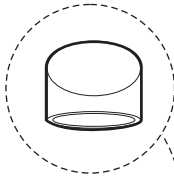


Step  
**11** GLASS SUPPORT (8) + SCREW 1/2" LG (4)

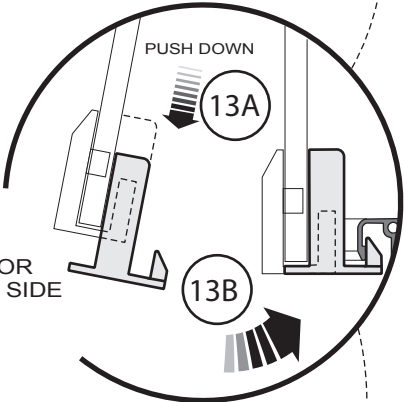
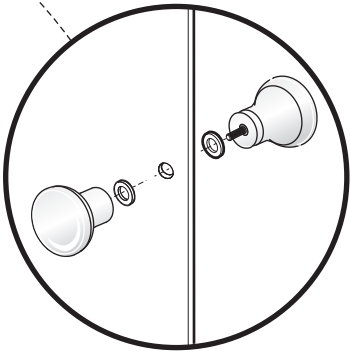
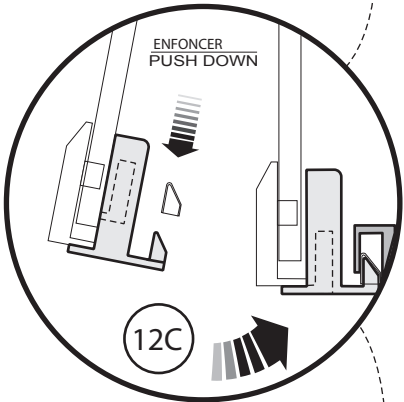
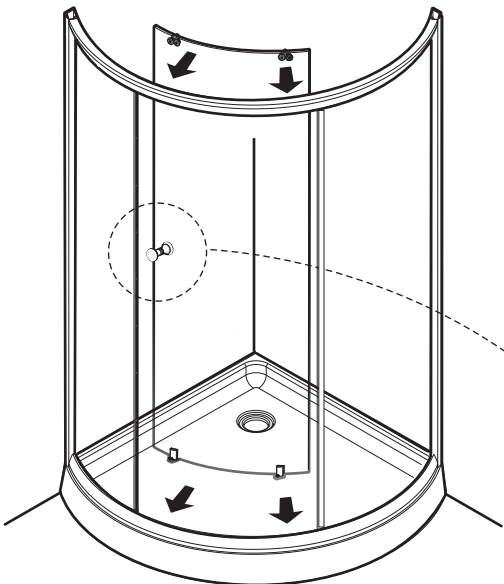
Step

12

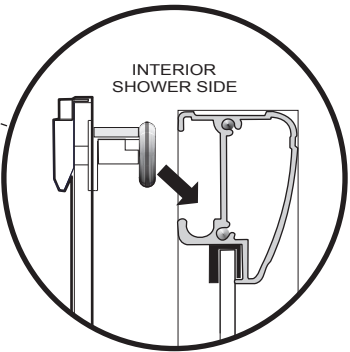
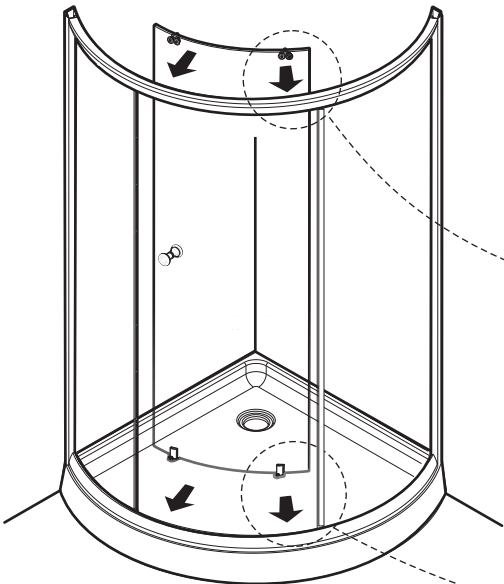
INSTALL DOOR PANEL



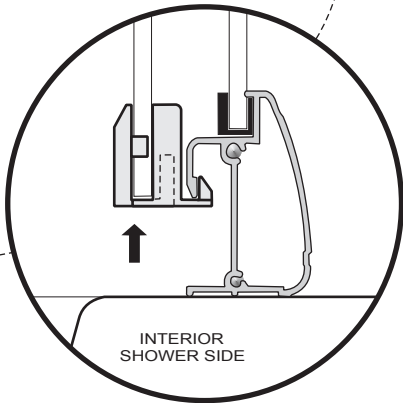
(OPTIONAL)



INTERIOR SHOWER SIDE



INTERIOR SHOWER SIDE



INTERIOR SHOWER SIDE

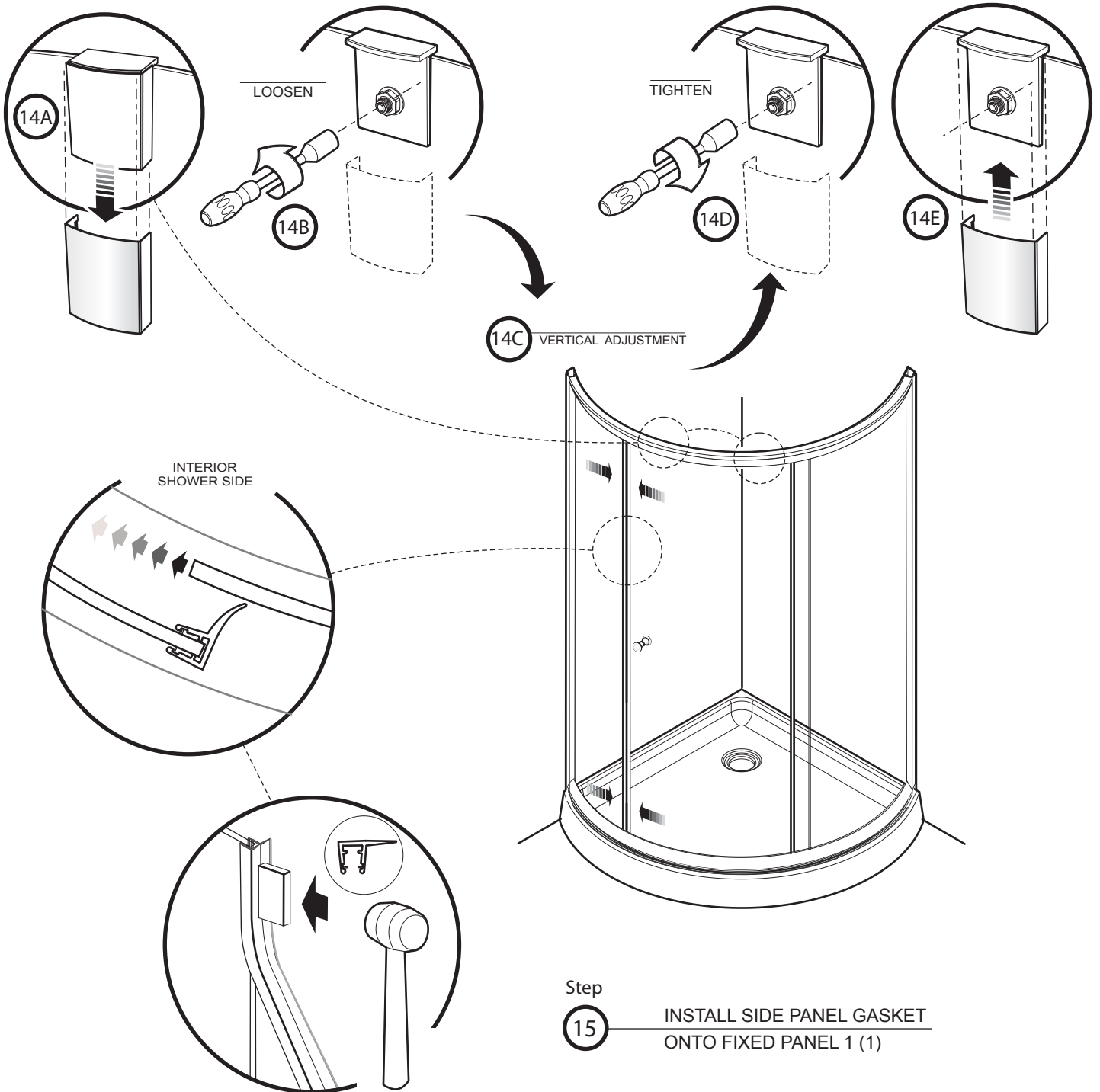
Step

13

INSERT DOOR PANELS INTO TOP & BOTTOM TRACK

Step

**14** USE HEX NUT DRIVER OR PLIERS FOR VERTICAL DOOR ADJUSTMENT

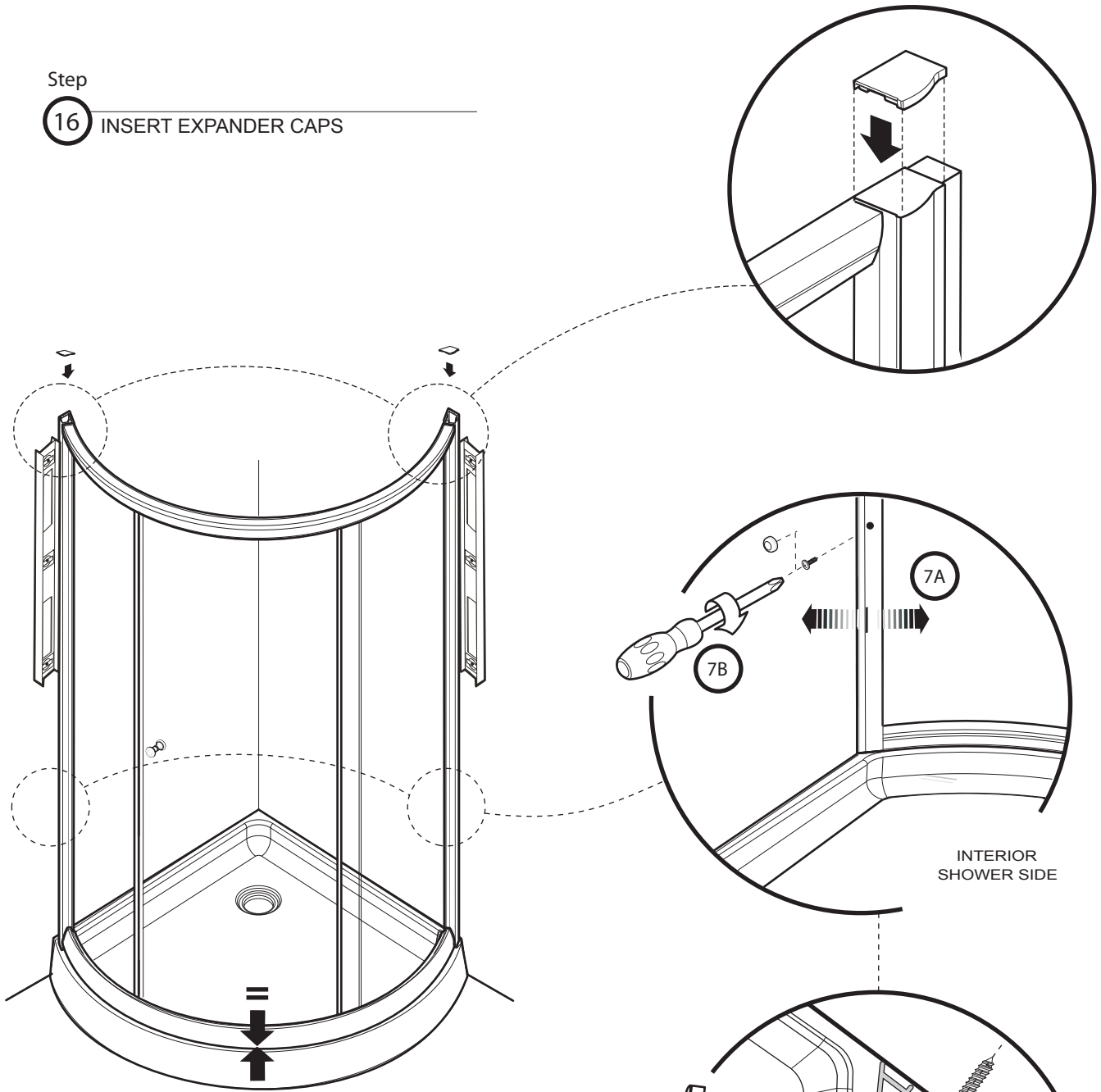


Step

**15** INSTALL SIDE PANEL GASKET ONTO FIXED PANEL 1 (1)

Step

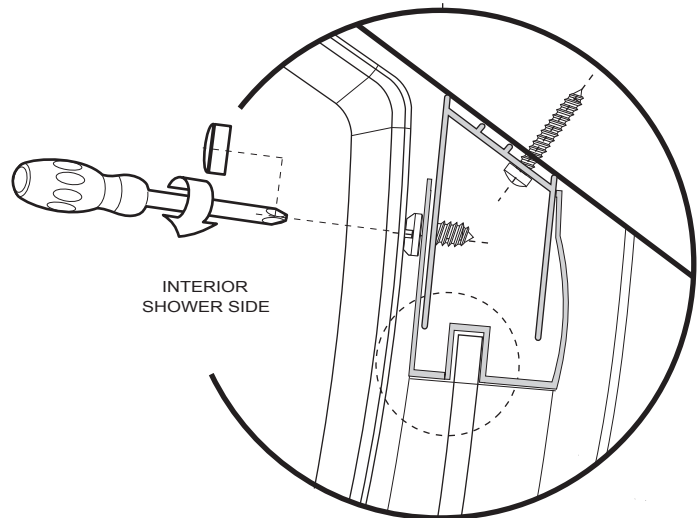
16 INSERT EXPANDER CAPS



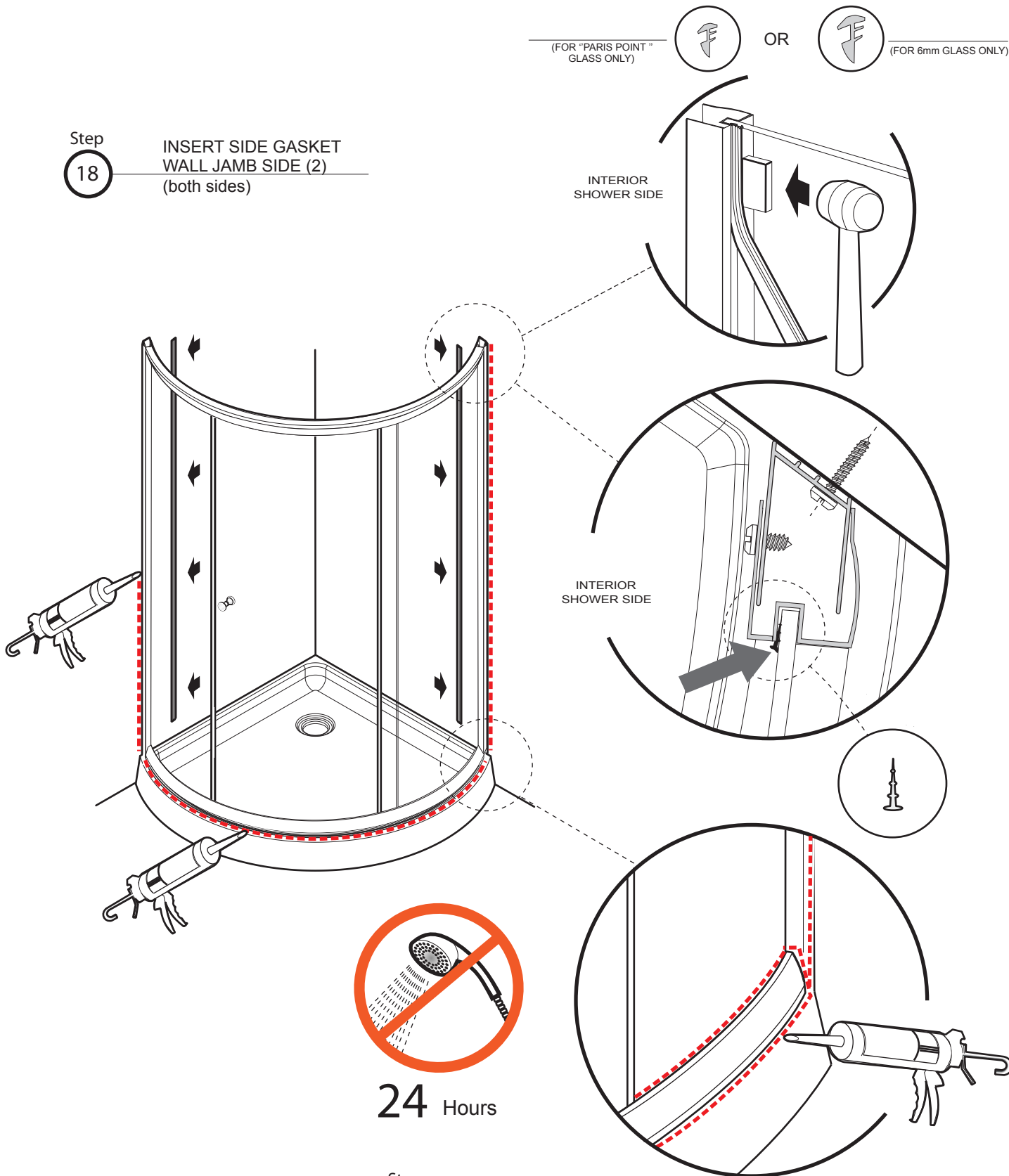
Step

17 SCREW 3/8" LG (8) + SCREW CAP (8)

ON BOTH SIDE



Step 18 INSERT SIDE GASKET WALL JAMB SIDE (2) (both sides)



Step 19 SILICONE EXTERIOR OF ( BOTTOM TRACK + ALONG WALL JAMB)