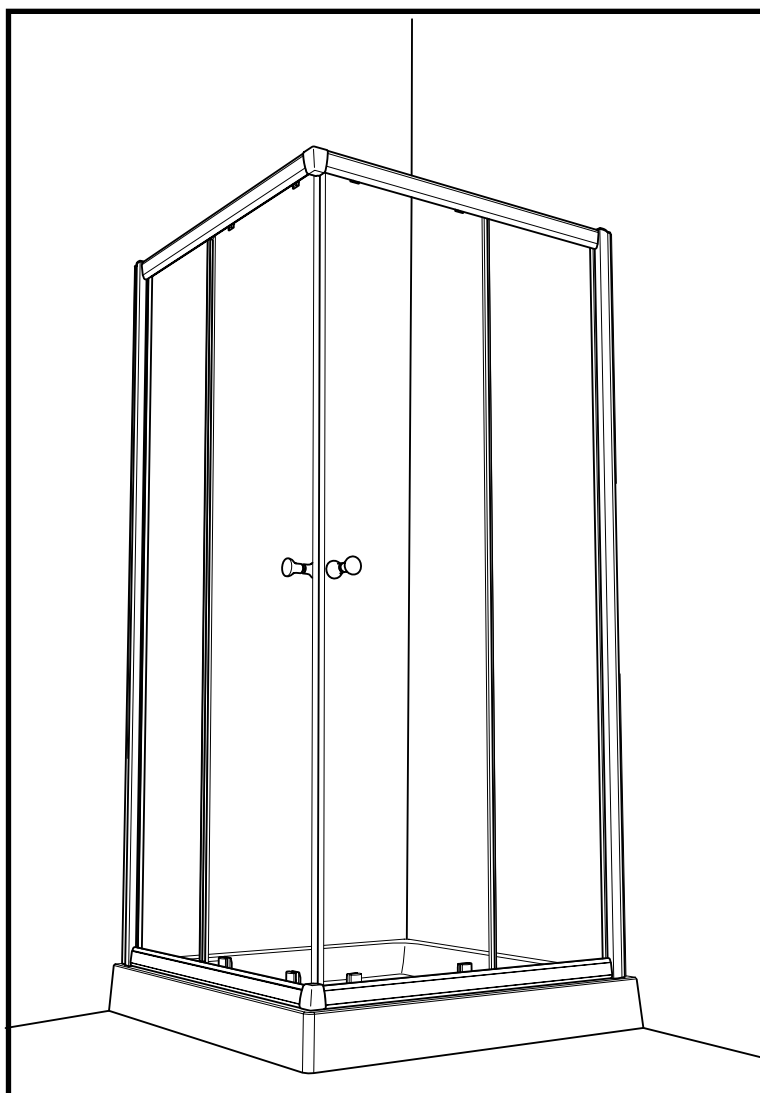


K-KC4Z - Kona

INSTRUCTION MANUAL

ALUMAX
Kula Collection



07.10

KK008

- Model Number

Please keep this manual and product code number for future reference and to order replacement parts if necessary.

- General Instructions

- *Read this manual carefully and completely before proceeding.*
- *It is recommended that you wear safety glasses at all times during the installation.*

- Installation over Ceramic Tiles

- *Silicone should be used to seal the gap where the ceramic tiles meet the fixed panel.*
- *If your shower door is to be installed over ceramic tiles, the tiles should lay completely under the wall jamb.*

- Notice

- *Caulking: no sealant is required inside the shower.*
- *All models are equipped with transparent sealing gaskets.*

- Care for your Frameless Shower Door

- *Never use scouring powder pads or sharp instruments on metal pieces or glass panels.*
An occasional wiping down with a mild soap diluted in water is all that is needed to keep the panels and aluminum parts looking new.
- *We recommend wiping the glass panels with a squeegee after each use.*

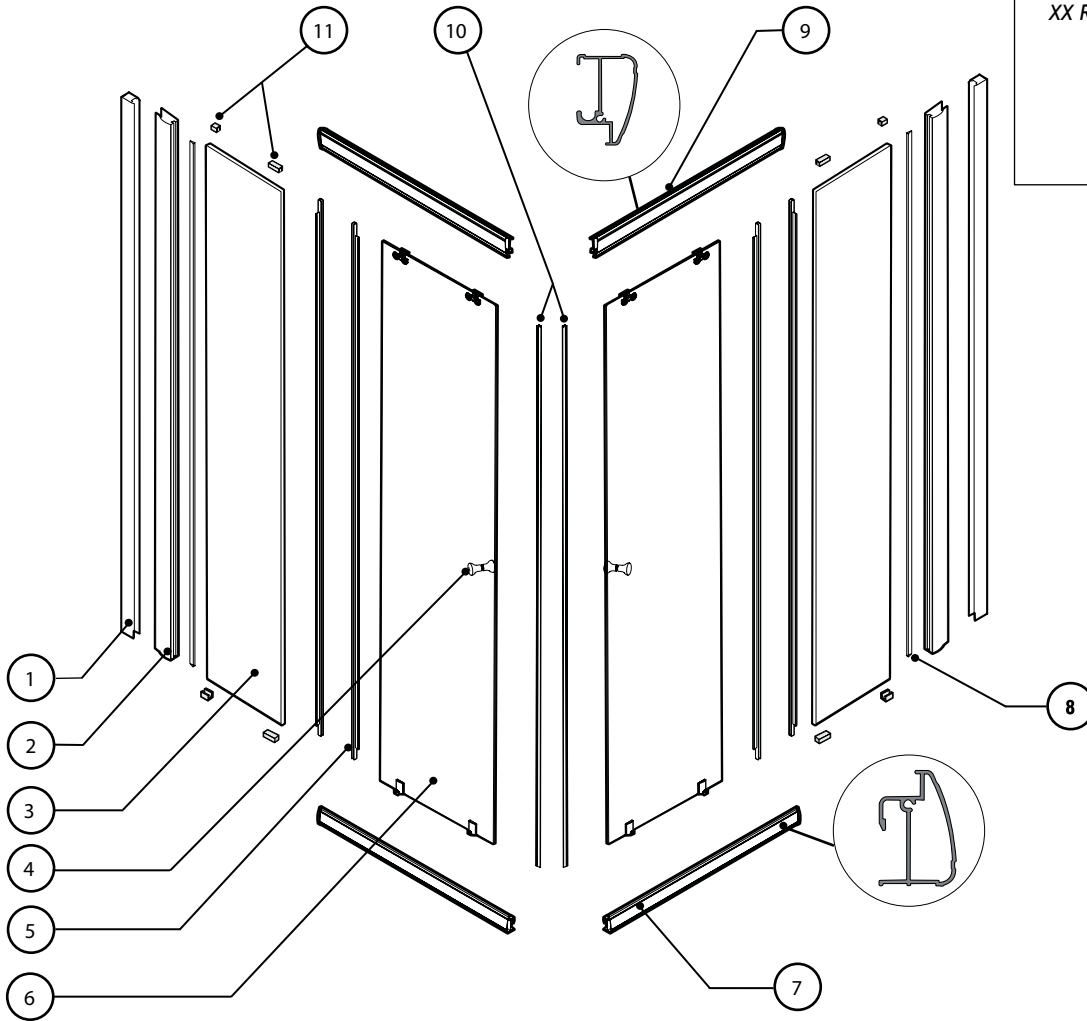
Product specifications are subject to change without notice.

PARTS LISTING

NOTE

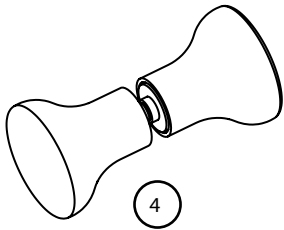
XX REFERS TO THE MATERIAL FINISH

- 11- Bright Chrome
- 12- Bright Brass
- 25- Brushed Nickel
- 29- Oil Rubbed Bronze



ITEM	PARTS	QTY
1	WALL JAMB	2
2	EXPANDER	2
3	FIXED PANEL	2
4	SET OF HANDLES	2
5	DOOR SIDE GASKET	4
6	DOOR PANEL ASSEMBLY	2
7	BOTTOM TRACK	2
8	SIDE GASKET WALL JAMB SIDE	2
9	TOP TRACK	2
10	MAGNETIC DOOR GASKET	2
11	GLASS SUPPORT	8

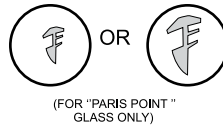
PROVIDED HARDWARE



4

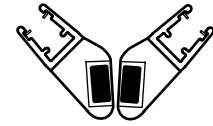


5

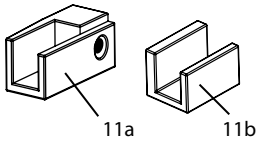


8

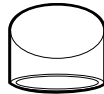
(FOR "PARIS POINT"
GLASS ONLY)



10



11



12



13



14



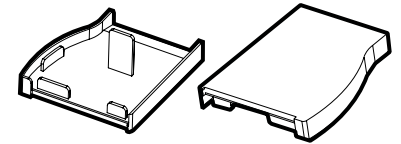
15



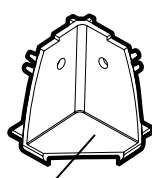
16



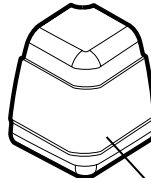
17



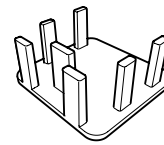
18



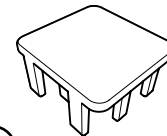
19a



19b



20

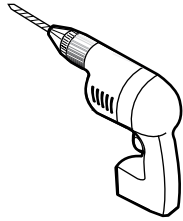


ITEM	HARDWARE	QTY
4	SET OF HANDLES	2
5	SIDE GASKET	4
8	SIDE GASKET WALL JAMB SIDE	4
10	MAGNETIC DOOR GASKET	1
11	GLASS SUPPORT	8
12	BOTTOM SLIDER SHIM	4
13	WALL PLUG	8
14	SCREW (M4 x 8)	8
15	SCREW CAP	8
16	SCREW (M4 x 35)	12
17	SCREW (M4 x 8)	8
18	EXPANDER CAP	2
19	CONNECTOR	2
20	WALL JAMB CAP	

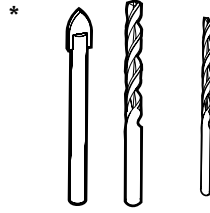
TOOLS AND MATERIALS REQUIRED



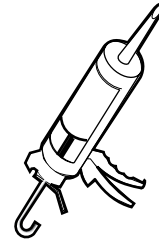
SCREWDRIVERS



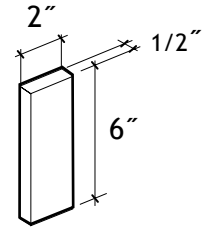
DRILL



1/4" & 1/8" DRILL BITS



SILICONE

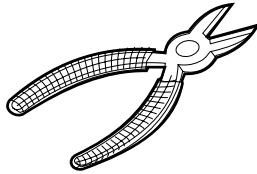


WOODEN BLOCK

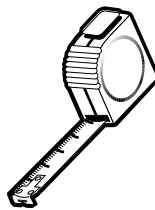
**If the shower panels are to be assembled on ceramic tiles, use a 1/4" drill bit for ceramic tiles.*



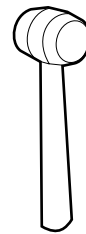
PENCIL



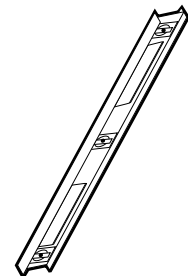
CUTTING PLIER



TAPE MEASURE

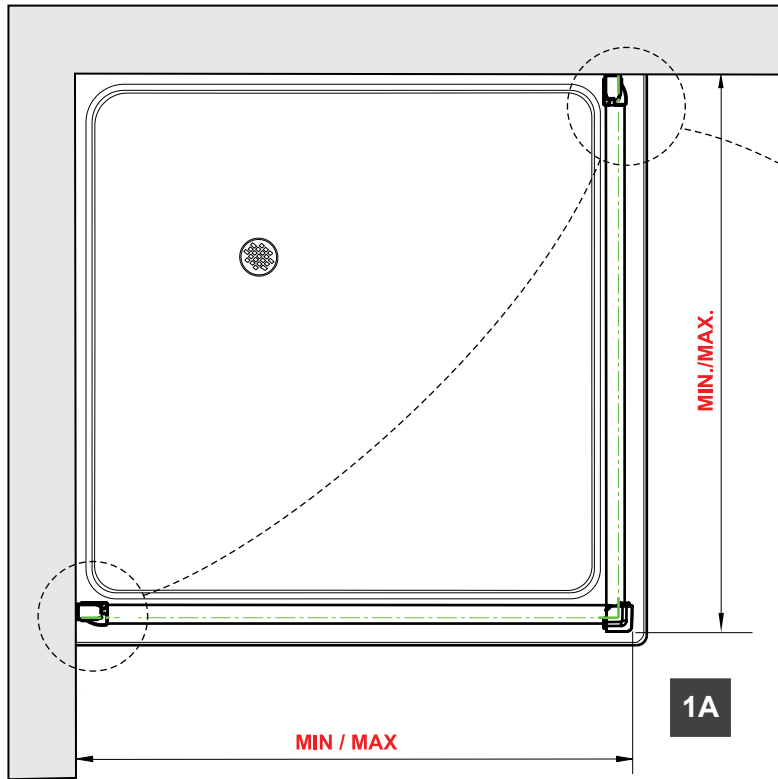


MALLET

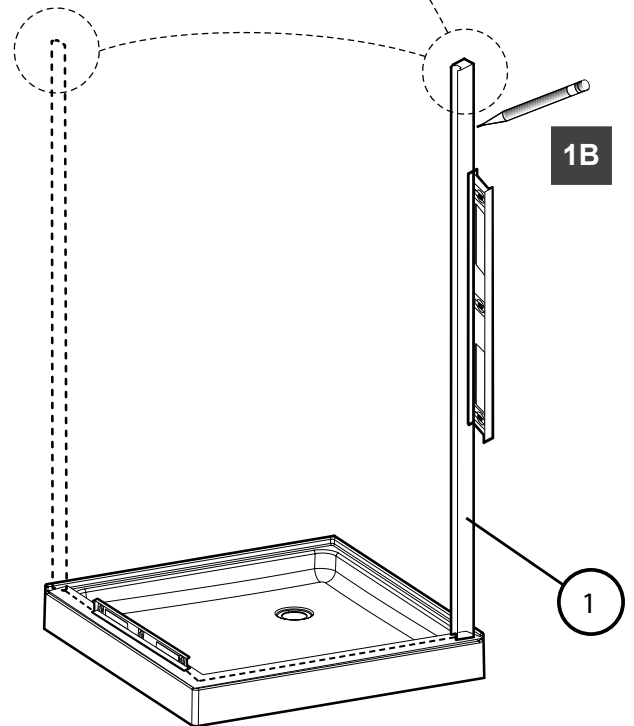


LEVEL

1 CENTER AND INSTALL THE WALLJAMB



MODEL	MIN (in / cm)	MAX (in / cm)
32	31 1/4" (79cm)	32" (81cm)
36	34 1/4" (87cm)	35" (89cm)
42	40 3/8" (102.5cm)	41 1/8" (104cm)



1A. Refer to the limits given (Min/Max), position and center the wall jamba (#1) on the shower threshold.

1B. Trace outer edge of wall jamba.

2 MOUNT THE WALL JAMBS.

2A. Reposition one of the wall jambs (#1) on the shower threshold.

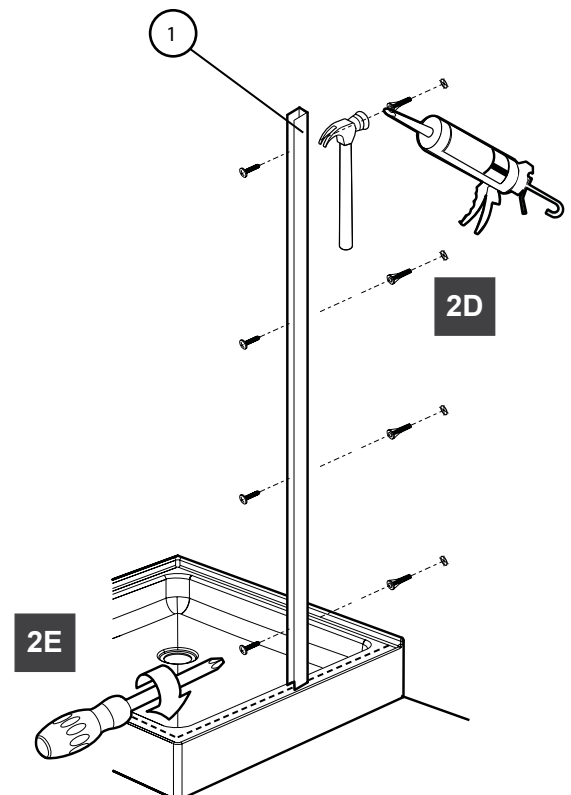
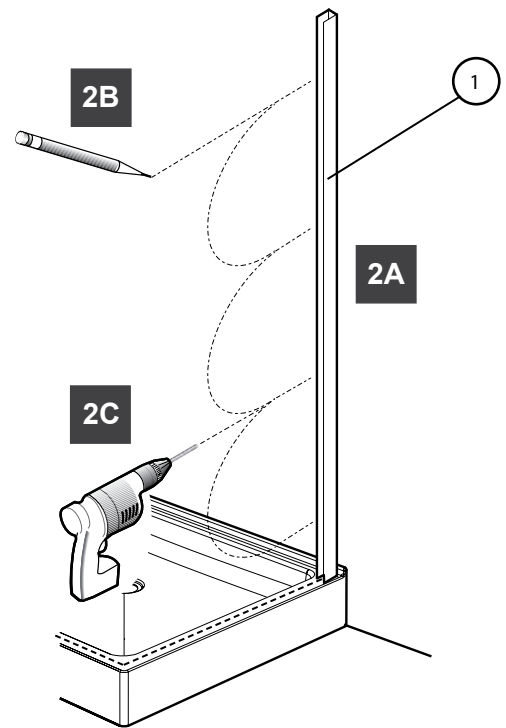
2B. Mark drilling location.

2C. With a 1/4" drill bit, drill 4 holes.

2D. Insert 4 wall plugs (#13) and put in each a drop of silicone.

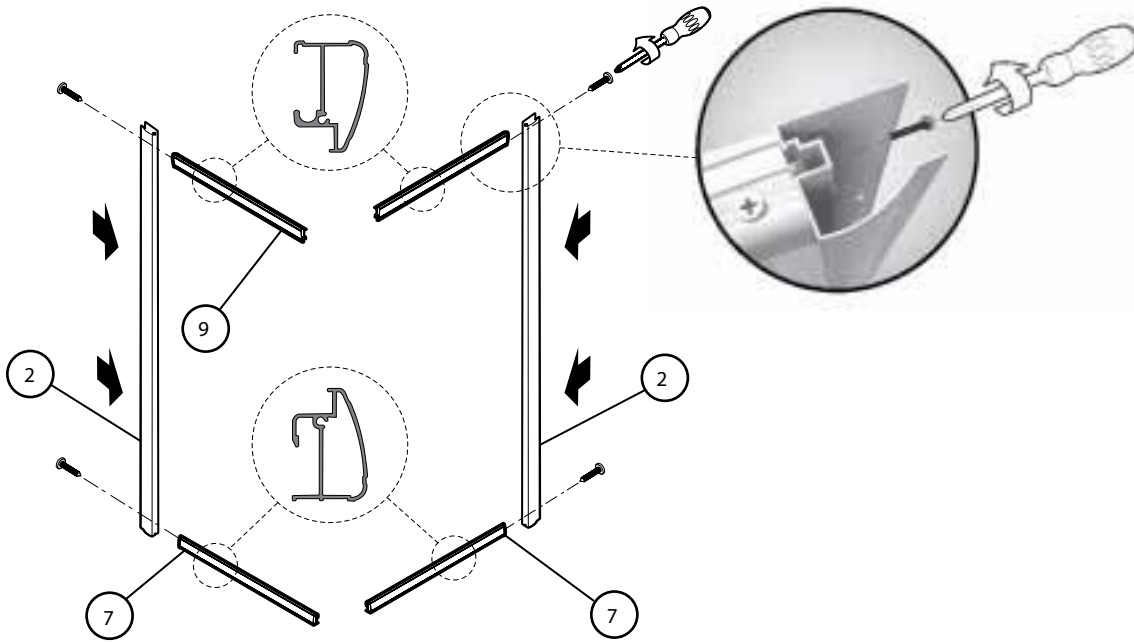
2E. Secure the wall jamb (#1) using the 1 3/8" screws (#16).

2F. Repeat the same step for the other wall jamb.



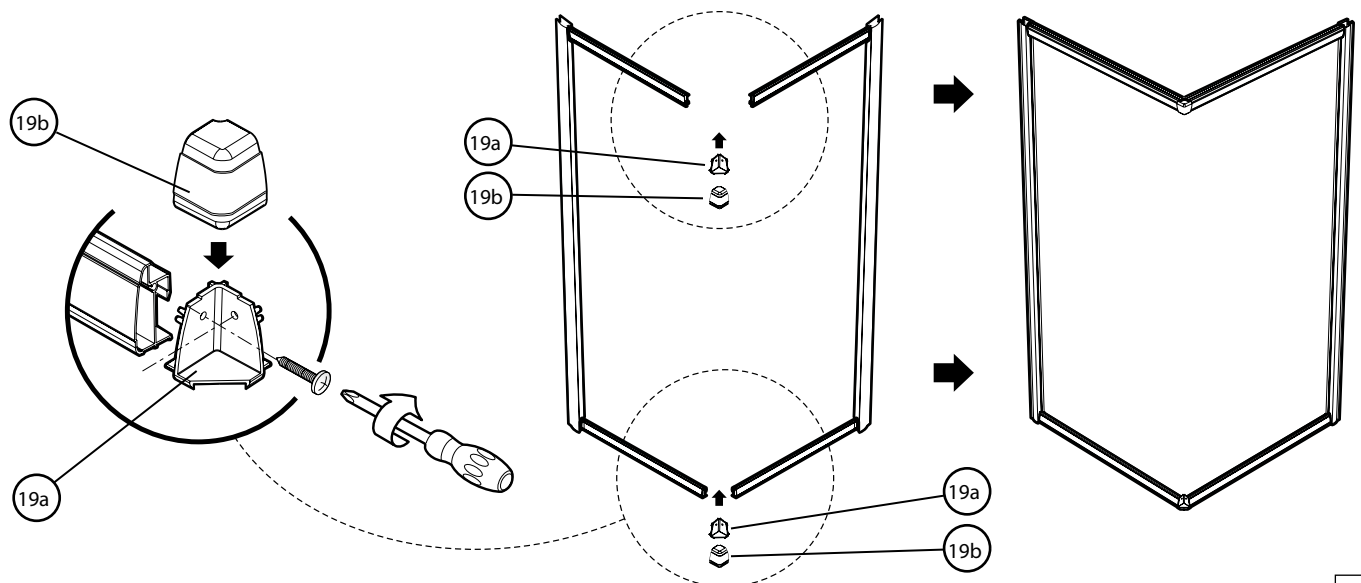
3 BUILD TWO HALVES-FRAMES.

3A. Mount on the each expander (#2) the two track (#7 & #9) to form two halves-frames.



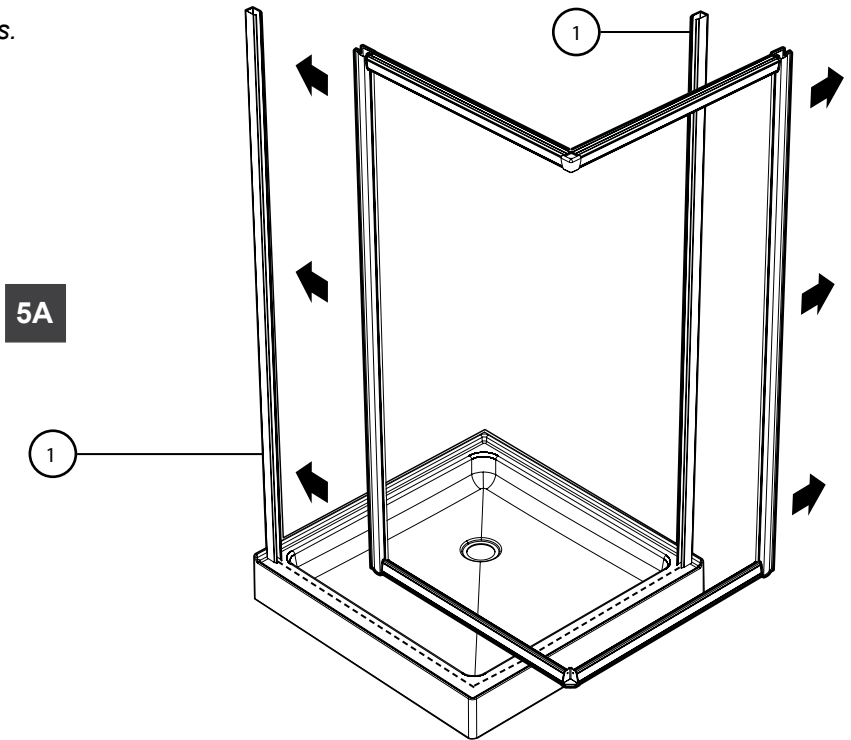
4 BUILD THE FRAME.

4A. Use the connectors (#19a) to close the frame and add the cover (#19b).



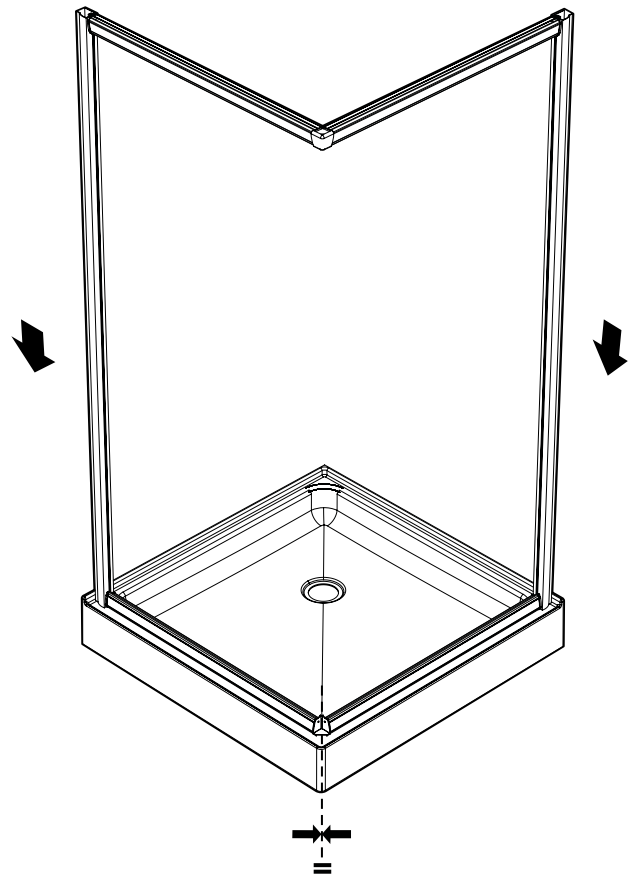
5 MOUNT THE FRAME.

5A. *Insert the frame into the installed wall jambs.*



1

5A

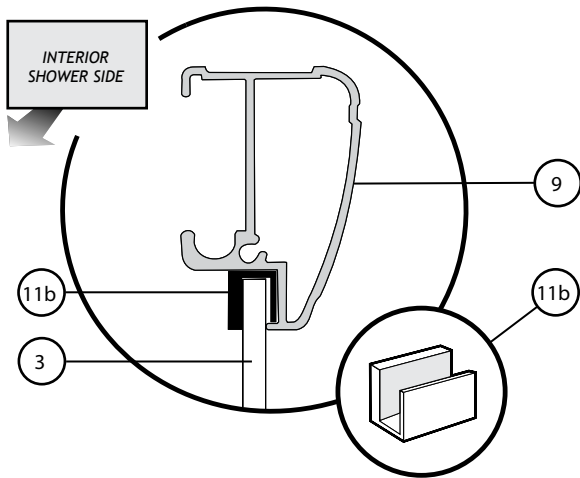


5B

5B. *Position and center the frame onto threshold of shower base.*

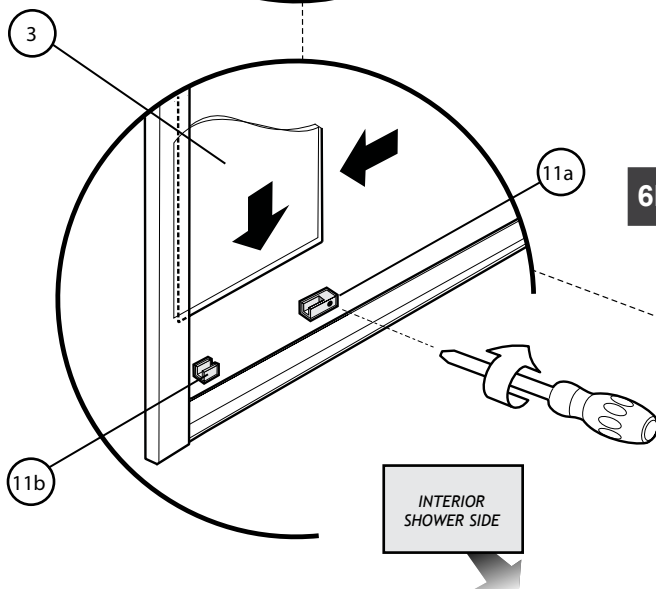
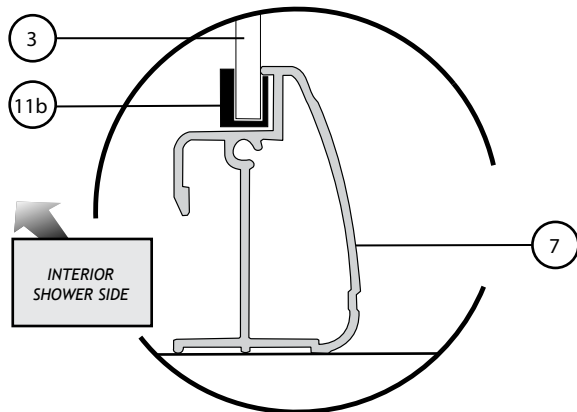
6 INSTALL THE FIXED PANEL.

6A. Insert fixed panel support blocks (#11a & 11b) at each corner of the fixed panels. (# 3).

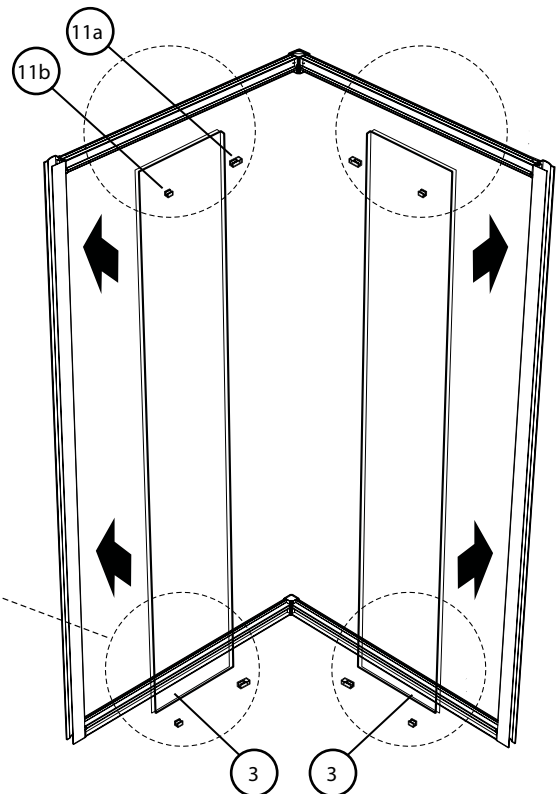


6A

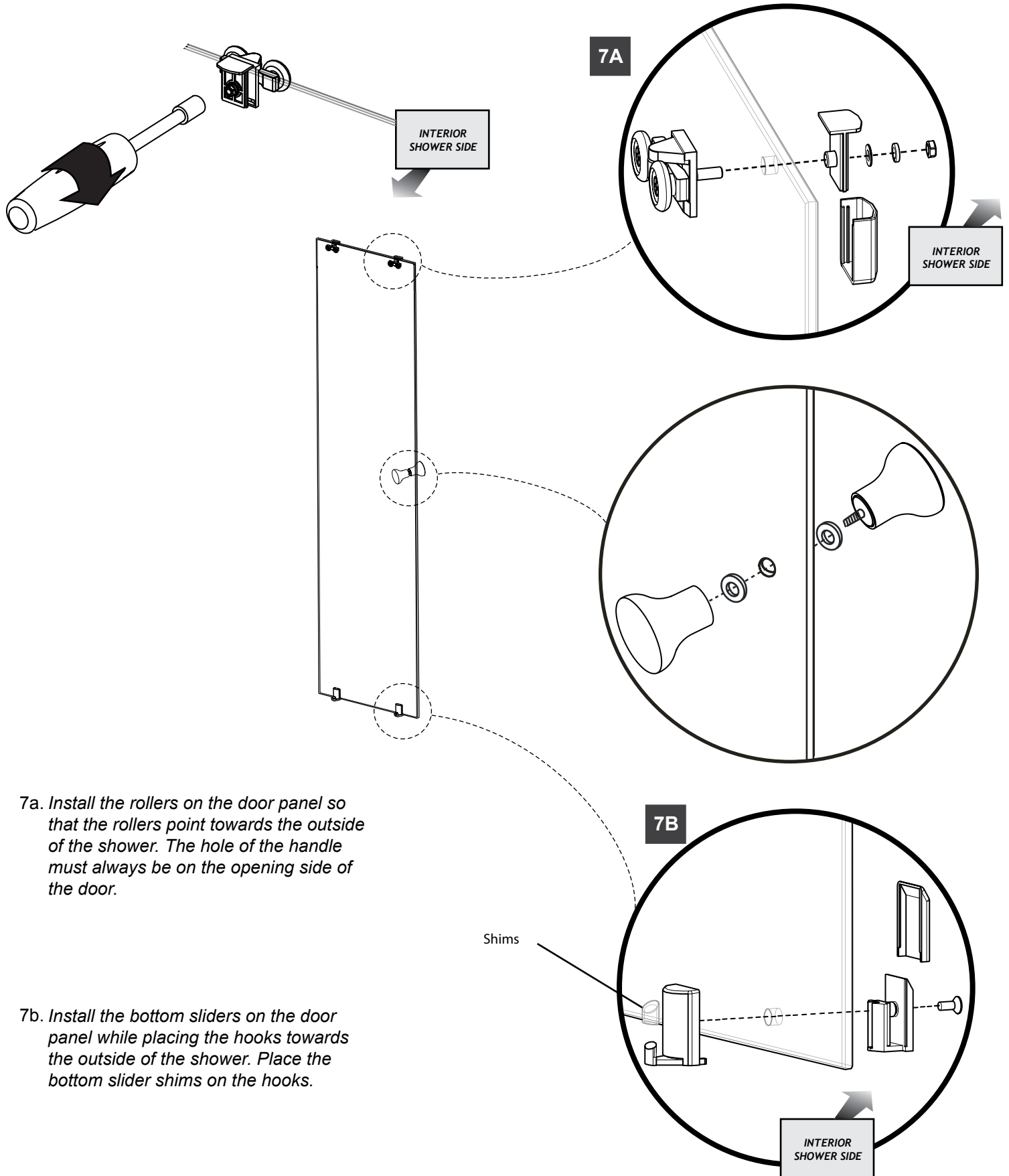
6B. Secure the fixed panels with a 15/32" screw (#17).



6B

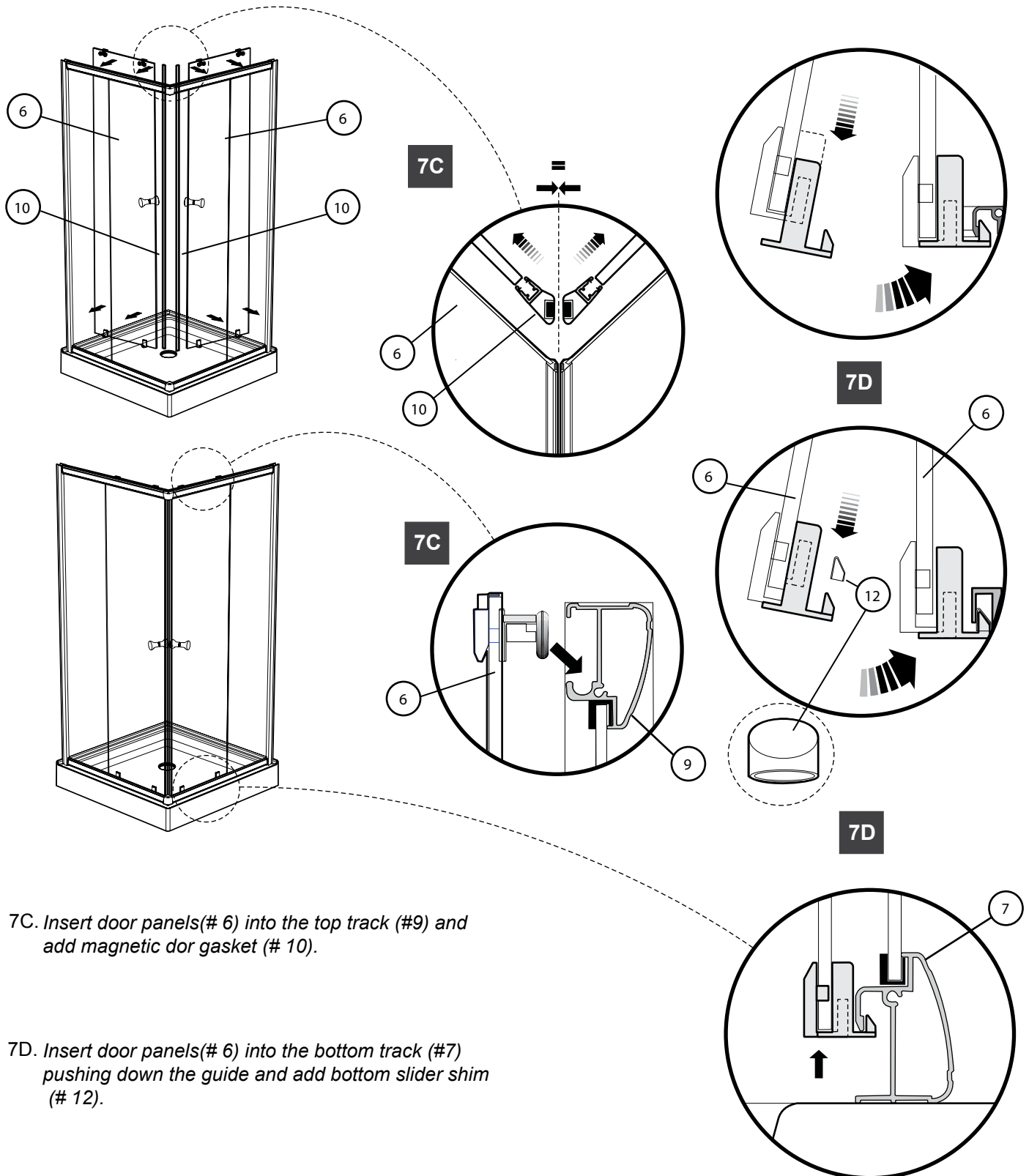


7 DOOR INSTALLATION

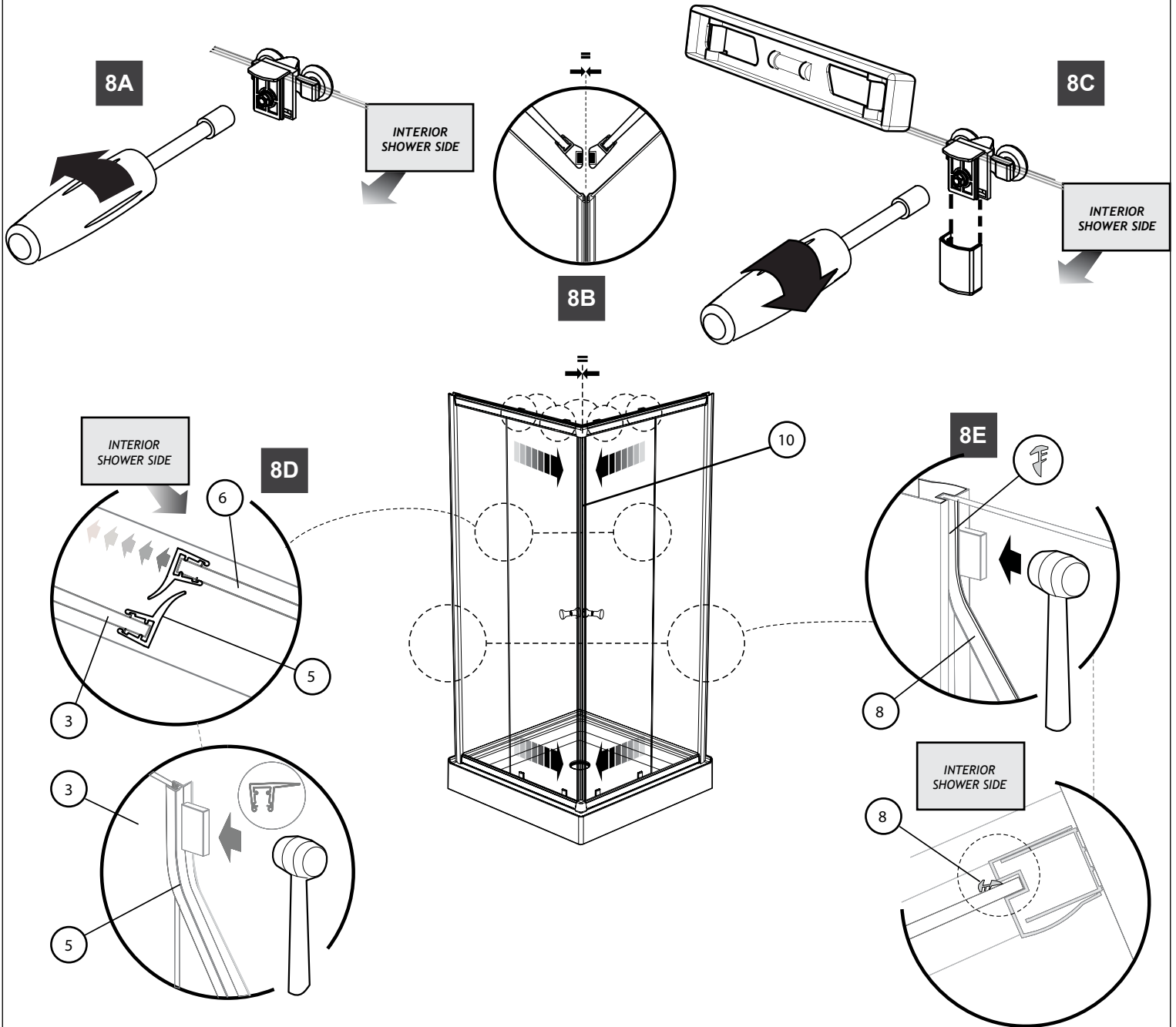


7a. Install the rollers on the door panel so that the rollers point towards the outside of the shower. The hole of the handle must always be on the opening side of the door.

7b. Install the bottom sliders on the door panel while placing the hooks towards the outside of the shower. Place the bottom slider shims on the hooks.



8 VERTICAL ADJUSTMENT.



8A. Loosen the nut with a hex nut driver 5/16"

8B. Vertical adjustment(verify if the magnetic gasket meet-properly).

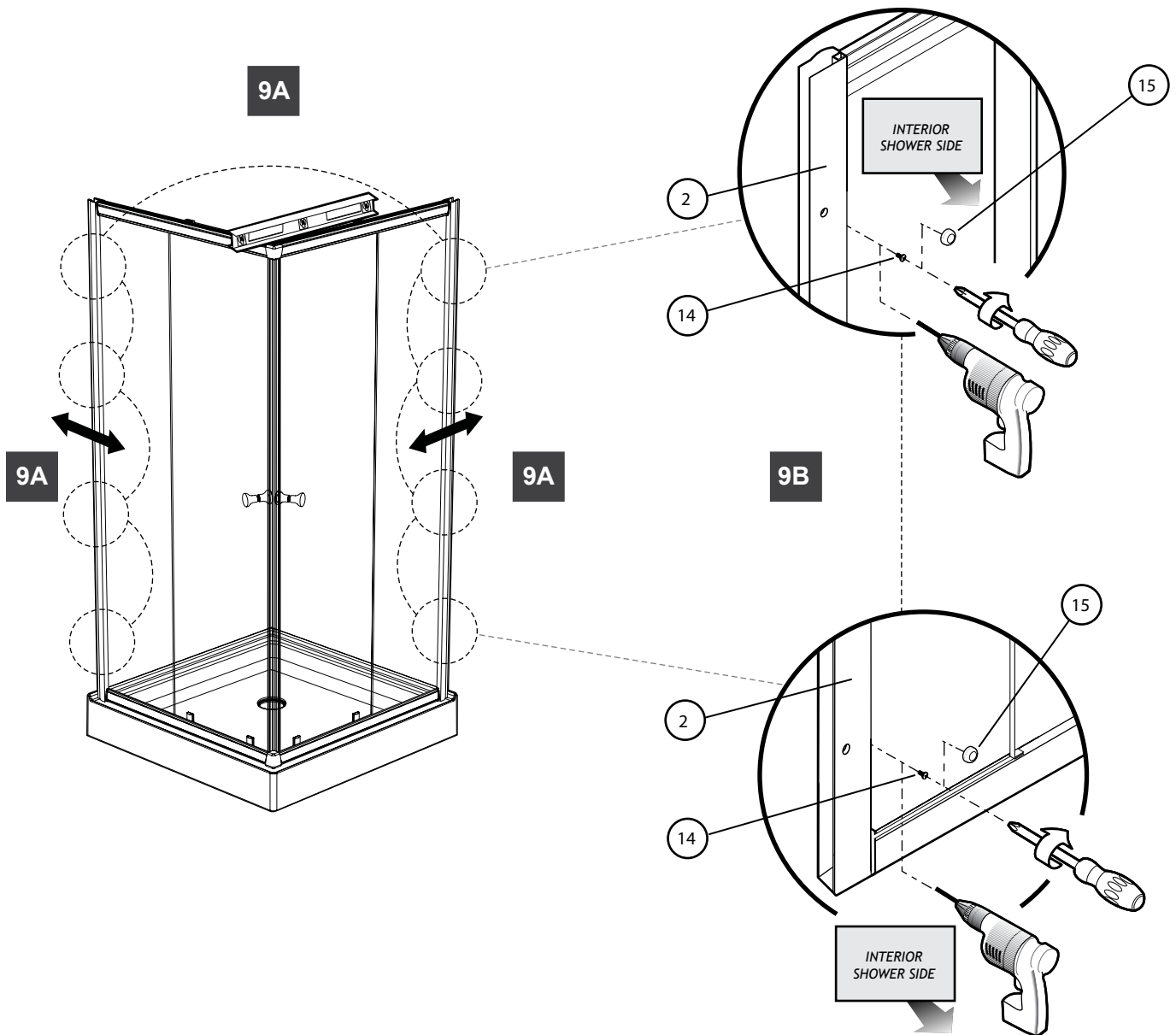
8C. Tighten the nut. Close the cover.

8D. Insert side panels gasket (# 5) onto fixed panel & door panels.

8E. Insert side gasket wall jamb side (#8) using a mallet and a small wood block.

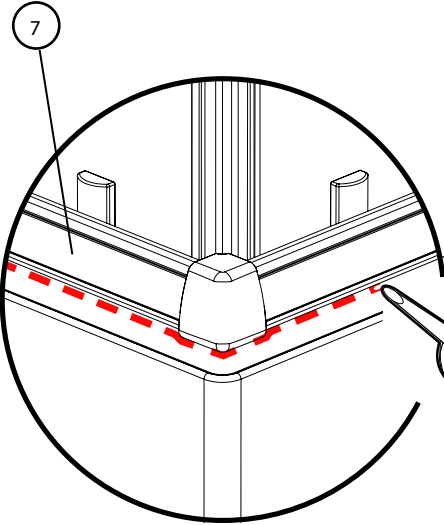
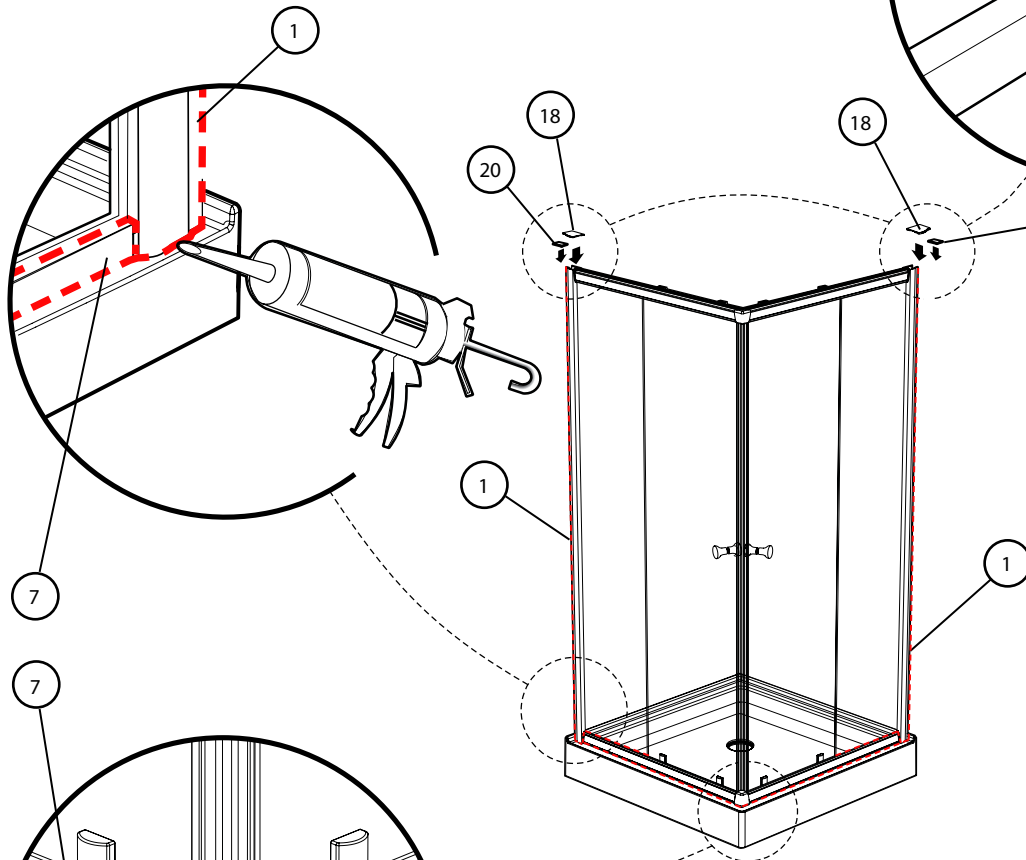
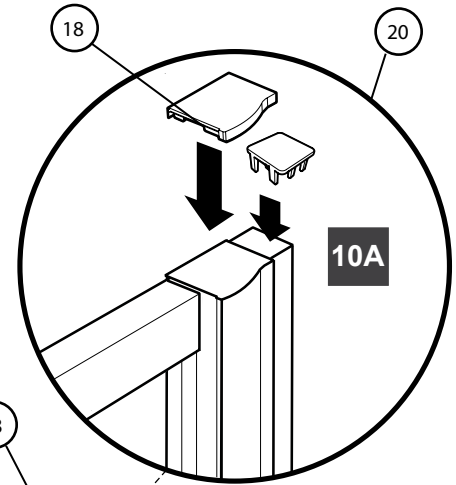
9A. Level and adjust unit.

9B. Fasten frame with screw 3/8" (#14) and add screw cap (#15).



10 FINISHING TOUCHES.

10A. Insert expander caps (#18).



24 HOURS

10B. Silicone exterior the bottom track (#7) and along the wall jamba (#1).