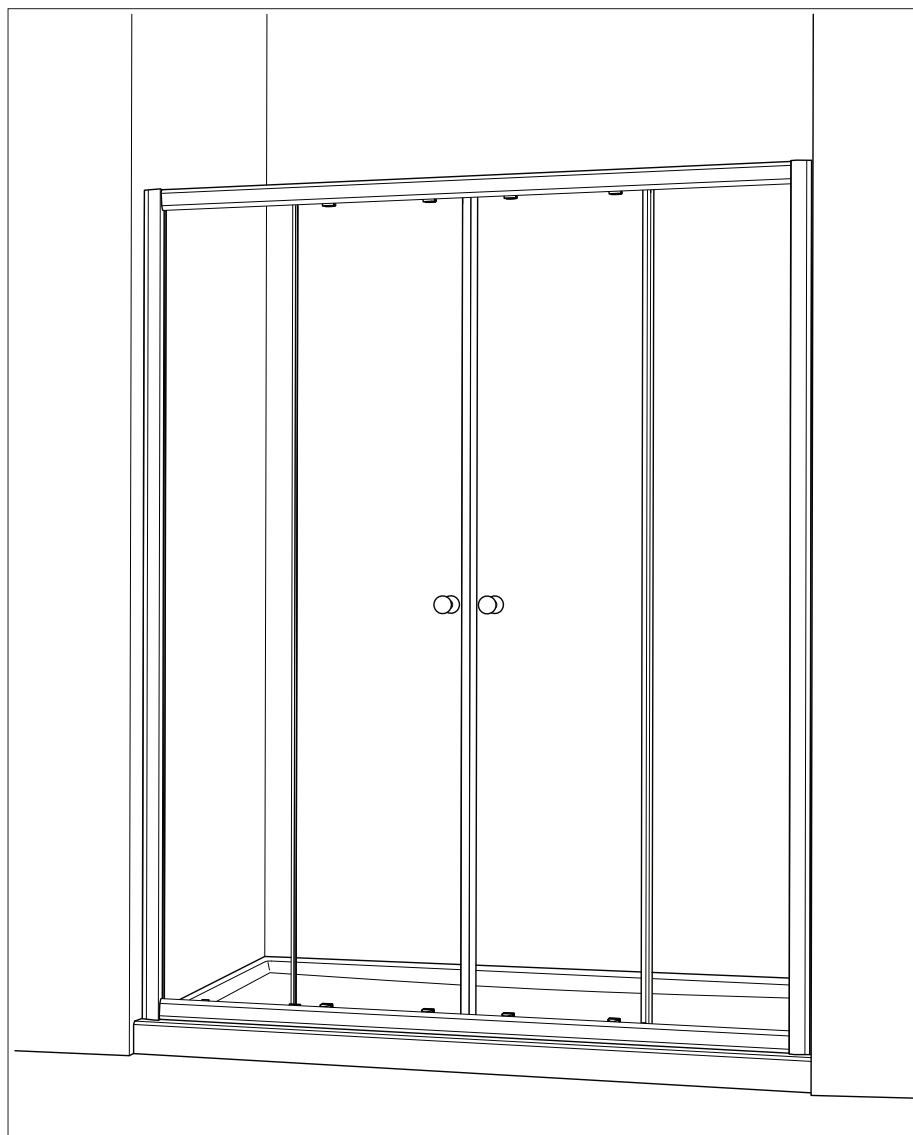


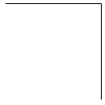
K-KS914Z - Kona
INSTRUCTION MANUAL

ALUMAX
Kula Collection

FRAMELESS SLIDING SHOWER ENCLOSURE



07.10



Please keep this manual and product code number for future reference and replacement parts ordering if necessary.

READ CAREFULLY AND COMPLETELY BEFORE PROCEEDING

IT IS RECOMMENDED THAT YOU WEAR SAFETY GLASSES AT ALL TIMES DURING INSTALLATION

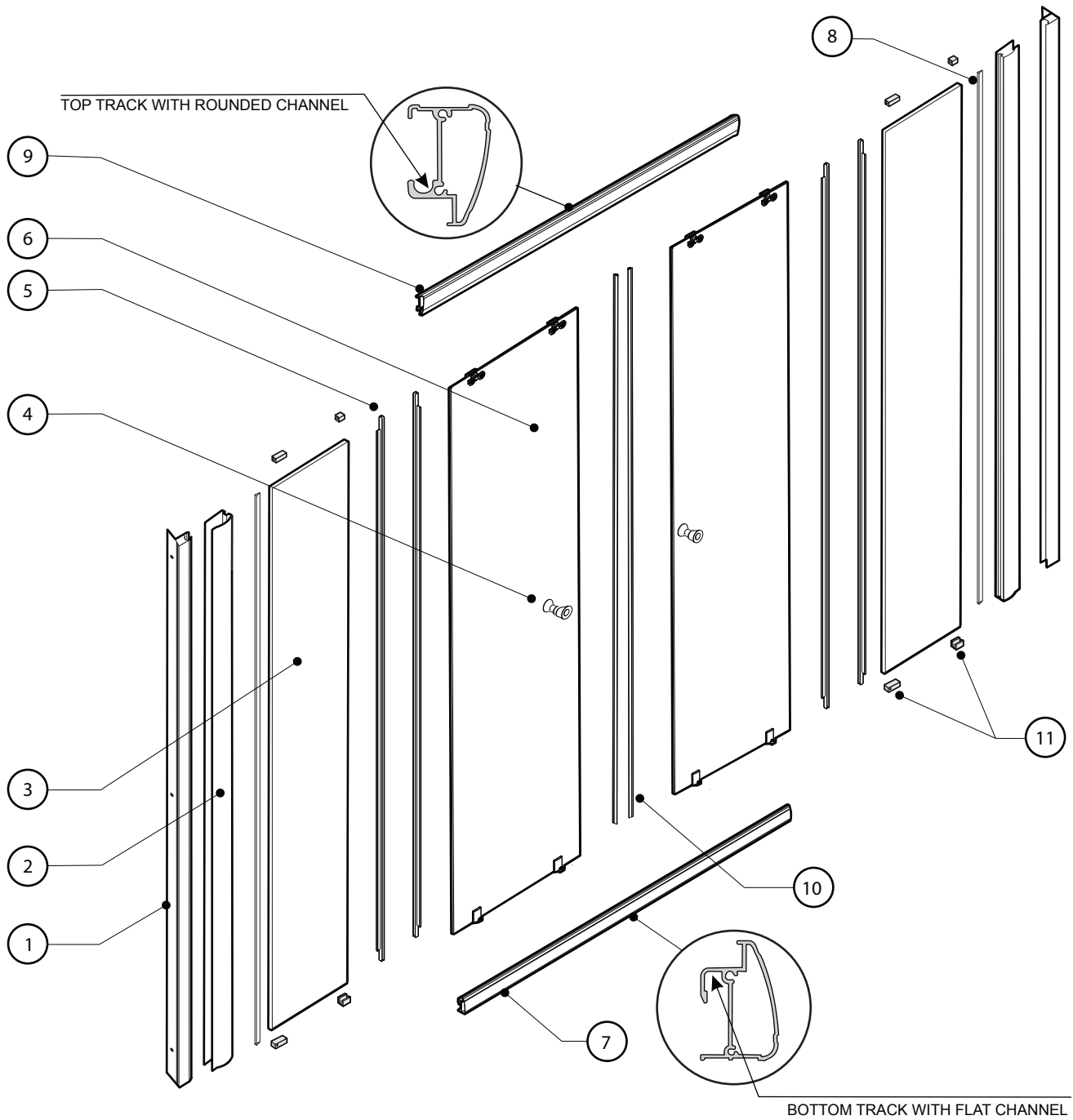
INSTALLATION OVER CERAMIC TILE

If your shower door is to be installed over ceramic tile, tile should extend completely under both wall jambs. Silicone should be used to seal the line where ceramic tile meets the base.

HOW TO CARE FOR YOUR DOOR

Never use scouring powder pads or sharp instruments on metal work or glass panels. An occasional wiping down with a mild detergent diluted in water is all that is needed to keep the panels and aluminum parts looking new.

Product specifications are subject to change without notice.



1 WALL JAMB (2)

2 EXPANDER (2)

3 FIXED PANEL (2)

4 SET OF HANDLES (2)

5 SIDE GASKET (4)

6 DOOR PANEL ASSEMBLY (2)

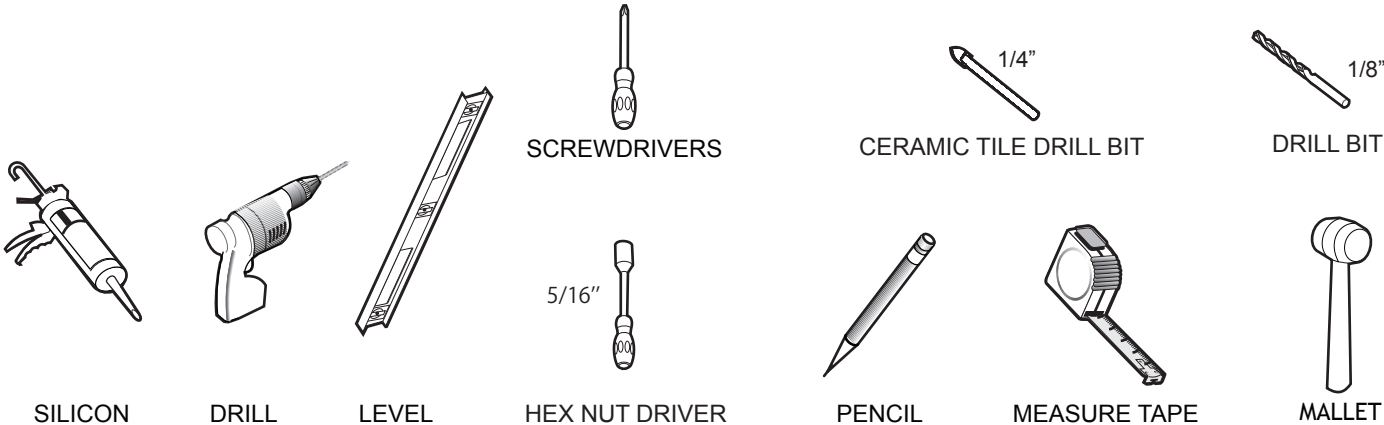
7 BOTTOM TRACK (1)

8 SIDE GASKET WALL JAMB SIDE (2)

9 TOP TRACK (1)

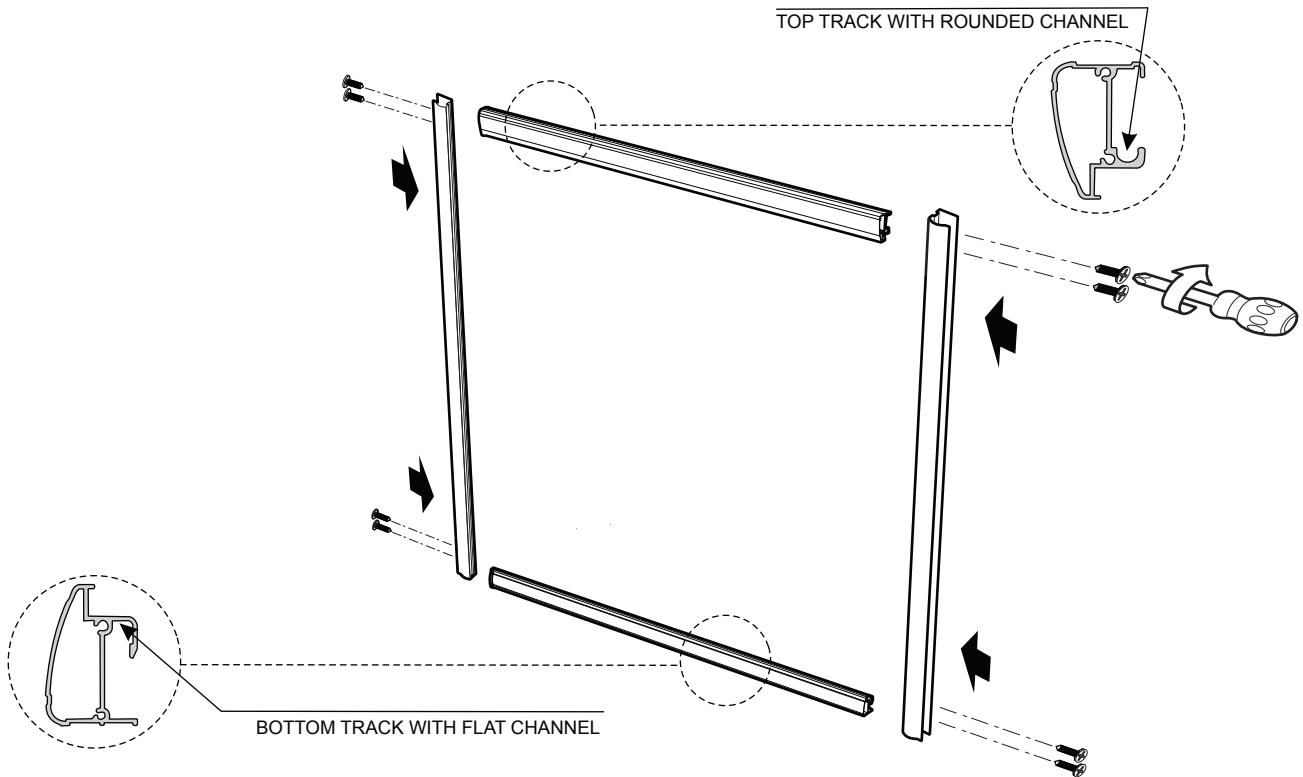
10 MAGNETIC DOOR GASKET (2)

11 GLASS SUPPORT (8)

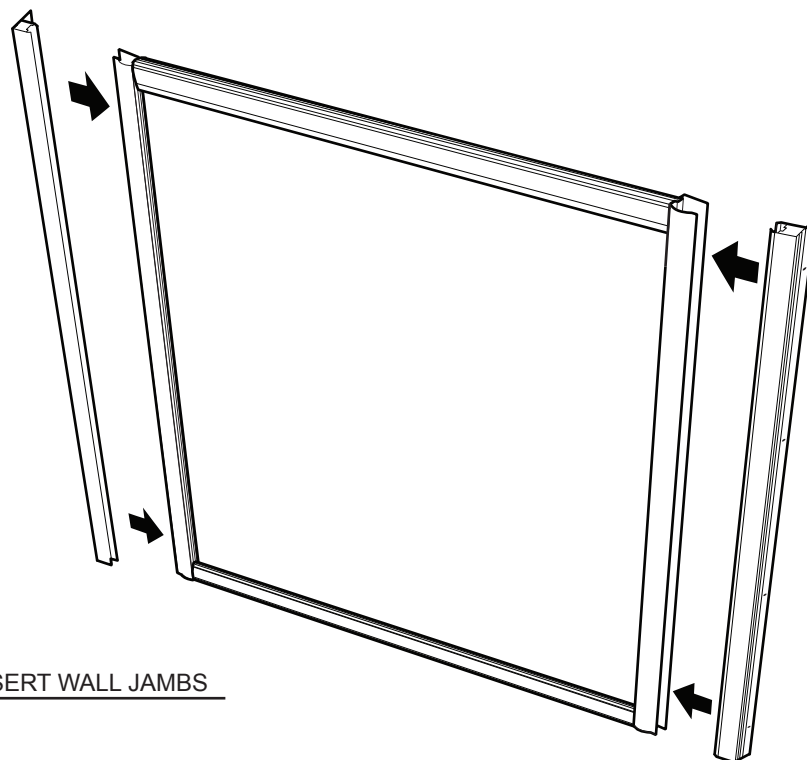


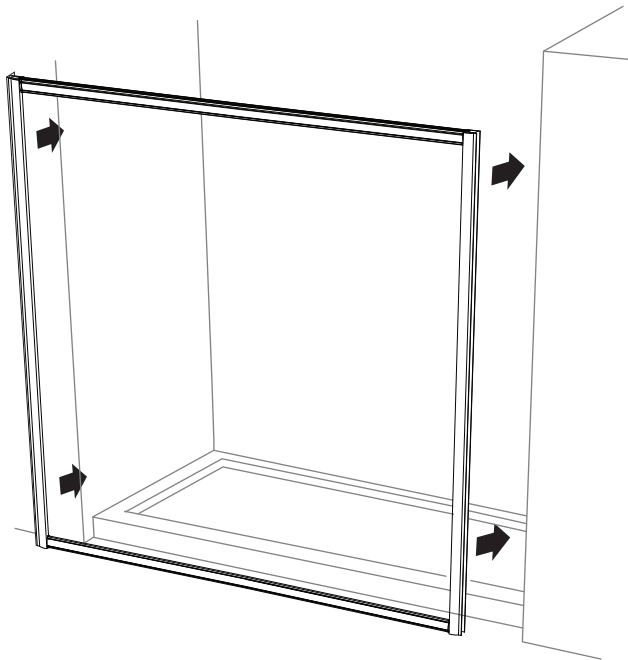
PACKAGING CHECK LIST & HARDWARE

<p>4</p> <p>SET OF HANDLES (2)</p>	<p>5</p> <p>SIDE GASKET (4)</p>	<p>8</p> <p>(FOR "PARIS POINT" GLASS ONLY)</p> <p>SIDE GASKET (2)</p>	<p>10</p> <p>MAGNETIC DOOR GASKET (2)</p>
<p>11</p> <p>GLASS SUPPORT (8)</p>	<p>12</p> <p>BOTTOM SLIDER SHIM (4)</p>	<p>13</p> <p>WALL PLUG (8)</p>	<p>14</p> <p>(M4 X 8)</p> <p>SCREW 3/8" LG (8)</p>
<p>15</p> <p>SCREW CAP (8)</p>	<p>16</p> <p>(M4 X 35)</p> <p>SCREW 1 3/8" LG (14)</p>	<p>17</p> <p>(M4 X 8)</p> <p>SCREW 15/32" LG (8)</p>	<p>18</p> <p>EXPANDER CAP (2)</p>



Step
1 EXPENDER (2) + TRACK (2) + SCREW 1 3/8" LG (8)

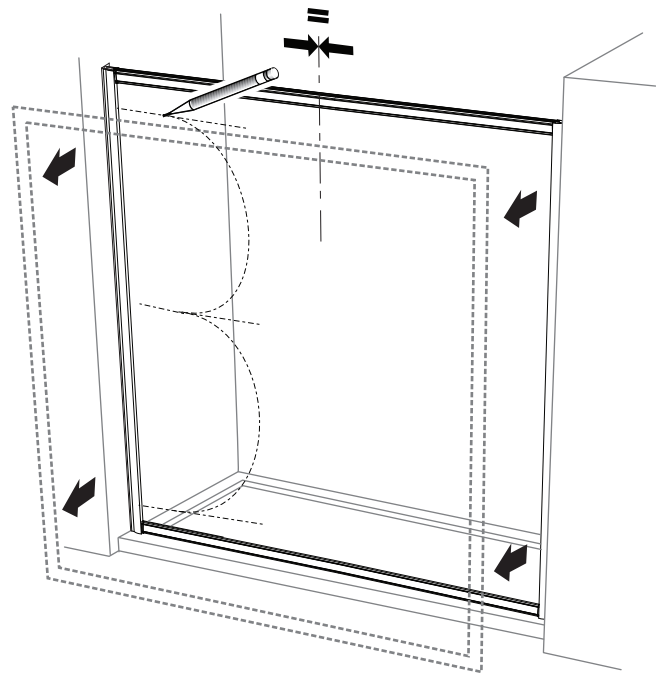




Step

3

POSITION AND CENTER THE FRAME TOGETHER WITH WALLJAMBS ONTO THRESHOLD OF SHOWER BASE.

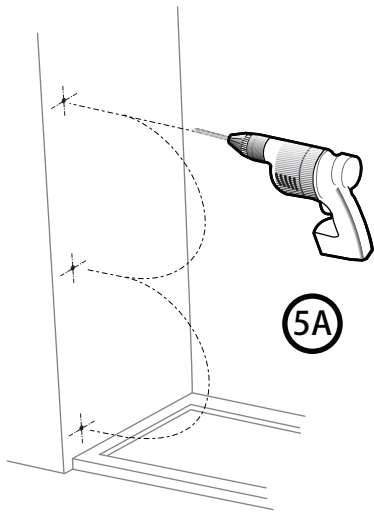


Step

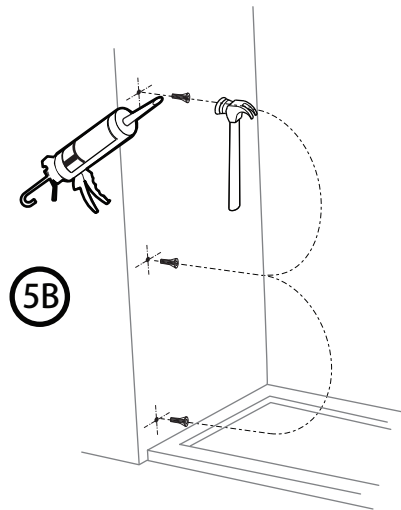
4

- ADJUST AND LEVEL THE FRAME ASSEMBLY.
 - MARK DRILLING LOCATION FOLLOWING PILOT HOLES.
 - REMOVE FRAME ASSEMBLY FROM BASE.

ON BOTH SIDES



5A



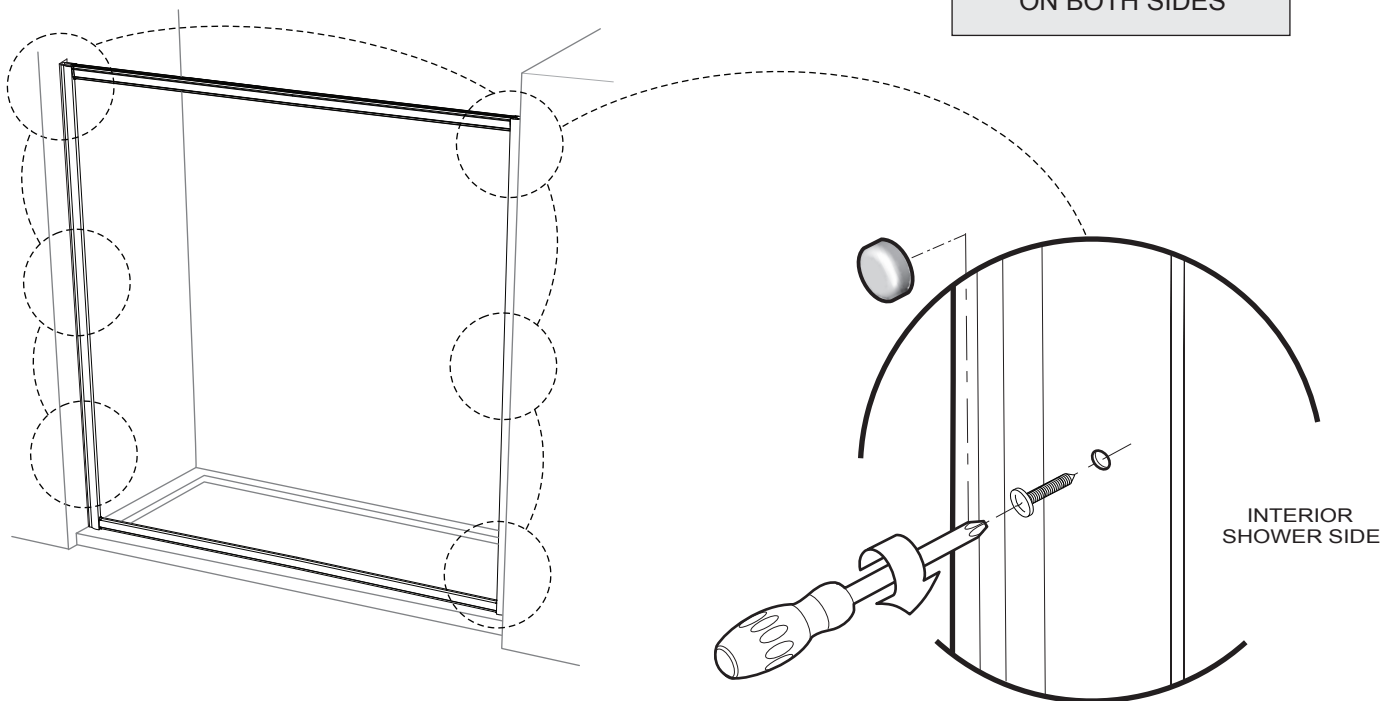
5B

Step

5

- INSERT THE WALL PLUGS (8)
AND PUT IN EACH A DROP OF SILICONE.

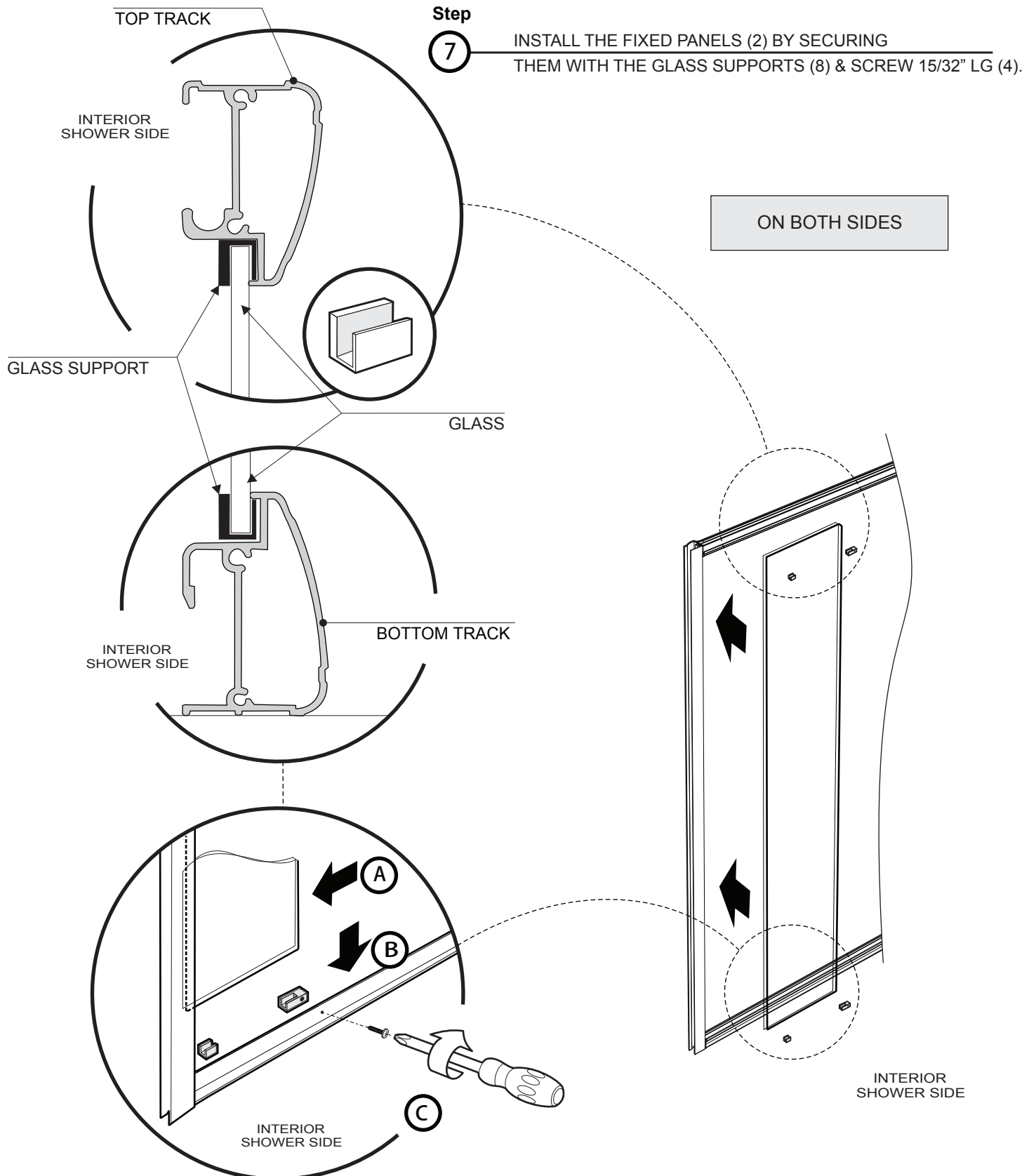
ON BOTH SIDES



Step

6

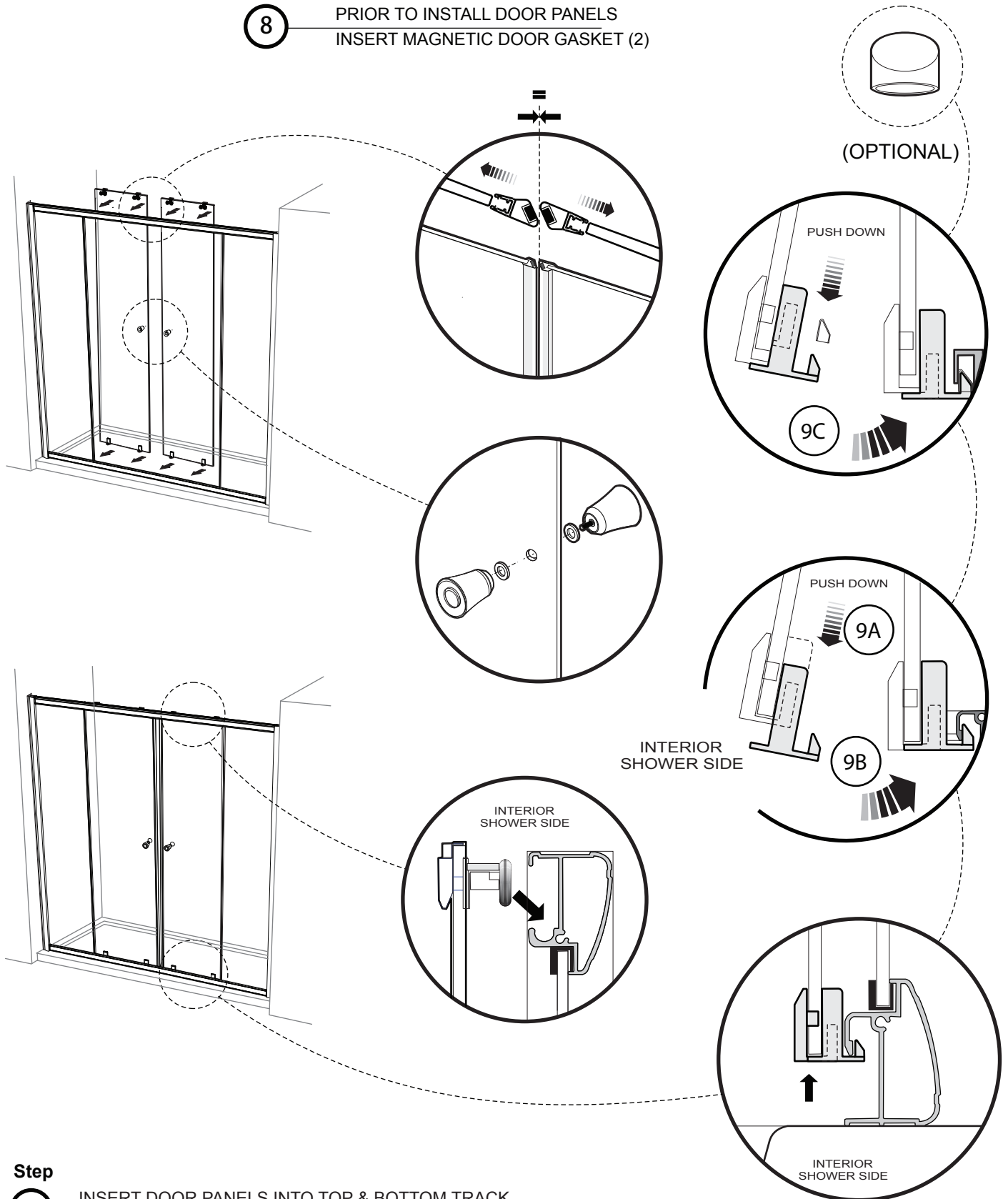
SECURE THE FRAME USING 1 3/8" SCREWS (6)



Step

8

PRIOR TO INSTALL DOOR PANELS
INSERT MAGNETIC DOOR GASKET (2)



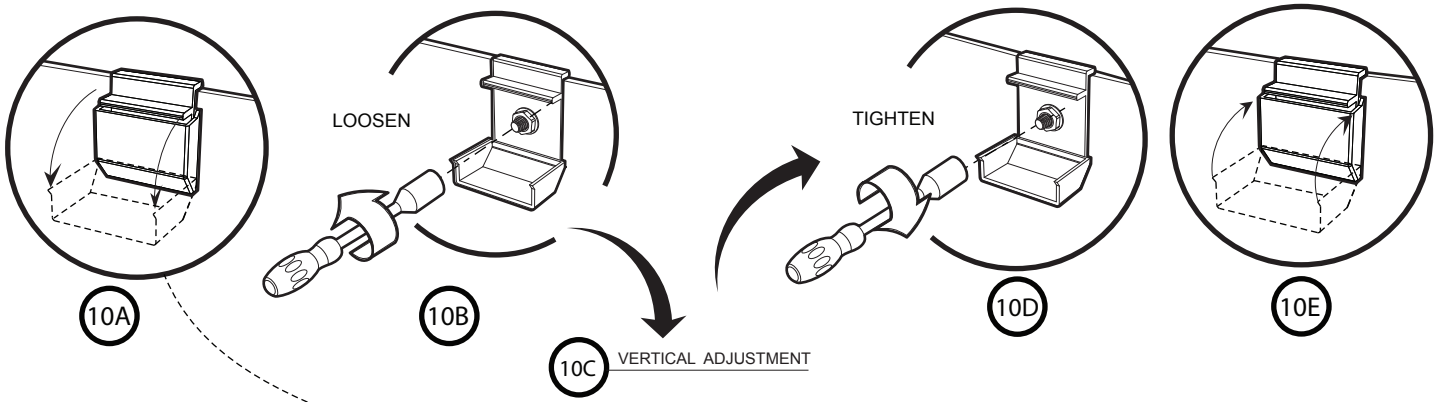
Step

9

INSERT DOOR PANELS INTO TOP & BOTTOM TRACK

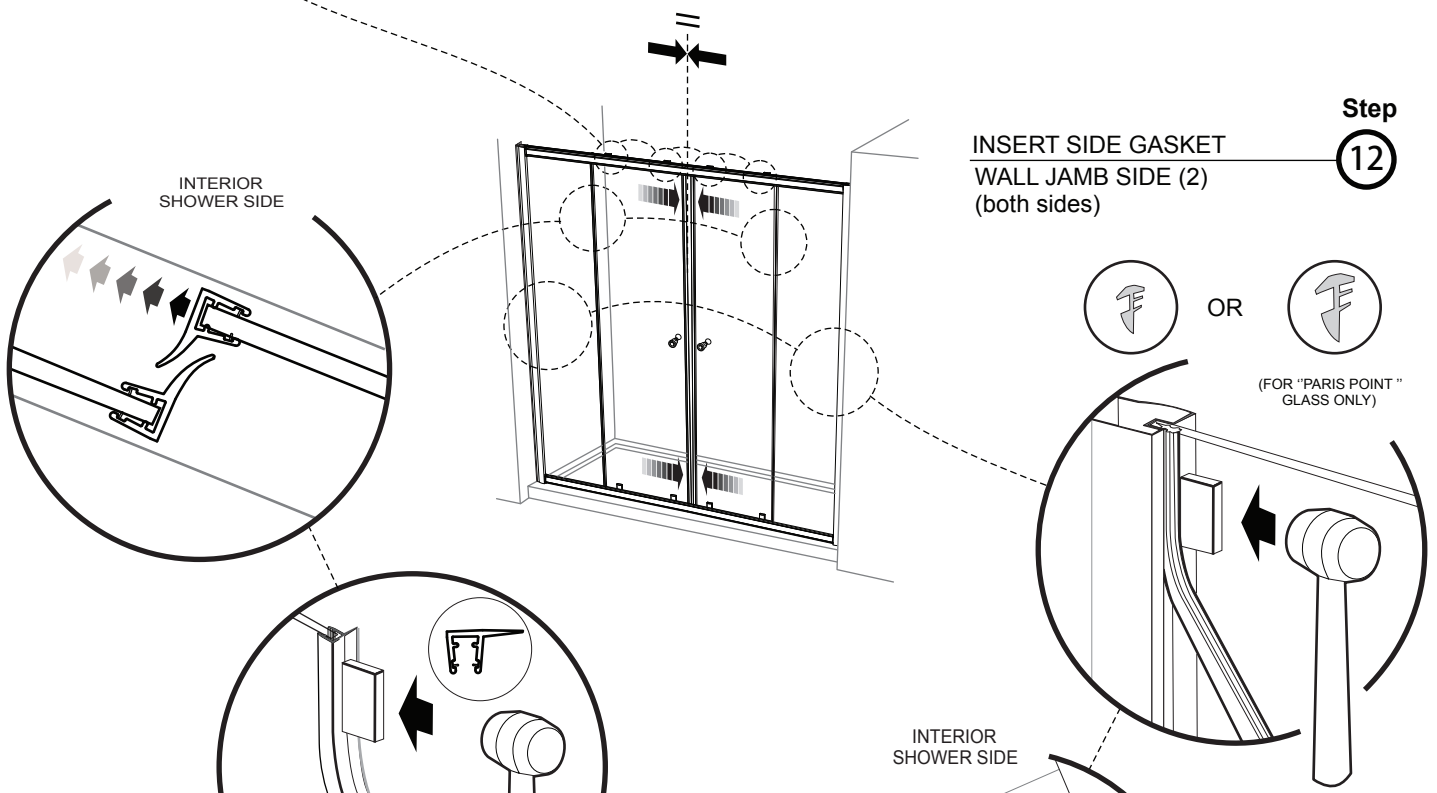
Step

10 USE HEX NUT DRIVER OR PLIERS FOR VERTICAL DOOR ADJUSTMENT



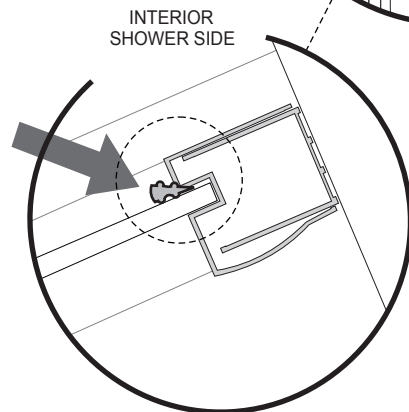
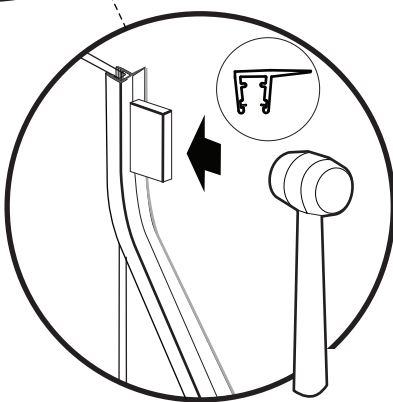
Step

12 INSERT SIDE GASKET WALL JAMB SIDE (2) (both sides)



Step

11 INSTALL SIDE PANEL GASKET ONTO FIXED PANELS & DOOR PANELS (4)

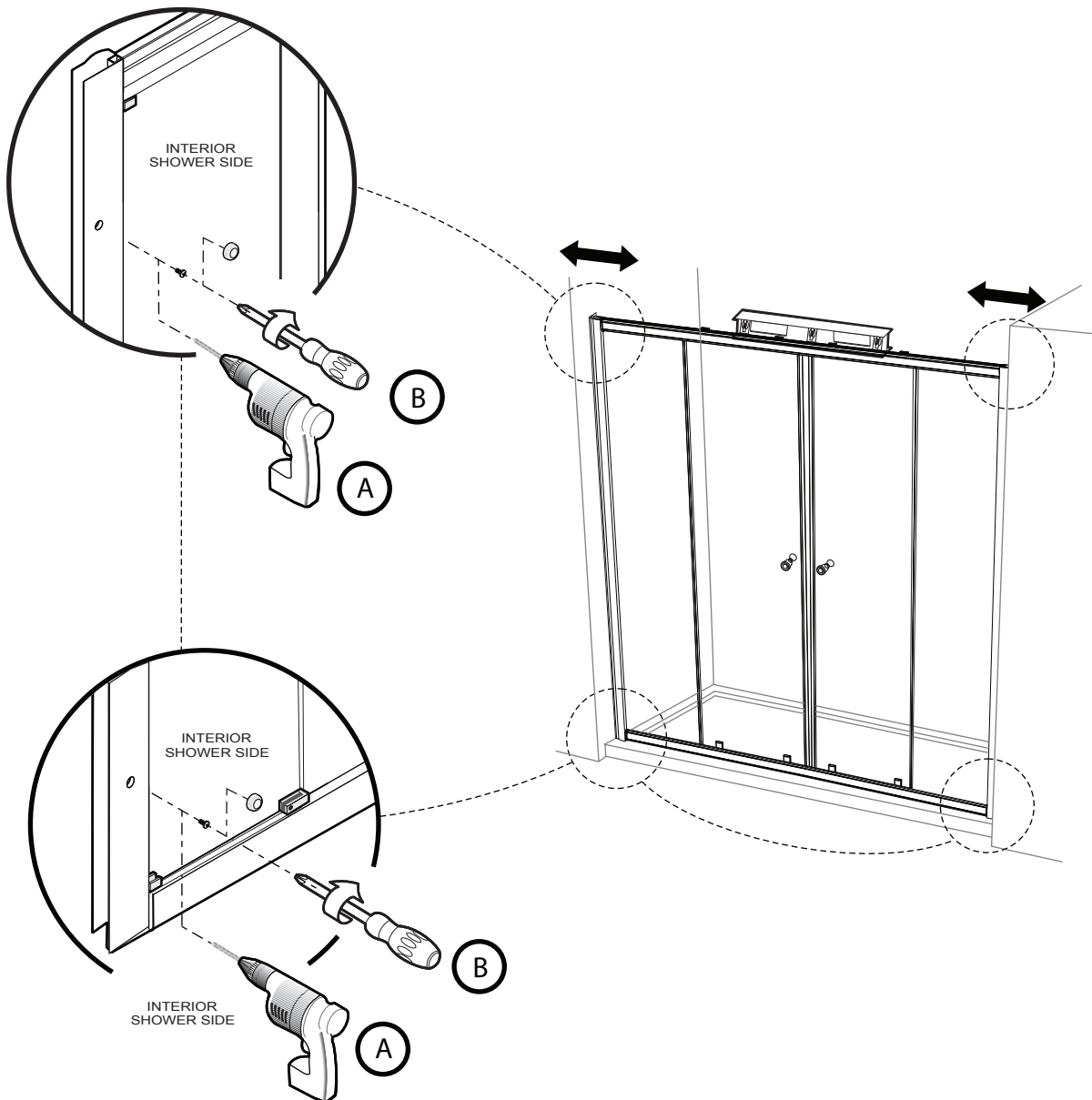


Step

13

- LEVEL AND ADJUST FRAME

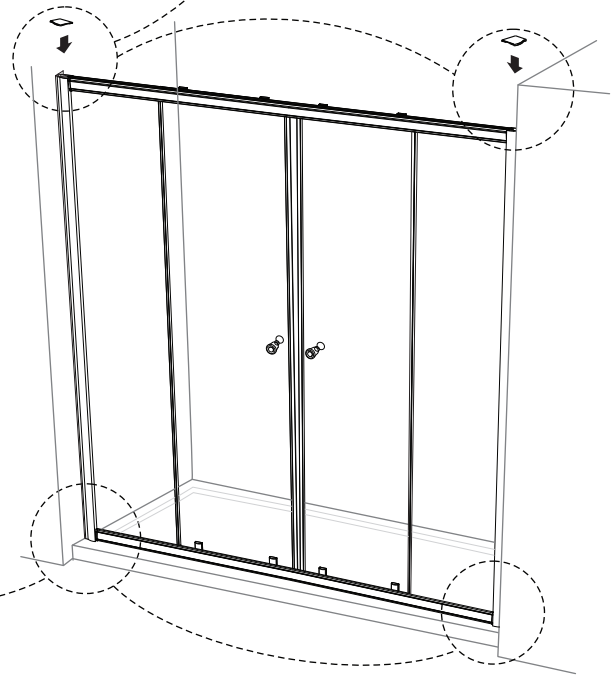
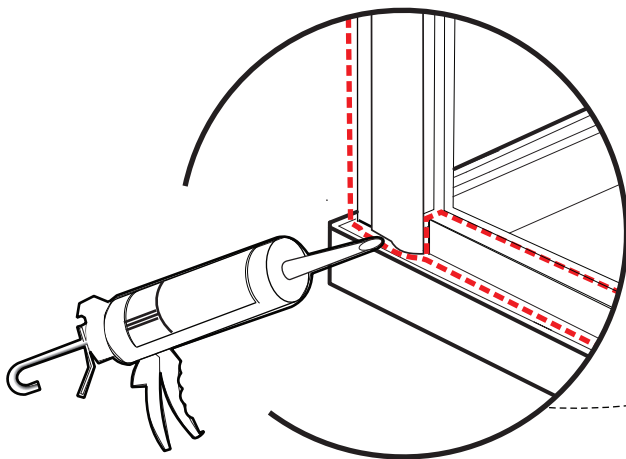
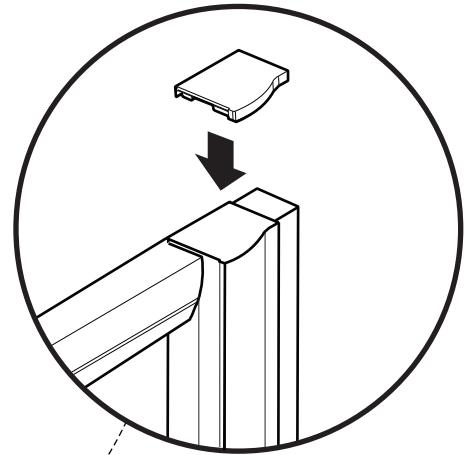
- FASTEN FRAME WITH SCREW 3/8" LG (8) + SCREW CAP (8)



Step
14 INSERT EXPANDER CAPS



24 Hours



Step

15 SILICONE EXTERIOR ON BOTH SIDES, ALONG THE WALL JAMBS AND WALLS.
ALSO ALONG THE BOTTOM TRACK AND THE SIDE PANELS.