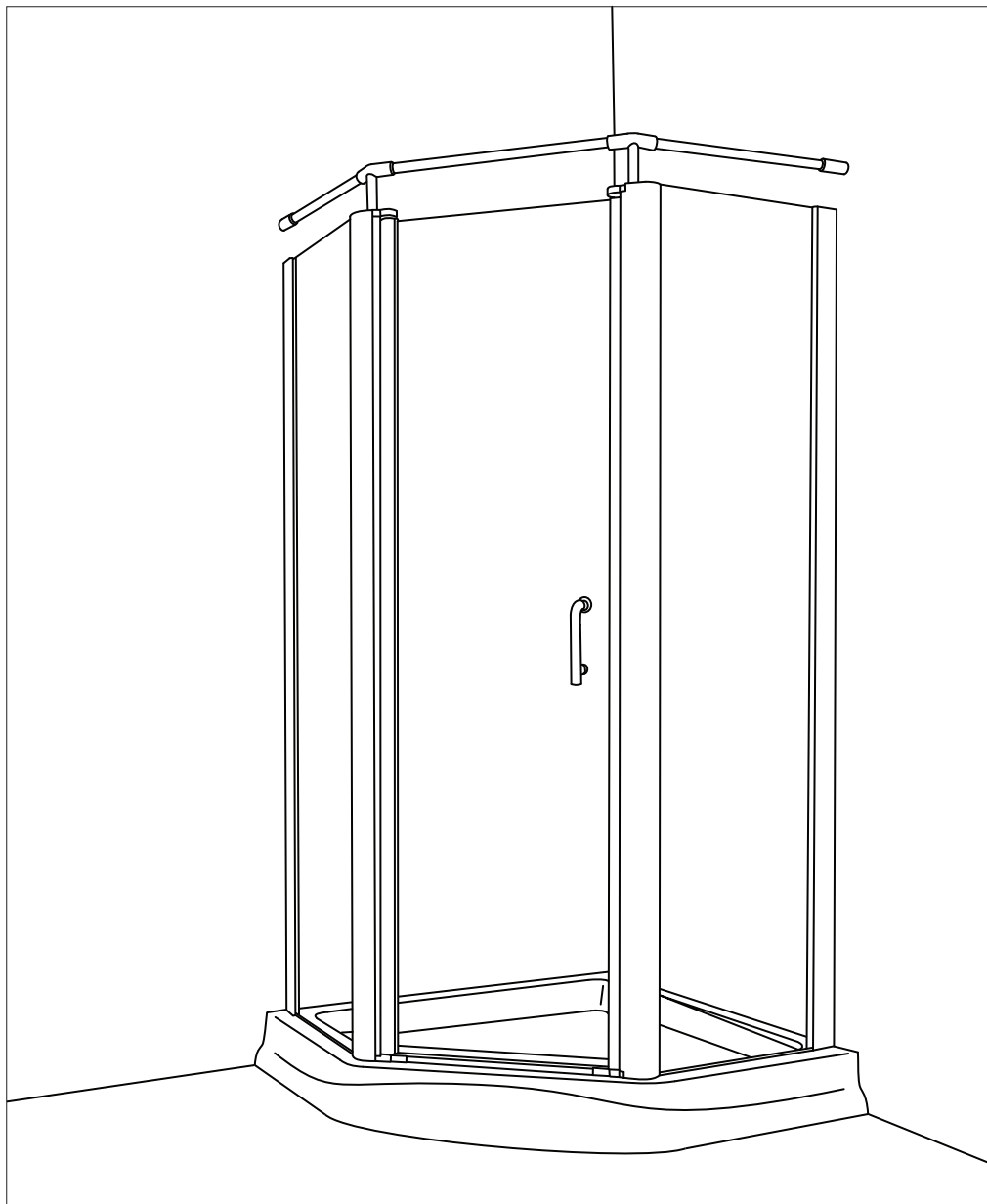


Neo-angle shower doors



READ CAREFULLY AND COMPLETELY BEFORE PROCEEDING

IT IS RECOMMENDED THAT YOU WEAR SAFETY GLASSES AT ALL TIMES DURING INSTALLATION

INSTALLATION OVER CERAMIC TILE

If your shower door is to be installed over ceramic tile, tile should extend completely under both wall jambs. Silicone should be used to seal the line where ceramic tile meets the base.

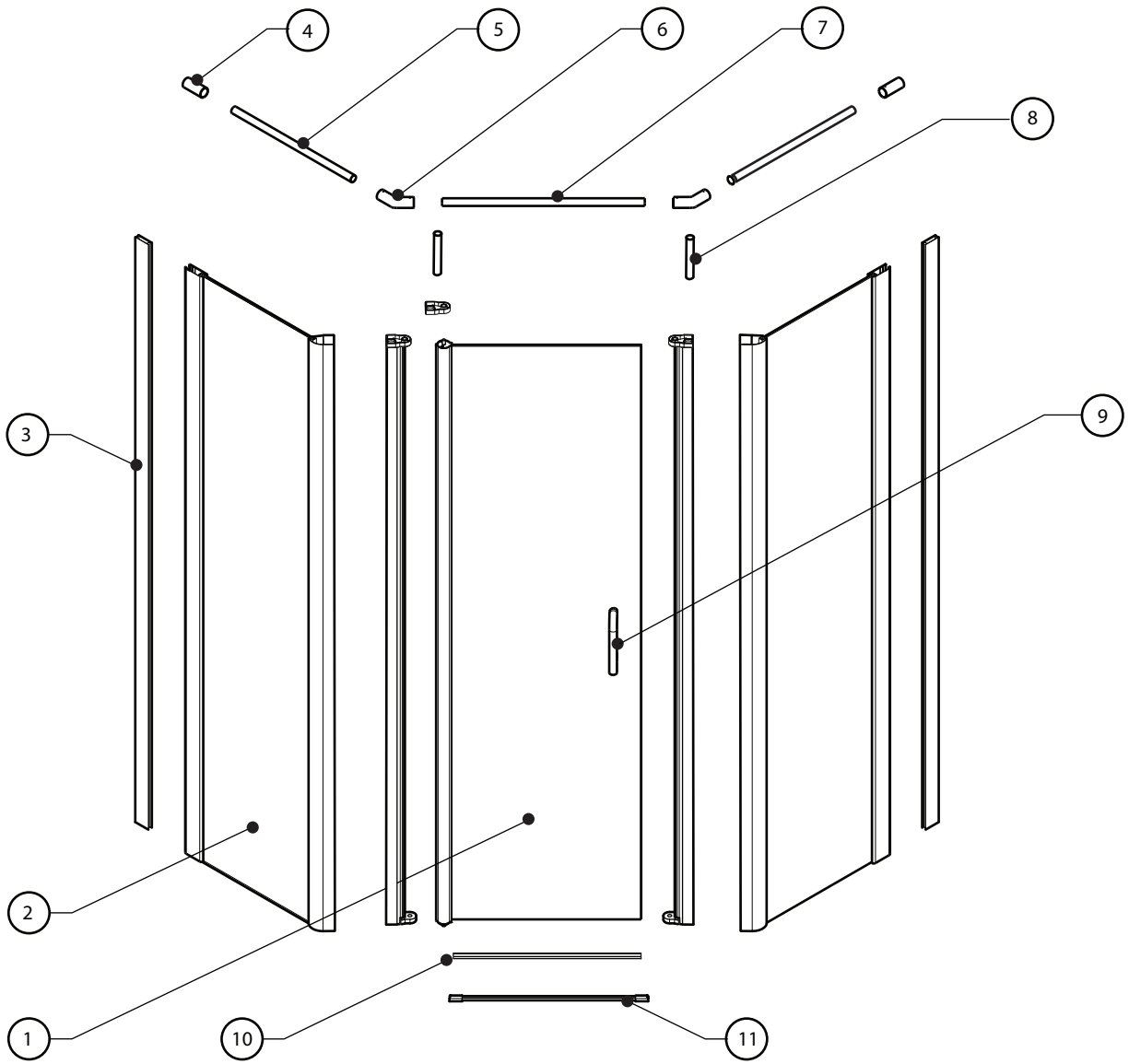
HOW TO CARE FOR YOUR DOOR

Never use scouring powder pads or sharp instruments on metal work or glass panels. An occasional wiping down with a mild detergent diluted in water is all that is needed to keep the panels and aluminum parts looking new.

Product specifications are subject to change without notice.



Please keep this manual and product code number for future reference and replacement parts ordering if necessary.



1 DOOR PANEL (1)

2 FIXED PANEL (2)

3 WALL JAMB (2)

4 WALL BRACKET (2)

5 SIDE SUPPORT BAR (2)

6 135° CONNECTOR (2)

7 CENTER SUPPORT BAR (1)

8 SHORT SUPPORT BAR (2)

9 SET OF HANDLES (1)

10 BOTTOM DOOR GASKET (1)

11 THRESHOLD (1)



X 10

WALL PLUG



X 16

SCREW CAP



X 20

SCREW 3/16" LG



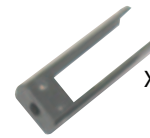
X 4

SCREW 1" LG



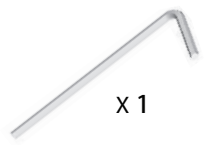
X 10

SCREW 1 3/8" LG



X 8

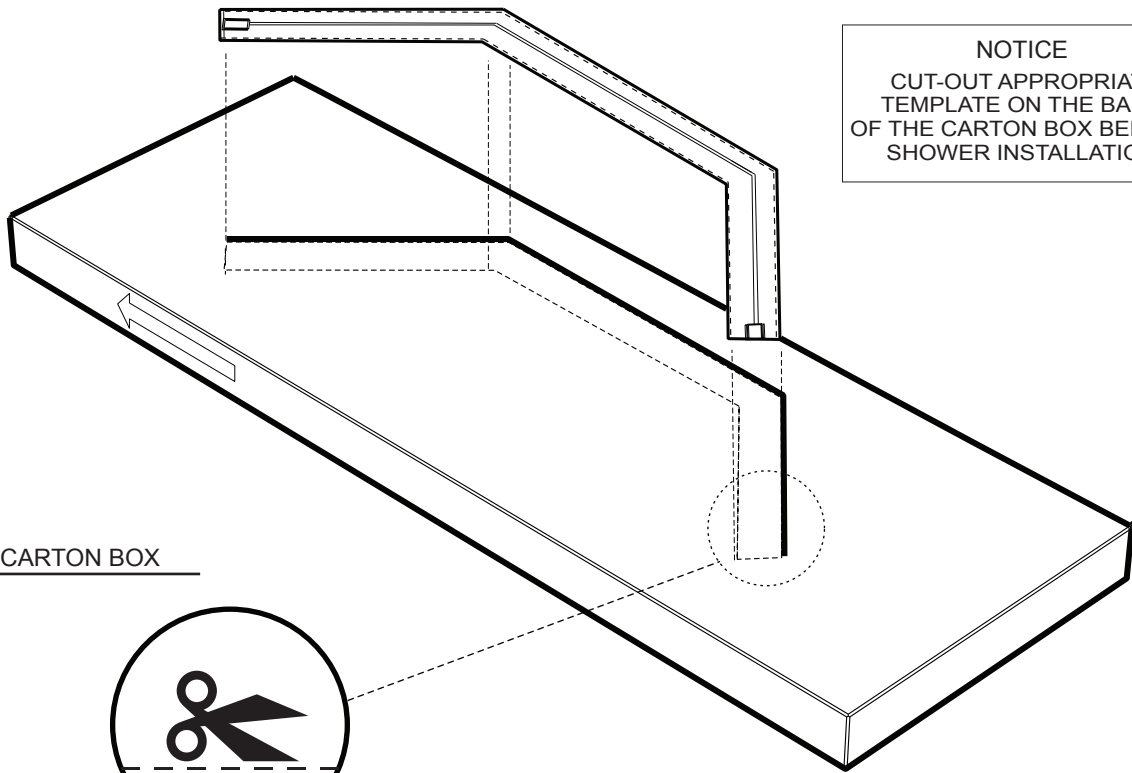
SCREWHOLDER



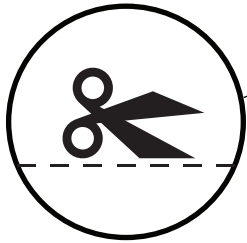
X 1

KEY

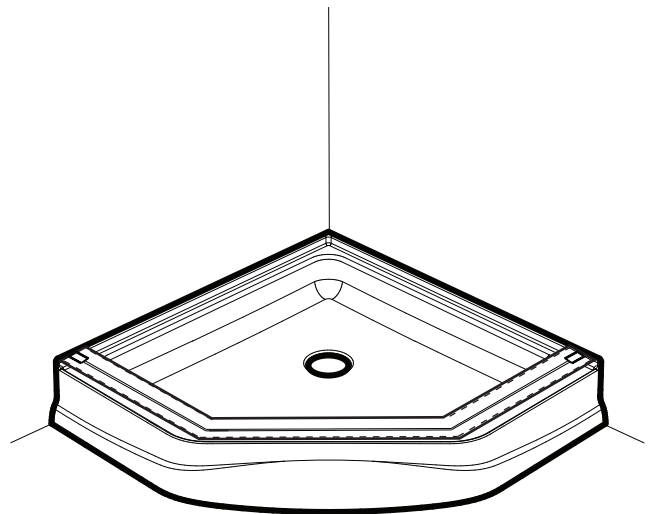
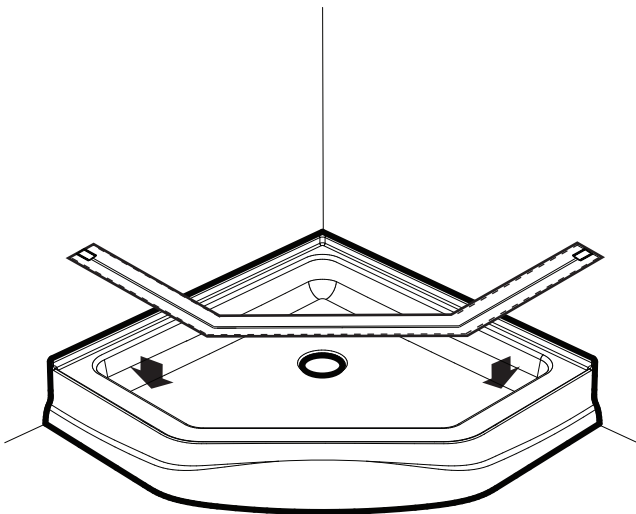
NOTICE
CUT-OUT APPROPRIATE
TEMPLATE ON THE BACK
OF THE CARTON BOX BEFORE
SHOWER INSTALLATION



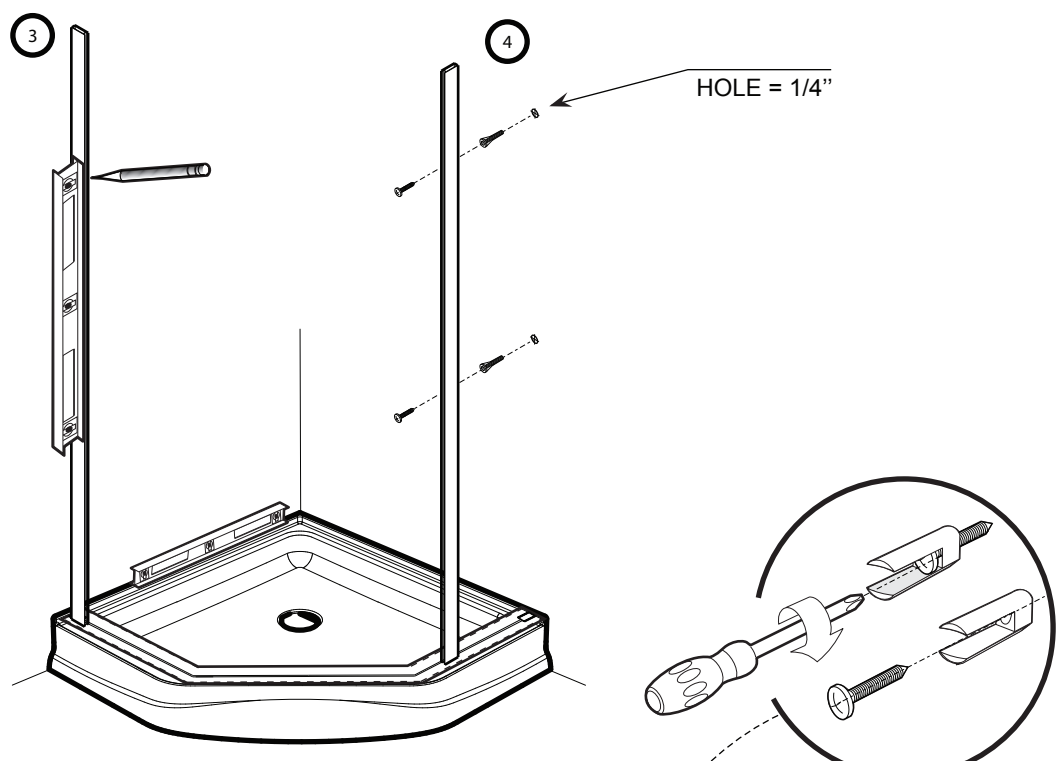
Step
① CARTON BOX



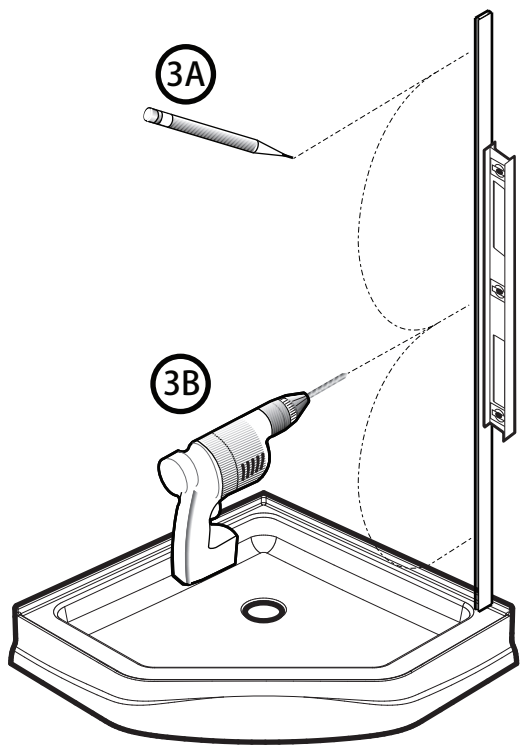
Step
② TEMPLATE



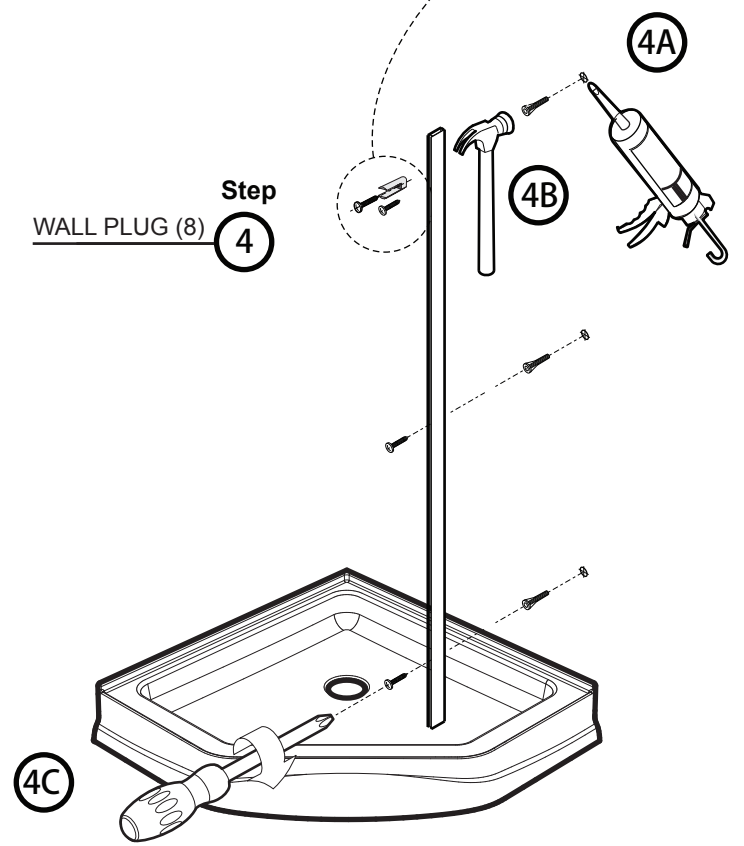
NOTE
USE TEMPLATE TO
LOCATE WALL JAMB
POSITION ON THE BASE



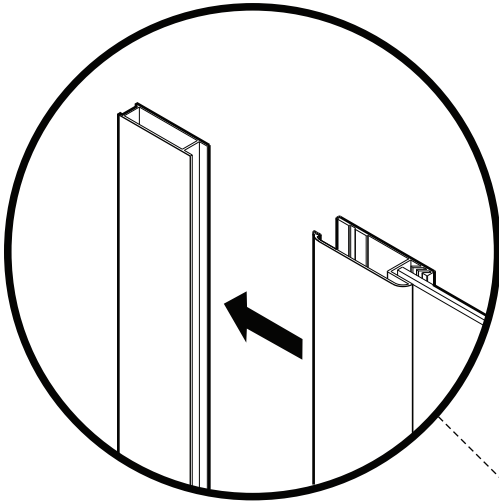
Step
3 WALL JAMB (2)



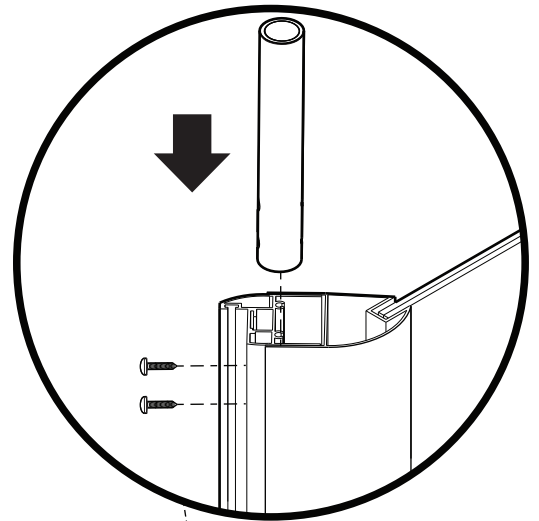
Step
4 WALL PLUG (8)



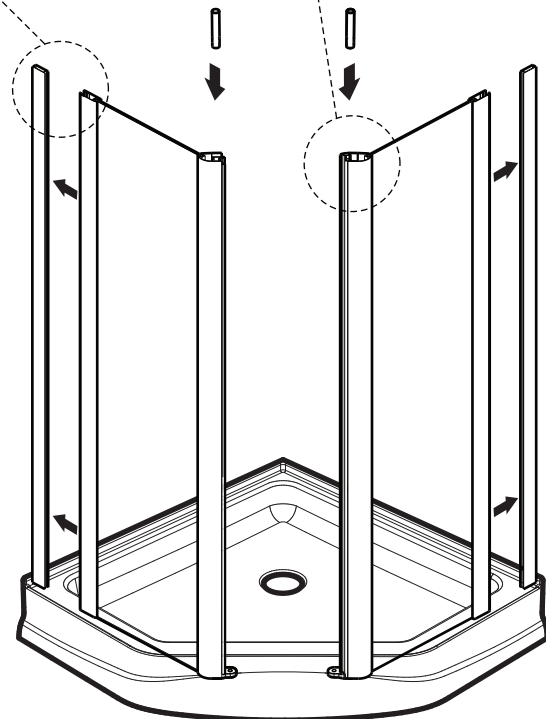
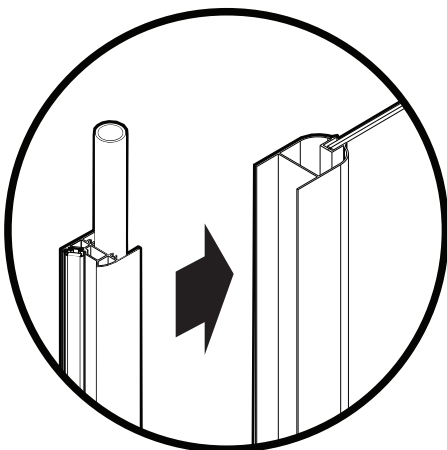
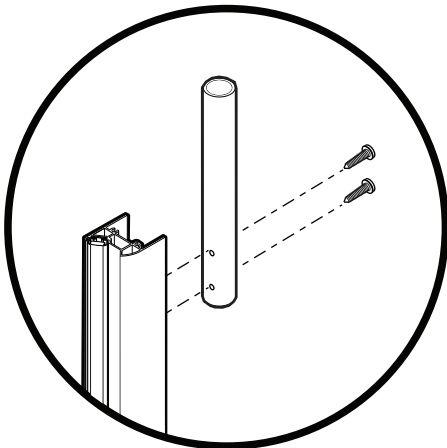
Step
6 FIXED PANEL (2)



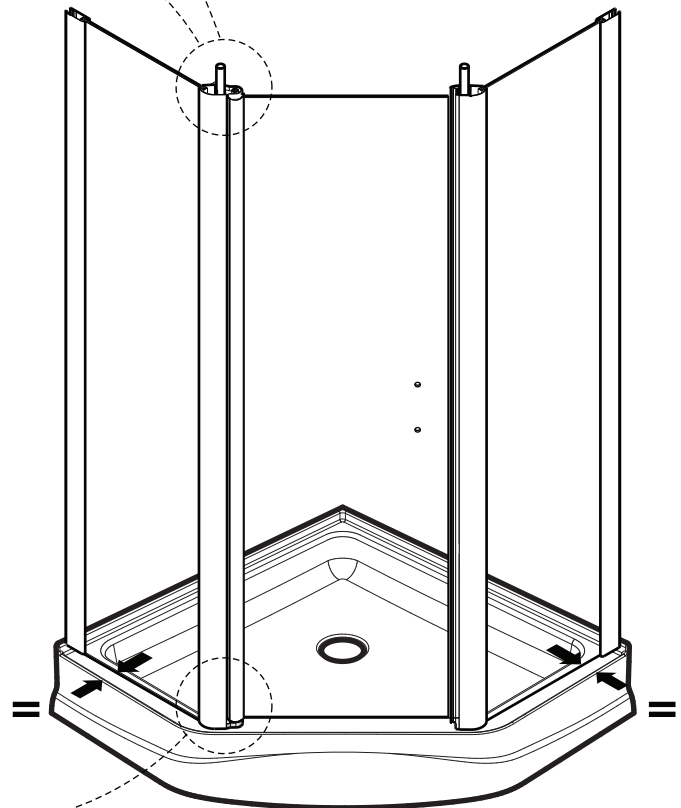
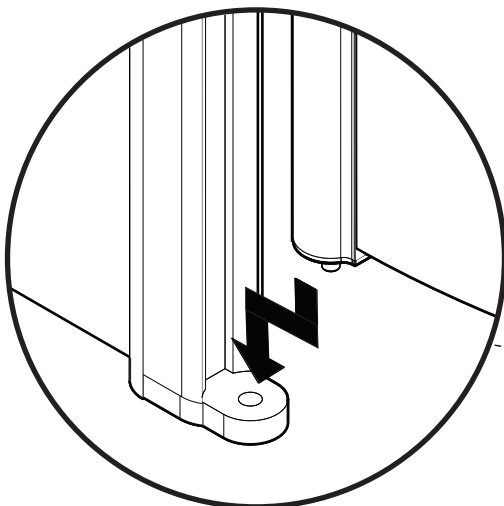
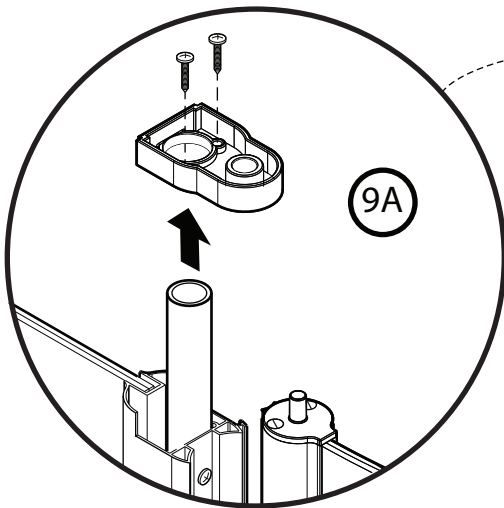
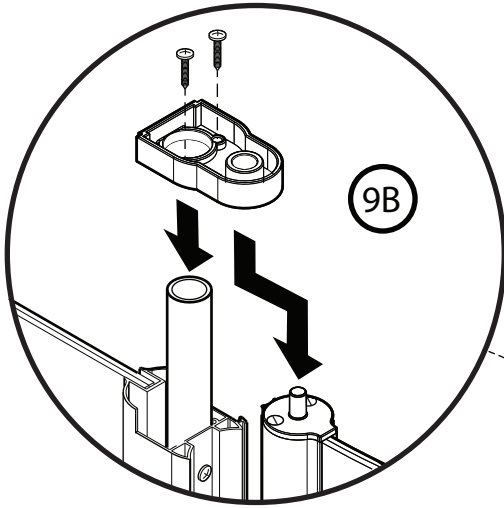
Step
7 SHORT SUPPORT BAR (2) + SCREW 5/16" LG (4)



8 DOOR PANEL SHUTTING BAR (1)

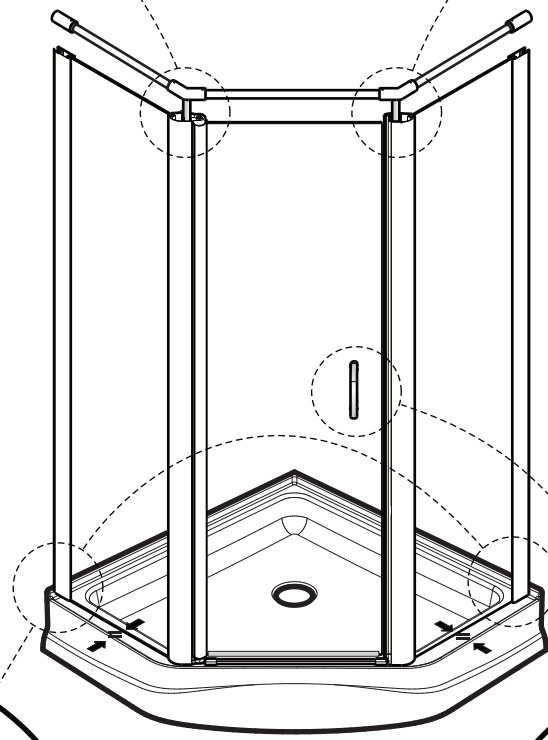
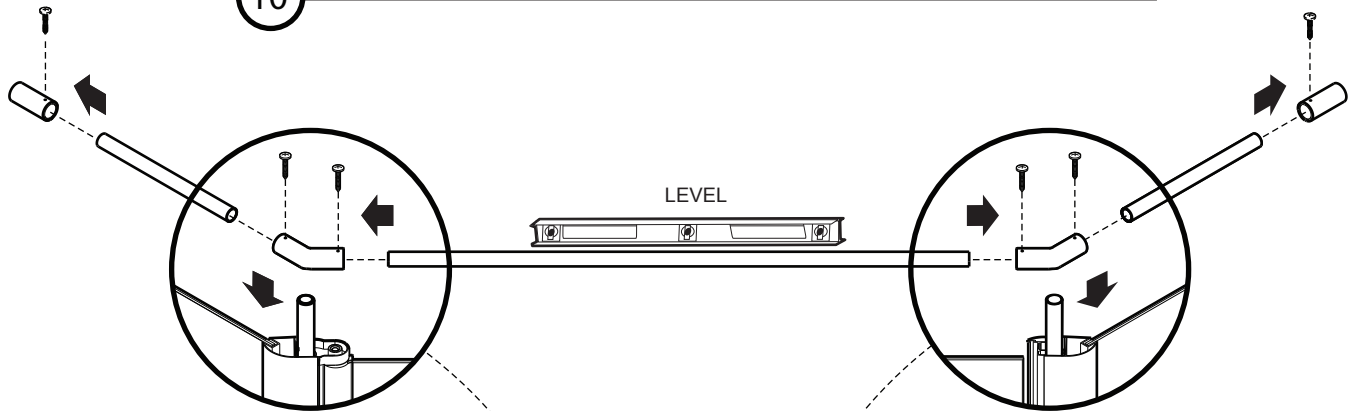


Step
9 FEMALE PIVOT SUPPORT (1) + SCREW 1" LG (2)

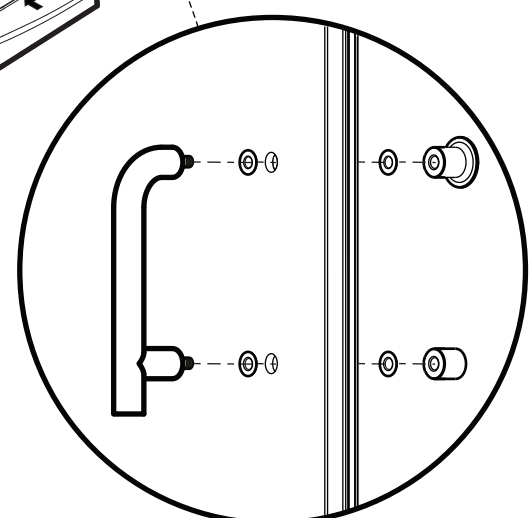
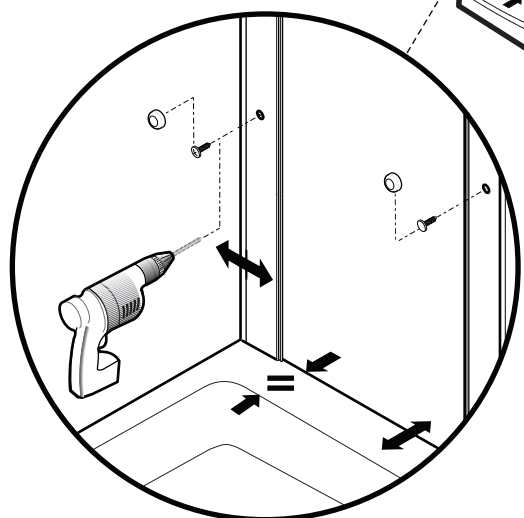


Step
8 DOOR PANEL (2)

Step
10 135° CONNECTOR (2) + CENTER & SIDE SUPPORT BAR (2)



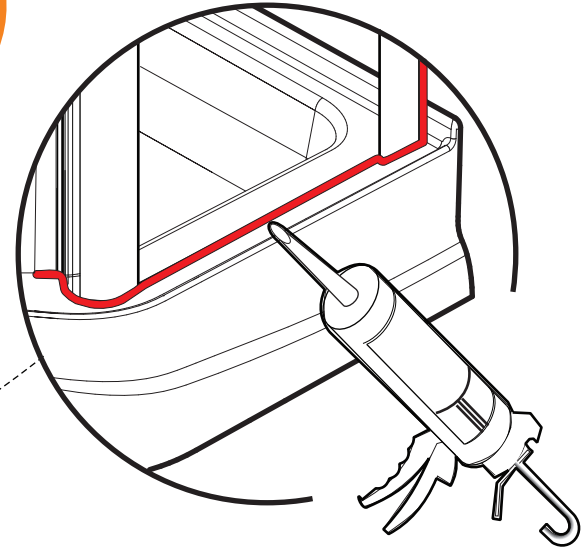
Step
12 SET OF HANDLES (1)



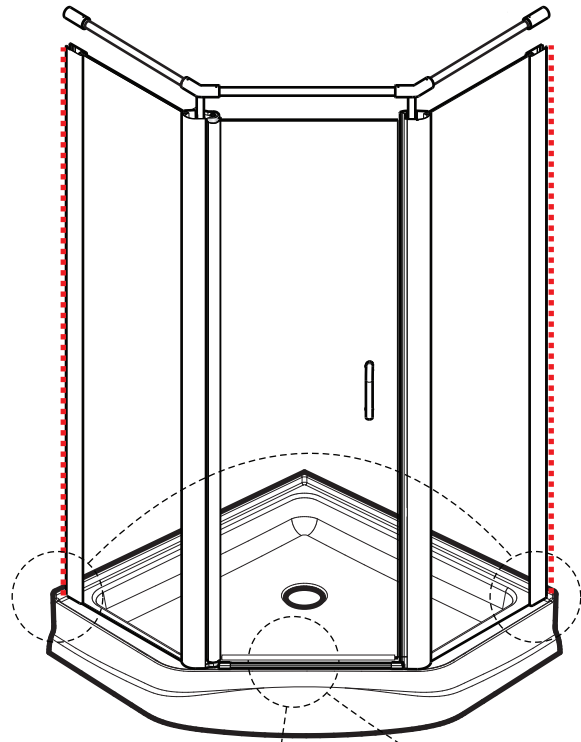
Step
11 SCREW 5/16" LG + CAP (16)



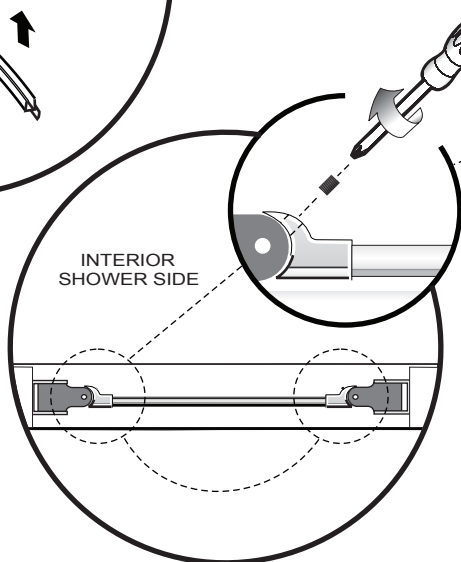
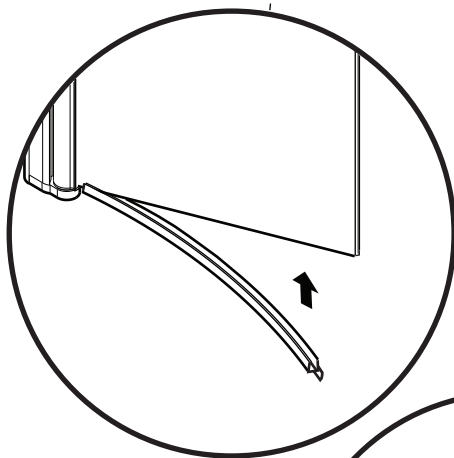
24 Hours



Step 15 SILICON SEAL EXTERIOR



Step 13 BOTTOM DOOR GASKET (1)



Step 14 THRESHOLD (1) + SILICONE UNDERNEATH

TOP VIEW