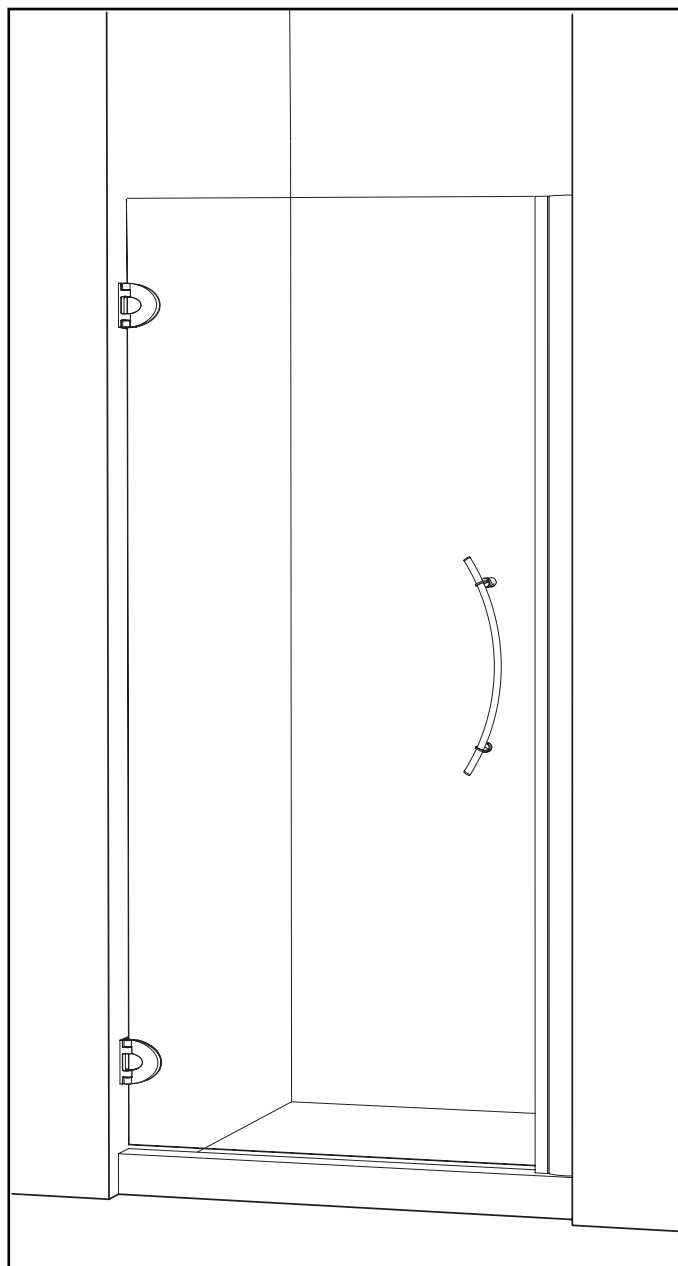


M-90X
INSTRUCTION MANUAL

ALUMAX
Moana Collection





*Please keep this manual and product code number for future reference
and to order replacement parts if necessary.*

● **Table of Contents**

MODEL NUMBER..... 2
 GENERAL INSTRUCTIONS 3
 INSTALLATION OVER CERAMIC TILES 3
 NOTICE 3
 CARE FOR YOUR FRAMELESS SHOWER DOOR 3
 PARTS LISTING..... 4
 PROVIDED HARDWARE..... 6
 TOOLS AND MATERIALS REQUIRED 6
 1. DETERMINE HINGES LOCATION. 7
 2. FASTEN THE HINGES TO THE WALL. 8
 3. PREASSEMBLE THE DOOR..... 8
 4. INSTALL THE DOOR PANEL..... 9
 5. INSTALL THE DOOR HANDLE. 9
 6. MOUNT THE WALL JAMB. 10
 7. INSERT THE MAGNETIC EXPANDER 11
 8. POSITION THE FIXED PANEL. 11
 8. INSTALL THE DOOR GASKETS. 12
 9. SILICONE SEAL THE SHOWER. 13

● **General Instructions**

- Read this manual carefully and completely before proceeding.
- It is recommended that you wear safety glasses at all times during the installation.

● **Installation over Ceramic Tiles**

- Silicone should be used to seal the gap where the ceiling meets the fixed panel.
- If your shower door is to be installed over ceramic tiles, the tiles should lay completely under the wall jamb.

● **Notice**

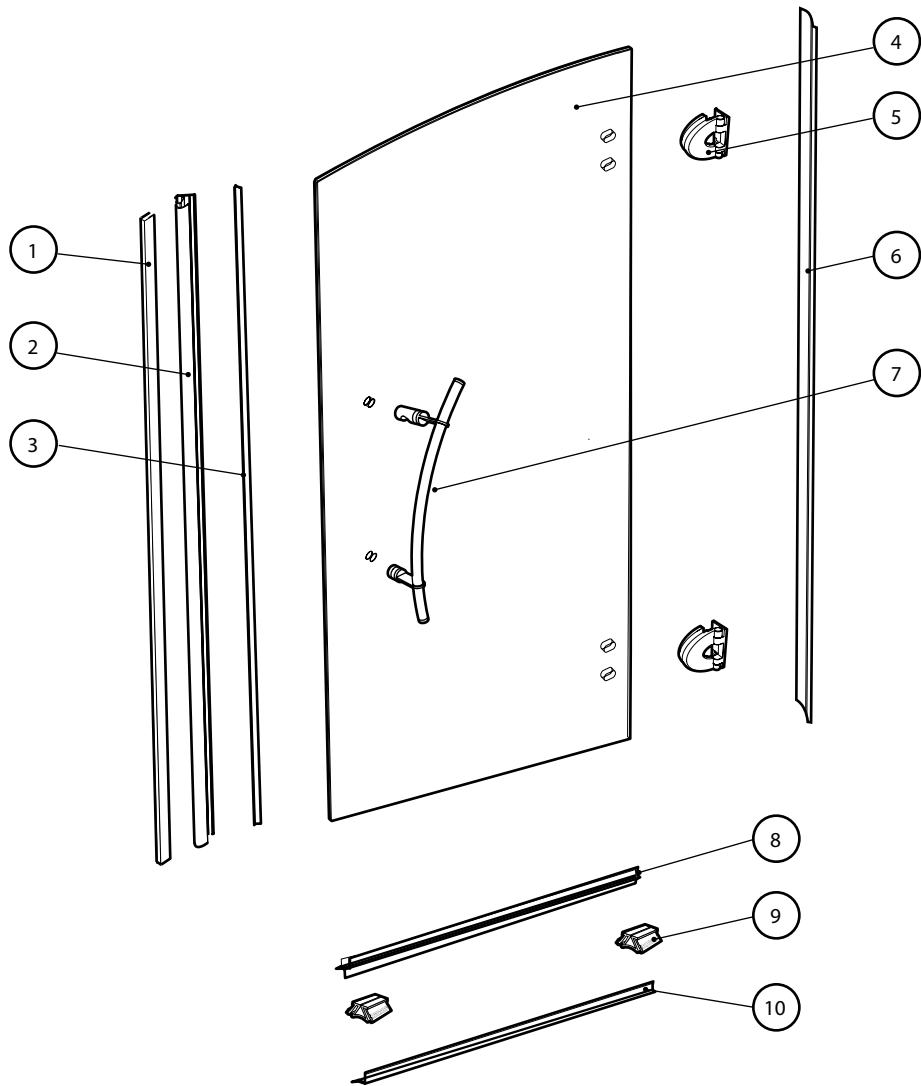
- Caulking: no sealant is required inside the shower.
- All models are equipped with transparent sealing gaskets.

● **Care for your Frameless Shower Door**

- Never use scouring powder pads or sharp instruments on metal pieces or glass panels.
 An occasional wiping down with a mild soap diluted in water is all that is needed to keep the panels and aluminum parts looking new.
- We recommend wiping the glass panels with a squeegee after each use.

Product specifications are subject to change without notice.

PARTS LISTING

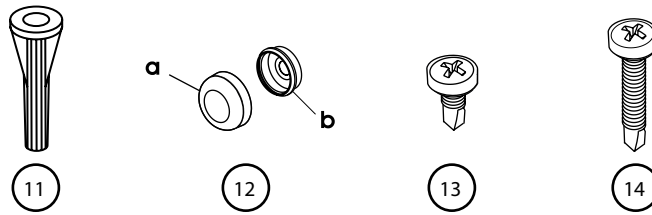


ITEM	PARTS	QTY
1	WALL JAMB (TEMPLATE)	1
2	MAGNETIC EXPANDER	1
3	MAGNETIC DOOR GASKET	1
4	DOOR PANEL	1
5	OVAL WALL MOUNT HINGE	2
6	SIDE PANEL GASKET	1
7	HANDLE CURVED	1
8	BOTTOM DOOR GASKET	1
9	SPACING BLOCKS	2
10	THRESHOLD	1

*next page

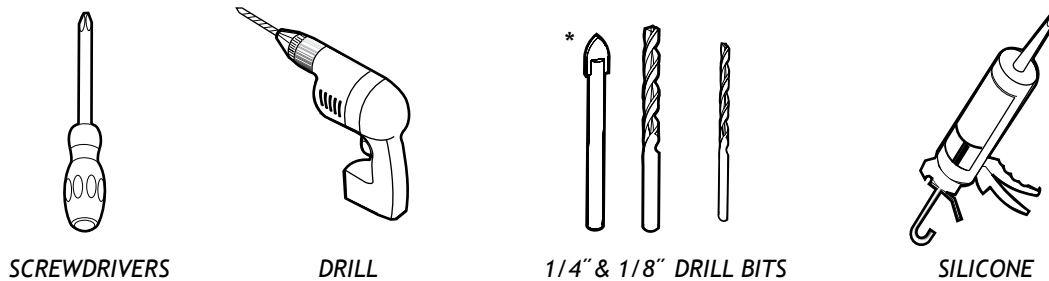
MODEL	DOOR PANEL	BOTTOM DOOR GASKET	THRESHOLD
23	(20 3/16" x 75")	21 1/2"	24 1/4"
24	(21 3/16" x 75")	22 1/2"	25 1/4"
25	(22 3/16" x 75")	23 1/2"	26 1/4"
26	(23 3/16" x 75")	24 1/2"	27 1/4"
27	(24 3/16" x 75")	25 1/2"	28 1/4"
28	(25 3/16" x 75")	26 1/2"	29 1/4"
29	(26 3/16" x 75")	27 1/2"	30 1/4"
30	(27 3/16" x 75")	28 1/2"	31 1/4"
31	(28 3/16" x 75")	29 1/2"	32 1/4"
32	(29 3/16" x 75")	30 1/2"	33 1/4"
33	(30 3/16" x 75")	31 1/2"	34 1/4"
34	(31 3/16" x 75")	32 1/2"	35 1/4"
35	(32 3/16" x 75")	33 1/2"	36 1/4"

PROVIDED HARDWARE



ITEM	HARDWARE	QTY
11	WALL PLUG	3
12	SCREW CAP	4
13	SELF DRILLING SCREW #8-3/8	3
14	SELF-DRILLING SCREW #8-1 1/4	3

TOOLS AND MATERIALS REQUIRED



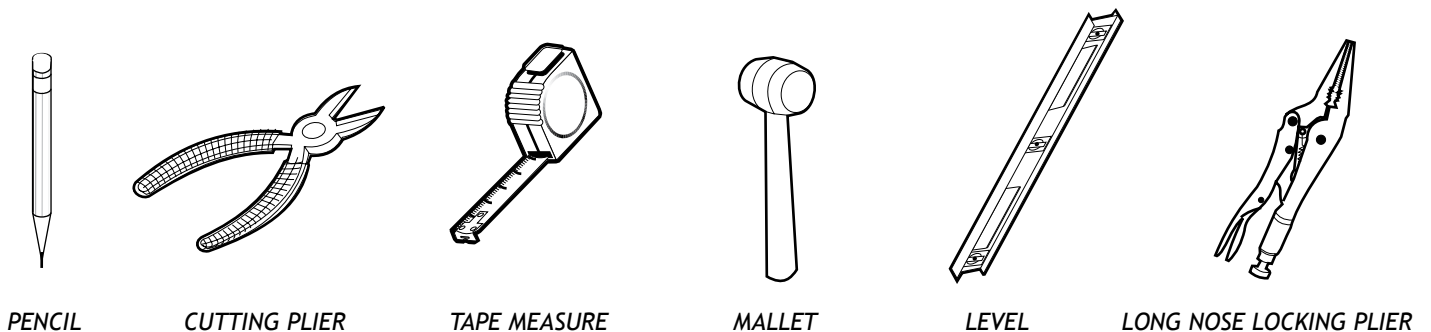
SCREWDRIVERS

DRILL

1/4" & 1/8" DRILL BITS

SILICONE

If the shower panels are to be assembled on ceramic tiles, use a 1/4" drill bit for ceramic tiles.



PENCIL

CUTTING PLIER


TAPE MEASURE

MALLET

LEVEL

LONG NOSE LOCKING PLIER

1 DETERMINE HINGES LOCATION.

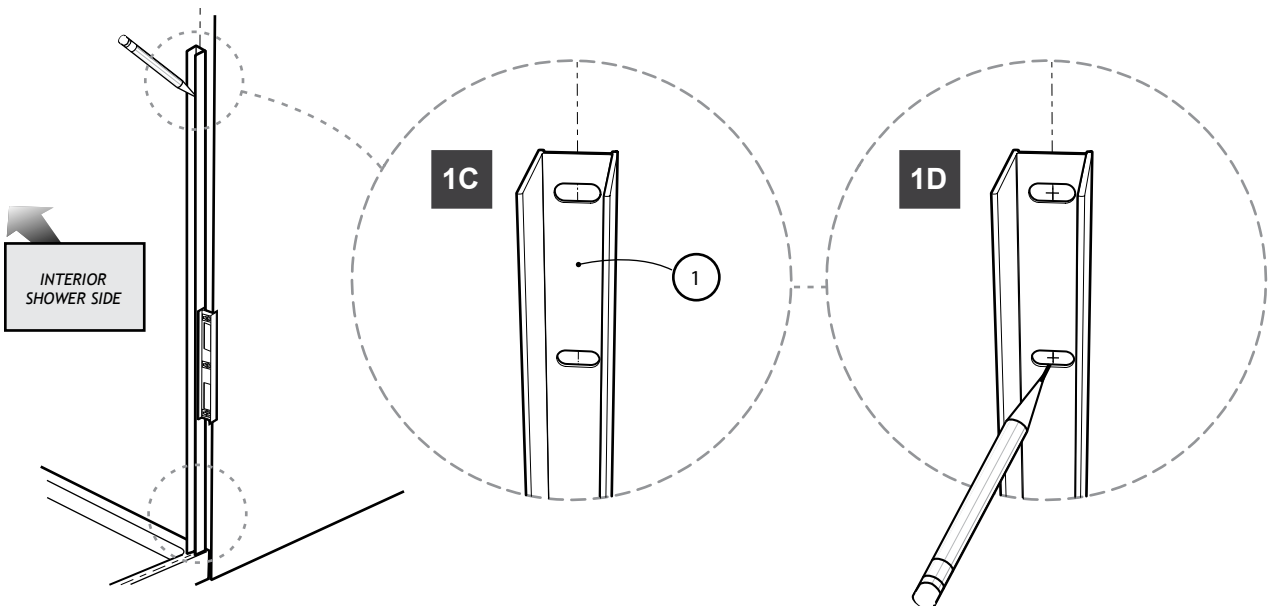
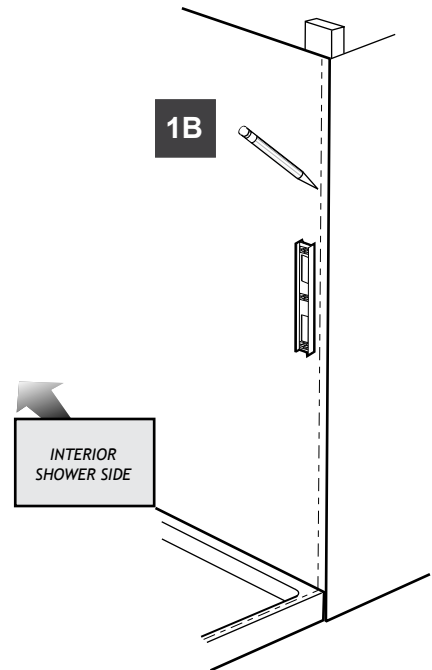


USE THE WALL JAMB (#1) AS TEMPLATE TO MARK DRILLING LOCATIONS FOR WALL-MOUNTED HINGES.



WALL-MOUNTED HINGES MUST BE SUPPORTED AND FASTENED INTO A STUD FRAMING.

- 1A. Determine on which side the hinges will be mounted.
- 1B. Trace a centerline on the threshold and run it up along the wall.
- 1C. Place the wall jamb (#1) on the threshold by centering the slotted holes with the centerline.
- 1D. Mark the drilling locations at the top and bottom of the wall jamb. Drill a hole at each location with a 1/4" drill bit.

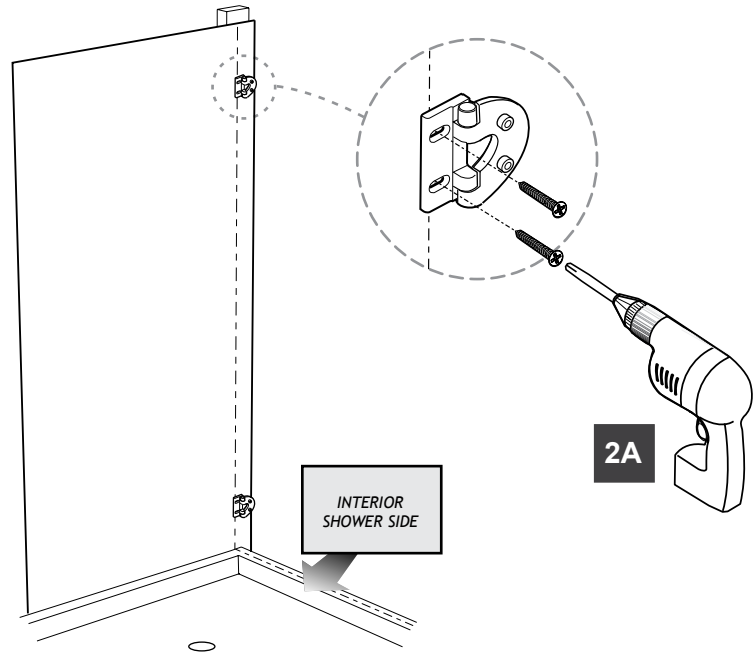


2 FASTEN THE HINGES TO THE WALL.



NEVER PLACE THE GLASS DIRECTLY ON THE FLOOR.

2A. Fasten the hinges (#5) to the wall as illustrated.

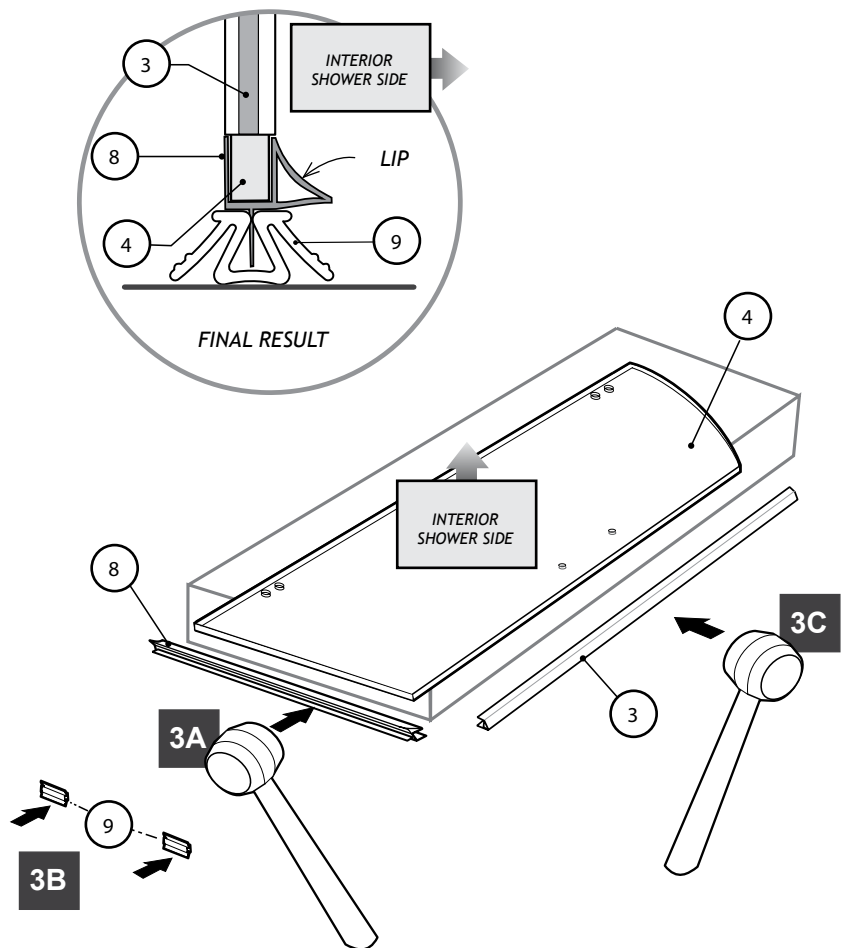


3 PREASSEMBLE THE DOOR.

3A. Rest the door panel (#4) on a flat surface. Temporarily insert the bottom door gasket (#8) under the door panel.

3B. Install the 2 spacing blocks (#9) onto the bottom lip of the gasket.

3C. Place the magnetic gasket (#3) on top of the bottom door gasket (#8) and insert it on the door panel using a mallet.



4 INSTALL THE DOOR PANEL.

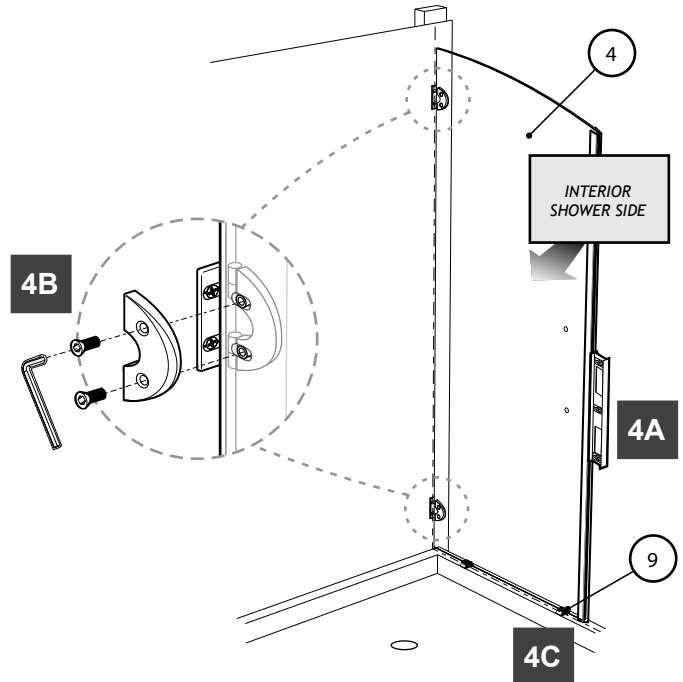


IT IS BEST TO HAVE 2 PEOPLE WORKING ON THIS STEP.

4A. Place the door assembly on the shower threshold and level it.

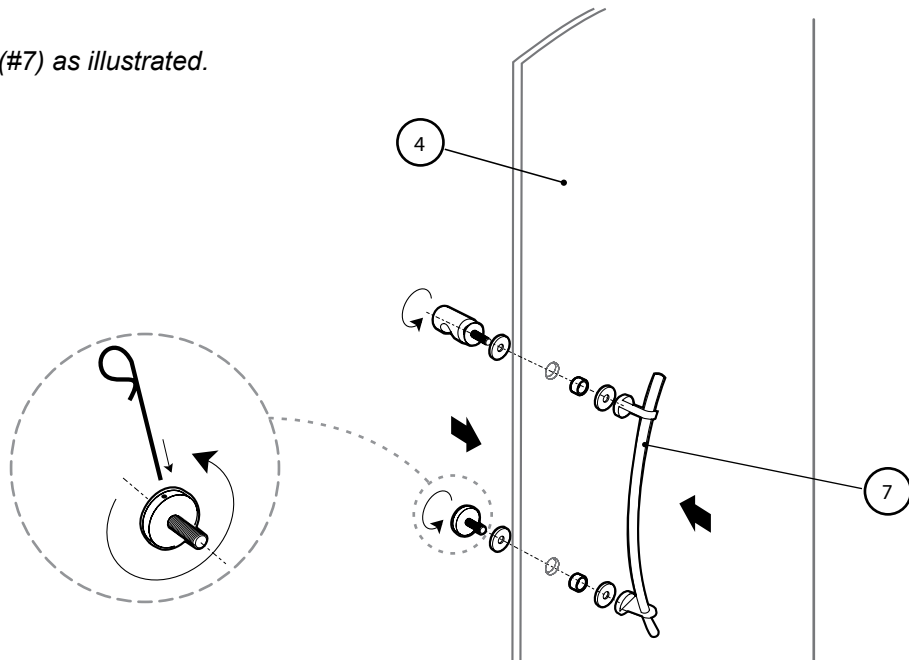
4B. Fasten the hinges as illustrated using the Allen key.

4C. Remove the spacing blocks (#9) and the bottom door gasket.

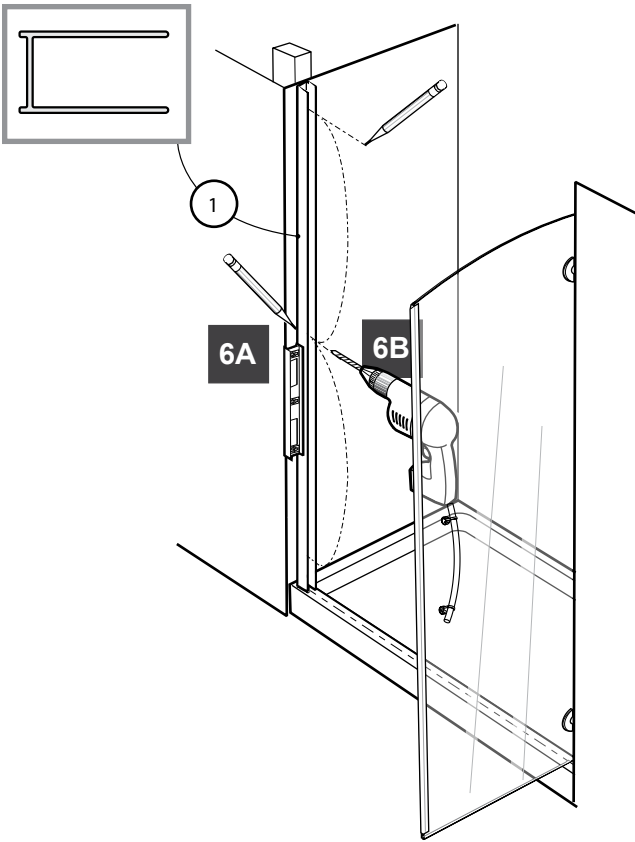


5 INSTALL THE DOOR HANDLE.

5A. Install the curved door handle (#7) as illustrated.



6 MOUNT THE WALL JAMB.



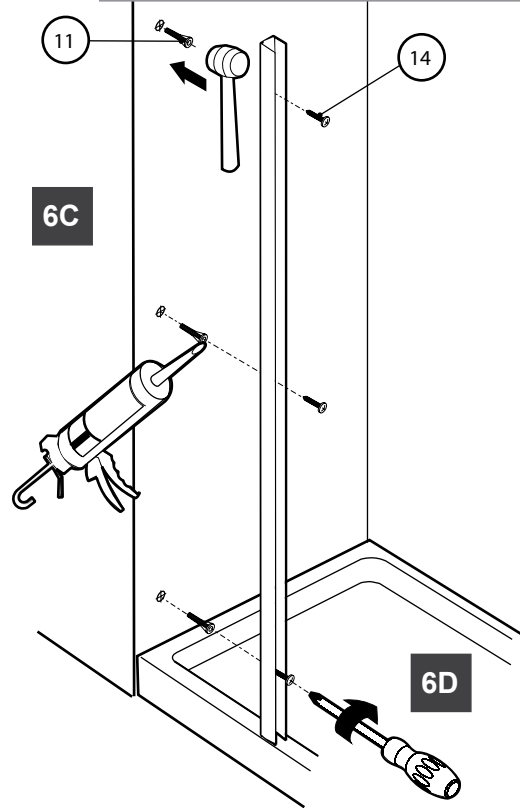
6A. Place the wall jamb (#1) on the center of the threshold and align it using a level. Trace the outer edge of the wall jamb and the holes onto the wall. Remove the wall jamb.

6B. With a 1/4" drill bit, drill 3 holes into the wall using the marks as a guide.

6C. (a) Should you find the wood studs directly behind the drilled hole location, skip this step. (b) Insert the wall plugs (#11) and put in each a drop of silicone.

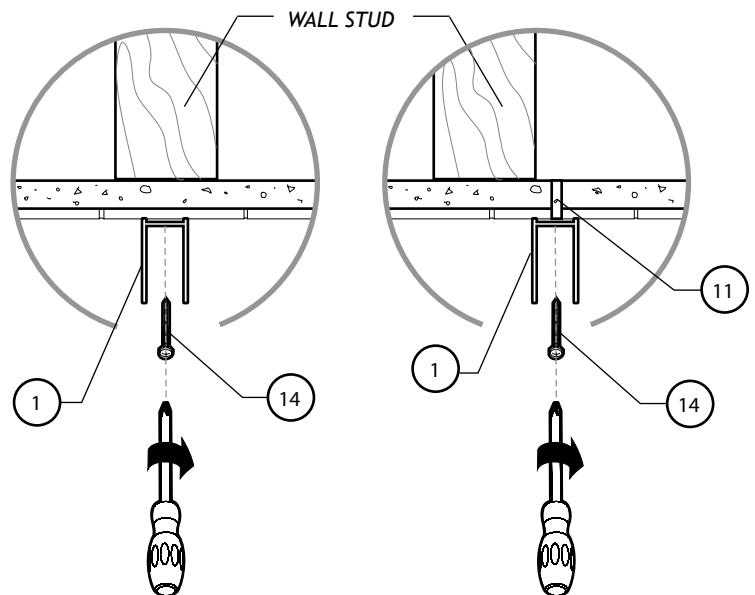
6D. Secure the wall jamb using the 1 1/4" screws (#14).

NOTE
CHOOSE 1 OF THE 2 HOLES AT THE TOP AND BOTTOM OF THE WALL JAMB.



6C(a)
TOP VIEW

6C(b)
TOP VIEW



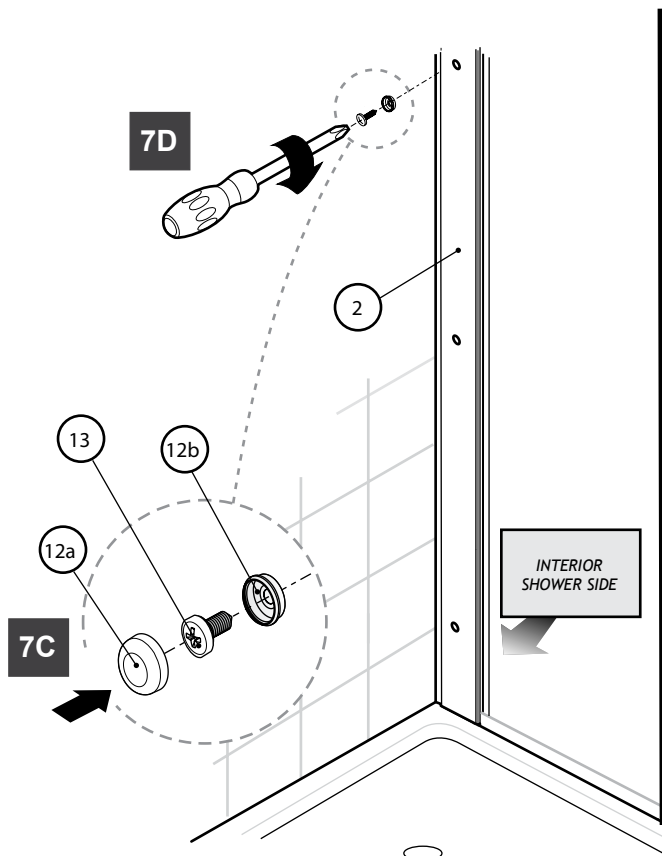
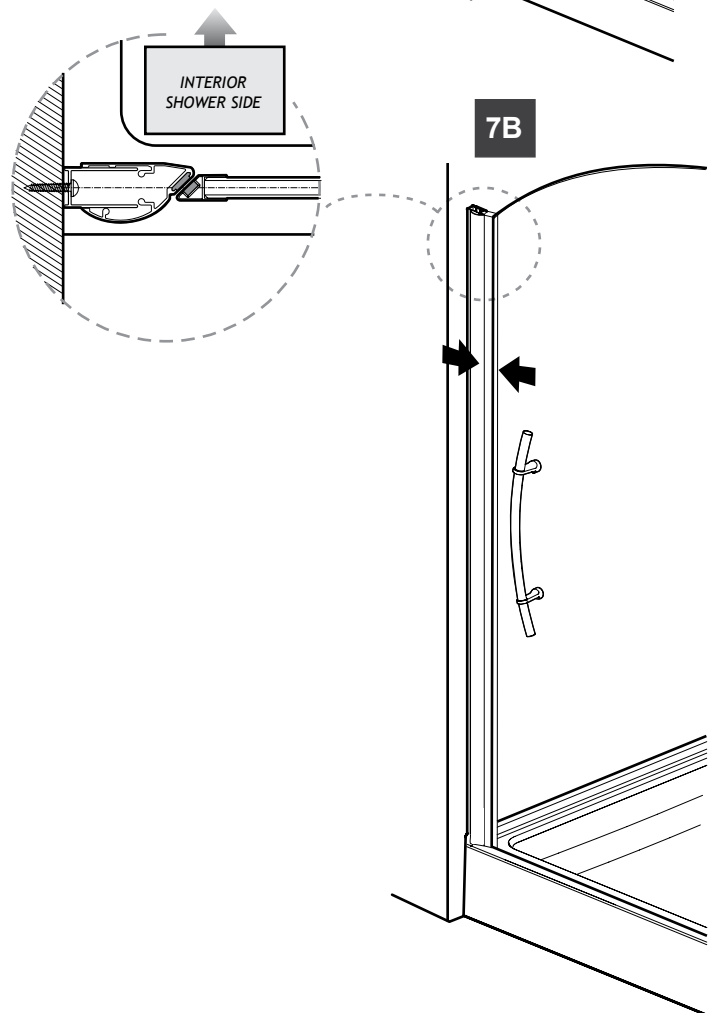
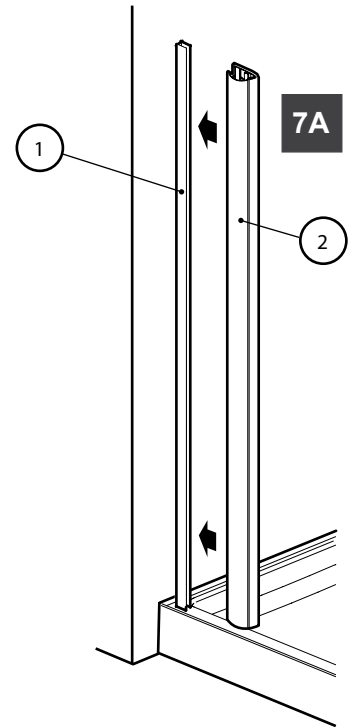
7 INSERT THE MAGNETIC EXPANDER

7A. Insert magnetic expander (#2) into the wall jamb (#1)

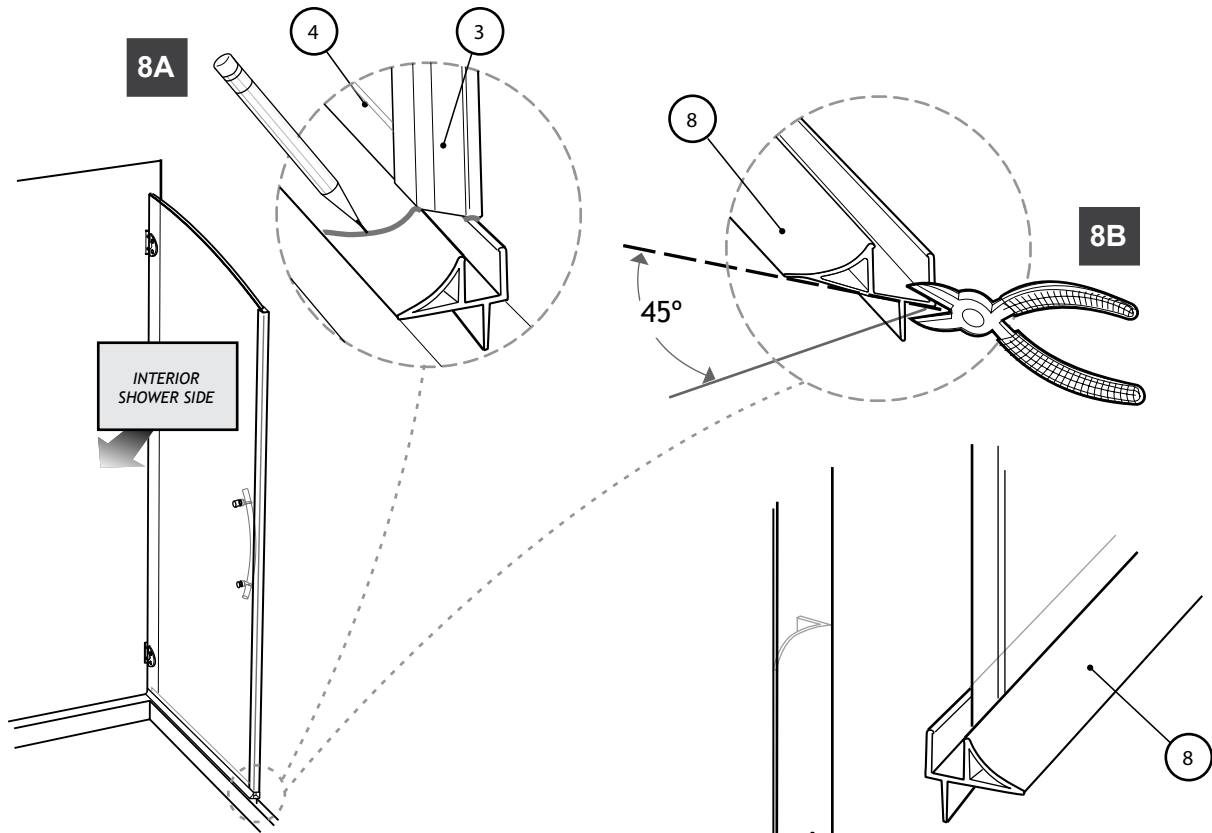
7B. Adjust and level the door panel. The magnetic gaskets must be aligned and in contact.

7C. Combine the 3 3/8" screws (#13) with the inner screw caps (#12b). Fasten the magnetic expander.

7D. Snap the screw caps (#12a) on the screws.

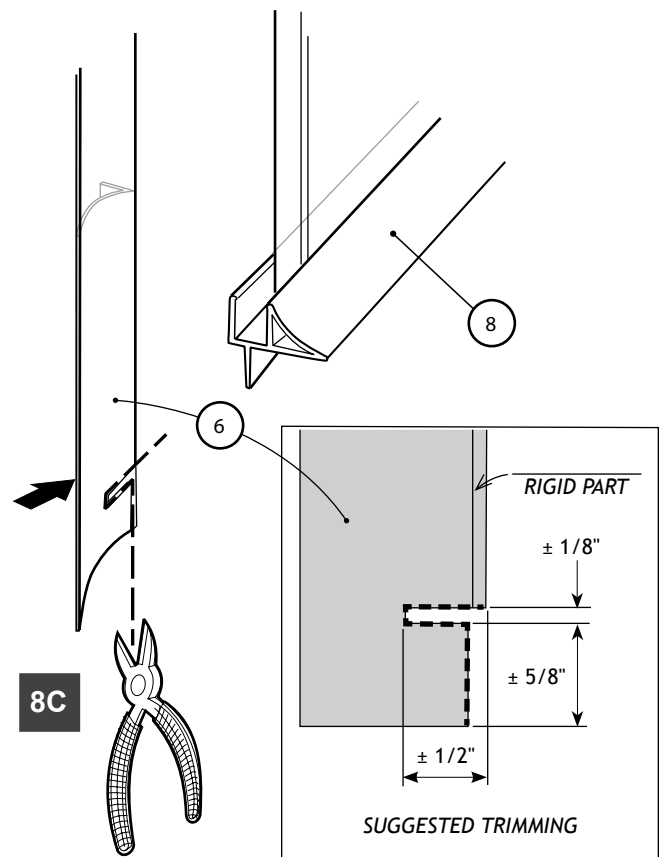


8 **INSTALL THE DOOR GASKETS.**



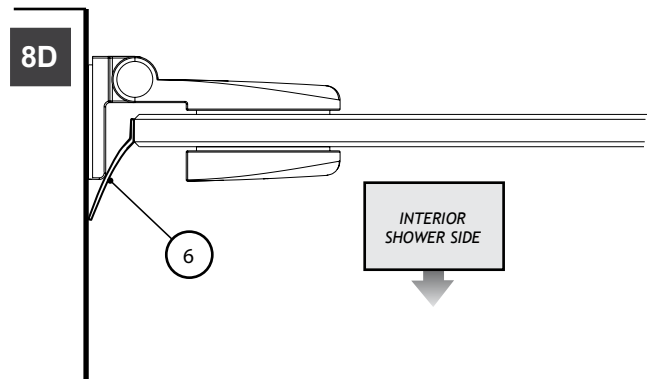
8A. Align the bottom door gasket (#8) to the wall and project on it the 45° magnetic gasket (#3) surface.

8B. Using the cutting plier, trim the bottom door gasket at 45°, making it flush with the magnetic gasket.

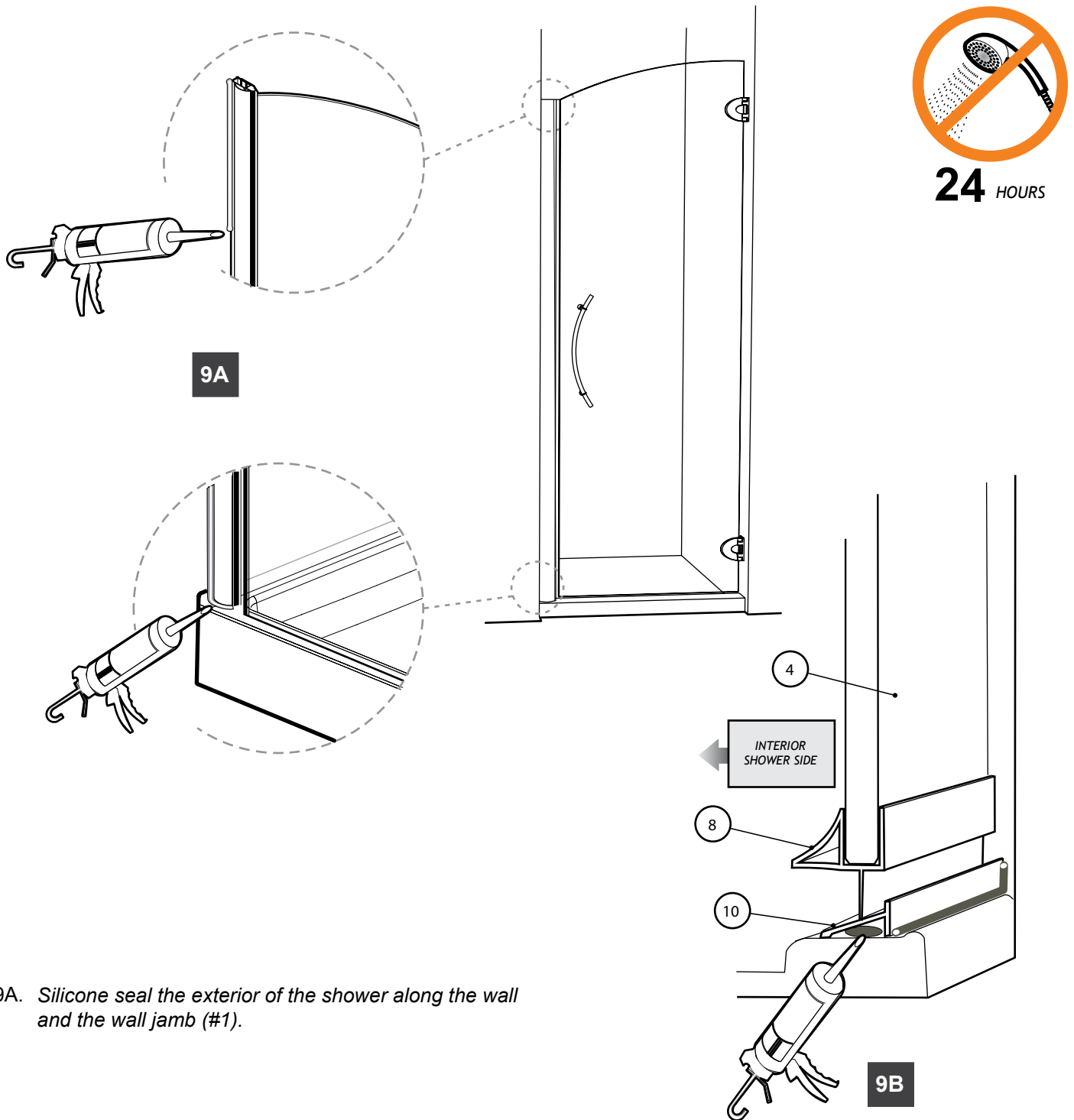


8C. Open the door and clean the door panel surface on which the door side gasket (#6) will be placed. Align it to the threshold and notch it to fit the bottom door gasket. Make sure it is oriented as illustrated.

8D. Stick the door side gasket (#6) on the door panel.




9 SILICONE SEAL THE SHOWER.



9A. Silicone seal the exterior of the shower along the wall and the wall jamb (#1).

9B. Position the threshold (#10) under the door panel as illustrated. Lift it to pass a bead of silicone underneath. Apply silicone on the outside edges.

 WE RECOMMEND TO HOLD THE THRESHOLD (#10) IN PLACE WITH TAPE WHILE DRYING.