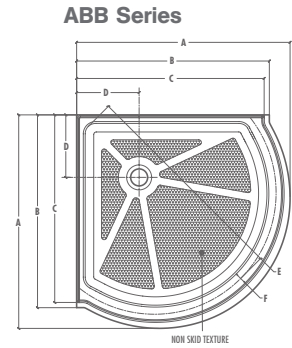


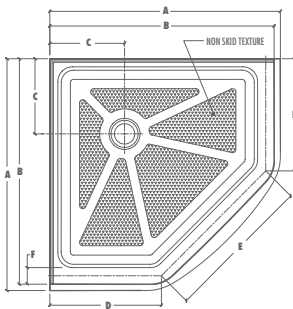
Acrylic Bases

Base	Color		Dimension						
	White (18K)	Biscuit (13K)	A	B	C	D	E	F	G
ABB32-	\$ 477.00	\$ 501.00	38 5/16"	33"	32"	12"	39 1/8"	2 11/16"	
ABB36-	\$ 588.00	\$ 617.00	41"	37"	36"	12"	41 5/16"	2 7/16"	
ABB40-	\$ 620.00	\$ 650.00	43 11/16"	40 5/16"	39 3/16"	12"	44 1/4"	2.75"	
ABC32-	\$ 477.00	\$ 501.00	32"	12"	29.5"	2.5"			
ABC36-	\$ 508.00	\$ 534.00	36"	12"	33 7/16"	2.5"			
ABC36ST-	\$ 505.00	\$ 529.00	36"	18"	34"	18"		34"	3.75"
ABC42-	\$ 553.00	\$ 581.00	42"	12"	39 3/8"	2.5"			
ABF3260-	\$ 668.00	\$ 701.00	32"	60"	16"	9"			3"
ABF3648-	\$ 601.00	\$ 631.00	36"	48"	18"	24"	33.25"	46"	2.75"
ABF3660-	\$ 714.00	\$ 751.00	36"	60"	18"	30"	33.25"	58"	2.75"
ABF3672-	\$ 790.00	\$ 830.00	36"	72"	18"	36"	33.25"	70"	2.75"
ABF4260-	\$ 751.00	\$ 788.00	42"	60"	21"	30"	39.75"	58"	2.75"
ABF4860-	\$ 832.00	\$ 874.00	48"	60"	24"	30"	45.25"	58"	2.75"
ABN36-	\$ 508.00	\$ 534.00	37"	36"	12"	18"	23 11/16"	2 9/16"	
ABN38-	\$ 519.00	\$ 545.00	38 3/8"	37 3/8"	12"	19 3/8"	23 7/8"	2.75"	
ABN42-	\$ 583.00	\$ 612.00	42"	41"	12"	20 13/16"	27 5/16"	2.5"	
ABR32-	\$ 496.00	\$ 521.00	32 13/16"	31 7/8"	12"	3"			
ABR36-	\$ 508.00	\$ 534.00	37"	36"	12"	3.25"			
ABR40-	\$ 543.00	\$ 570.00	40 5/16"	39 3/8"	12"	3"			
ABSL66-18LK-	\$ 766.00	NA	38.25"	66"	19"	12"			4 3/16"
ABSL66-18RK-	\$ 766.00	NA	38.25"	66"	19"	12"			4 3/16"

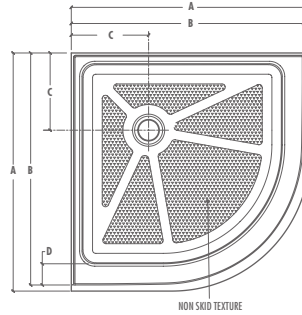
*Tolerance on dimensions: ± 1/4" (6mm)



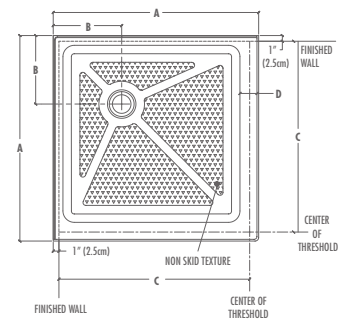
ABN Series



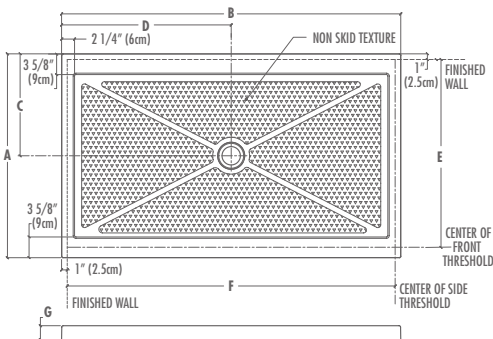
ABR Series



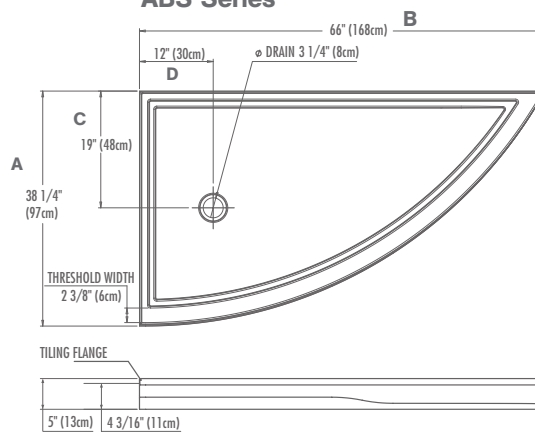
ABC Series



ABF Series



ABS Series



Acrylic Bases

For Kula Models

Base	Dimension							Kula Models																	
	A	B	C	D	E	F	G	Kona Round	Kona Arc 3	Kona Arc 4	Kona Neo	Kona Cube	Kona In-line Panel/Door	Kona In-Line Panel/Door Return	Kona In-Line 4	Ventura Neo	Ventura Corner	Ventura In-Line Panel/Door	Ventura Door	Nalu Arc	Nalu In-Line Panel/Door	Nalu In-Line Panel/Door/Return	Nalu Curve	Sunset In-Line Panel/Door	
ABB32	38 5/16"	33"	32"	12"		39 1/8"	2 11/16"																		
ABB36	41"	37"	36"	12"		41 5/16"	2 7/16"																		
ABB40	43 11/16"	40 5/16"	39 3/16"	12"		44 1/4"	2.75"																		
ABC32	32"	12"	29.5"	2.5"																					
ABC36	36"	12"	33 7/16"	2.5"																					
ABC36ST	36"	18"	34"	18"			34"	3.75"																	
ABC42	42"	12"	39 3/8"	2.5"																					
ABF3260	32"	60"	16"	9"				3"																	
ABF3648	36"	48"	18"	24"		33.25"	46"	2.75"																	
ABF3660	36"	60"	18"	30"		33.25"	58"	2.75"																	
ABF3672	36"	72"	18"	36"		33.25"	70"	2.75"																	
ABF4260	42"	60"	21"	30"		39.75"	58"	2.75"																	
ABF4860	48"	60"	24"	30"		45.25"	58"	2.75"																	
ABN36	37"	36"	12"	18"		23 11/16"	2 9/16"	??																	
ABN38	38 3/8"	37 3/8"	12"	19 3/8"		23 7/8"	2.75"	??																	
ABN42	42"	41"	12"	20 13/16"		27 5/16"	2.5"	??																	
ABR32	32 13/16"	31 7/8"	12"	3"																					
ABR36	37"	36"	12"	3.25"																					
ABR40	40 5/16"	39 3/8"	12"	3"																					
ABSL66-18LK	38.25"	66"	19"	12"				4 3/16"																	
ABSL66-18RK	38.25"	66"	19"	12"				4 3/16"																	

*Tolerance on dimensions: ± 1/4" (6mm)

Acrylic Bases

For Pipeline, Moana and Lani Models

Base	Dimension							Pipeline Models					Moana Models							Lani Models													
	A	B	C	D	E	F	G	In-Line	In-Line with Return	Three-Sided	Curve	Arc	In-Line Panel/Door	In-Line Panel/Door/Return	In-Line Panel/Door/Panel	In-Line Door	In-Line Door/Panel	In-Line Door/Panel/Return	Curve	Neo-Angle 3/8"	Neo-Angle 1/4"	Cube	Round	Square Shower Shield	Round Top Shower Shield	100 Series	200 Series	300 Series	400 Series	500 Series	Curved Shield	Square Shower Shield 1/4"	
ABB40	43 11/16"	40 5/16"	39 3/16"	12"		44 1/4"	2.75"																										
ABC36	36"	12"	33 7/16"	2.5"																													
ABC36ST	36"	18"	34"	18"			34"	3.75"																									
ABF3260	32"	60"	16"	9"			3"																										
ABF3648	36"	48"	18"	24"		33.25"	46"	2.75"																									
ABF3660	36"	60"	18"	30"		33.25"	58"	2.75"																									
ABF3672	36"	72"	18"	36"		33.25"	70"	2.75"																									
ABF4260	42"	60"	21"	30"		39.75"	58"	2.75"																									
ABF4860	48"	60"	24"	30"		45.25"	58"	2.75"																									
ABN36	37"	36"	12"	18"		23 11/16"	2 9/16"																										
ABN38	38 3/8"	37 3/8"	12"	19 3/8"		23 7/8"	2.75"																										
ABN42	42"	41"	12"	20 13/16"		27 5/16"	2.5"																										
ABR36	32 13/16"	31 7/8"	12"	3"																													
ABR40	37"	36"	12"	3.25"																													
ABSL66-18LK	38.25"	66"	19"	12"				4 3/16"																									
ABSL66-18RK	38.25"	66"	19"	12"				4 3/16"																									

*Tolerance on dimensions: ± 1/4" (6mm)

