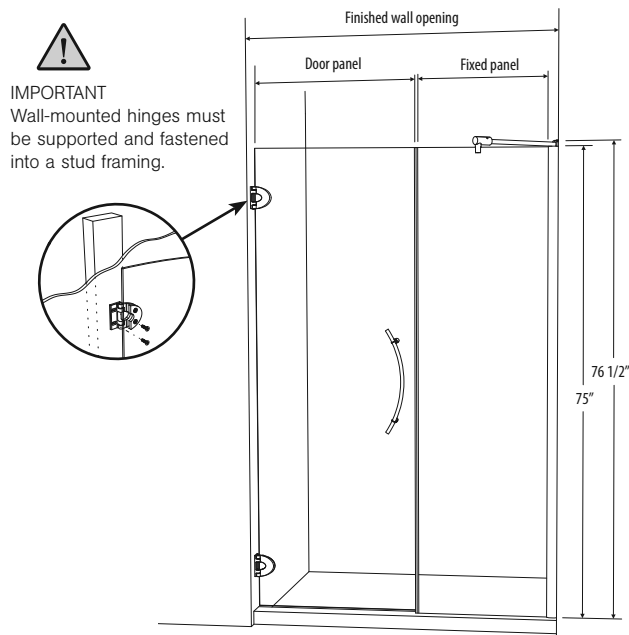




Moana M-DP91X
In-Line Door and Panel
Door Hinges on Wall

Features

- Solid brass hardware
- 3/8" (10mm) tempered glass
- 75" Standard height
- Available in standard tempered clear glass
- Available with Clear Shield
- Hardware only configurations available for custom enclosures



GLASS DIMENSIONS

Model	For Openings	Door	Panel (Adjustment)	Optional Acrylic Base
M-DP91X-36	36 1/4" to 37 1/4"	20 3/16"	13 5/8" (14 7/8" - 15 1/2")	N/A
M-DP91X-37	37 5/8" to 38 5/8"	20 3/16"	15" (16 1/4" - 16 7/8")	N/A
M-DP91X-38	38 5/8" to 39 5/8"	21 3/16"		
M-DP91X-39	39 5/8" to 40 5/8"	22 3/16"		
M-DP91X-40	40 5/8" to 41 5/8"	23 3/16"		
M-DP91X-41	41 5/8" to 42 5/8"	24 3/16"		
M-DP91X-42	42 5/8" to 43 5/8"	25 3/16"		
M-DP91X-43	43 5/8" to 44 5/8"	26 3/16"		
M-DP91X-44	44 5/8" to 45 5/8"	27 3/16"		
M-DP91X-45	45 5/8" to 46 5/8"	28 3/16"		
M-DP91X-46	46 1/4" to 47 1/4"	24 3/16"		
M-DP91X-47	47 1/4" to 48 1/4"	25 3/16"	N/A	
M-DP91X-48	48 1/4" to 49 1/4"	26 3/16"		
M-DP91X-49	49 1/4" to 50 1/4"	27 3/16"		
M-DP91X-50	50 1/4" to 51 1/4"	28 3/16"		
M-DP91X-51	51 1/4" to 52 1/4"	29 3/16"		
M-DP91X-52	52 1/4" to 53 1/4"	30 3/16"		
M-DP91X-53	53 1/4" to 54 1/4"	31 3/16"		
M-DP91X-54	54 1/4" to 55 1/4"	32 3/16"		
M-DP91X-57	57 5/8" to 58 5/8"	32 3/16"		23" (24 1/4" - 24 7/8")
M-DP91X-58	58 5/8" to 59 5/8"	32 3/16"	24" (25 1/4" - 25 7/8")	N/A