

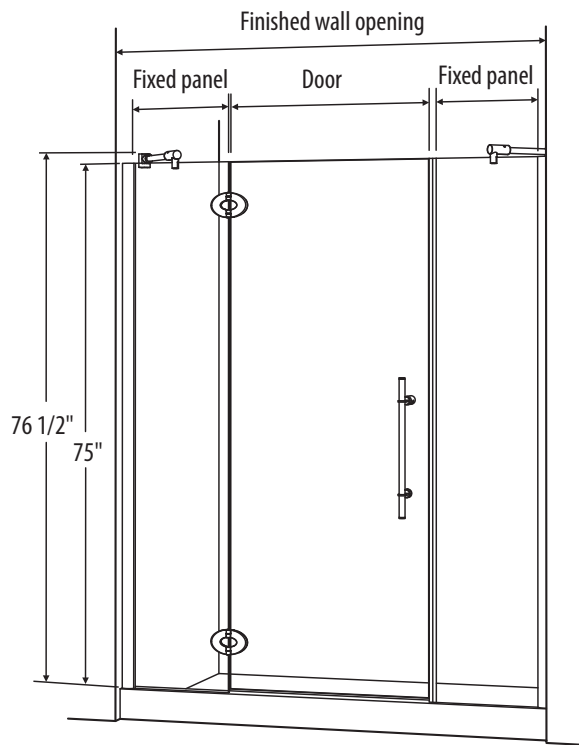
DELUXE GLASS – 3/8" (10mm) Tempered With Polished Edges • Door Height 75"



Moana M-PDP95X
In-Line Panel / Door / Panel

Features

- Solid brass hardware
- 3/8" (10mm) tempered glass
- 75" Standard height
- Available in standard tempered clear glass
- Available with Clear Shield
- Hardware only configurations available for custom enclosures



GLASS DIMENSIONS

Model	Door	Panel (Adjustment)	Optional Acrylic Base
M-PDP95X-46	24 3/16" X 74 1/2"	9" x 75"	N/A
M-PDP95X-47	25 3/16" X 74 1/2"		N/A
M-PDP95X-48	26 3/16" X 74 1/2"		N/A
M-PDP95X-49	27 3/16" X 74 1/2"		N/A
M-PDP95X-50	28 3/16" X 74 1/2"		N/A
M-PDP95X-51	29 3/16" X 74 1/2"		N/A
M-PDP95X-52	30 3/16" X 74 1/2"		N/A
M-PDP95X-53	31 3/16" X 74 1/2"		N/A
M-PDP95X-54	32 3/16" X 74 1/2"		N/A
M-PDP95X-55	24 3/16" X 74 1/2"		13 5/8" x 75"
M-PDP95X-56	25 3/16" X 74 1/2"	N/A	
M-PDP95X-57	26 3/4" X 74 1/2"	ABF3260, ABF3660, ABF4260, ABF4860	
M-PDP95X-58	27 3/16" X 74 1/2"	N/A	

Model	Door	Panel (Adjustment)	Optional Acrylic Base
M-PDP95X-59	25 3/16" X 74 1/2"	15" x 75"	N/A
M-PDP95X-60	26 3/16" X 74 1/2"		N/A
M-PDP95X-61	27 3/16" X 74 1/2"		N/A
M-PDP95X-62	26 3/16" X 74 1/2"	16 7/16" x 75"	N/A
M-PDP95X-63	27 3/16" X 74 1/2"		N/A
M-PDP95X-64	28 3/16" X 74 1/2"		N/A
M-PDP95X-65	26 3/16" X 74 1/2"		N/A
M-PDP95X-66	27 3/16" X 74 1/2"	17 3/4" x 75"	N/A
M-PDP95X-67	28 3/16" X 74 1/2"		N/A
M-PDP95X-68	25 3/16" X 74 1/2"	19 5/8" x 75"	N/A
M-PDP95X-69	26 3/4" X 74 1/2"	19 5/8" x 75"	ABF3672
M-PDP95X-70	27 3/16" X 74 1/2"	19 5/8" x 75"	N/A
M-PDP95X-71	28 3/16" X 74 1/2"		N/A