

Acrylic Shower Bases

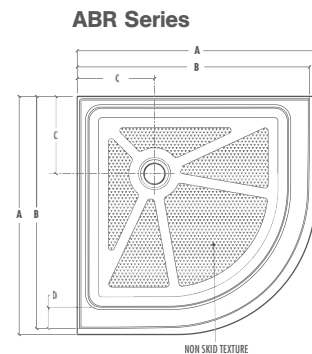
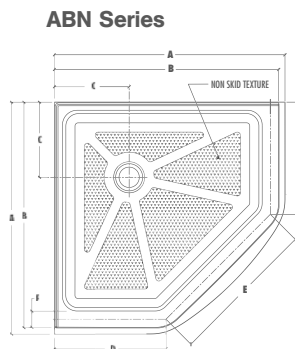
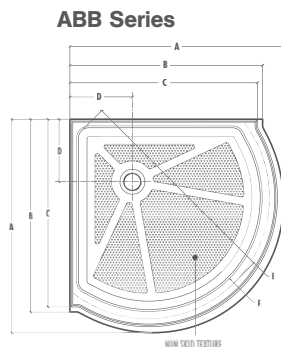


ABB32, ABB36, ABB40
ABR32, ABR36, ABR40
ABN36, ABN38, ABN42



Features

- Constructed of Lucite® acrylic
- Available in Biscuit or White
- Textured bottom for added safety
- Durable cross-linked cast acrylic shell is extremely scratch and stain resistant, yet renewable thanks to the integral (not merely surface coated) color.
- Non-porous surface makes cleaning and sanitizing faster and more effective
- Multi-layered backing of thick fiberglass / resin to prevent flexing of floor pan
- Integral tile flange on 2 sides to facilitate installation
- Drain opening for standard 2" drain
- Limited 10 Year Warranty



Base	Color		Dimension					
	White (18K)	Biscuit (13K)	A	B	C	D	E	F
ABB32-	•	•	38 5/16"	33"	32"	12"	39 1/8"	2 11/16"
ABB36-	•	•	41"	37"	36"	12"	41 5/16"	2 7/16"
ABB40-	•	•	43 11/16"	40 5/16"	39 3/16"	12"	44 1/4"	2.75"
ABN36-	•	•	37"	36"	12"	18"	23 11/16"	2 9/16"
ABN38-	•	•	38 3/8"	37 3/8"	12"	19 3/8"	23 7/8"	2.75"
ABN42-	•	•	42"	41"	12"	20 13/16"	27 5/16"	2.5"
ABR32-	•	•	32 13/16"	31 7/8"	12"	3"		
ABR36-	•	•	37"	36"	12"	3.25"		
ABR40-	•	•	40 5/16"	39 3/8"	12"	3"		

*Tolerance on dimensions: ± 1/4" (6mm)

Acrylic Shower Bases

ABC32, ABC36, ABC42



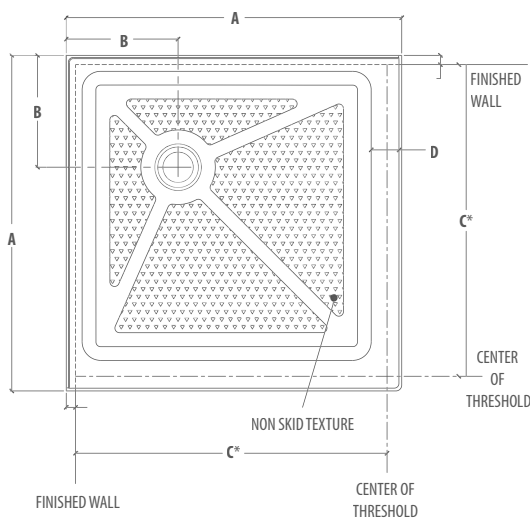
Acrylic



Features

- Constructed of Lucite® acrylic
- Available in Biscuit or White
- Double threshold design
- Textured bottom for added safety
- Durable cross-linked cast acrylic shell is extremely scratch and stain resistant, yet renewable thanks to the integral (not merely surface coated) color.
- Non-porous surface makes cleaning and sanitizing faster and more effective
- Multi-layered backing of thick fiberglass / resin to prevent flexing of floor pan
- Integral tile flange on 2 sides to facilitate installation
- Symmetrical for easy right or left configuration
- Drain opening for standard 2" drain
- Limited 10 Year Warranty

ABC Series



*C - varies based on wall finish choices

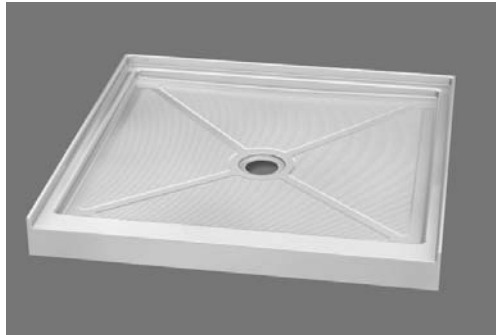
Base	Color		Dimension		
	White (18K)	Biscuit (13K)	A	B	D
ABC32	•	•	32"	12"	2.5"
ABC36	•	•	36"	12"	2.5"
ABC42	•	•	42"	12"	2.5"

*Tolerance on dimensions: ± 1/4" (6mm)

Acrylic Shower Bases



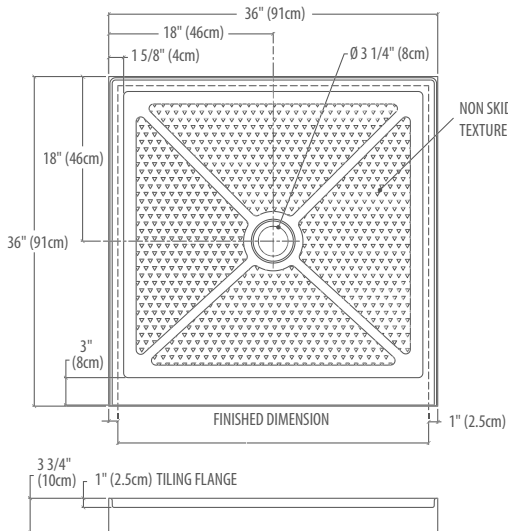
ABC36ST



Features

- Constructed of Lucite® acrylic
- Available in Biscuit or White
- Single threshold design
- Textured bottom for added safety
- Durable cross-linked cast acrylic shell is extremely scratch and stain resistant, yet renewable thanks to the integral (not merely surface coated) color.
- Non-porous surface makes cleaning and sanitizing faster and more effective
- Multi-layered backing of thick fiberglass / resin to prevent flexing of floor pan
- Integral tile flange on 3 sides to facilitate installation
- Drain opening for standard 2" drain
- Limited 10 Year Warranty

ABC Series



Base	Color	
	White (18K)	Biscuit (13K)
ABC36ST-	•	•

*Tolerance on dimensions: ± 1/4" (6mm)

Acrylic Shower Bases

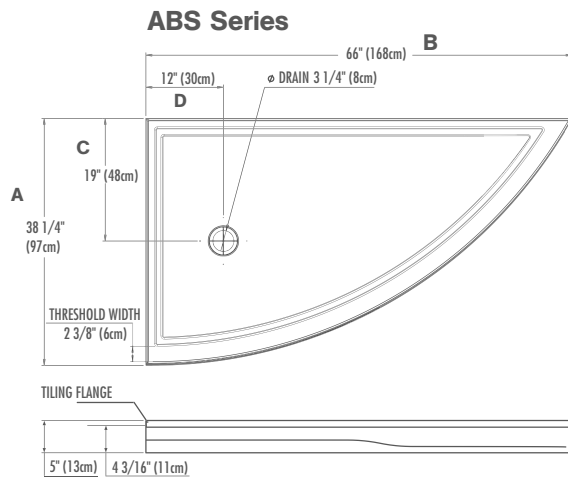


ABSL66



Features

- Constructed of Lucite® acrylic
- Available in White only
- Single threshold design
- Durable cross-linked cast acrylic shell is extremely scratch and stain resistant, yet renewable thanks to the integral (not merely surface coated) color.
- Non-porous surface makes cleaning and sanitizing faster and more effective
- Multi-layered backing of thick fiberglass / resin to prevent flexing of floor pan
- Integral tile flange on 2 sides to facilitate installation
- Drain opening for standard 2" drain
- Limited 10 Year Warranty



Base	Color		Dimension				
	White (18K)	Biscuit (13K)	A	B	C	D	G
ABSL66-18LK-	•	NA	38.25"	66"	19"	12"	4 3/16"
ABSL66-18RK-	•	NA	38.25"	66"	19"	12"	4 3/16"

*Tolerance on dimensions: ± 1/4" (6mm)

Acrylic Shower Bases

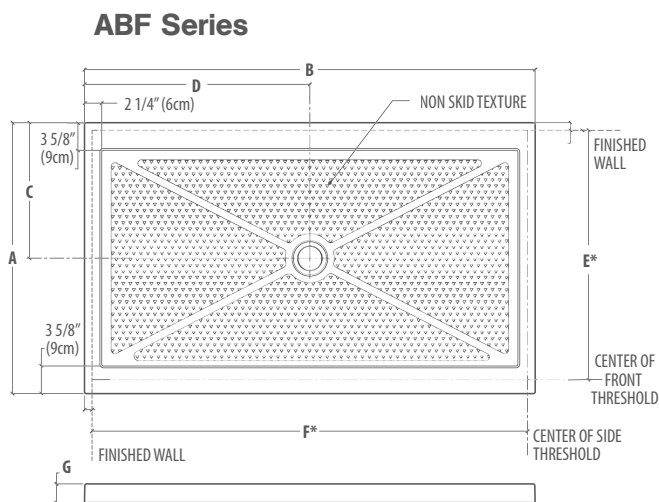


ABF3648, ABF3660, ABF3672
ABF4260, ABF4860
ABF3260



Features

- Constructed of Lucite® acrylic
- Available in Biscuit or White
- Multi-threshold design
- Textured bottom for added safety
- Durable cross-linked cast acrylic shell is extremely scratch and stain resistant, yet renewable thanks to the integral (not merely surface coated) color.
- Non-porous surface makes cleaning and sanitizing faster and more effective
- Multi-layered backing of thick fiberglass / resin to prevent flexing of floor pan
- Supplied with aluminum tile flanges to facilitate installation
- Drain opening for standard 2" drain
- Limited 10 Year Warranty



*F & E - varies based on wall finish choices

Base	Color		Dimension				
	White (18K)	Biscuit (13K)	A	B	C	D	G
ABF3260-	•	•	32"	60"	16"	9"	3"
ABF3648-	•	•	36"	48"	18"	24"	2.75"
ABF3660-	•	•	36"	60"	18"	30"	2.75"
ABF3672-	•	•	36"	72"	18"	36"	2.75"
ABF4260-	•	•	42"	60"	21"	30"	2.75"
ABF4860-	•	•	48"	60"	24"	30"	2.75"

*Tolerance on dimensions: ± 1/4" (6mm)

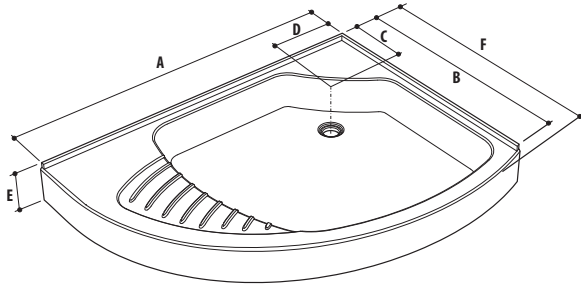
Acrylic Shower Bases

ABTL48, ABTR48



Features

- Constructed of Lucite® acrylic
- Available in White only
- Single threshold design
- Textured bottom for added safety
- Durable cross-linked cast acrylic shell is extremely scratch and stain resistant, yet renewable thanks to the integral (not merely surface coated) color.
- Non-porous surface makes cleaning and sanitizing faster and more effective
- Multi-layered backing of thick fiberglass / resin to prevent flexing of floor pan
- Integral tile flange on 2 sides to facilitate installation
- Drain opening for standard 2" drain
- Limited 10 Year Warranty



Base	Color		Dimension					
	White (18K)	Biscuit (13K)	A	B	C	D	E	F
ABTL48-18K	•	NA	49 1/2"	35 1/4"	12"	12"	**5 1/2"	38"
ABTR48-18K	•	NA	49 1/2"	35 1/4"	12"	12"	**5 1/2"	38"

*Tolerance on dimensions: ± 1/4" (6mm)- **Including 1" tile flange