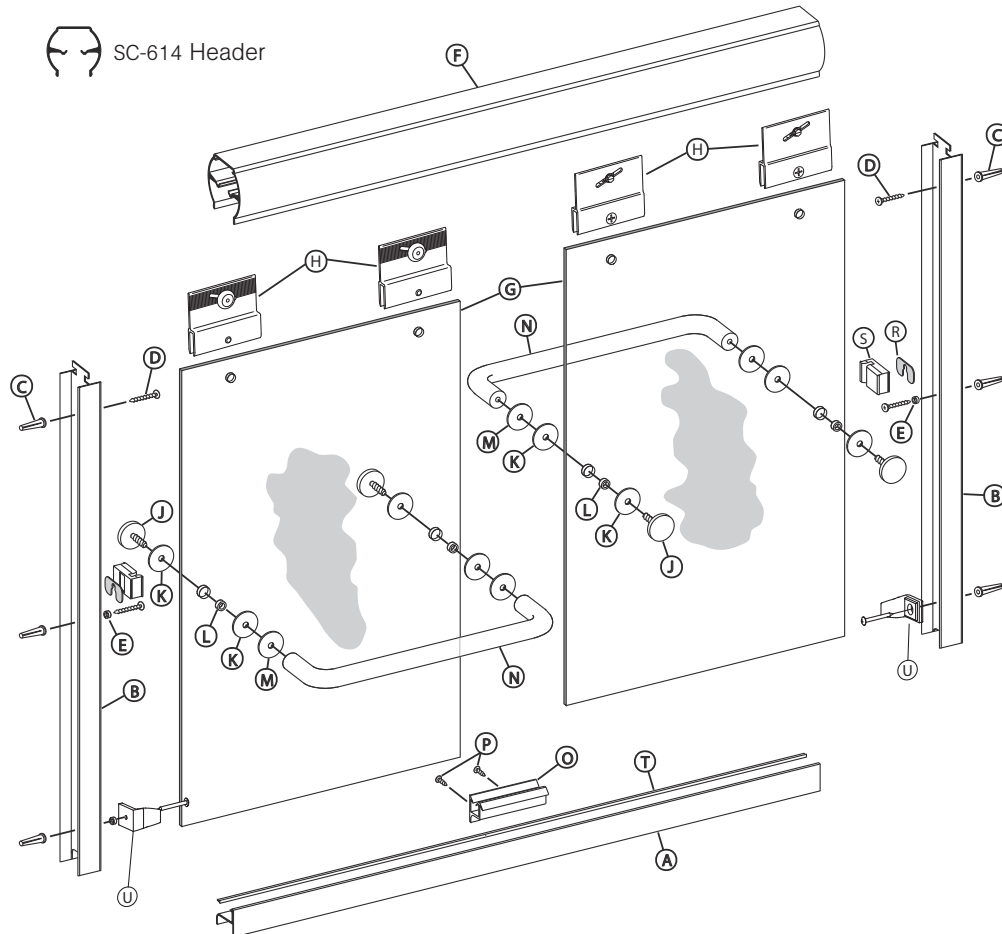


TECHNICAL SPECIFICATIONS – SLIDING ENCLOSURES

340D / 350D - Semi-Frameless Slider - 1/4" Glass



- A.** 1 SC-556 Tub Track with Vinyl
- B.** 2 SC-896 Wall Jamba
- C.** 6 Plastic Wall Anchors
- D.** 6 #8 x 1 1/2 Truss Head Screws
- E.** 2 Nylon Spacers
- F.** 1 SC-614 Header
- G.** 2 Glass Lites

- H.** 4 Hanger Brackets (Pre-assembled)
- J.** 4 1" Dia. x 1/8 Thk. End Caps
- K.** 8 1" Dia. Plastic Washers
- L.** 4 Plastic Bushings
- M.** 4 1" Dia. x 1/8 Thk. Metal Washers
- N.** 2 Tubular Towel Bars
- O.** 1 PVC Bottom Guide

- P.** 2 #6 x 3/8 Pan Head Screw
- R.** 2 Stainless Bumper Inserts
- S.** 2 Vinyl Jamb Bumpers
- T.** 1 Vinyl Silencer
- U.** Bottom Bumper (Optional)

Calculations

Maximum allowable width of unit = 72
 Maximum allowable height of unit = 72

Glass Size

Width = (Unit Width ÷ 2)
 Height = Unit Ht. - 3

Metal Cuts

SC-556 tub track = Unit width - 1/16
 SC-805 towel bar = Glass width - 2 7/8
 SC-896 wall jamb = Unit ht. - 1 3/8
 SC-614 Header = Unit width - 1/16

Adjustment for Wall Conditions

± 3/16" on Both Sides