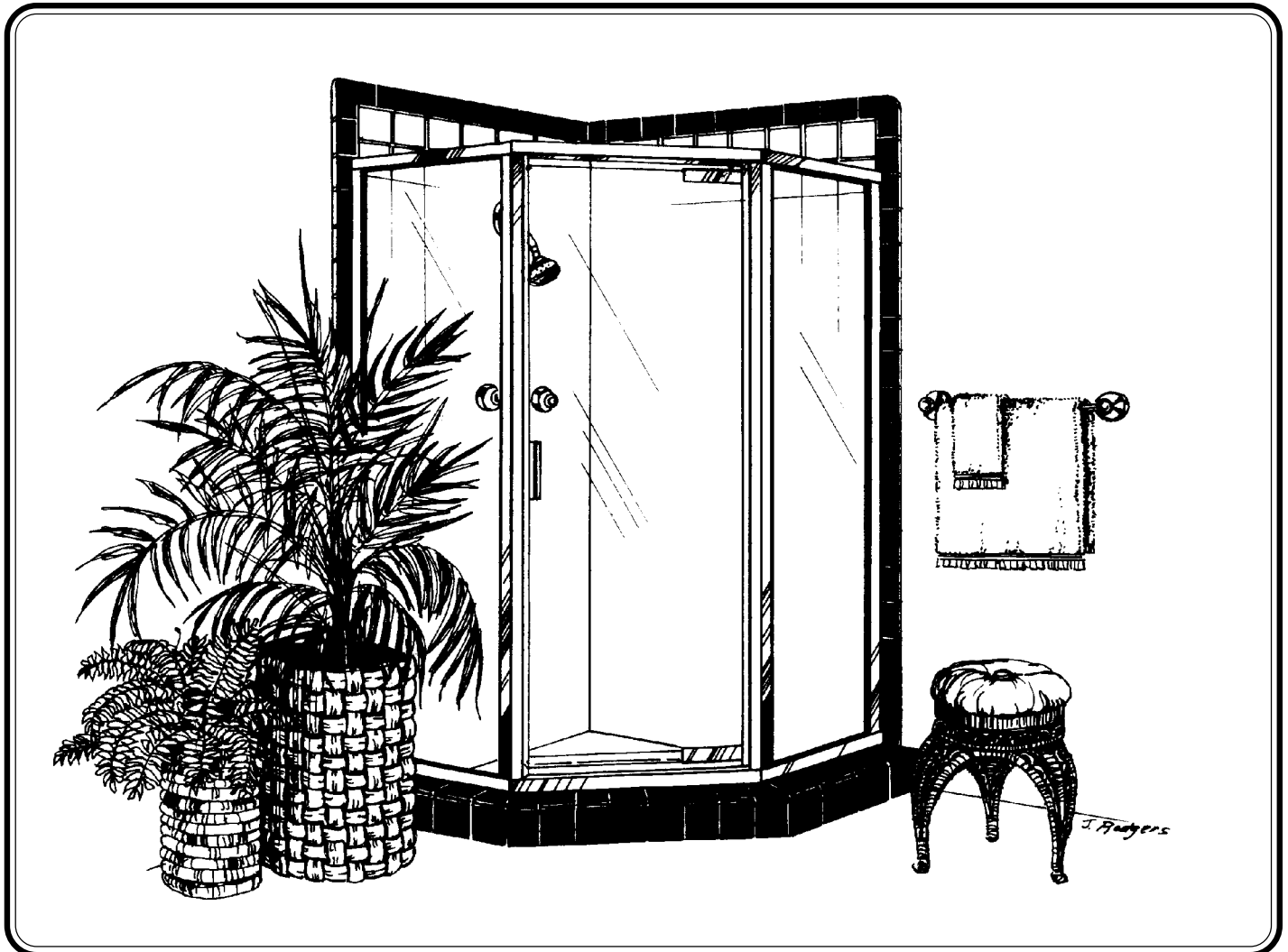


394 SERIES STIKSTALL™ SHOWER ENCLOSURE



!WARNINGS!

INSTALLATION WARNINGS

- a) Alumax Bath Enclosures by Sapa are intended to be installed by an experienced installer. If you need assistance with locating an experienced installer, contact us at 1.800.643.1514 or go to our website www.alumaxshowerdoor.com to access our "dealer locator". If a dealer is not listed in your area, call or send us an e-mail and we will find one for you.
- b) The enclosure must be properly installed per our published installation instructions. If NOT, the unit will not operate as designed which will cause hardware failure, glass breakage, leaking, other unidentified issues, and may cause nullification of warranty.
- c) Unpack your unit carefully and inspect for freight damage. Lay out and identify all parts using the instruction sheets as a reference. Before discarding the carton, check for small hardware bags that tend to fall into the bottom of the box. If any parts are damaged or missing, refer to the descriptions noted in the instructions when contacting your dealer for replacements.
- d) Before beginning installation, check the tub rim for level and both walls for plumb. If either is off more than ¼" to 3/8", you should use a tapered filler which can be used to level the tub track or plumb the wall jambs.
- e) Wear safety glasses when drilling or cutting to avoid injury to the eyes.
- f) When drilling holes in ceramic tile or marble, use a center punch and hammer to carefully break the surface glaze so the drill can start without skidding. A skidding drill can cause damage to the surface and can be dangerous (risk of personal injury).
- g) Use caution and proper technique whenever using tools to avoid damage to property and/or personal injury.

GENERAL USAGE AND HANDLING WARNINGS

- a) Shower doors are not leak-proof. They are designed to direct water to the interior of the tub or shower under normal conditions. Excessive water pressure or directing the shower head directly at the door can result in leaks.
- b) Do not hang on towel bars or handles or use them to support your weight getting in and out of the bathtub or shower. Towel bars and handles are not intended to be used as grab bars for assistance getting in and out of the shower or bathtub. They are not intended to support a person's weight and could break.
- c) Do not use excessive force when opening and closing the enclosure. Excessive force can lead to glass breakage or other damage to the enclosure. Make sure wall jamb bumpers are securely fastened in place per the installation instructions.

GLASS USAGE AND HANDLING WARNINGS

- a) **TEMPERED GLASS CANNOT BE CUT.** Attempting to cut tempered glass will result in the glass breaking or shattering.
- b) **USE CAUTION WHEN HANDLING GLASS PANELS.** Safety tempered glass is very resistant to breakage, but it can still break if unequal pressure is placed on it during installation (or if cutting of the glass is attempted). In addition, the sharp corners of the panels can damage tile and floor coverings or cause injury.
- c) **PROTECT THE EDGES OF THE GLASS.** Never let the edge of the glass come in direct contact with concrete, tile, marble or other hard surfaces that may nick, or damage the glass edge in any way as this damage may cause a delayed blow. Always check the edge of the glass for nicks, slivers, rough areas, or clam shelling. Do not install the glass if these conditions are present.
- d) Alumax Bath Enclosures by Sapa is not liable for glass breakage of any kind.

CARE AND CLEANING WARNINGS

- a) The simplest and preferred method of cleaning your unit is by washing it with clean water and drying with a soft cloth.
- b) If soil is still present after drying, a non-abrasive cleanser with a pH of seven to eight may be used. Comet Bathroom Cleaner® has been tested and is recommended by the Bath Enclosure Manufacturers Association (BEMA).
- c) Contact your dealer for more information about glass coatings that will help keep the glass clean.
- d) **DO NOT USE SCOURING PADS, SHARP INSTRUMENTS, BLEACH OR ACID-BASED CLEANSERS TO CLEAN THE UNIT AS THEY MAY DAMAGE THE UNIT.**

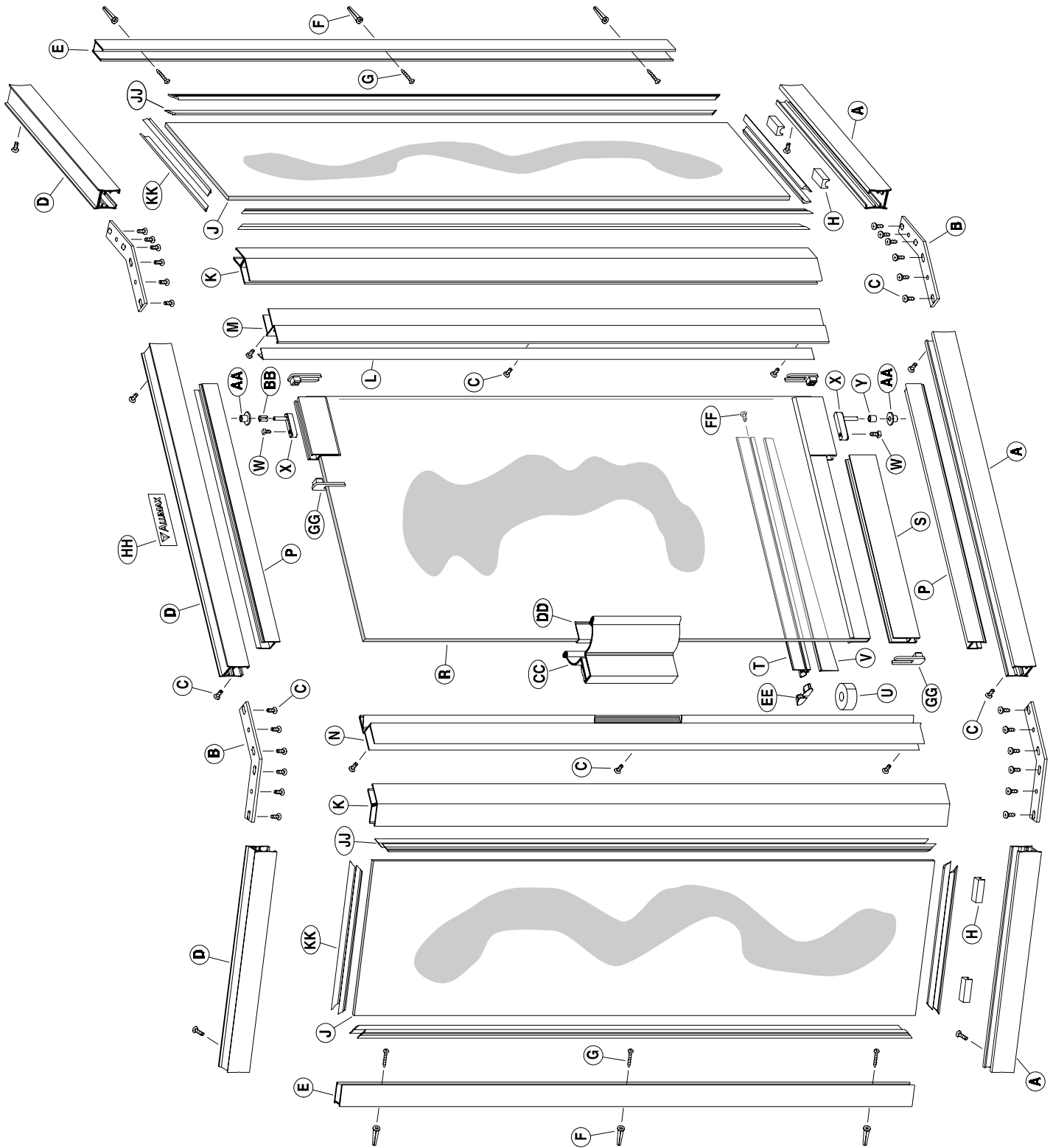
LIMITED WARRANTY

- a) Alumax Bath Enclosures by Sapa provides a LIMITED WARRANTY on material and workmanship only. Primary glass and component suppliers must be included in all warranty claims.
- b) Alumax Bath Enclosures by Sapa is not responsible for glass breakage.
- c) Products must be handled, installed and maintained per our published Warning and Installation instructions or the warranty may be nullified.
- d) The Limited Warranty applies to the original owner only, and is not transferable.
- e) Please visit our website www.alumaxshowerdoor.com or call us at 1.800.643.1514 to get copies of our published warranty, installation and warranty policies.

394 STIKSTALL PARTS LIST

- A. 3 Curb Sections (with weep slots)
- B. 4 135° Anchor Plates
- C. 48 #8 x 1/4" Truss Head Screws
- D. 3 Header Sections
- E. 2 Wall Jamb
- F. 6 Plastic Wall Anchors
- G. 6 #8 x 1 1/2" Truss Head Screws
- H. 4 Plastic Setting Blocks
- J. 2 Fixed Glass Panels
- K. 2 135° Posts
- L. 1 Clear Vinyl Pivot Jamb Seal
- M. 1 Pivot Jamb
- N. 1 Strike Jamb Assy (Magnetic)
- P. 2 Snap-in Fillers
- R. 1 Glazed Door Panel
- S. 1 Bottom Rail (See Note)
- T. 1 Drip Rail
- U. 1 Roll Double Stick Tape
- V. 1 Tapered Drip Vinyl
- W. 2 #10 x 7/16" Set Screws †
- X. 2 Pivot Blocks
- Y. 1 Nylon Spacer
- AA. 2 Nylon Pivot Bushings
- BB. 1 Security Washer
- CC. 1 Door Handle Assy
- DD. 1 Door Handle Vinyl (8")
- EE. 1 Drip Plug
- FF. 2 #6 x 3/8" Truss Head Screws
- GG. 4 Rail End Caps
- HH. 1 ALUMAX Decal
- JJ. 8 Pcs. Vert. Glazing Vinyl (72")
- KK. 4 Pcs. Horiz. Glazing Vinyl (72")

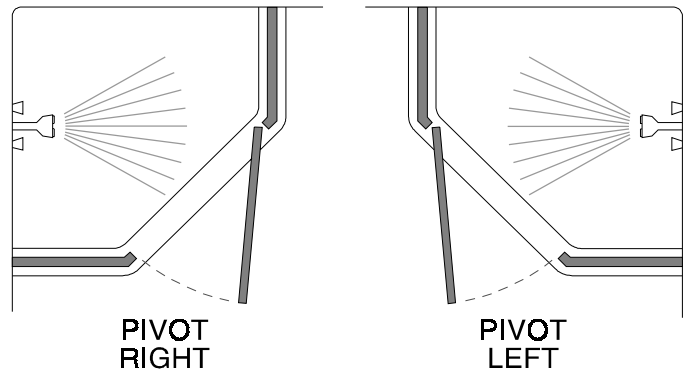
NOTE:
This exploded view is typical for a glazed unit with obscure or Deco glass. A glazed door panel with clear glass will ship with a 1-piece bottom rail already
Set screws may be pre-installed in pivot blocks.



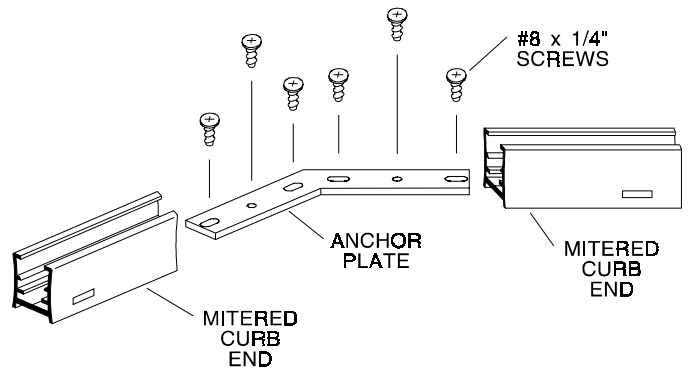
1 The ALUMAX 394 STIKSTALL Shower Enclosure is completely reversible and may be installed pivot-left or pivot-right. For maximum waterproofing, the pivot jamb should always be opposite the shower head. Using the illustration, determine the correct position for the door in your particular STIKSTALL installation. This instruction sheet depicts a pivot-right installation.

NOTE: Fixed glass panel sizes should be determined by formulas shown on ALUMAX detail sheets.

CAUTION: For safety reasons, the door panel must always open *outward*.



2 Assemble the three curb sections [A] (with weep slots) by sliding two 135° anchor plates [B] into the mitered ends and forcing the sections together. The weep slots in the curbs must be to the inside. Using the slotted holes in the anchor plates as a guide, drill matching 1/8" holes into the curbs. Secure the anchor plates to the curb assembly with eight #8 x 1/4" truss head screws [C]. As you tighten the screws, be sure the miters are forced tightly together. To increase the rigidity of the mitered joint, drill and install two more screws through the round holes in the bracket.

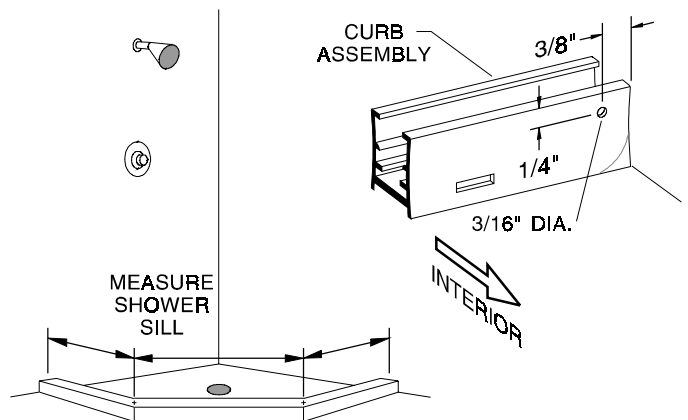


Assemble the three header sections [D] in the same manner and set the header assembly aside.

3 Measure the opening at the bottom of the shower stall and trim the ends of the curb assembly [A] (with weep slots) to fit the shower sill. The curb should sit near the centerline of the sill. If required, use a file to round the lower ends of the curb assembly to fit the shower sill properly.

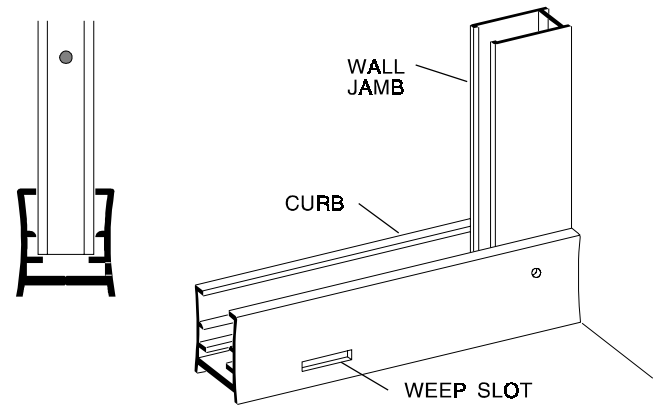
Using a 3/16" drill bit, drill the interior face of the curb assembly on both ends as shown.

Reposition the curb assembly on the shower sill and mark its position with a pencil line along the interior and exterior base.



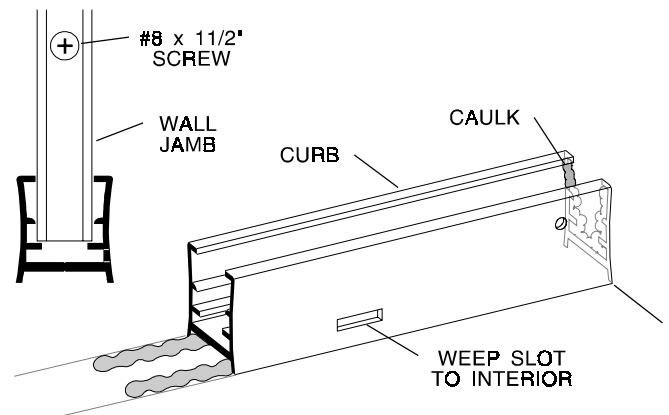
4 Place the two wall jambs [E] into the ends of the curb assembly [A]. Masking tape may be used to hold the curb in place during this operation. Plumb the jambs and mark the hole locations on the wall. Remove all parts and drill the walls for mounting hardware.

For tile or marble walls, drill six 3/16" diameter holes and insert the plastic wall anchors [F]. Attachments to fiberglass or acrylic units can be made in two ways. If a reinforcement is built into the wall of unit, drill six 1/8" holes to install mounting screws directly into the reinforcement. If walls are not reinforced, drill six 3/16" holes and install plastic wall anchors or toggle bolts (toggle bolts not supplied by ALUMAX).



5 Wipe the shower walls and sill, curb assembly [A], and wall jambs [E] with a clean, dry cloth to remove any dust or debris. Apply a 1/4" bead of caulk along the inside of both of the pencil lines marked in Step #3. Carefully replace the curb in the exact position marked. Caulk the inside of the curb ends where they meet the wall. Caulk generously around the anchor plates [B], screws [C], and the inside of the mitered joints.

Replace both wall jambs and attach to the wall with six #8 x 1 1/2" truss head screws [G].

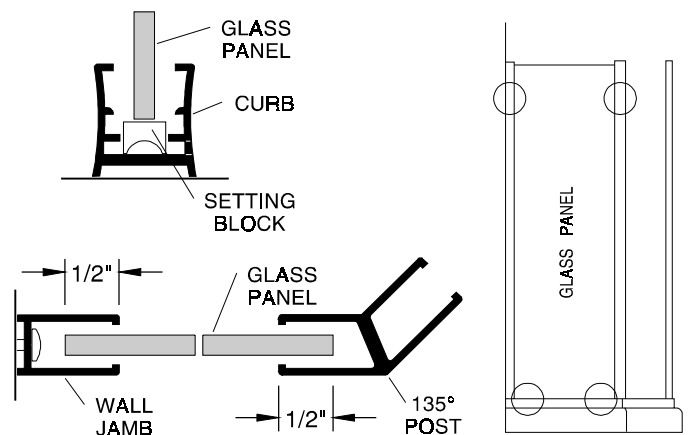


6 Place four setting blocks [H] in the curb assembly [A] to support the two fixed glass panels [J]. Position the blocks 3" from each corner of the panels. Remove any protective strips from the first glass panel and set it into place on the setting blocks and approximately 1/2" into the wall jamb [E]. A strip of masking tape 1/2" from each vertical edge of the glass will aid alignment.

NOTE: Obscure glass panels should be installed with the rough surface of the glass to the exterior of the unit. Deco etched glass panels should be installed with the patterned surface to the inside.

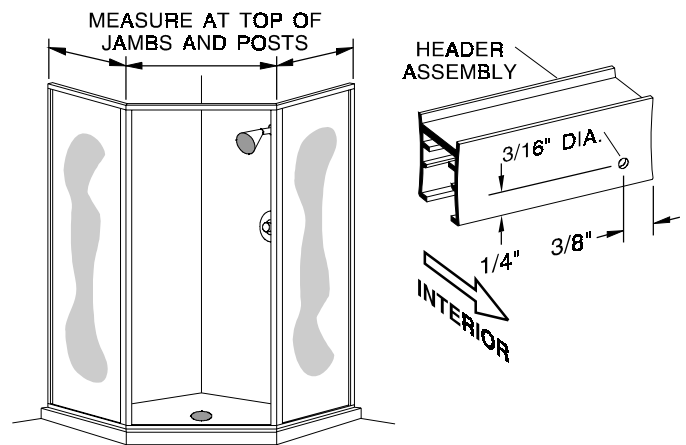
Press a 135° post [K] into the curb assembly. It should overlap the glass panel by 1/2". Use masking tape to hold the post in position temporarily. Repeat the glass and post installation on the opposite panel.

NOTE: To facilitate out of plumb walls, the 1/2" glass bite may be varied from 1/4" to 3/4".



7 Hold the two 135° posts [K] plumb and carefully measure horizontally from the top of each wall jamb [E] to the outside edge of the posts. Add 3/16" to each measurement to find the corresponding dimension on the header assembly [D] (from the outside mitered edge to the squared ends) and trim the header assembly to fit.

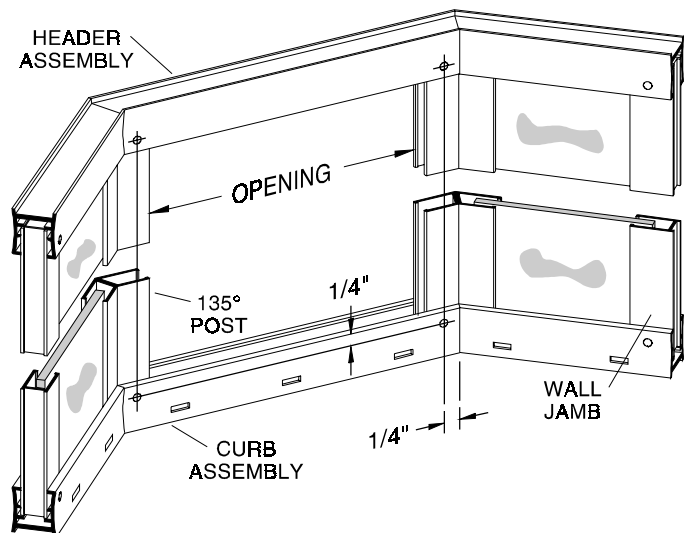
Using a 3/16" drill bit, drill the interior face of the header assembly on both ends as shown.



8 Press the header assembly [D] over the wall jambs [E] and the 135° posts [K]. Check the posts for plumb. Adjust as required by varying the overlap of the header over the wall jambs. You may need to trim the ends of the header where it meets the wall. The minimum horizontal dimension for the door opening is the door panel width (see the graphic in Step #9) plus 1/2", maximum is the door panel width plus 1 3/4".

Using the holes in the ends of the header and curb as a guide, drill four 1/8" holes into the wall jambs. Drill four holes thru the header and curb into the two posts as shown, then enlarge the outer holes with a 3/16" drill for clearance on the self-tapping screws. Secure the header and curb to the wall jambs and posts with eight #8 x 1/4" truss head screws [C].

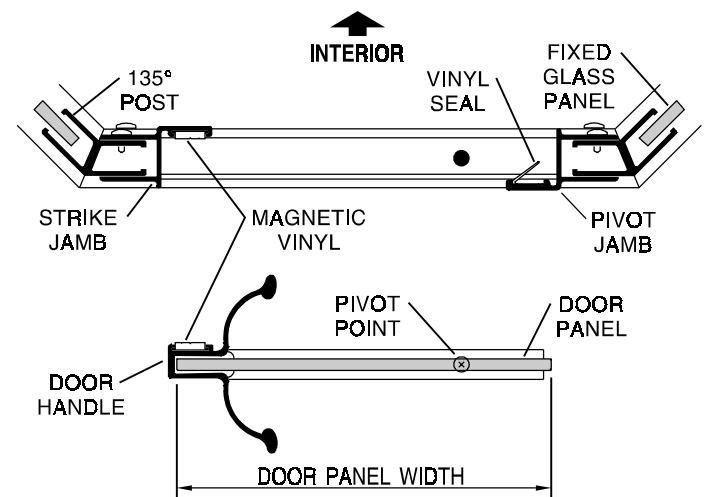
CAUTION: Slide glass panels [J] away from the jamb or posts before drilling to prevent damage or breakage.



9 Slide the clear vinyl jamb seal [L] into the pivot jamb [M] and trim flush at both ends. The vinyl should be turned to trap water from the shower head. Secure the vinyl with a small quantity of glue or caulk at each end or by carefully crimping the vinyl pocket.

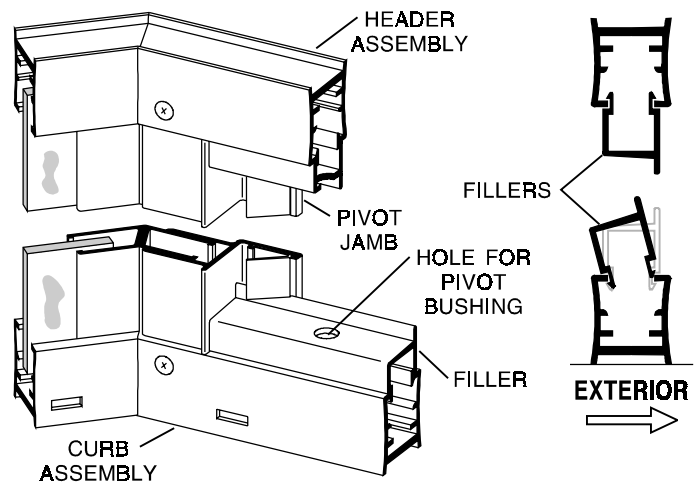
Press the pivot jamb and the strike jamb assembly [N] (with magnetic strip) over the two 135° posts [K]. Refer to Step #1 for the proper handing of the door.

NOTE: The magnetic strip on the strike jamb must face the exterior and the clear vinyl jamb seal on the pivot jamb must face inward.



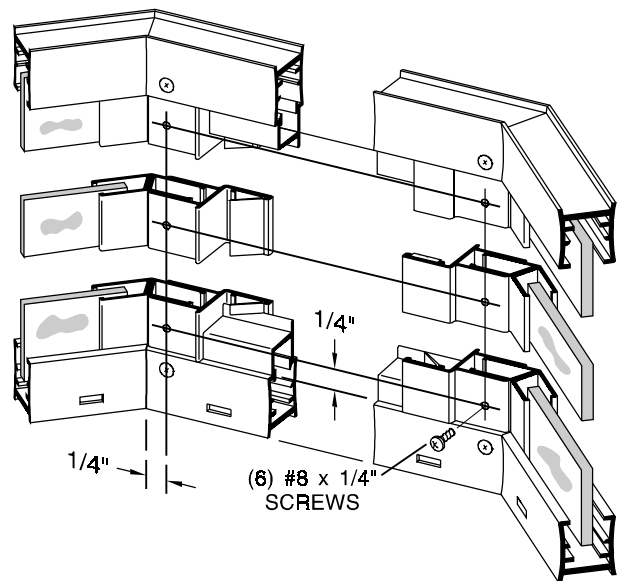
10 Snap the fillers [P] into the curb assembly [A] and header assembly [D] between the door jambs with the raised lip to the exterior and the pivot holes toward the pivot jamb. Center the curb filler in the curb between the pivot and strike jamb (use masking tape to hold in position).

NOTE: The snap-in fillers should be exactly 3/8" longer than the door panel glass width.



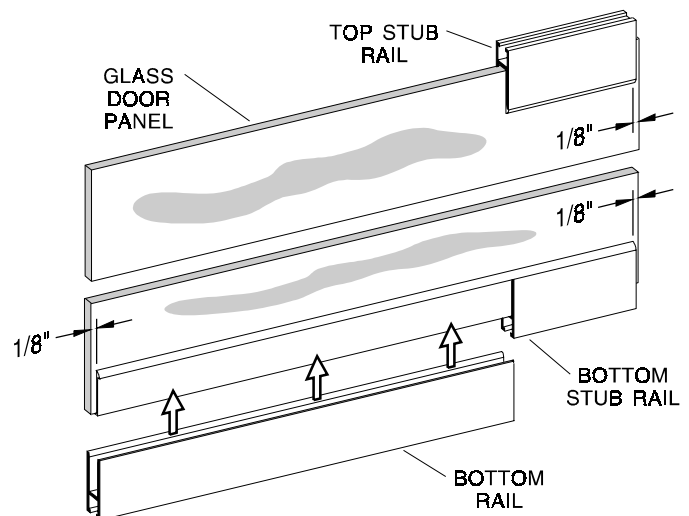
11 Pull the bottom end of the pivot jamb [M] tight to the curb filler [P] and plumb the jamb. Drill two 1/8" holes thru the pivot jamb and into the 135° post [K] in line with the screws in the head and curb and approximately 1/4" from the ends of the jamb. Drill a third hole centered between the first two, then enlarge the three outer holes with a 3/16" drill for clearance on the self-tapping screws. Attach the pivot jamb permanently with three #8 x 1/4" truss head screws [C].

Slide the header filler [P] tight against the pivot jamb. Push the strike jamb [N] tight against the fillers top and bottom. With the pivot jamb plumb and both fillers tight between the two door jambs, the strike jamb also will be plumb and parallel to the pivot jamb. Attach the strike jamb to the other 135° post [K] in the same manner as the pivot jamb.



12 NOTE: Obscure glass doors should be installed with the rough surface of the glass to the exterior of the unit. Deco or etched glass doors should be installed with the patterned surface to the inside.

Glazed door panels [R] with obscure or Deco glass will have short rails installed with full width vinyl on both ends. Determine which end will be the bottom. Using a mallet or a hammer and wood block (never a hammer alone), carefully drive the bottom rail [S] over the bottom edge of the glass and vinyl, snug to the factory installed rail. Both rails should be set back 1/8" from the pivot edge of the door and the bottom rail should end 1/8" from the strike edge. Trim the excess vinyl even with the ends of the rails.

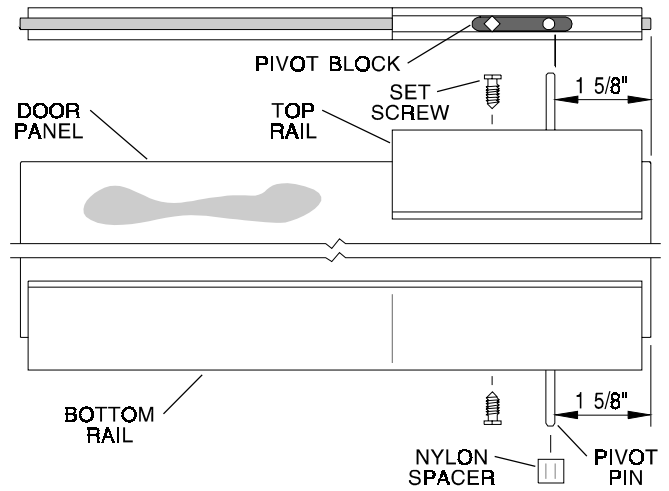


13

Thread the two #10-24 x 7/16" square head set screws [W] into the tapped holes in the pivot blocks [X] (pivot blocks may be pre-assembled). Slide the pivot blocks into the top and bottom rails of the glazed door panel [R] with the stainless steel pins toward the pivot side of the door (see detail).

Position the pivot pins 1 5/8" from the pivot edge of the door panel. Tighten the set screws just enough to prevent the pivot blocks from moving (finger tight plus a quarter turn). A 1/4" wrench (not supplied by ALUMAX) will fit the set screw heads.

Press the white nylon spacer [Y] over the bottom pivot pin on the door panel.

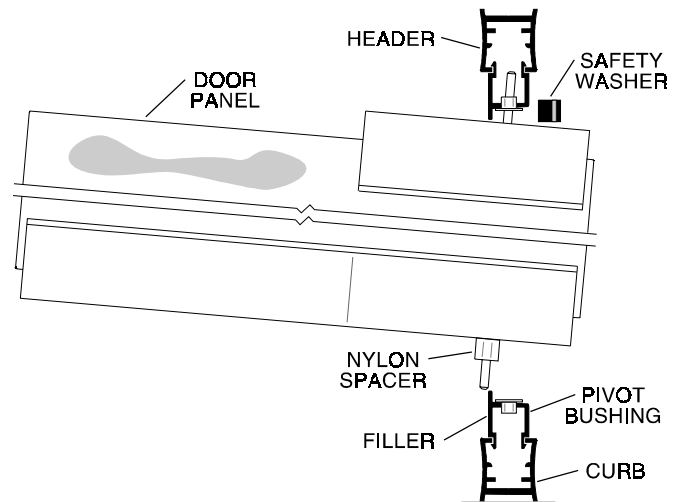


14

Insert the two nylon pivot bushings [AA] into the pivot holes in the head and curb fillers [P].

Lift the door panel [R] and insert the top pivot pin into the pivot bushing in the header filler. Hold the door vertical and insert the bottom pivot pin into the pivot bushing in the curb filler. It may be necessary to remove the header retaining screws and raise the header slightly to install the door.

When the door has been set into place, snap the security washer [BB] over the top pivot pin to hold the upper pivot bushing in place and prevent accidental dislodging of the door.

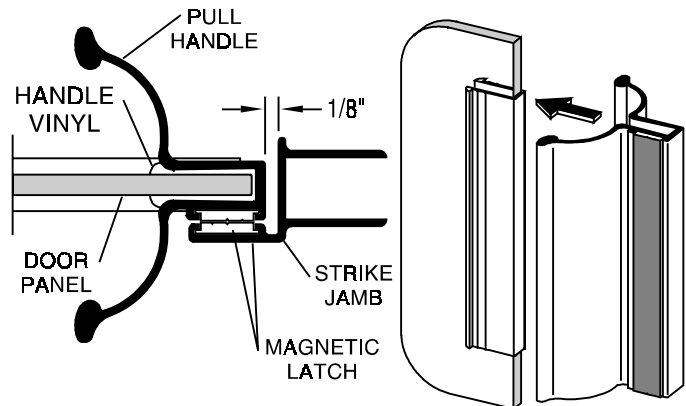


15

Slide the door handle [CC] with magnet onto the strike edge of the door panel [R]. Close the door and slide the handle up or down until the two magnetic strips are aligned. Use a pencil or masking tape to mark the top and bottom edges of the door handle on the door.

Slip the door handle vinyl [DD] over the door between the marks and carefully drive the door handle onto the door panel. Spraying glass cleaner or water onto the vinyl and handle will make assembly easier.

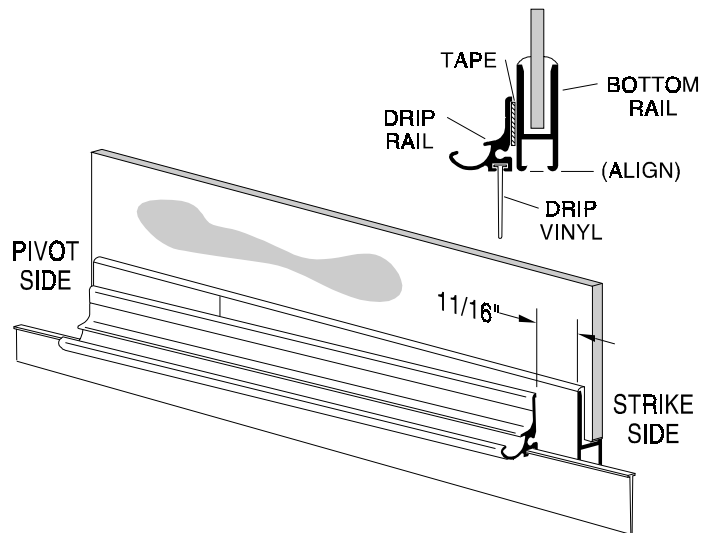
Close the door and check the clearance with the strike jamb. If necessary, loosen the set screws [W] on the top & bottom pivot blocks [X] and adjust the door panel to align the strike magnets. When the door panel is properly aligned, tighten the set screws securely.



16

Cut the drip rail [T] to the length of the bottom rail minus $1\frac{1}{16}$ ". Clean the interior face of the bottom door rail and the flat side of the drip rail thoroughly to ensure proper adhesion of the double stick tape [U]. Unroll the tape and carefully attach it to the back of the drip rail (do not peel the tape backing yet).

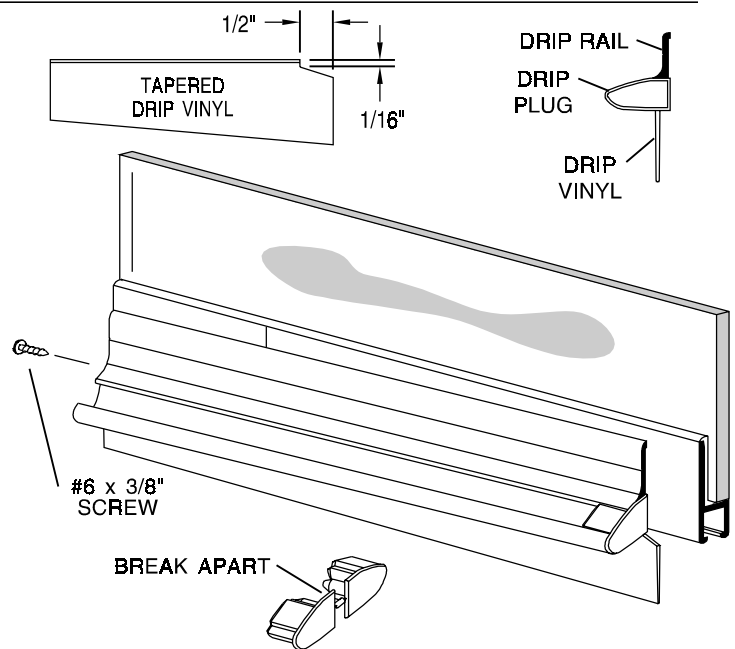
Insert the tapered drip vinyl [V] into the drip rail. Position the drip rail flush with the bottom and pivot side of the bottom door rail, then raise the strike side until the bottom edge of the drip vinyl is parallel to the bottom of the door. Mark the location of each end of the drip rail.



17

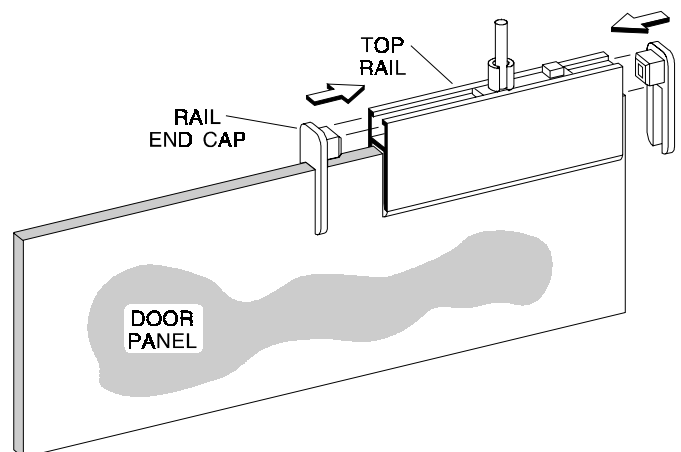
Adjust the drip vinyl [V] by sliding it left or right until it just touches the curb. Trim the vinyl (flush with the pivot end and notch $\frac{1}{2}$ " longer than the drip rail as shown on the strike end). Secure it with one #6 x $\frac{3}{8}$ " truss head screw [FF] in the pivot end of the drip rail [T].

The drip plug [EE] is supplied with a left and right hand plug together. Break the right and left drip plug apart and insert the appropriate plug into the high (strike) side of the drip rail. Discard the unused drip plug. Peel off the tape backing and carefully press the drip rail to the door in the marked position.

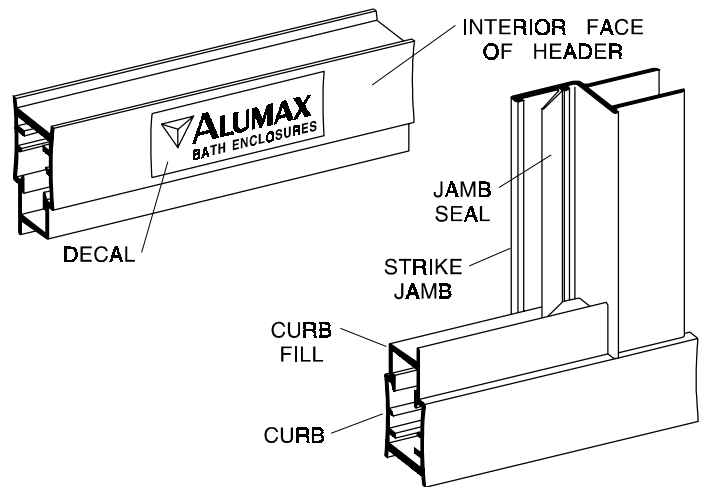


18

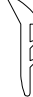



Press the four rail end caps [GG] into the ends of the top and bottom door rails.



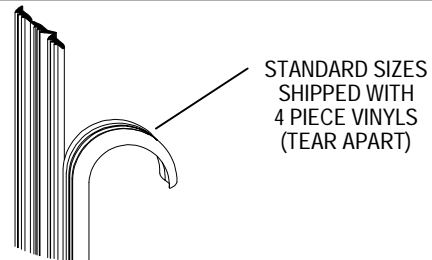
19 Peel off the backing on the ALUMAX decal [HH] and apply to the inside surface of the header. Trim the flap on the clear vinyl strike jamb seal to clear the bottom door rail.



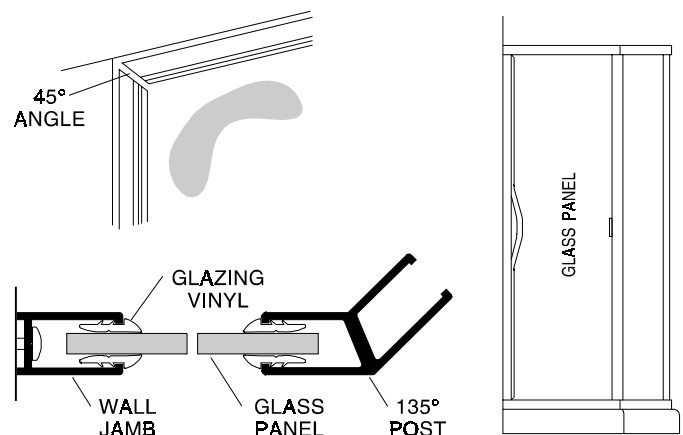
20 Inspect the pieces of black glazing vinyl, and note the two different profiles. The smaller shape [JJ] is installed vertically and the larger shape [KK] is installed horizontally. For structural strength and maximum water resistance, these vinyls are designed to fit tightly between the glass and framing. To speed installation, use glass cleaner for lubrication and a small block of wood to press the vinyl into place.

| FIXED GLASS PANEL | VERTICAL | HORIZONTAL |
|-----------------------|--|--|
| 1/4" GLASS REQUIRES: | V-219  | V-220  |
| 3/16" GLASS REQUIRES: | V-226 NOTCH  | V-225 NOTCH  |

NOTE: These glazing vinyls have been pre-lubricated with a water-based silicone compound. Wash hands thoroughly after glazing and avoid contact with eyes or mouth.



21 Cut eight pieces of the smaller vinyl [JJ] 1" longer than the vertical opening (to prevent gapping from shrinkage) and trim the ends on a 45° angle. Using the masking tape guides, center the first glass panel [J] in the frame. Cut four short (1" - 2") pieces of the small vinyl and press into the jamb and post on each side to hold the glass temporarily.



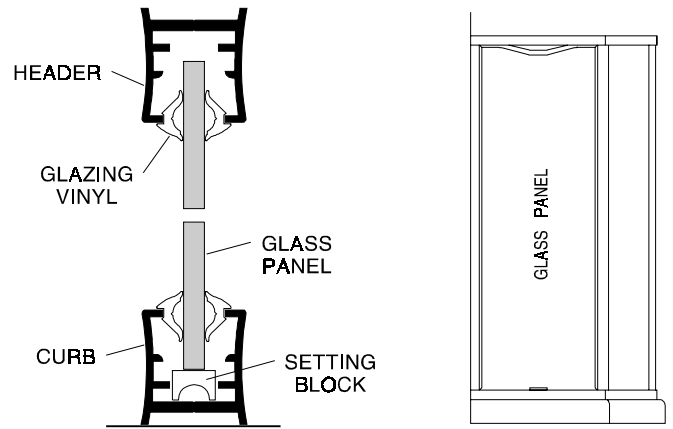
Take one of the long pieces of vinyl, and starting on the outside exterior jamb, press each end into the frame and work toward the middle. Be careful not to stretch the vinyl. Install the other three pieces in a similar fashion.

Repeat for the second glass panel.

22 Cut eight pieces of the larger vinyl [KK] 1/2" longer than the horizontal opening and trim the ends on a 45° angle. Install the top exterior vinyl starting at both ends and working toward the middle. Be careful not to stretch the vinyl.

Install the top interior vinyl and the two bottom vinyls in the same way.

Repeat for the second glass panel.



23 Carefully caulk the interior jamb-to-wall and curb-to-base joints. For appearance, you may wish to caulk the exterior joints as well. We recommend you wait twenty-four hours before the first shower to allow the caulking to cure properly.

