

# 640D & 650D SERIES FRAMED BYPASS BATH ENCLOSURES



## Three-Year Limited Residential Warranty

Alumax Bath Enclosures by Hydro is pleased to warrant to its dealers and residential customers that the products supplied by it shall be free from defects in material and workmanship for three (3) years from purchase of the product, provided they are installed and maintained according to the manufacturer's recommended practices and installation instructions.<sup>1</sup> The Alumax Limited Warranty applies to the original residential owner only, and is not transferable.

**Proof of Purchase and/or Registration of the product required for warranty coverage.  
Registration instructions accompany the product or available at [www.alumaxshowerdoor.com](http://www.alumaxshowerdoor.com).**

### What Will Alumax Do?

Alumax will repair or replace, at its discretion, any product found to be defective in material or workmanship during the applicable warranty period. Labor is not included. In the case of discontinued products subject to warranty coverage, Alumax reserves the right to substitute comparable product of equivalent function.

### What is Not Covered?

This limited warranty applies only to materials and workmanship supplied by Alumax. This limited warranty does not cover glass (claims of glass breakage are excluded) or outside fabrication provided by others. It excludes all wear items and does not cover defects caused by improper installation of the product. Laws and building and safety codes governing the design and use of bathrooms vary widely. Alumax does not control the selection of product, configurations, operating hardware or glazing materials, and assumes no responsibility for such.

**ALUMAX DOES NOT MAKE ANY OTHER REPRESENTATIONS OR WARRANTIES, EXPRESS OR IMPLIED, INCLUDING, BUT NOT LIMITED TO, ANY IMPLIED WARRANTY OF MERCHANTABILITY OR ANY IMPLIED WARRANTY OF FITNESS FOR A PARTICULAR PURPOSE. TO THE EXTENT ANY IMPLIED WARRANTIES ARE IMPLIED UNDER STATE LAW, SUCH WARRANTIES ARE LIMITED TO THE DURATION OF THE APPLICABLE LIMITED WARRANTY TIME FRAME OF THREE (3) YEARS.**

**IN NO EVENT SHALL ALUMAX BE LIABLE FOR SPECIAL, DIRECT, INDIRECT, OR CONSEQUENTIAL DAMAGES, INCLUDING, BUT NOT LIMITED TO, LOSS OF USE OR PROFITS, PERSONAL INJURY, OR DAMAGE TO OTHER PROPERTY.**

Some states do not allow the exclusion or limitation of implied warranties, or the exclusion or limitation of special, incidental or consequential damages, therefore these limitations and exclusions may not apply to you.

This warranty gives you specific legal rights, and you may also have other rights which vary from state to state.

### How do You Get Warranty Assistance?

To make a claim under the terms of this Limited Warranty, contact your local Alumax Dealer or call or write Alumax Consumer Service at 800-643-1514, 248 W. Greene St., Magnolia, AR 71753. Proof of Purchase and/or Registration of the product is required for warranty coverage.

---

<sup>1</sup> The manufacturer's recommended practices and installation instructions are available at [www.alumaxshowerdoor.com](http://www.alumaxshowerdoor.com), by contacting your local Alumax Dealer, or by calling or writing Alumax Customer Service at 800-643-1514, 248 W. Greene St., Magnolia, AR 71753.

## **!WARNINGS!**

Alumax Bath Enclosures by Hydro are intended to be installed by experienced installers. If you need assistance with installation, or locating an experienced installer, contact Alumax Consumer Service at 800-643-1514 or go to our website at [www.alumaxbathenclosure.com](http://www.alumaxbathenclosure.com) to access our "dealer locator". Ensure that the bath enclosure is installed appropriately. Improper installation can lead to hardware failure, glass breakage, leaking, other unidentified issues, and may cause nullification of warranty.

Wear safety glasses when drilling or cutting to avoid injury to the eyes.

When drilling holes in ceramic tile or marble, use a center punch and hammer to carefully break the surface glaze so the drill can start without skidding. A skidding drill can cause damage to the surface and can be dangerous (risk of personal injury).

Use caution and proper technique whenever using tools to avoid damage to property and/or personal injury.

Shower doors are not leak-proof. They are designed to prevent leaks under normal shower conditions. Excessive water pressure or directing the shower directly at the door can result in leaks.

Do not hang on towel bars or handles or use them to support your weight getting in and out of the bathtub or shower. Towel bars and handles are not intended to be used as grab bars for assistance getting in and out of the shower or bathtub. They are not intended to support a person's weight and could break.

Do not use excessive force when opening and closing shower doors. Excessive force could lead to glass breakage or other damage to the enclosure.

***Contact your dealer for all warranty repair(s). This includes loose screws, broken parts, missing parts, glass replacement or any other product concern. Additionally, if the door does not open or close properly, contact your dealer to inspect the door and to make adjustments if required. Do NOT try to make any repairs or adjustments to the unit.***

## **!GLASS WARNINGS!**

TEMPERED GLASS CANNOT BE CUT. Attempting to cut tempered glass will result in the glass breaking or shattering.

PROTECT THE EDGES OF THE GLASS. Never let the edge of the glass come in direct contact with concrete, tile, marble or other hard surfaces that may nick, or damage the glass edge in any way as this damage may cause a delayed blow. Always check the edge of the glass for nicks, slivers, rough areas, or clam shelling. Do not install the glass if these conditions are present.

USE CAUTION WHEN HANDLING GLASS PANELS. Safety tempered glass is very resistant to breakage, but it can still break if unequal pressure is placed on it during installation (or if cutting of the glass is attempted). In addition, the sharp corners of the panels can damage tile and floor coverings or cause injury.

Alumax Bath Enclosures by Hydro is not liable for glass breakage of any kind.

## **BEFORE BEGINNING INSTALLATION**

Unpack your unit carefully and inspect for freight damage. Lay out and identify all parts using the instruction sheets as a reference. Before discarding the carton, check for small hardware bags that tend to fall into the bottom of the box. If any parts are damaged or missing, refer to the descriptions noted in the instructions when contacting your dealer for replacements.

To install your bath enclosure, you will need the following: tape measure, level, #2 Phillips screwdriver, flat screwdriver, drill, 1/8", 7/64" and 3/16" drill bits, hacksaw, pencil, and caulking (clear silicone recommended). Optional tools include a miter box for cutting parts to length, files, center punch and masking tape.

NOTE: Before beginning installation, check the tub rim for level and both walls for plumb. If either are off more than ¼" to 3/8", you may want to contact your dealer for tapered fillers which can be used to level the tub track or plumb the wall jams.

## **CARE AND CLEANING**

The simplest and preferred method of cleaning your unit is by washing it with clean water and drying with a soft cloth.

If soil is still present after drying, a non-abrasive cleanser with a pH of seven to eight may be used. Comet Bathroom Cleaner® has been tested and is recommended by the Bath Enclosure Manufacturers Association (BEMA).

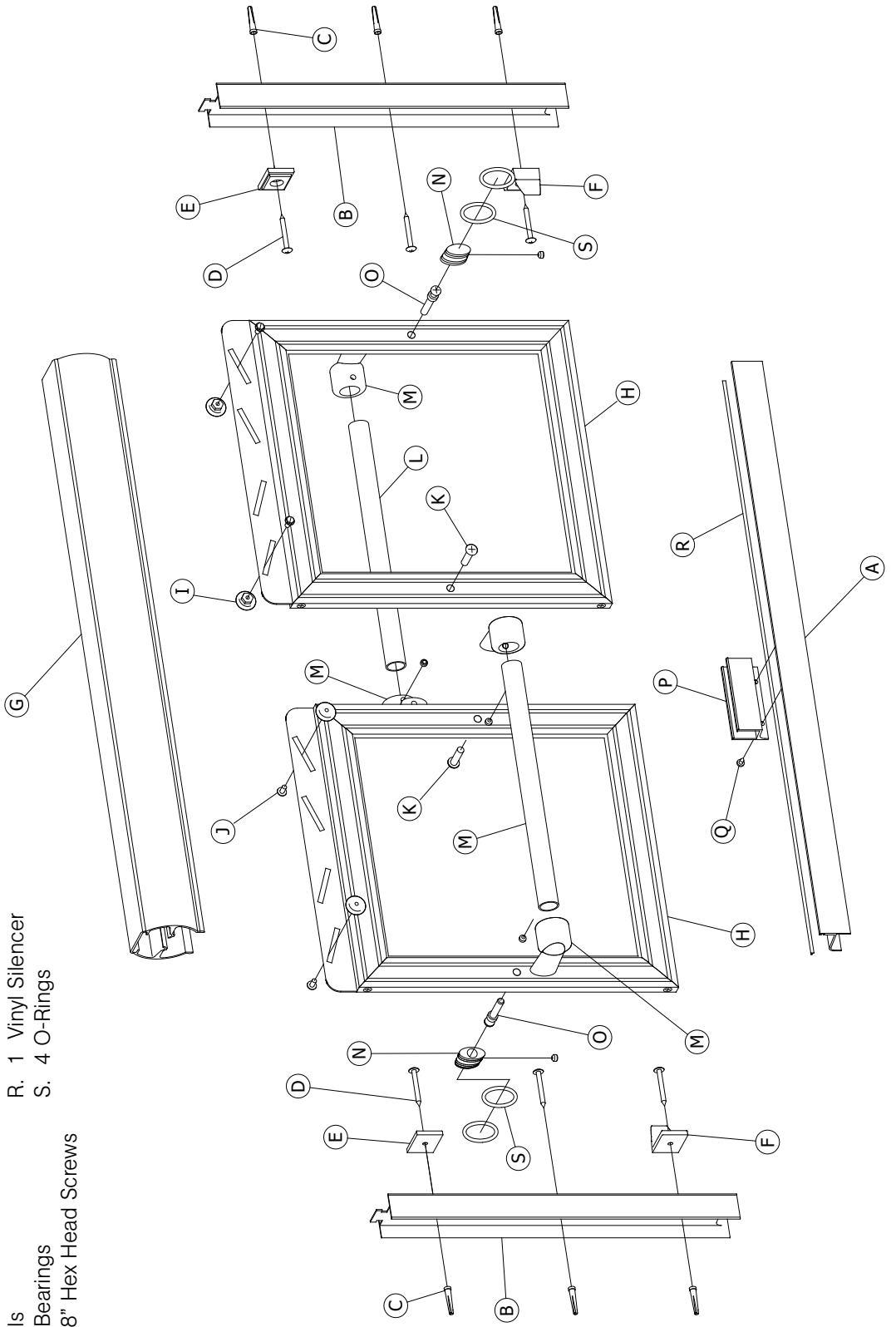
Contact your dealer for more information about glass coatings that will help keep the glass clean.

**DO NOT USE SCOURING PADS, SHARP INSTRUMENTS, BLEACH OR ACID-BASED CLEANSERS TO CLEAN THE UNIT AS THEY MAY DAMAGE THE UNIT.**

# 640D/650D Parts List

- A. 1 Tub Track
- B. 2 Wall Jamb
- C. 6 Plastic Wall Anchors
- D. 6 #8 x 1 1/2" Truss Head Screws
- E. 2 Top Jamb Bumper
- F. 2 Bottom Jamb Bumper
- G. 1 Header
- H. 4 Glazed Panels
- I. 4 Nylon Roller Bearings
- J. 4 #8 - 32 x 3/8" Hex Head Screws

- K. 2 Special 1/4 - 20 x 1 Phill FH Screws
- L. 2 Towel Bar
- M. 4 Towel Bar Brackets W/Set Screws
- N. 2 Finger Pulls W/Set Screw
- O. 2 1 3/4" Tapered Pin
- P. 1 Bottom Guide
- Q. 2 #6 x 3/8" Truss Head Screws
- R. 1 Vinyl Silencer
- S. 4 O-Rings



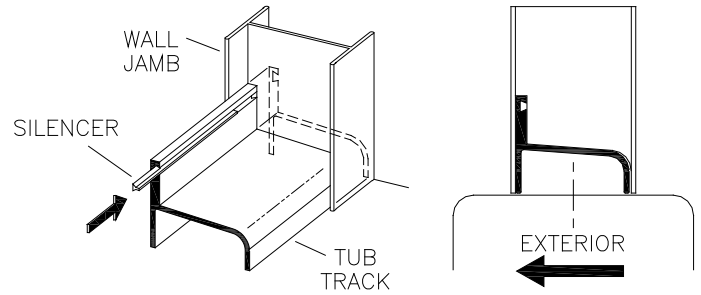
---

---

**1** Measure the wall-to-wall opening at the center of the tub rim. Cut the tub track **[A]** 1/16" short of this dimension. An inexpensive miter box (available at your local hardware store) will help you get clean, square cuts. If the vinyl silencer **[R]** is separate from the tub track **[A]**, slide the vinyl silencer into the slot in the tub track and trim excess silencer material.

Position the tub track **[A]** in the center of the tub rim with the tall leg to the exterior. It may be necessary to file a radius on the ends of the tub track **[A]** and wall jambs **[B]** to match the corners of the enclosure.

Press both wall jambs **[B]** into position over the tub track **[A]**. Masking tape can be used to temporarily hold the parts in place.



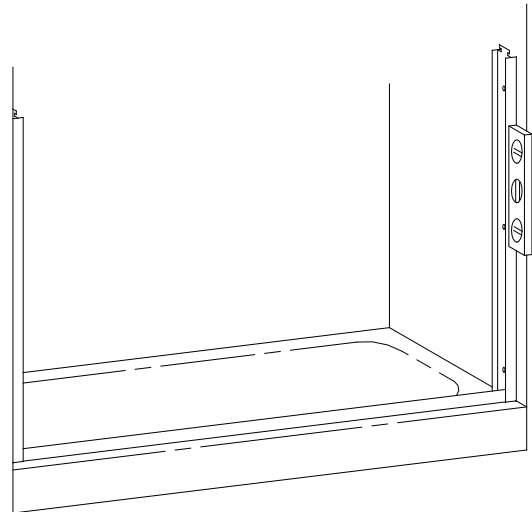
---

---

**2** Use a level to plumb both wall jambs **[B]**, then mark the pre-drilled hole locations on the wall. Lightly mark along both sides of the tub track **[A]** with a pencil, and then remove all parts.

For tile or marble walls, drill six 3/16" diameter holes and insert the plastic wall anchors **[C]**. Attachment to fiberglass or acrylic units can be made in 2 ways. If reinforcement is built into the unit, drill six 1/8" holes and install the mounting screws directly into the reinforcement. If the walls are not reinforced, drill six 3/16" holes and install plastic wall anchors **[C]** or toggle bolts (toggle bolts not supplied by Alumax).

**CAUTION:** The track **[A]** should never be screwed to the tub. This will damage the tub and cause leaking.

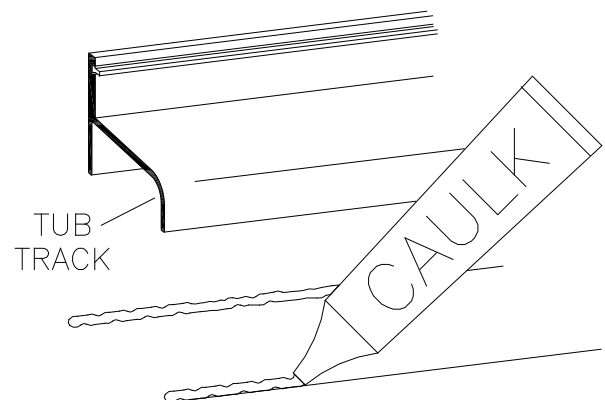


---

---

**3** Before replacing the tub track **[A]**, force a small downward bow into the extrusion. This will ensure the tub track **[A]** fits tight to the tub. Run 2 beads of caulk inside the penciled marks on the tub rim. Place the tub track **[A]** in the exact position marked in step #2 and seat it firmly in the caulking.

**NOTE:** Improper caulking will result in leaks.

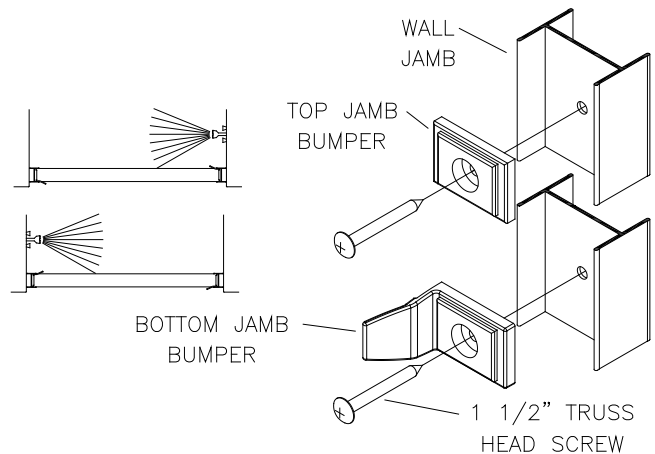


## 4

Replace one wall jamb **[B]** and attach to the wall with a #8 x 1 1/2" truss head screw **[D]** through the middle hole. Place a #8 x 1 1/2" truss head screw **[D]** through one of the top jamb bumpers **[E]** and attach through the top hole.

For proper orientation of the bottom jamb bumper **[F]** refer to the detail, and note that the one on the wall jamb closest to the shower head, the lip is turned to the interior of the enclosure, and that the other one is turned to the exterior. Attach the bottom jamb bumper **[F]** with a #8 x 1 1/2" truss head screw **[D]**.

**NOTE:** Do not over tighten the screws.

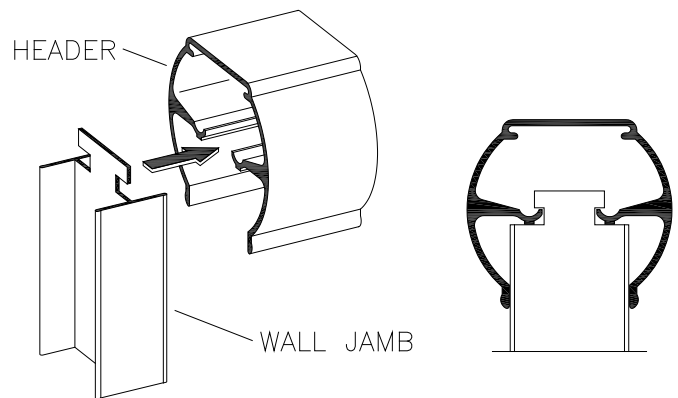


## 5

This Bath enclosure is equipped with safety tee-lock wall jamba. When properly installed, the header is permanently locked to the wall jamba and cannot be accidentally dislodged.

Measure the wall-to-wall opening at the top of the wall jamba **[B]** and cut the header **[G]** 1/16" short of this dimension. Check the header **[G]** for fit.

Slide the safety tee-lock of the un-mounted wall jamb **[B]** into the end of the header **[G]**. The header is reversible so that either face may be turned to the exterior of the unit. Holding the header **[G]** at an angle, engage the other end into the safety tee-lock of the mounted wall jamb. Pivot the header **[G]** into place, slide the loose wall jamb **[B]** to the wall and press into position over the tub track **[A]**. Mount the wall jamb **[B]** to the wall as described in step #4, taking note of the orientation of the bottom jamb bumper **[F]**.



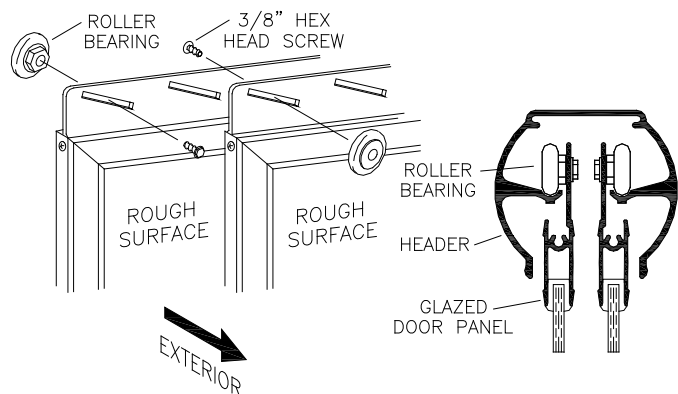
## 6

**NOTE:** Obscure glass doors should be installed with the rough surface of the glass to the exterior of the unit. Deco or etched glass doors should be installed with the patterned surface to the interior.

On doors with obscure or etched glass there is an interior and exterior glazed door panel **[H]** as determined by the position of the top bearing fin. Door panels with clear glass are interchangeable.

Attach the 4 nylon roller bearings **[I]** to the door panels as shown, using #8-32 x 3/8" hex head screws **[J]** centered in the outside slots in the top bearing fins.

**NOTE:** The #8-32 x 3/8" hex washer head screw **[J]** used to attach the roller to the hanger bracket should be torqued to 25 in-lbs.



---

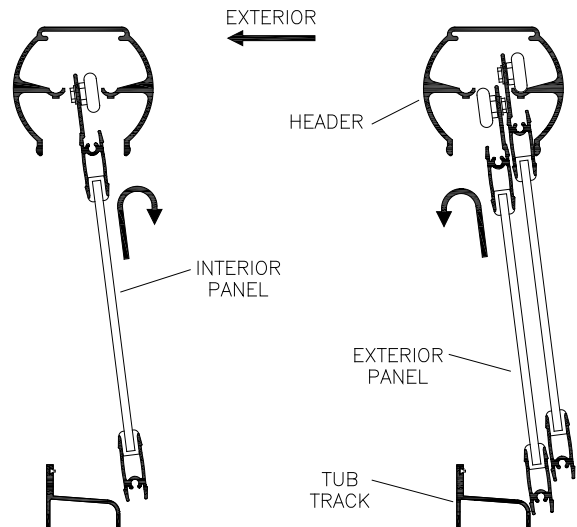
---

# 7

Lift the interior glazed panel (with the rough surface closest to the fin) into position with the rollers engaging the roller slot in the header **[G]**.

Repeat for the exterior panel (rough surface away from the fin).

If the door panels **[H]** are not parallel to the wall jams, remove them and adjust the bearings up or down to compensate.

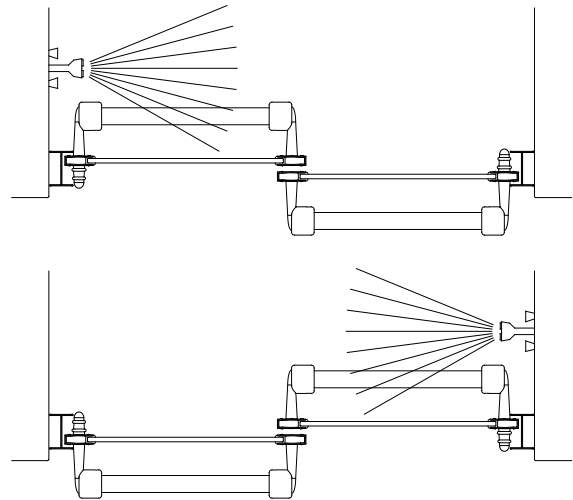


---

---

# 8

Before finishing the installation it is necessary to determine the proper closed position of the glazed door panels **[H]**. For maximum water proofing, place the interior panel closest to the shower head as shown in the detail.

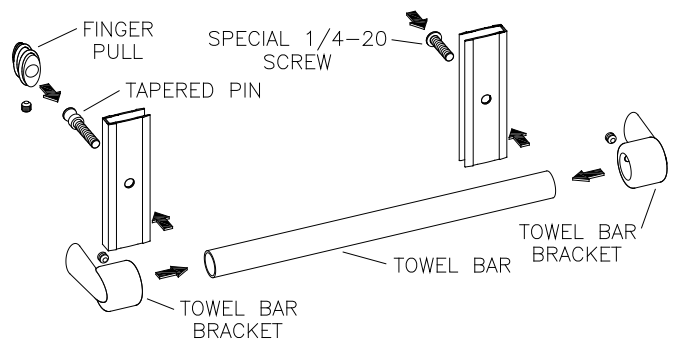


---

---

# 9

On the interior panel, loosely install a towel bar bracket **[M]** to the vertical rail that is to the middle of the unit, in the closed position, using a special 1/4-20 x 1" phil FH screw **[K]**. Place a towel bar **[L]** into the mounted towel bar bracket **[M]** and install the remaining towel bar bracket onto the other side of the panel using the 1 3/4" tapered pin **[O]**. Tighten both fasteners and the set screws that hold the towel bar. Place a finger pull **[N]** over the tapered pin **[O]**, with the set screw on the bottom and tighten the set screw. Install the o-rings **[S]** onto the finger pull if they are not already in place. Repeat for the exterior panel.

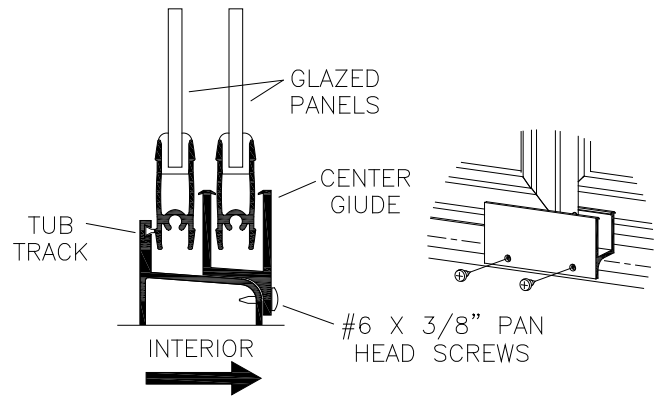


---

---

# 10

Locate the bottom guide **[P]** in the middle of the tub track **[A]**. With a 7/64" bit, drill two holes into the v-groove through the mounting holes in the guide. Install the bottom guide with two #6 x 3/8" truss head screws **[Q]** through the drilled holes as shown.



---

---

# 11

Caulk both ends of the tub track **[A]** where it meets the wall jambs **[B]** and the interior edge of the wall jambs as shown. Run a bead of caulking along the interior of the tub track.

**NOTE:** We recommend that you let the caulk cure for 24 hours before you use your new enclosure.

