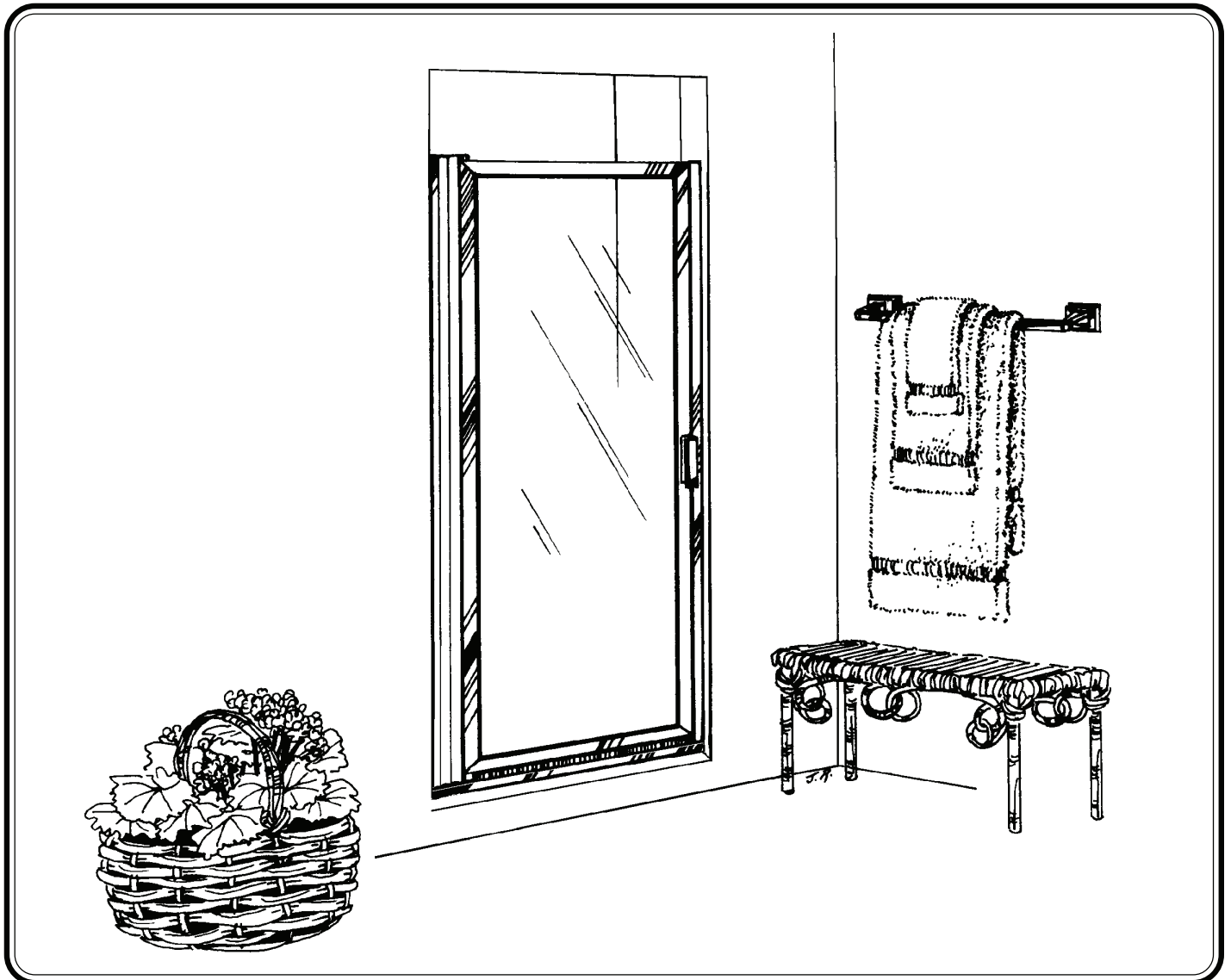


Tel: 800-643-1514



www.alumaxshowerdoor.com

738 SERIES PIVOT SHOWER DOOR



!WARNINGS!

INSTALLATION WARNINGS

- a) Alumax Bath Enclosures by Sapa are intended to be installed by an experienced installer. If you need assistance with locating an experienced installer, contact us at 1.800.643.1514 or go to our website www.alumaxshowerdoor.com to access our "dealer locator". If a dealer is not listed in your area, call or send us an e-mail and we will find one for you.
- b) The enclosure must be properly installed per our published installation instructions. If NOT, the unit will not operate as designed which will cause hardware failure, glass breakage, leaking, other unidentified issues, and may cause nullification of warranty.
- c) Unpack your unit carefully and inspect for freight damage. Lay out and identify all parts using the instruction sheets as a reference. Before discarding the carton, check for small hardware bags that tend to fall into the bottom of the box. If any parts are damaged or missing, refer to the descriptions noted in the instructions when contacting your dealer for replacements.
- d) Before beginning installation, check the tub rim for level and both walls for plumb. If either is off more than ¼" to 3/8", you should use a tapered filler which can be used to level the tub track or plumb the wall jambs.
- e) Wear safety glasses when drilling or cutting to avoid injury to the eyes.
- f) When drilling holes in ceramic tile or marble, use a center punch and hammer to carefully break the surface glaze so the drill can start without skidding. A skidding drill can cause damage to the surface and can be dangerous (risk of personal injury).
- g) Use caution and proper technique whenever using tools to avoid damage to property and/or personal injury.

GENERAL USAGE AND HANDLING WARNINGS

- a) Shower doors are not leak-proof. They are designed to direct water to the interior of the tub or shower under normal conditions. Excessive water pressure or directing the shower head directly at the door can result in leaks.
- b) Do not hang on towel bars or handles or use them to support your weight getting in and out of the bathtub or shower. Towel bars and handles are not intended to be used as grab bars for assistance getting in and out of the shower or bathtub. They are not intended to support a person's weight and could break.
- c) Do not use excessive force when opening and closing the enclosure. Excessive force can lead to glass breakage or other damage to the enclosure. Make sure wall jamb bumpers are securely fastened in place per the installation instructions.

GLASS USAGE AND HANDLING WARNINGS

- a) **TEMPERED GLASS CANNOT BE CUT.** Attempting to cut tempered glass will result in the glass breaking or shattering.
- b) **USE CAUTION WHEN HANDLING GLASS PANELS.** Safety tempered glass is very resistant to breakage, but it can still break if unequal pressure is placed on it during installation (or if cutting of the glass is attempted). In addition, the sharp corners of the panels can damage tile and floor coverings or cause injury.
- c) **PROTECT THE EDGES OF THE GLASS.** Never let the edge of the glass come in direct contact with concrete, tile, marble or other hard surfaces that may nick, or damage the glass edge in any way as this damage may cause a delayed blow. Always check the edge of the glass for nicks, slivers, rough areas, or clam shelling. Do not install the glass if these conditions are present.
- d) Alumax Bath Enclosures by Sapa is not liable for glass breakage of any kind.

CARE AND CLEANING WARNINGS

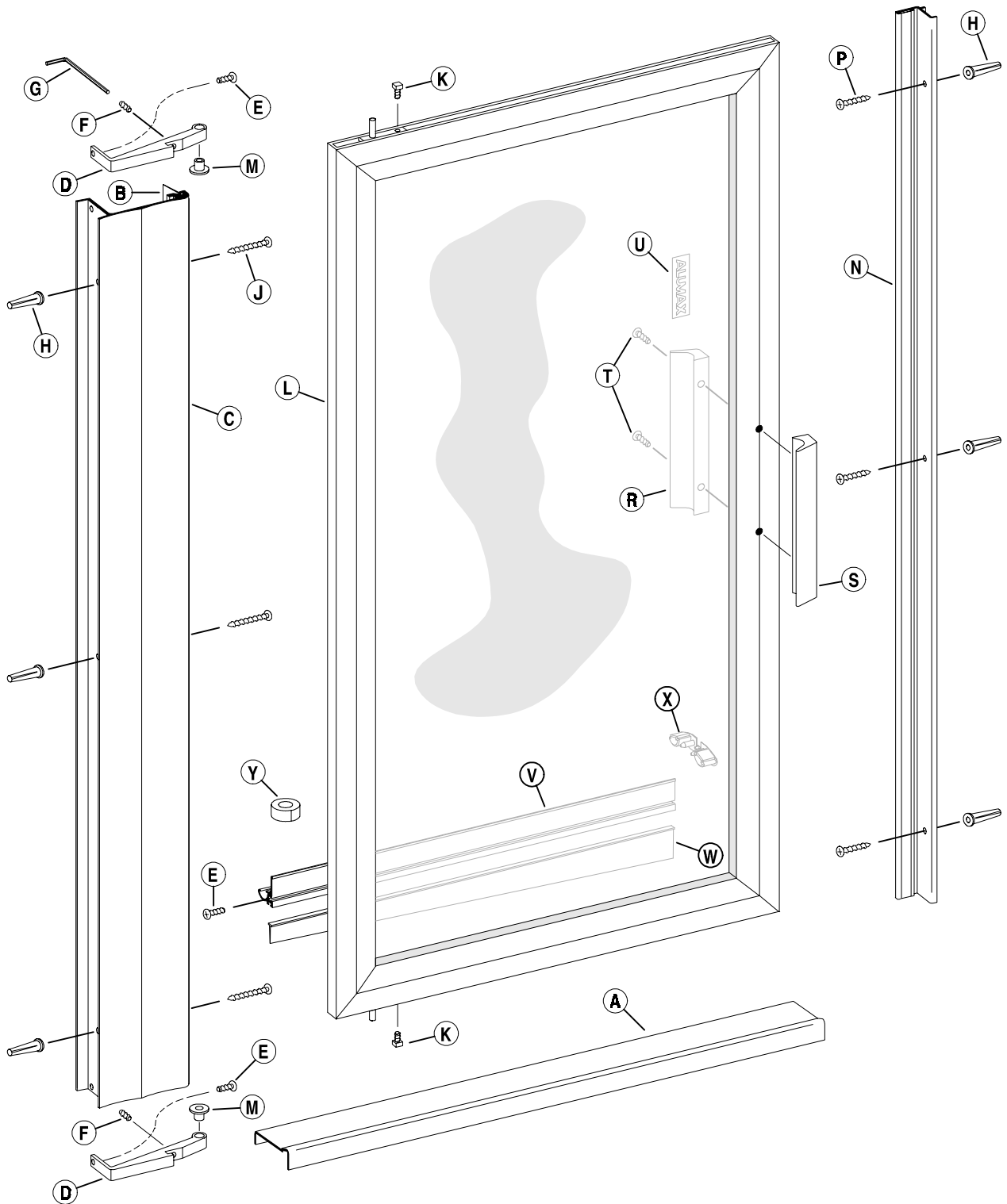
- a) The simplest and preferred method of cleaning your unit is by washing it with clean water and drying with a soft cloth.
- b) If soil is still present after drying, a non-abrasive cleanser with a pH of seven to eight may be used. Comet Bathroom Cleaner® has been tested and is recommended by the Bath Enclosure Manufacturers Association (BEMA).
- c) Contact your dealer for more information about glass coatings that will help keep the glass clean.
- d) **DO NOT USE SCOURING PADS, SHARP INSTRUMENTS, BLEACH OR ACID-BASED CLEANSERS TO CLEAN THE UNIT AS THEY MAY DAMAGE THE UNIT.**

LIMITED WARRANTY

- a) Alumax Bath Enclosures by Sapa provides a LIMITED WARRANTY on material and workmanship only. Primary glass and component suppliers must be included in all warranty claims.
- b) Alumax Bath Enclosures by Sapa is not responsible for glass breakage.
- c) Products must be handled, installed and maintained per our published Warning and Installation instructions or the warranty may be nullified.
- d) The Limited Warranty applies to the original owner only, and is not transferable.
- e) Please visit our website www.alumaxshowerdoor.com or call us at 1.800.643.1514 to get copies of our published warranty, installation and warranty policies.

738 PARTS LIST

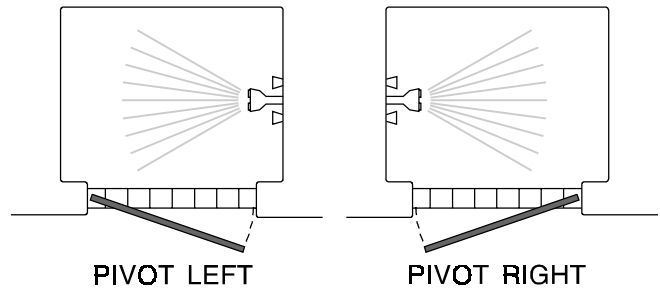
- | | | | | | |
|----|-------------------------------|----|-----------------------------------|----|---------------------------------|
| A. | 1 Curb | J. | 3 #8 x 2" Truss Head Screws | T. | 2 #6 x 1 1/4" Round Head Screws |
| B. | 1 Jamb Wiper Vinyl | K. | 2 #10 x 7/16" Sq. Head Set Screws | U. | 1 ALUMAX Decal |
| C. | 1 Pivot Jamb | L. | 1 Glazed Door Panel | V. | 1 Drip Rail |
| D. | 2 Pivot Brackets | M. | 2 Nylon Pivot Bushings | W. | 1 Tapered Drip Vinyl |
| E. | 3 #6 x 3/8" Truss Head Screws | N. | 1 Strike Jamb (Magnetic) | X. | 2 Drip Plugs |
| F. | 2 #8 x 1/8" Allen Set Screws | P. | 3 #8 x 1 1/2" Flat Head Screws | Y. | 1 Roll of Double Stick Tape |
| G. | 1 Allen Wrench (5/64") | R. | 1 Interior Door Handle | | |
| H. | 6 Plastic Wall Anchors | S. | 1 Exterior Door Handle | | |



1

The ALUMAX 738 Pivot Shower Door is completely reversible and may be installed pivot-right or pivot-left. Using the diagram, determine the correct position for your installation. For maximum waterproofing, the pivot jamb should always be opposite the shower head. These instructions depict a pivot-left installation.

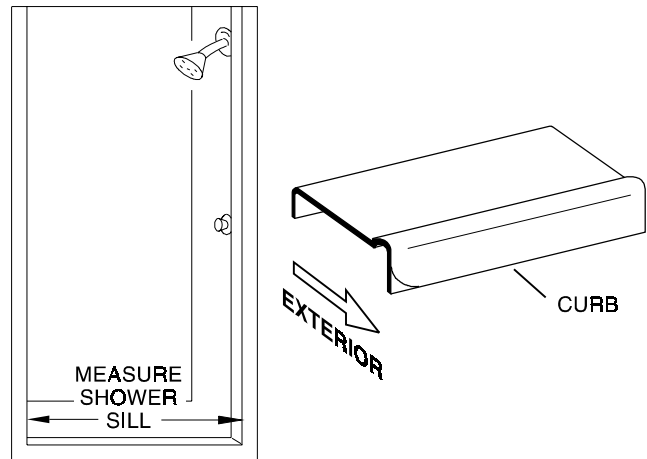
CAUTION: For safety, the door must *always* open outward.



2

NOTE: The 738 unit may be installed without using the sloped curb [A] provided. Its use is definitely recommended for positive water control on shower sills with little or no slope.

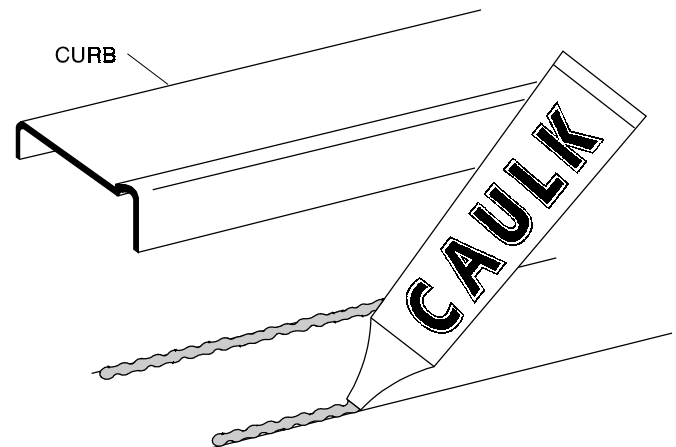
Measure the wall to wall opening at the shower sill and cut the curb to the exact length. File the ends of curb as necessary to fit the corner contours of the enclosure. Place the curb on the shower sill with the raised portion to the exterior of the enclosure. Make sure the curb is centered on the sill and lightly mark its position on the sill with a pencil. Remove the curb from the sill.



3

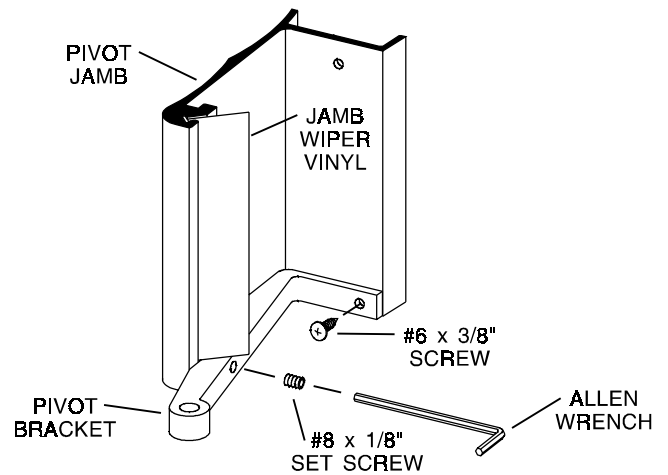
Run two beads of caulk inside the penciled marks on the shower sill. Place the curb [A] in the exact position marked in Step #2 and seat it firmly in the caulking.

NOTE: Improper caulking will result in leaks.



4

Slide the jamb wiper vinyl [B] into the pivot jamb [C]. A small amount of soap or graphite lubrication will help installation. Cut the jamb wiper vinyl 7/8" shorter than the pivot jamb to allow room for the pivot brackets [D]. Fit one of the pivot brackets into the bottom of the pivot jamb. Lock it in place with a #6 x 3/8" truss head screw [E] and a #8-32 x 1/8" set screw [F] (a 5/64" Allen wrench [G] is provided).

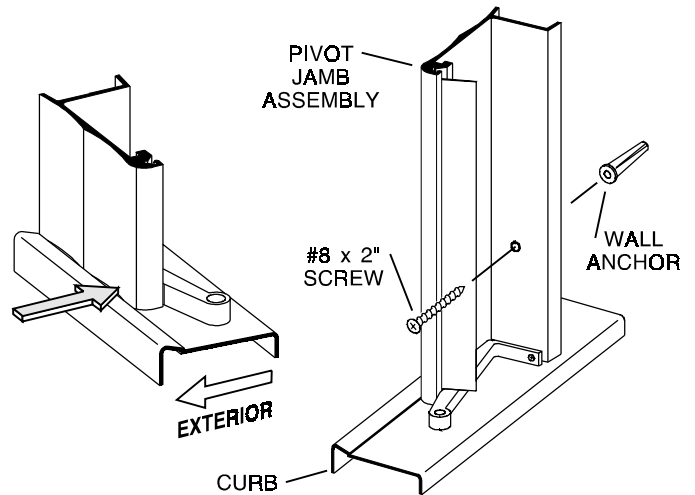


5

Place the pivot jamb [C] on the curb [A] with the exterior face lined up with the raised edge of the curb. Use a level to plumb the jamb then mark the mounting hole locations. Remove the jamb and drill the mounting holes.

For tile or marble walls, drill three 7/32" diameter holes and insert the plastic wall anchors [H]. A center punch helps locate the holes accurately. Attachments to fiberglass or acrylic units can be made in two ways. If a reinforcement is built into the wall of the unit, drill three 1/8" diameter holes to install mounting screws directly into the reinforcement. If walls are not reinforced, drill 7/32" holes and install plastic wall anchors or Molly bolts (Molly bolts not supplied by ALUMAX).

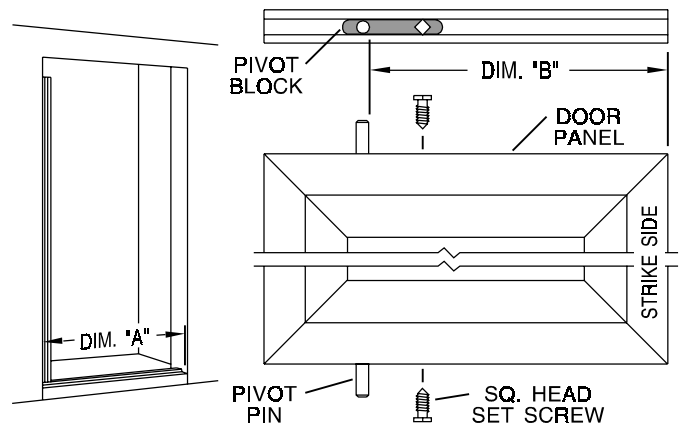
Replace the pivot jamb and attach to the wall with three #8 x 2" truss head screws [J].



6

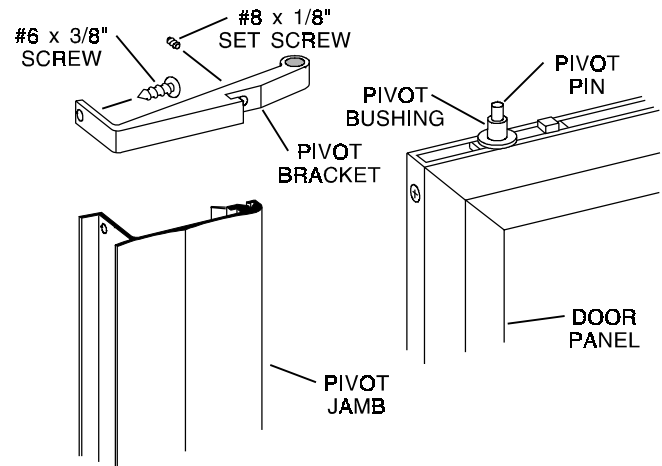
Thread the two #10-24 x 7/16" square head set screws [K] into the tapped holes in the pivot blocks in the top and bottom rails of the glazed door panel [L].

Measure the distance from wall to wall directly above the curb (Dim. "A"). Deduct 3 13/16" from this amount and position the pivot pins this exact distance (Dim. "B") from the edge of the door. Tighten the set screws just enough to prevent the pivot blocks from moving (finger tight plus a quarter turn). A 3/16" wrench (not supplied by ALUMAX) will fit the set screw heads.



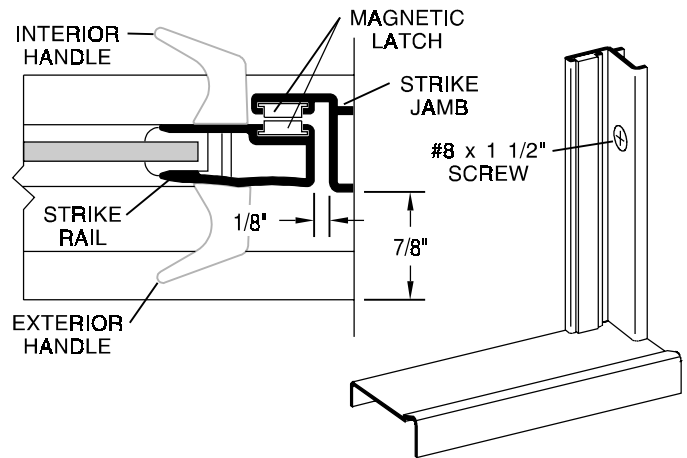
7

Insert a nylon pivot bushing [M] into the bottom pivot bracket [D]. Slip the second pivot bushing over the top pivot pin on the door panel. Position the door by inserting the bottom pivot pin into the bottom pivot bracket. Hold the door vertical and slide the top pivot bracket into the pivot jamb [C] and over the top pivot pin and pivot bushing. Secure the top pivot bracket with a #6 x 3/8" truss head screw [E] and a #8-32 x 1/8" Allen set screw [F].



8

Your Pivot Door is equipped with a magnetic catch. Attach the strike jamb [N] to the door. Close the door so the strike jamb is 7/8" from the front of the curb [A] and mark the jamb location on the wall. If the curb is not used, close the door parallel to the shower sill and mark the jamb location. Remove the strike jamb from the door, hold it in the marked location and mark the hole locations for the mounting screws. Drill the mounting holes per the instructions in Step #5. Replace the strike jamb and attach it to the wall with three #8 x 1 1/2" flat head screws [P].

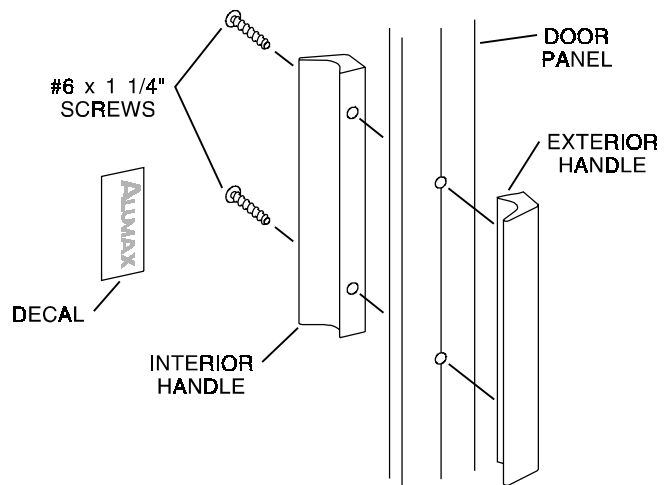


Close the door and check the clearance with the strike jamb. If necessary, loosen the set screws [K] on the top & bottom slide bars and adjust the door panel to align the magnets. When the door panel is properly aligned, tighten the set screws securely.

9

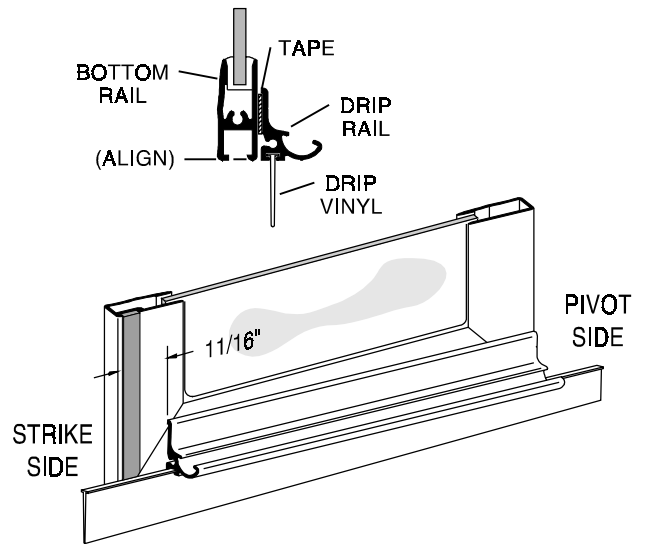
Attach the interior door handle [R] and the exterior door handle [S] to the door with two #6-32 x 1 1/4" round head screws [T].

Peel the backing from the ALUMAX decal [U] and apply it to the inside handle.



10

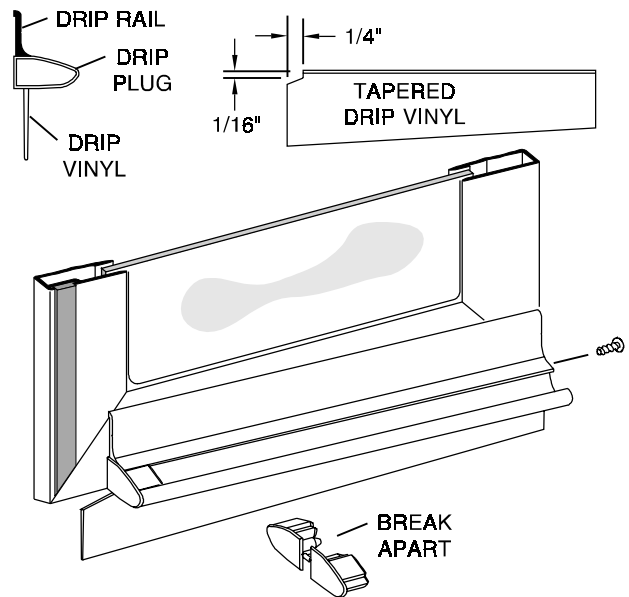
Cut the drip rail [V] to the length of the bottom rail minus $11/16"$. Clean the bottom door rail and the drip rail thoroughly to ensure proper adhesion. Unroll the double stick tape [Y] and carefully apply it to the back of the drip rail (do not peel the tape backing yet). Insert the tapered drip vinyl [W] into the drip rail. Position the drip rail flush with the bottom and pivot side of the door panel [L], then raise the strike side until the bottom edge of the drip vinyl is parallel to the curb [A]. Mark the location of each end of the drip rail.



11

Adjust the drip vinyl [W] by sliding it left or right until it just touches the curb. Trim the vinyl (flush with the pivot end and notch $1/4"$ longer than the drip rail as shown on the strike end). Secure it with one #6 x $3/8"$ truss head screw [E] in the pivot end of the drip rail.

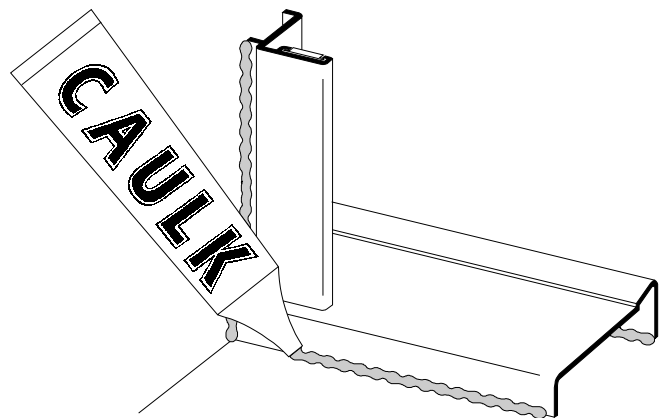
The drip plug [X] is supplied with a left and right hand plug together. Break the right and left drip plug apart and insert the appropriate plug into the high (strike) side of the drip rail. Discard the unused drip plug. Peel off the tape backing and carefully press the drip rail to the door in the marked position.



12

Neatly caulk the inside perimeter of the shower curb and wall jambs.

NOTE: The caulking should be allowed to cure for twenty-four hours before using your new shower enclosure.



The Care and Cleaning of your new Alumax Bath Enclosure. The simplest and preferred method of cleaning your unit is by washing it with clean water and drying with a soft cloth. If soil is still present after drying, a non-abrasive cleanser with a pH of seven to eight may be used. Comet Bathroom Cleaner® has been tested and is recommended by the Bath Enclosure Manufacturers Association (BEMA). Do not use scouring pads, sharp instruments, or acid-based cleansers to clean the unit.

Thank you for choosing an Alumax Bath Enclosure. Please take a moment to complete and return the enclosed Customer Response Card. The information you provide helps us improve the quality of our products and provide better service to you, our customer.