

795 SERIES STIKSTALL™ SHOWER ENCLOSURE



!WARNINGS!

INSTALLATION WARNINGS

- a) Alumax Bath Enclosures by Sapa are intended to be installed by an experienced installer. If you need assistance with locating an experienced installer, contact us at 1.800.643.1514 or go to our website www.alumaxshowerdoor.com to access our "dealer locator". If a dealer is not listed in your area, call or send us an e-mail and we will find one for you.
- b) The enclosure must be properly installed per our published installation instructions. If NOT, the unit will not operate as designed which will cause hardware failure, glass breakage, leaking, other unidentified issues, and may cause nullification of warranty.
- c) Unpack your unit carefully and inspect for freight damage. Lay out and identify all parts using the instruction sheets as a reference. Before discarding the carton, check for small hardware bags that tend to fall into the bottom of the box. If any parts are damaged or missing, refer to the descriptions noted in the instructions when contacting your dealer for replacements.
- d) Before beginning installation, check the tub rim for level and both walls for plumb. If either is off more than ¼" to 3/8", you should use a tapered filler which can be used to level the tub track or plumb the wall jambs.
- e) Wear safety glasses when drilling or cutting to avoid injury to the eyes.
- f) When drilling holes in ceramic tile or marble, use a center punch and hammer to carefully break the surface glaze so the drill can start without skidding. A skidding drill can cause damage to the surface and can be dangerous (risk of personal injury).
- g) Use caution and proper technique whenever using tools to avoid damage to property and/or personal injury.

GENERAL USAGE AND HANDLING WARNINGS

- a) Shower doors are not leak-proof. They are designed to direct water to the interior of the tub or shower under normal conditions. Excessive water pressure or directing the shower head directly at the door can result in leaks.
- b) Do not hang on towel bars or handles or use them to support your weight getting in and out of the bathtub or shower. Towel bars and handles are not intended to be used as grab bars for assistance getting in and out of the shower or bathtub. They are not intended to support a person's weight and could break.
- c) Do not use excessive force when opening and closing the enclosure. Excessive force can lead to glass breakage or other damage to the enclosure. Make sure wall jamb bumpers are securely fastened in place per the installation instructions.

GLASS USAGE AND HANDLING WARNINGS

- a) **TEMPERED GLASS CANNOT BE CUT.** Attempting to cut tempered glass will result in the glass breaking or shattering.
- b) **USE CAUTION WHEN HANDLING GLASS PANELS.** Safety tempered glass is very resistant to breakage, but it can still break if unequal pressure is placed on it during installation (or if cutting of the glass is attempted). In addition, the sharp corners of the panels can damage tile and floor coverings or cause injury.
- c) **PROTECT THE EDGES OF THE GLASS.** Never let the edge of the glass come in direct contact with concrete, tile, marble or other hard surfaces that may nick, or damage the glass edge in any way as this damage may cause a delayed blow. Always check the edge of the glass for nicks, slivers, rough areas, or clam shelling. Do not install the glass if these conditions are present.
- d) Alumax Bath Enclosures by Sapa is not liable for glass breakage of any kind.

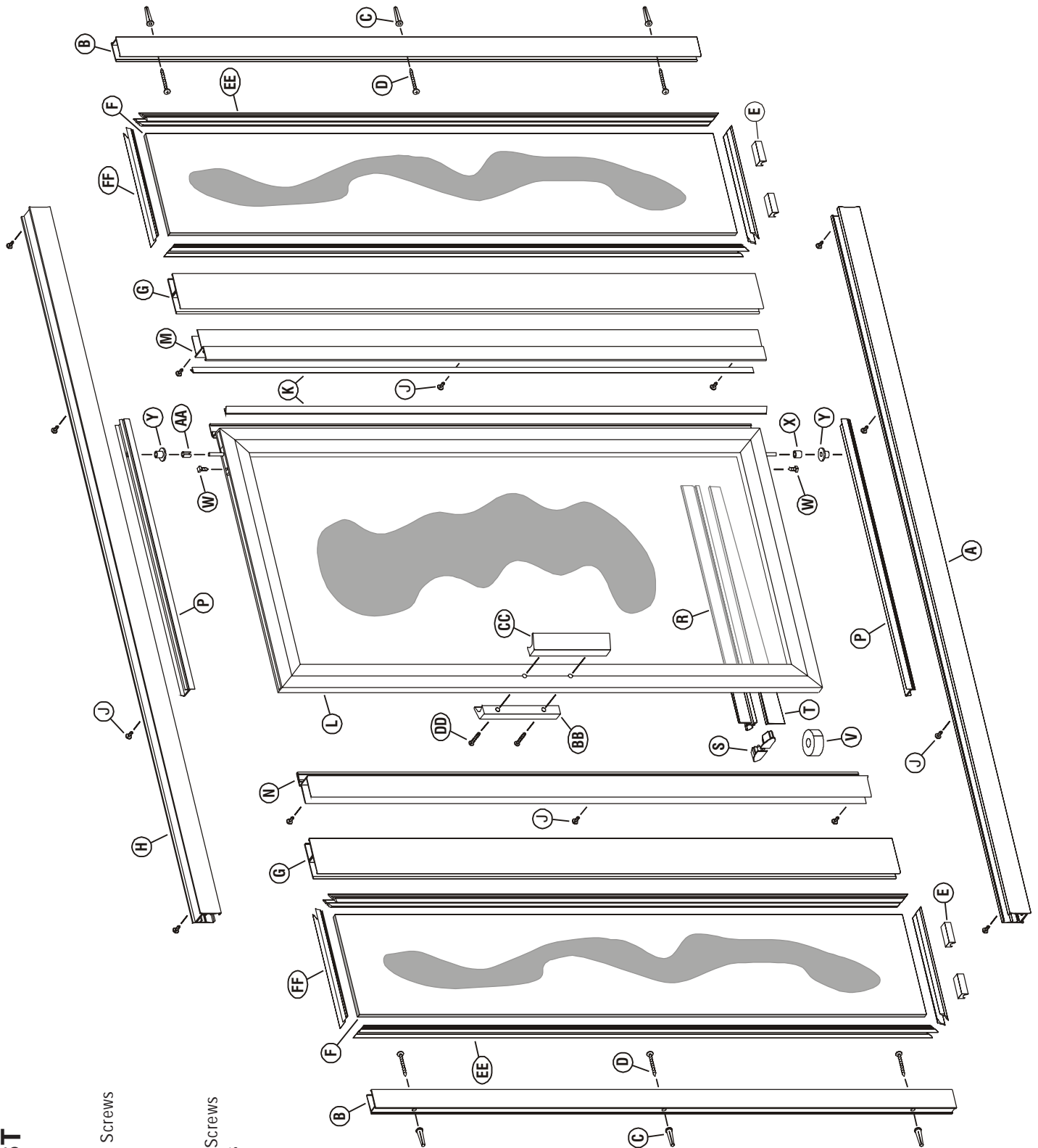
CARE AND CLEANING WARNINGS

- a) The simplest and preferred method of cleaning your unit is by washing it with clean water and drying with a soft cloth.
- b) If soil is still present after drying, a non-abrasive cleanser with a pH of seven to eight may be used. Comet Bathroom Cleaner® has been tested and is recommended by the Bath Enclosure Manufacturers Association (BEMA).
- c) Contact your dealer for more information about glass coatings that will help keep the glass clean.
- d) **DO NOT USE SCOURING PADS, SHARP INSTRUMENTS, BLEACH OR ACID-BASED CLEANSERS TO CLEAN THE UNIT AS THEY MAY DAMAGE THE UNIT.**

LIMITED WARRANTY

- a) Alumax Bath Enclosures by Sapa provides a LIMITED WARRANTY on material and workmanship only. Primary glass and component suppliers must be included in all warranty claims.
- b) Alumax Bath Enclosures by Sapa is not responsible for glass breakage.
- c) Products must be handled, installed and maintained per our published Warning and Installation instructions or the warranty may be nullified.
- d) The Limited Warranty applies to the original owner only, and is not transferable.
- e) Please visit our website www.alumaxshowerdoor.com or call us at 1.800.643.1514 to get copies of our published warranty, installation and warranty policies.

795 PARTS LIST



- A. 1 Curb
- B. 2 Wall Jamba
- C. 6 Plastic Wall Anchors
- D. 6 #8 x 1 1/2" Truss Head Screws
- E. 4 Plastic Setting Blocks
- F. 2 Fixed Glass Panels
- G. 2 180° Posts
- H. 1 Header
- J. 14 #8 x 1/4" Truss Head Screws
- K. 2 Clear Vinyl Jamb Seals
- L. 1 Glazed Door Panel
- M. 1 Pivot Jamb
- N. 1 Strike Jamb (Magnetic)
- P. 2 Snap-in Fillers
- R. 1 Drip Rail
- S. 1 Drip Plug
- T. 1 Tapered Drip Vinyl
- V. 1 Roll Double Stick Tape
- W. 2 #10 x 7/16" Sq. Head Set Screws
- X. 1 Nylon Spacer
- Y. 2 Nylon Pivot Bushings
- AA. 1 Security Washer
- BB. 1 Interior Door Handle
- DD. 1 Exterior Door Handle
- EE. 8 Pcs. Vert. Glazing Vinyl (72")
- FF. 4 Pcs. Horiz. Glazing Vinyl (72")

The Alumax StikStall framework has been designed to work with a variety of different door types. To ensure correct installation, this 795 Instruction Sheet is designed to be used by itself with a 790 Framed Pivot Door or with an instruction supplement packed with a 390 Frameless Pivot Door, a 790i Intra-Hinge Door or a 1090 Heavy Frameless Pivot Door.

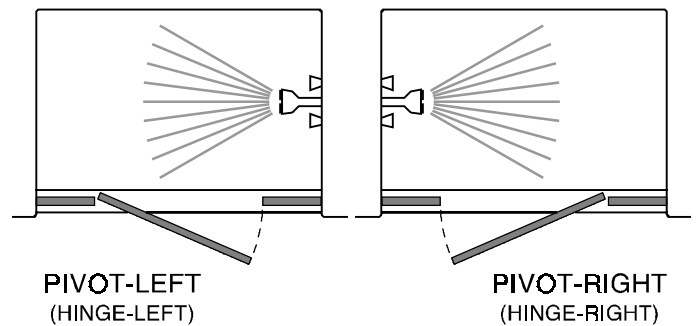
Each step in this primary instruction sheet will indicate whether it applies to all door types or if a supplement should be used. If your door panel kit does not have an instruction supplement, then contact your dealer for the proper instructions. 790 door panel kits are covered in this instruction, therefore will not come with a separate instruction supplement.

1 - ALL DOORS

The Alumax 795 StikStall Shower Enclosure is completely reversible and may be installed pivot-left or pivot-right (hinge-left or hinge-right). The door may pivot from either center post. For maximum waterproofing, the pivot (or hinge) jamb should always be opposite the shower head. Using the diagram, determine the correct position for the door in your particular StikStall installation. This instruction sheet depicts a pivot-right (hinge-right) installation.

NOTE: Fixed glass panel size should be determined by formulas shown on Alumax detail sheets.

CAUTION: For safety reasons, the door panel must always open *outward*.

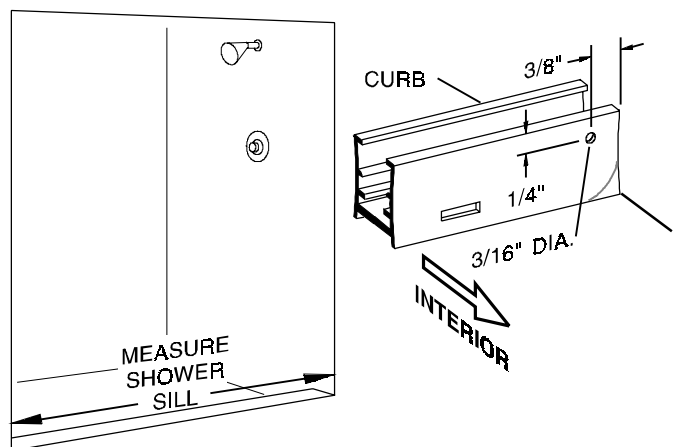


2 - ALL DOORS

Measure the opening at the bottom of the shower stall and cut the curb [A] (with weep slots) to fit the full width of the opening. If required, use a file to round the lower corners of the curb to fit the shower sill properly.

Using a 3/16" drill bit, drill the interior face of the curb on both ends as shown.

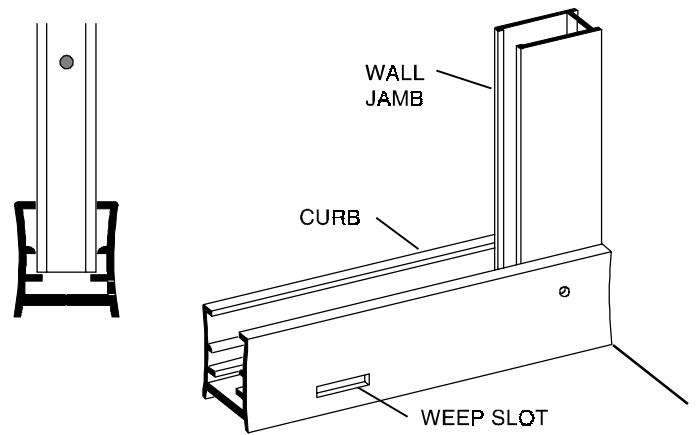
Position the curb in the middle of the sill with the weep slots to the interior and mark its position with a pencil line along the interior and exterior base.



3 - ALL DOORS

Place the two wall jambs [B] into the ends of the curb [A]. Masking tape may be used to hold the curb in place during this operation. Plumb both jambs and mark the hole locations on the walls. Remove all parts and drill the walls for mounting hardware.

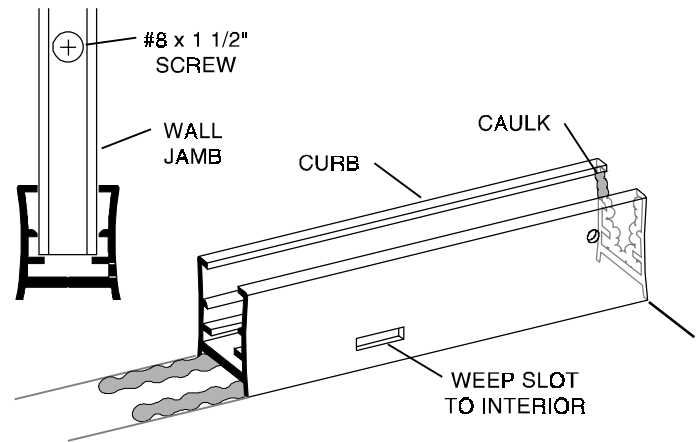
For tile or marble walls, drill six 3/16" diameter holes and insert the plastic wall anchors [C]. Attachments to fiberglass or acrylic units can be made in two ways. If a reinforcement is built into the wall of the unit, drill six 1/8" holes to install mounting screws directly into the reinforcement. If walls are not reinforced, drill six 3/16" holes and install plastic wall anchors or toggle bolts (toggle bolts not supplied by Alumax).



4 - ALL DOORS

Wipe the shower walls and sill, curb [A] and wall jambs [B] with a clean, dry cloth to remove any dust or debris. Apply a 1/4" bead of caulk along the inside of both of the pencil lines marked in Step #2. Carefully replace the curb in the exact position marked. Caulk the inside of the curb ends where they meet the wall.

Replace both wall jambs and attach to the walls with six #8 x 1 1/2" truss head screws [D].



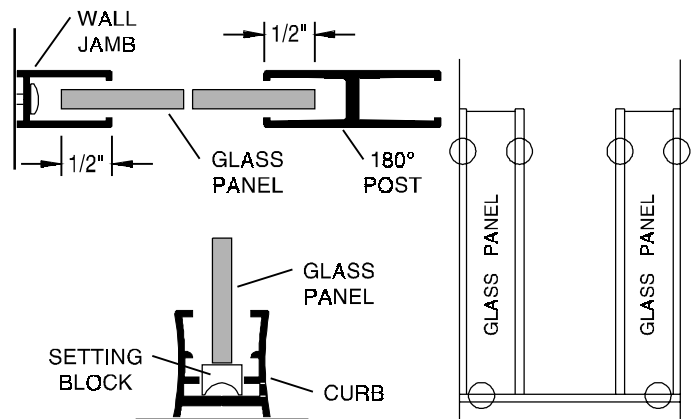
5 - ALL DOORS

Place the setting blocks [E] in the curb [A] as shown to support the two fixed glass panels [F]. The setting blocks should be positioned approximately 3" from each corner of the glass panel. Remove any protective strips from the first glass panel and set it into place on the setting blocks and approximately 1/2" into the wall jamb [B]. A strip of masking tape 1/2" from each vertical edge of the glass will aid alignment. Repeat for the second panel.

NOTE: Obscure glass panels should be installed with the rough surface of the glass to the exterior of the unit. Deco or etched glass panels should have the patterned surface to the inside.

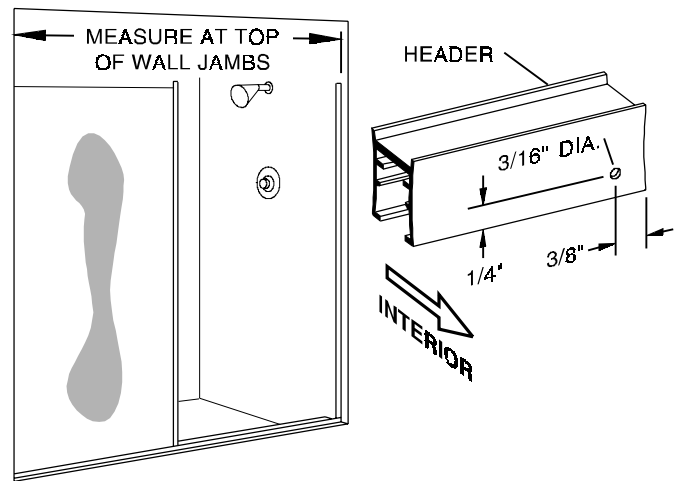
Press a 180° post [G] into the curb and position it to overlap the first glass panel by 1/2". Use masking tape to hold the post in position temporarily. Repeat for the second post and panel.

NOTE: To facilitate out of plumb walls, the 1/2" glass bite may be varied from 1/4" to 3/4".



6 - ALL DOORS

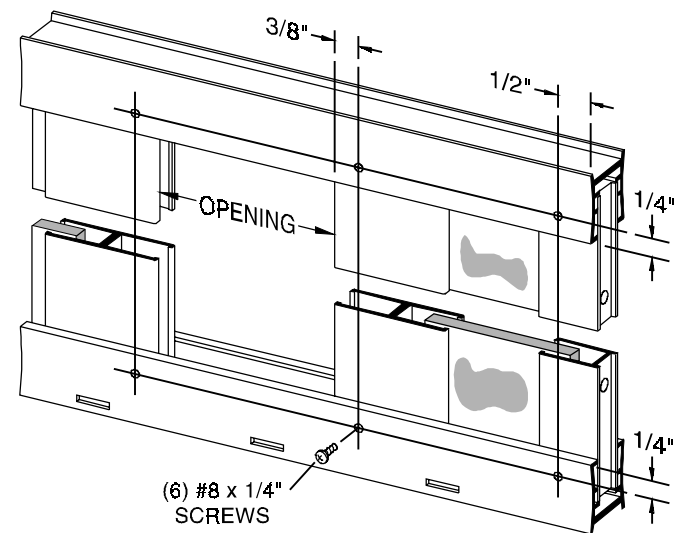
Measure the wall-to-wall opening at the top of the wall jambs [B] and cut the header [H] to fit the exact opening. Using a 3/16" drill bit, drill the interior face of the header on both ends as shown.



7 - ALL DOORS

Press the header [H] over the wall jambs [B] and the two 180° posts [G]. Plumb the posts, moving them laterally as required to maintain proper coverage on the fixed glass panels [F]. The minimum horizontal dimension for the door opening is the door panel width (see the graphic in Step #8) plus 1/2", maximum is the door panel width plus 1 3/4". Using the holes in the ends of the header and curb as a guide, drill four 1/8" holes into the wall jambs. Drill two 1/8" holes thru the header and curb into each 180° post as shown, then enlarge the four outer holes with a 3/16" drill for clearance on the self-tapping screws. Secure the header and curb to the wall jambs and 180° posts with eight #8 x 1/4" truss head screws [J].

CAUTION: Slide the glass panels away from the wall jamb before drilling to prevent breakage.

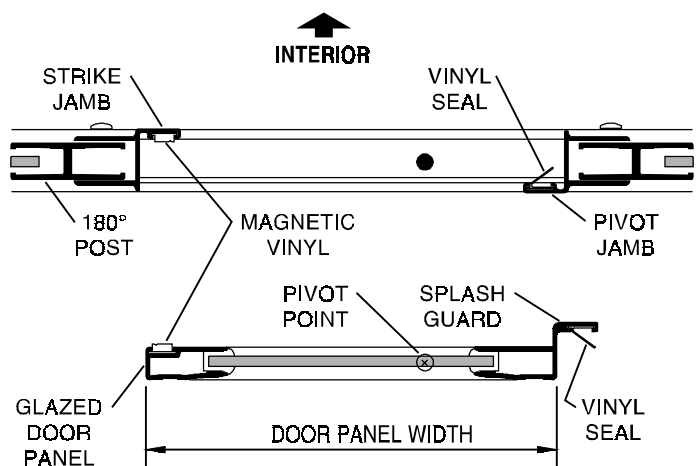


8 - 790 DOORS ONLY

Strip two clear vinyl jamb seals [K] into the door panel [L] splash guard and the pivot jamb [M] and trim flush at the ends. Both vinyls should be turned to trap water from the shower head. Secure the vinyls with a small quantity of glue or caulk at each end or by carefully crimping the vinyl pocket. Set the door panel aside.

Press the pivot jamb and strike jamb [N] (with magnetic strip) over the two 180° posts [G]. Refer to Step #1 for the proper handing of the door.

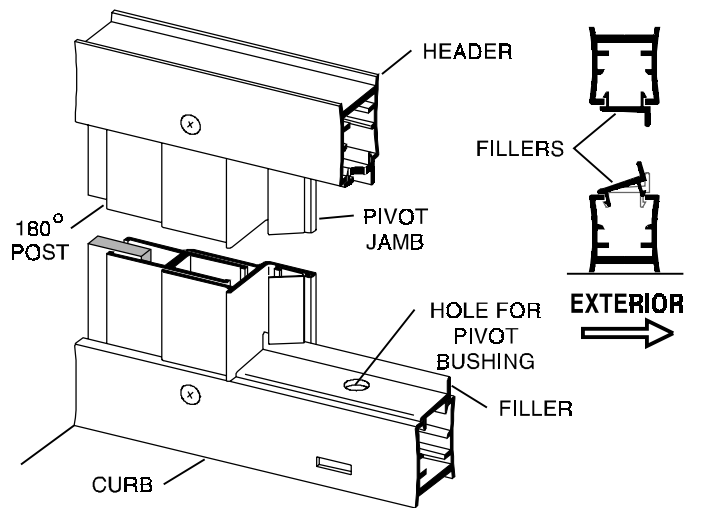
NOTE: The magnetic strip on the strike jamb must face the exterior and the clear vinyl jamb seal on the pivot jamb must face inward.



9 - 790 DOORS ONLY

Snap the fillers [P] into the curb [A] and header [H] between the door jambs with the raised lip to the exterior and the pivot holes toward the pivot jamb. Center the curb filler in the curb between the pivot and strike jamb (use masking tape to hold in position).

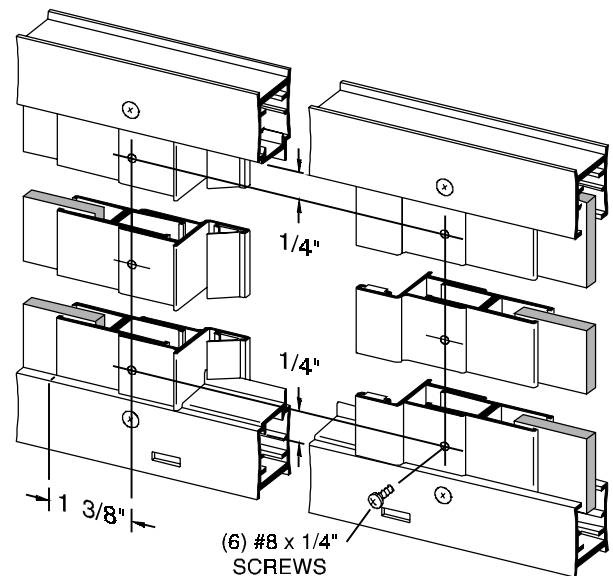
NOTE: The snap-in fillers should be exactly 3/8" longer than the door panel width.



10 - 790 DOORS ONLY

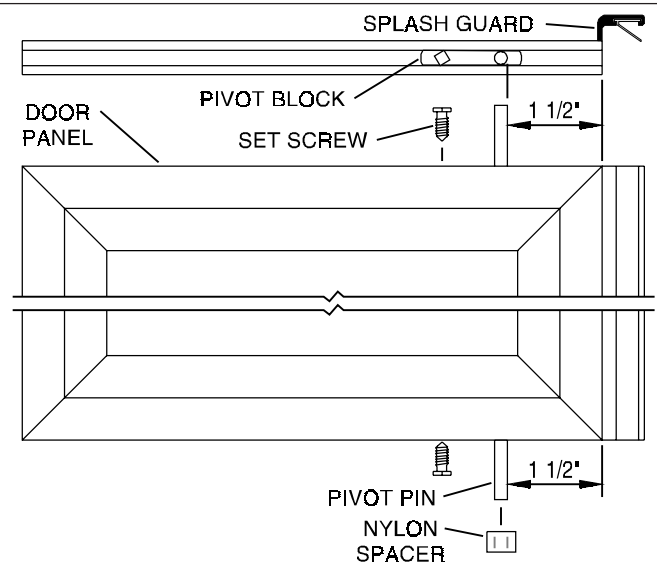
Pull the bottom end of the pivot jamb [M] tight to the curb filler [P] and plumb the jamb. Drill two 1/8" holes thru the pivot jamb and into the 180° post [G] 3/8" to 3/4" from the wall and approximately 1/4" vertically from the ends of the jamb. Drill a third hole centered between the first two and enlarge the outer holes with a 3/16" drill for clearance on the self-tapping screws. Attach the pivot jamb permanently with three #8 x 1/4" truss head screws [J].

Slide the header filler [P] tight against the pivot jamb. Push the strike jamb [N] tight against the fillers top and bottom. With the pivot jamb plumb and both fillers tight between the two door jambs, the strike jamb also will be plumb and parallel to the pivot jamb. Attach the strike jamb to the second 180° post in the same manner as the pivot jamb.



11 - 790 DOORS ONLY

Insert the two #10-24 x 7/16" square head set screws [W] into the threaded holes in the pivot blocks in the top and bottom rails of the glazed door panel [L]. Position the pivot pins 1 1/2" from the pivot side of the door (the side opposite the magnetic strip). Tighten the set screws just enough to prevent the pivot blocks from moving (finger tight plus a quarter turn). A 3/16" wrench (not supplied by Alumax) will fit the set screw heads. Press the white nylon spacer [X] over the bottom pivot pin on the door panel.

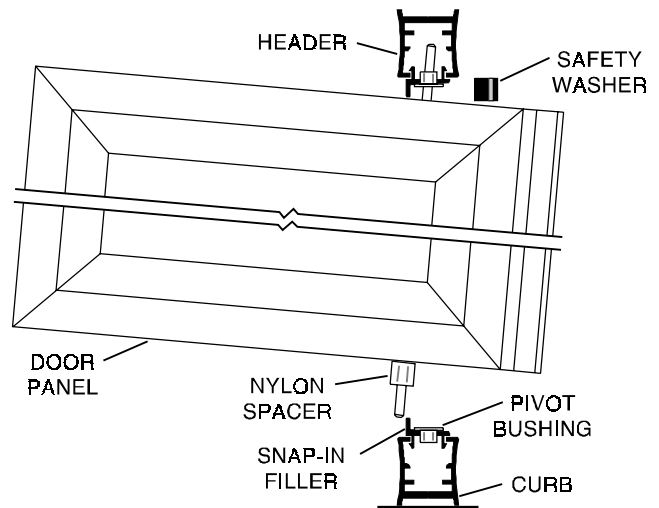


12 - 790 DOORS ONLY

Insert the two nylon pivot bushings [Y] into the pivot holes in the head and curb fillers [P].

Lift the door panel [L] and insert the top pivot pin into the pivot bushing in the header filler. Hold the door vertical and insert the bottom pivot pin into the pivot bushing in the curb filler. It may be necessary to remove the header retaining screws and raise the header slightly to install the door.

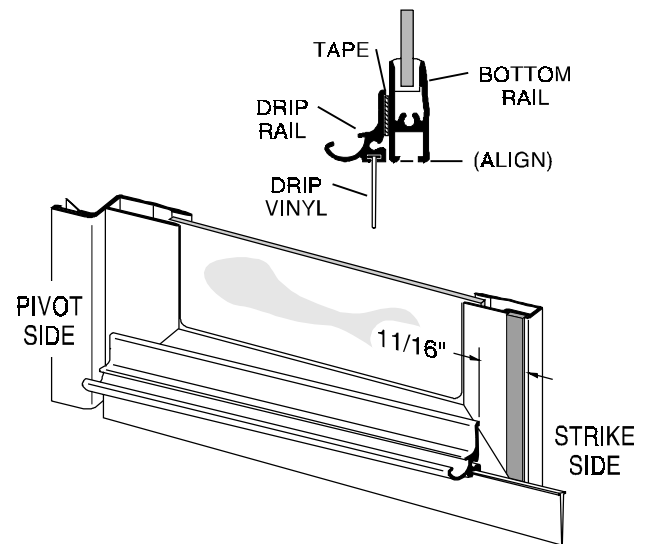
When the door has been set into place, snap the security washer [AA] over the top pivot pin to hold the upper pivot bushing in place and prevent accidental dislodging of the door.



13 - 790 DOORS ONLY

Cut the drip rail [R] to the length of the bottom rail minus 11/16". Clean the bottom door rail and the drip rail thoroughly to ensure proper adhesion. Unroll the double stick tape [V] and carefully apply it to the back of the drip rail (do not peel the tape backing yet).

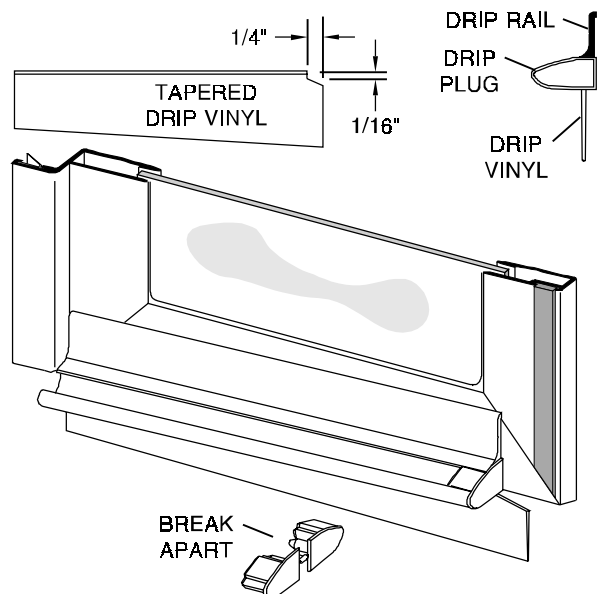
Insert the tapered drip vinyl [T] into the drip rail. Position the drip rail flush with the bottom and pivot side of the door panel [L], then raise the strike side until the bottom edge of the drip vinyl is parallel to the curb [A]. Mark the location of each end of the drip rail.



14 - 790 DOORS ONLY

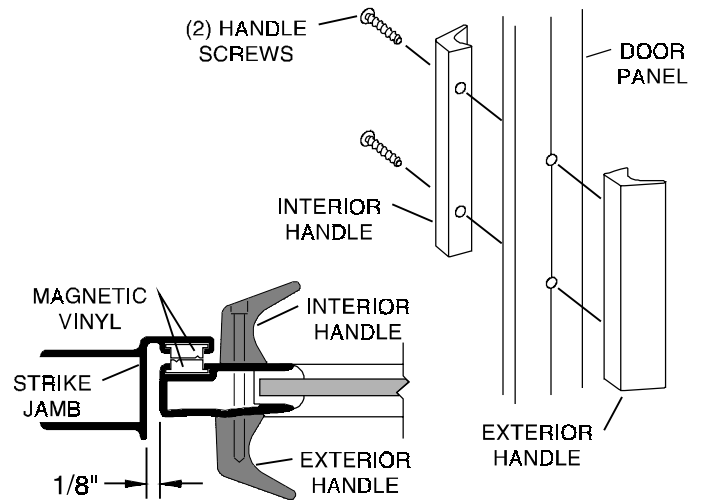
Adjust the drip vinyl [T] by sliding it left or right until it just touches the curb. Trim the vinyl (flush with the pivot end and notch 1/4" longer than the drip rail as shown on the strike end).

The drip plug [S] is supplied with a left and right hand plug together. Break the right and left drip plug apart and insert the appropriate plug into the high (strike) side of the drip rail. Discard the unused drip plug. Peel off the tape backing and carefully press the drip rail [R] to the door in the marked position.



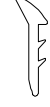



15 - 790 DOORS ONLY

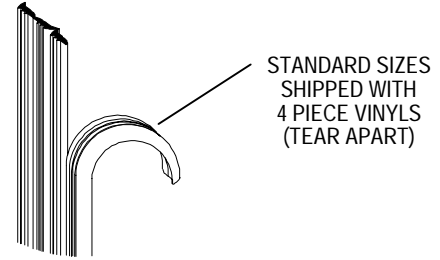
Attach the interior door handle [BB] and the exterior door handle [CC] to the door panel [L] with two #6-32 x 1 1/4" round head screws [DD]. Close the door and check the clearance with the strike jamb [N]. If necessary, loosen the set screws [W] on the top and bottom slide bars and adjust the door panel to align the strike magnets. When the door panel is properly aligned, tighten the set screws securely.



16 - ALL DOORS

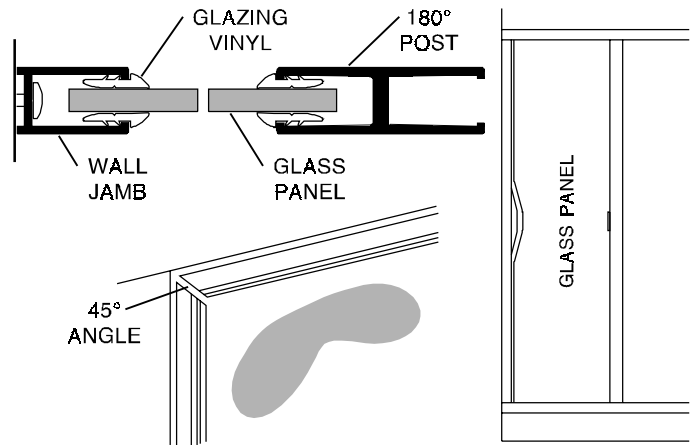
Inspect the pieces of black glazing vinyl, and note the two different profiles. The smaller shape [EE] is installed vertically and the larger shape [FF] is installed horizontally. For structural strength and maximum water resistance, these vinyls are designed to fit tightly between the glass and framing. To speed installation, use glass cleaner for lubrication and a small block of wood to press the vinyl into place.

FIXED GLASS PANEL	VERTICAL	HORIZONTAL
1/4" GLASS REQUIRES:	V-219 	V-220 
3/16" GLASS REQUIRES:	V-226 NOTCH 	V-225 NOTCH 



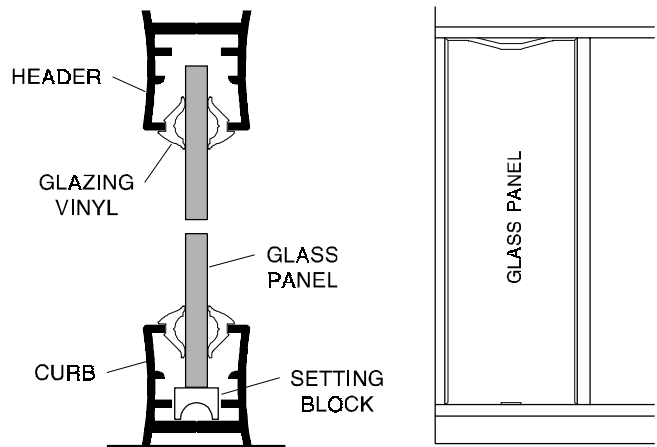
17 - ALL DOORS

Cut four pieces of the smaller vinyl [EE] 1" longer than the vertical opening (to prevent gapping from shrinkage) and trim the ends on a 45° angle. Using the masking tape guides, center the glass panel [F] in the frame. Cut four short (1" - 2") pieces of the small vinyl and press into both jambs on each side to hold the glass temporarily. Take one of the long pieces of vinyl, and starting on the outside exterior jamb, press each end into the frame and work toward the middle. Be careful not to stretch the vinyl. Install the other three pieces in a similar fashion.



18 - ALL DOORS

Cut four pieces of the larger vinyl [FF] 1/2" longer than the horizontal opening and trim the ends on a 45° angle. Install the top exterior vinyl starting at both ends and working toward the middle. Be careful not to stretch the vinyl. Install the top interior vinyl and the two bottom vinyls in the same way."



19 - ALL DOORS

Carefully caulk the interior jamb-to-wall and curb-to-base joints. For appearance, you may wish to caulk the exterior joints as well. We recommend you wait twenty-four hours before the first shower to allow the caulking to cure properly.

