

Tel: 800-643-1514

www.alumaxshowerdoor.com

890 CONTINUOUS HINGE STEAM DOOR



!WARNINGS!

INSTALLATION WARNINGS

- a) Alumax Bath Enclosures by Sapa are intended to be installed by an experienced installer. If you need assistance with locating an experienced installer, contact us at 1.800.643.1514 or go to our website www.alumaxshowerdoor.com to access our "dealer locator". If a dealer is not listed in your area, call or send us an e-mail and we will find one for you.
- b) The enclosure must be properly installed per our published installation instructions. If NOT, the unit will not operate as designed which will cause hardware failure, glass breakage, leaking, other unidentified issues, and may cause nullification of warranty.
- c) Unpack your unit carefully and inspect for freight damage. Lay out and identify all parts using the instruction sheets as a reference. Before discarding the carton, check for small hardware bags that tend to fall into the bottom of the box. If any parts are damaged or missing, refer to the descriptions noted in the instructions when contacting your dealer for replacements.
- d) Before beginning installation, check the tub rim for level and both walls for plumb. If either is off more than ¼" to 3/8", you should use a tapered filler which can be used to level the tub track or plumb the wall jambs.
- e) Wear safety glasses when drilling or cutting to avoid injury to the eyes.
- f) When drilling holes in ceramic tile or marble, use a center punch and hammer to carefully break the surface glaze so the drill can start without skidding. A skidding drill can cause damage to the surface and can be dangerous (risk of personal injury).
- g) Use caution and proper technique whenever using tools to avoid damage to property and/or personal injury.

GENERAL USAGE AND HANDLING WARNINGS

- a) Shower doors are not leak-proof. They are designed to direct water to the interior of the tub or shower under normal conditions. Excessive water pressure or directing the shower head directly at the door can result in leaks.
- b) Do not hang on towel bars or handles or use them to support your weight getting in and out of the bathtub or shower. Towel bars and handles are not intended to be used as grab bars for assistance getting in and out of the shower or bathtub. They are not intended to support a person's weight and could break.
- c) Do not use excessive force when opening and closing the enclosure. Excessive force can lead to glass breakage or other damage to the enclosure. Make sure wall jamb bumpers are securely fastened in place per the installation instructions.

GLASS USAGE AND HANDLING WARNINGS

- a) **TEMPERED GLASS CANNOT BE CUT.** Attempting to cut tempered glass will result in the glass breaking or shattering.
- b) **USE CAUTION WHEN HANDLING GLASS PANELS.** Safety tempered glass is very resistant to breakage, but it can still break if unequal pressure is placed on it during installation (or if cutting of the glass is attempted). In addition, the sharp corners of the panels can damage tile and floor coverings or cause injury.
- c) **PROTECT THE EDGES OF THE GLASS.** Never let the edge of the glass come in direct contact with concrete, tile, marble or other hard surfaces that may nick, or damage the glass edge in any way as this damage may cause a delayed blow. Always check the edge of the glass for nicks, slivers, rough areas, or clam shelling. Do not install the glass if these conditions are present.
- d) Alumax Bath Enclosures by Sapa is not liable for glass breakage of any kind.

CARE AND CLEANING WARNINGS

- a) The simplest and preferred method of cleaning your unit is by washing it with clean water and drying with a soft cloth.
- b) If soil is still present after drying, a non-abrasive cleanser with a pH of seven to eight may be used. Comet Bathroom Cleaner® has been tested and is recommended by the Bath Enclosure Manufacturers Association (BEMA).
- c) Contact your dealer for more information about glass coatings that will help keep the glass clean.
- d) **DO NOT USE SCOURING PADS, SHARP INSTRUMENTS, BLEACH OR ACID-BASED CLEANSERS TO CLEAN THE UNIT AS THEY MAY DAMAGE THE UNIT.**

LIMITED WARRANTY

- a) Alumax Bath Enclosures by Sapa provides a LIMITED WARRANTY on material and workmanship only. Primary glass and component suppliers must be included in all warranty claims.
- b) Alumax Bath Enclosures by Sapa is not responsible for glass breakage.
- c) Products must be handled, installed and maintained per our published Warning and Installation instructions or the warranty may be nullified.
- d) The Limited Warranty applies to the original owner only, and is not transferable.
- e) Please visit our website www.alumaxshowerdoor.com or call us at 1.800.643.1514 to get copies of our published warranty, installation and warranty policies.

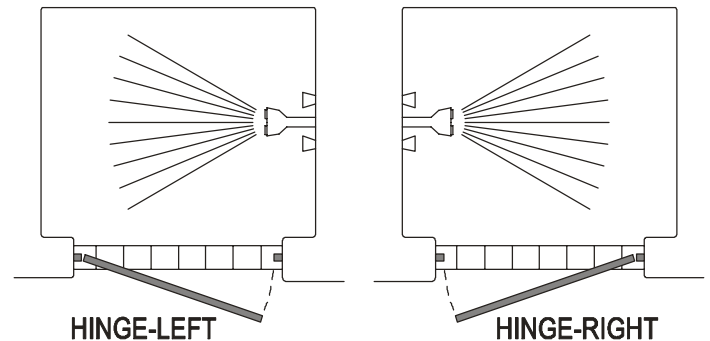
The Alumax 890 Continuous Hinge Steam Door is designed to be installed alone as shown in the exploded view or combined with a custom StikStall framework. It can be installed with an inline panel (091), a return panel (092), an inline and a return panel (093), or a neo-angle unit (094). Fixed glass panel sizes should be determined by formulas shown on Alumax detail sheets.

To ensure proper functioning in a custom installation, this instruction sheet (packed with a glazed or KD steam door) should be used to supplement the StikStall Installation Instruction sheet (791, 792, 793, 794) that will be packaged with the corresponding StikStall frame kit. Each step in the primary StikStall instruction sheet will indicate whether it applies to all door types or if this sheet should be used. If your StikStall Instruction Sheet does not mention the use of a supplement before Step #1, then contact your dealer for the proper instruction sheet.

1

The Alumax 890 Continuous Hinge Steam Door is completely reversible and may be installed hinge-left or hinge-right. For maximum waterproofing, the hinge jamb should always be opposite the shower head. Using the illustration, determine the correct position for the door in your particular installation. This instruction sheet depicts a hinge-left installation.

CAUTION: For safety reasons, the door panel must always open *outward*.

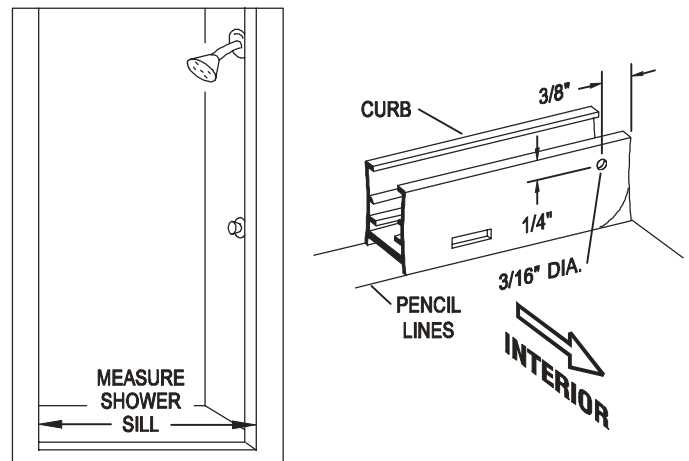


2

Measure the opening at the bottom of the shower stall and cut the curb [A] (with weep slots) to fit the full width of the opening. Measure the shower stall opening at the full unit height and cut the header [B] to length as well. If required, use a file to round the outside corners of the curb and header to fit the shower stall contours properly.

Using a 3/16" drill bit, drill the interior face of the curb and header on both ends as shown.

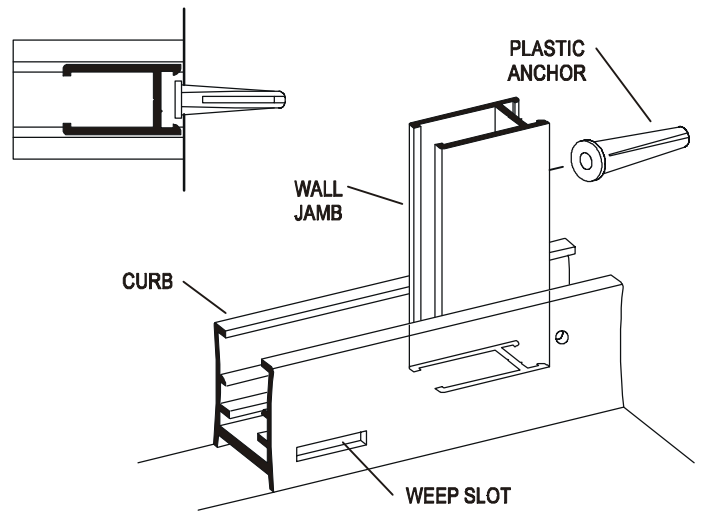
Position the curb in the middle of the sill with the weep slots to the interior and mark its position with a pencil line along the interior and exterior base.



3

Place the two wall jambs [C] into the ends of the curb [A]. Masking tape may be used to hold the curb in place during this operation. Plumb the jambs and mark the hole locations on the wall. Remove all parts and drill the walls for mounting hardware.

For tile or marble walls, drill six 3/16" diameter holes and insert the plastic wall anchors [D]. Attachments to fiberglass or acrylic units can be made in two ways. If a reinforcement is built into the walls of the unit, then drill six 1/8" holes to install mounting screws directly into the reinforcement. If walls are not reinforced, drill six 3/16" holes and install plastic wall anchors or toggle bolts (toggle bolts not supplied by Alumax).

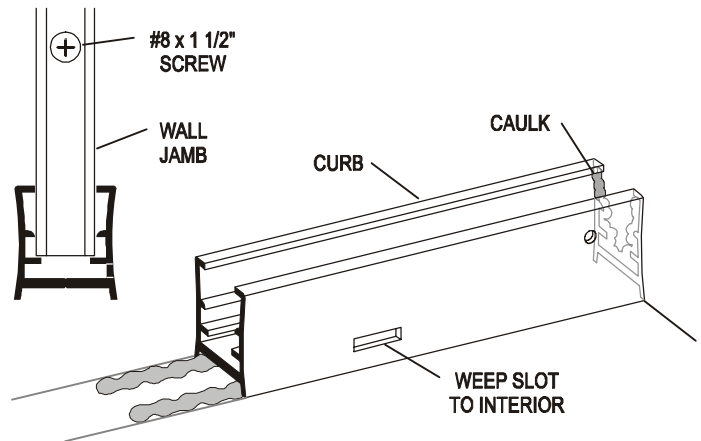


4

Wipe the shower walls and sill, curb [A] and wall jambs [C] with a clean, dry cloth to remove any dust or debris. Apply a 1/4" bead of caulk along the inside of both of the pencil lines marked in Step #2. Carefully replace the curb in the exact position marked. Caulk the inside of the curb ends where they meet the wall.

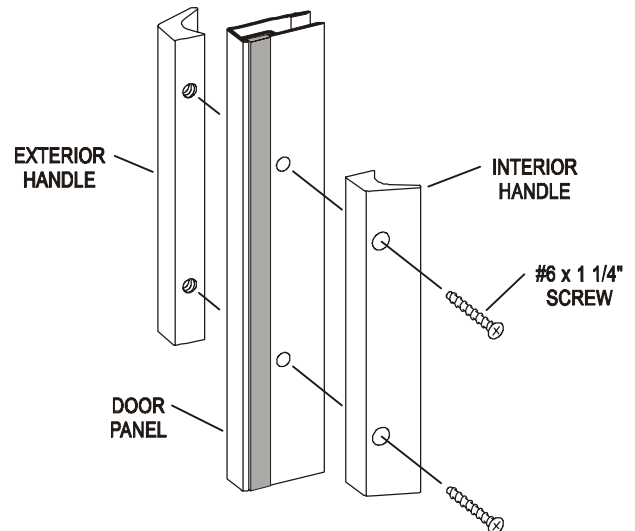
Replace both of the wall jambs and attach to the walls with six #8 x 1 1/2" truss head screws [E].

If the steam door is full height (fills the opening vertically) set the header [B] in place on top of the wall jambs before installing the attachment screws.



5

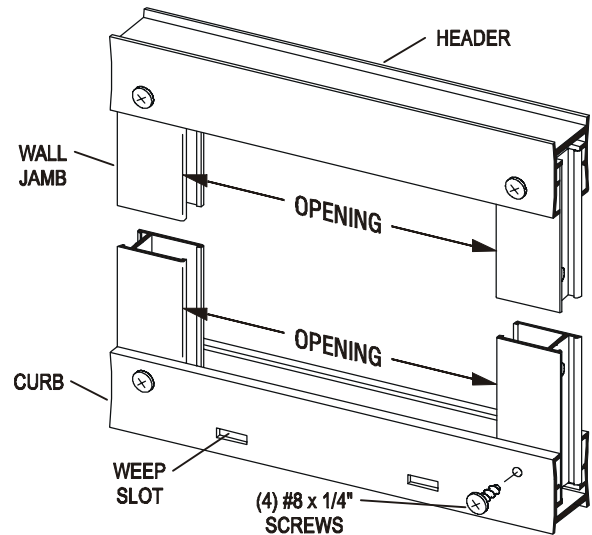
Attach the interior door handle [F] and the exterior door handle [G] to the glazed door panel assembly [J] with two #6 x 1 1/8" round head screws [H].



6

Measure the horizontal frame opening at the top and bottom. The minimum dimension for the door opening is the glazed door panel width [J] plus 1/2", maximum is the door panel width plus 1 3/4".

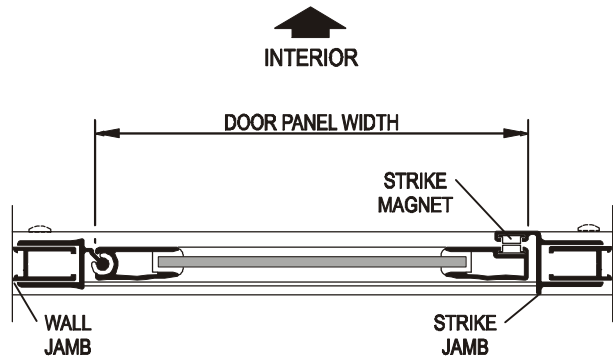
Using the holes in the ends of the curb [A] and header [B] as a guide, drill four 1/8" holes into the wall jambs [C]. Secure the header and the curb to the wall jambs with four #8 x 1/4" truss head screws [L].



7

Press the glazed door panel assembly [J] and strike jamb [M] (with magnetic strip) over the wall jambs.

NOTE: The magnetic strip on the strike jamb must face the exterior and the door panel must open outward.

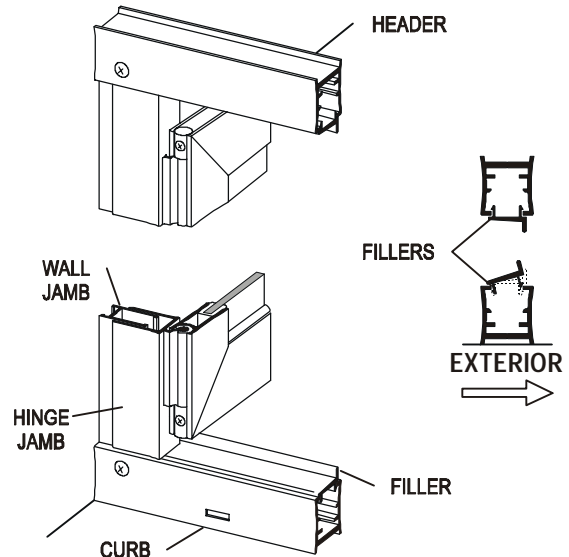


8

Snap the vinyl upper steam seal [K] into the top rail of the door panel with the sealing flap to the interior (flat) side.

Snap the fillers [N] into the curb [A] and header [B] between the door jambs with the raised lip to the exterior. Center the curb filler in the curb between the pivot and strike jamb (use masking tape to hold it in position).

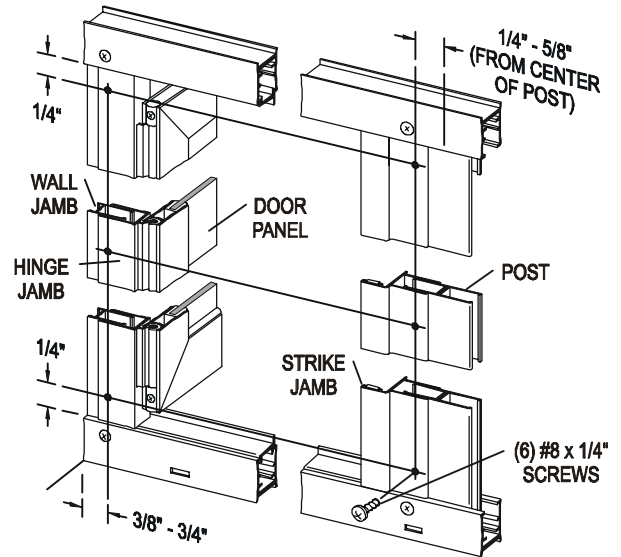
NOTE: The snap-in fillers should be exactly 3/8" longer than the door panel width.



9

Pull the bottom end of the hinge jamb [J] tight to the curb filler [N] and plumb the jamb. Drill two 1/8" holes thru the hinge jamb and into the wall jamb 3/8" to 3/4" from the wall and approximately 1/4" vertically from the ends of the jamb. Drill a third hole centered between the first two and enlarge the outer holes with a 3/16" drill for clearance on the self-tapping screws. Attach the door panel permanently with three #8 x 1/4" truss head screws [L].

Slide the header filler [N] tight against the hinge jamb. Push the strike jamb [M] tight against the fillers top and bottom. With the door panel [J] plumb and both fillers [N] tight between the two door jambs, the strike jamb [M] also will be plumb and parallel to the door panel. Attach the strike jamb in the same manner as the hinge jamb.

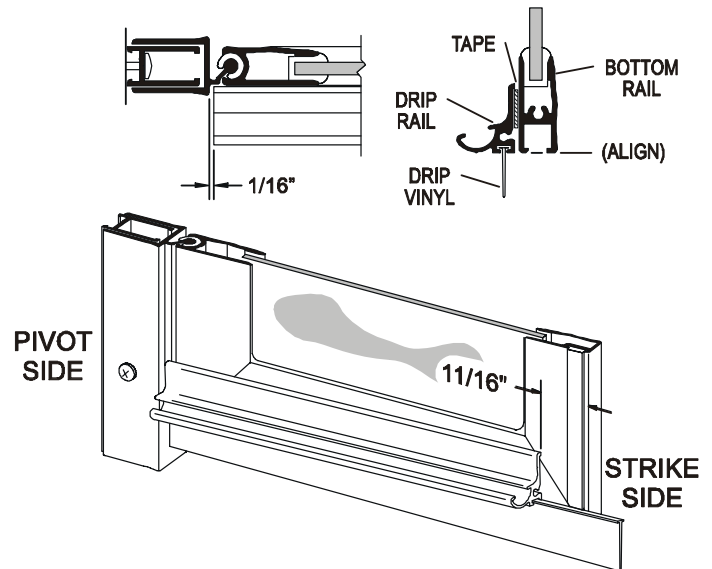


10

Cut the drip rail [P] to the length of the bottom rail minus 11/16". Clean the bottom door rail and the drip rail thoroughly to ensure proper adhesion. Unroll the double stick tanp [U] and carefully apply it to the back of the drip rail (do not peel the tape backing yet).

Insert the tapered drip vinyl [S] into the drip rail. Position the drip rail flush with the bottom and pivot side of the door panel [J], then raise the strike side until the bottom edge of the drip vinyl is parallel to the curb filler [N]. Mark the location of each end of the drip rail.

NOTE: Cleaners with alcohol content can dissolve the adhesive that attaches the drip rail. To prevent this possibility, place a small bead of clear sealant at the top of the drip rail where it is attached to the bottom rail.



11

Adjust the drip vinyl [S] by sliding it left or right until it just touches the curb filler [N]. Trim the vinyl (flush with the pivot end and notch 1/4" longer than the drip rail as shown on the strike end). Secure it with one #6 x 3/8" truss head screw [T] in the pivot end of the drip rail.

The drip plug [R] is supplied with a left and right hand plug together. Break the right and left drip plugs apart and insert the appropriate plug into the high (strike) side of the drip rail. Discard the unused drip plug. Peel off the tape backing and carefully press the drip rail [P] to the door in the marked position.

