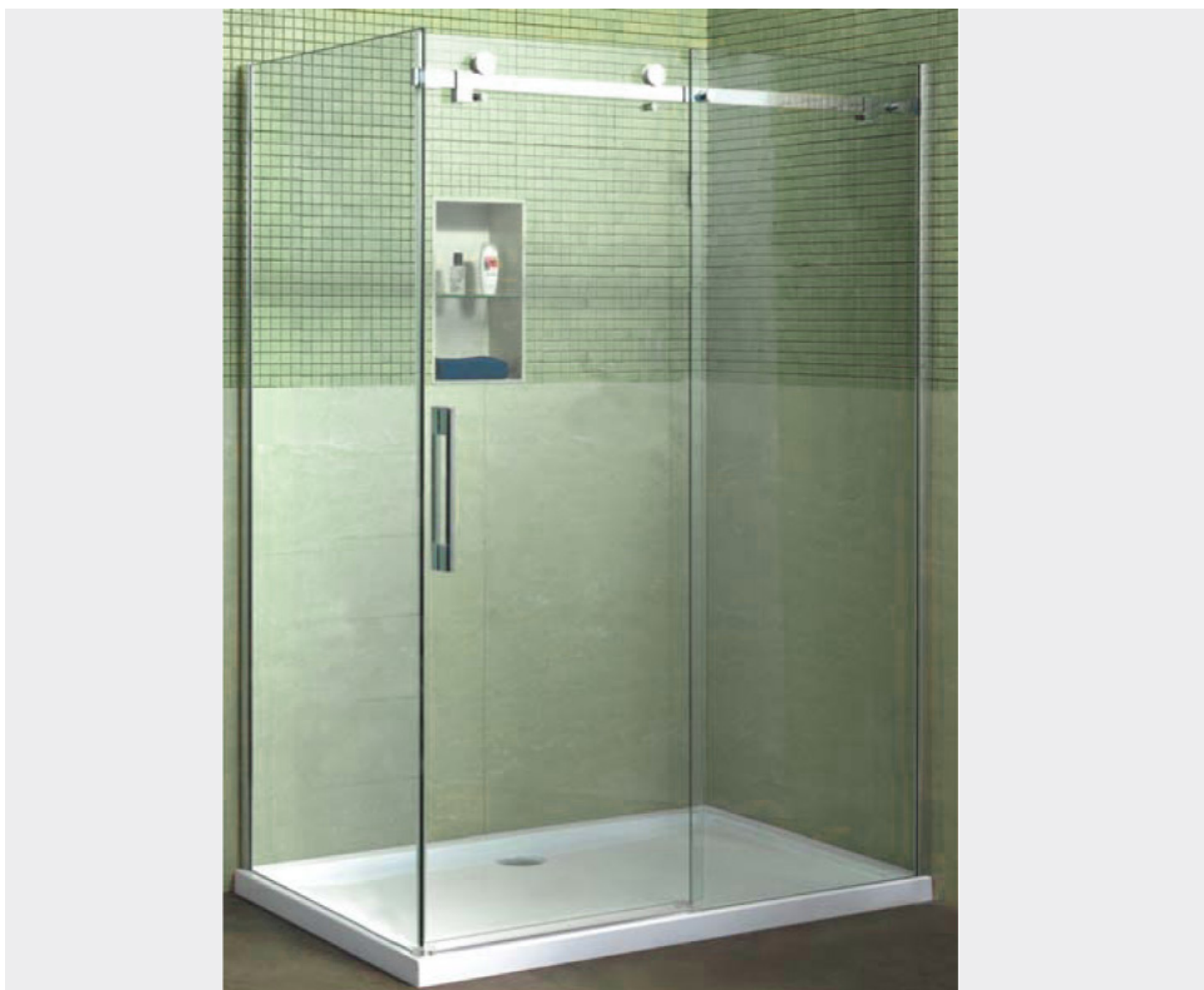


ProLine PL60 - PL70 - PL80 RETURN PANEL SUPPLEMENT



Three-Year Limited Residential Warranty

Alumax Bath Enclosures by Hydro is pleased to warrant to its dealers and residential customers that the products supplied by it shall be free from defects in material and workmanship for three (3) years from purchase of the product, provided they are installed and maintained according to the manufacturer's recommended practices and installation instructions.¹ The Alumax Limited Warranty applies to the original residential owner only, and is not transferable.

**Proof of Purchase and/or Registration of the product required for warranty coverage.
Registration instructions accompany the product or available at www.alumaxshowerdoor.com.**

What Will Alumax Do?

Alumax will repair or replace, at its discretion, any product found to be defective in material or workmanship during the applicable warranty period. Labor is not included. In the case of discontinued products subject to warranty coverage, Alumax reserves the right to substitute comparable product of equivalent function.

What is Not Covered?

This limited warranty applies only to materials and workmanship supplied by Alumax. This limited warranty does not cover glass (claims of glass breakage are excluded) or outside fabrication provided by others. It excludes all wear items and does not cover defects caused by improper installation of the product. Laws and building and safety codes governing the design and use of bathrooms vary widely. Alumax does not control the selection of product, configurations, operating hardware or glazing materials, and assumes no responsibility for such.

ALUMAX DOES NOT MAKE ANY OTHER REPRESENTATIONS OR WARRANTIES, EXPRESS OR IMPLIED, INCLUDING, BUT NOT LIMITED TO, ANY IMPLIED WARRANTY OF MERCHANTABILITY OR ANY IMPLIED WARRANTY OF FITNESS FOR A PARTICULAR PURPOSE. TO THE EXTENT ANY IMPLIED WARRANTIES ARE IMPLIED UNDER STATE LAW, SUCH WARRANTIES ARE LIMITED TO THE DURATION OF THE APPLICABLE LIMITED WARRANTY TIME FRAME OF THREE (3) YEARS.

IN NO EVENT SHALL ALUMAX BE LIABLE FOR SPECIAL, DIRECT, INDIRECT, OR CONSEQUENTIAL DAMAGES, INCLUDING, BUT NOT LIMITED TO, LOSS OF USE OR PROFITS, PERSONAL INJURY, OR DAMAGE TO OTHER PROPERTY.

Some states do not allow the exclusion or limitation of implied warranties, or the exclusion or limitation of special, incidental or consequential damages, therefore these limitations and exclusions may not apply to you.

This warranty gives you specific legal rights, and you may also have other rights which vary from state to state.

How do You Get Warranty Assistance?

To make a claim under the terms of this Limited Warranty, contact your local Alumax Dealer or call or write Alumax Consumer Service at 800-643-1514, 248 W. Greene St., Magnolia, AR 71753. Proof of Purchase and/or Registration of the product is required for warranty coverage.

¹ The manufacturer's recommended practices and installation instructions are available at www.alumaxshowerdoor.com, by contacting your local Alumax Dealer, or by calling or writing Alumax Customer Service at 800-643-1514, 248 W. Greene St., Magnolia, AR 71753.

!WARNINGS!

Alumax Bath Enclosures by Hydro are intended to be installed by experienced installers. If you need assistance with installation, or locating an experienced installer, contact Alumax Consumer Service at 800-643-1514 or go to our website at www.alumaxbathenclosure.com to access our "dealer locator". Ensure that the bath enclosure is installed appropriately. Improper installation can lead to hardware failure, glass breakage, leaking, other unidentified issues, and may cause nullification of warranty.

Wear safety glasses when drilling or cutting to avoid injury to the eyes.

When drilling holes in ceramic tile or marble, use a center punch and hammer to carefully break the surface glaze so the drill can start without skidding. A skidding drill can cause damage to the surface and can be dangerous (risk of personal injury).

Use caution and proper technique whenever using tools to avoid damage to property and/or personal injury.

Shower doors are not leak-proof. They are designed to prevent leaks under normal shower conditions. Excessive water pressure or directing the shower directly at the door can result in leaks.

Do not hang on towel bars or handles or use them to support your weight getting in and out of the bathtub or shower. Towel bars and handles are not intended to be used as grab bars for assistance getting in and out of the shower or bathtub. They are not intended to support a person's weight and could break.

Do not use excessive force when opening and closing shower doors. Excessive force could lead to glass breakage or other damage to the enclosure.

Contact your dealer for all warranty repair(s). This includes loose screws, broken parts, missing parts, glass replacement or any other product concern. Additionally, if the door does not open or close properly, contact your dealer to inspect the door and to make adjustments if required. Do NOT try to make any repairs or adjustments to the unit.

!GLASS WARNINGS!

TEMPERED GLASS CANNOT BE CUT. Attempting to cut tempered glass will result in the glass breaking or shattering.

PROTECT THE EDGES OF THE GLASS. Never let the edge of the glass come in direct contact with concrete, tile, marble or other hard surfaces that may nick, or damage the glass edge in any way as this damage may cause a delayed blow. Always check the edge of the glass for nicks, slivers, rough areas, or clam shelling. Do not install the glass if these conditions are present.

USE CAUTION WHEN HANDLING GLASS PANELS. Safety tempered glass is very resistant to breakage, but it can still break if unequal pressure is placed on it during installation (or if cutting of the glass is attempted). In addition, the sharp corners of the panels can damage tile and floor coverings or cause injury.

Alumax Bath Enclosures by Hydro is not liable for glass breakage of any kind.

BEFORE BEGINNING INSTALLATION

Unpack your unit carefully and inspect for freight damage. Lay out and identify all parts using the instruction sheets as a reference. Before discarding the carton, check for small hardware bags that tend to fall into the bottom of the box. If any parts are damaged or missing, refer to the descriptions noted in the instructions when contacting your dealer for replacements.

To install your bath enclosure, you will need the following: tape measure, level, #2 Phillips screwdriver, flat screwdriver, drill, 1/8", 7/64" and 3/16" drill bits, hacksaw, pencil, and caulking (clear silicone recommended). Optional tools include a miter box for cutting parts to length, files, center punch and masking tape.

NOTE: Before beginning installation, check the tub rim for level and both walls for plumb. If either are off more than ¼" to 3/8", you may want to contact your dealer for tapered fillers which can be used to level the tub track or plumb the wall jams.

CARE AND CLEANING

The simplest and preferred method of cleaning your unit is by washing it with clean water and drying with a soft cloth.

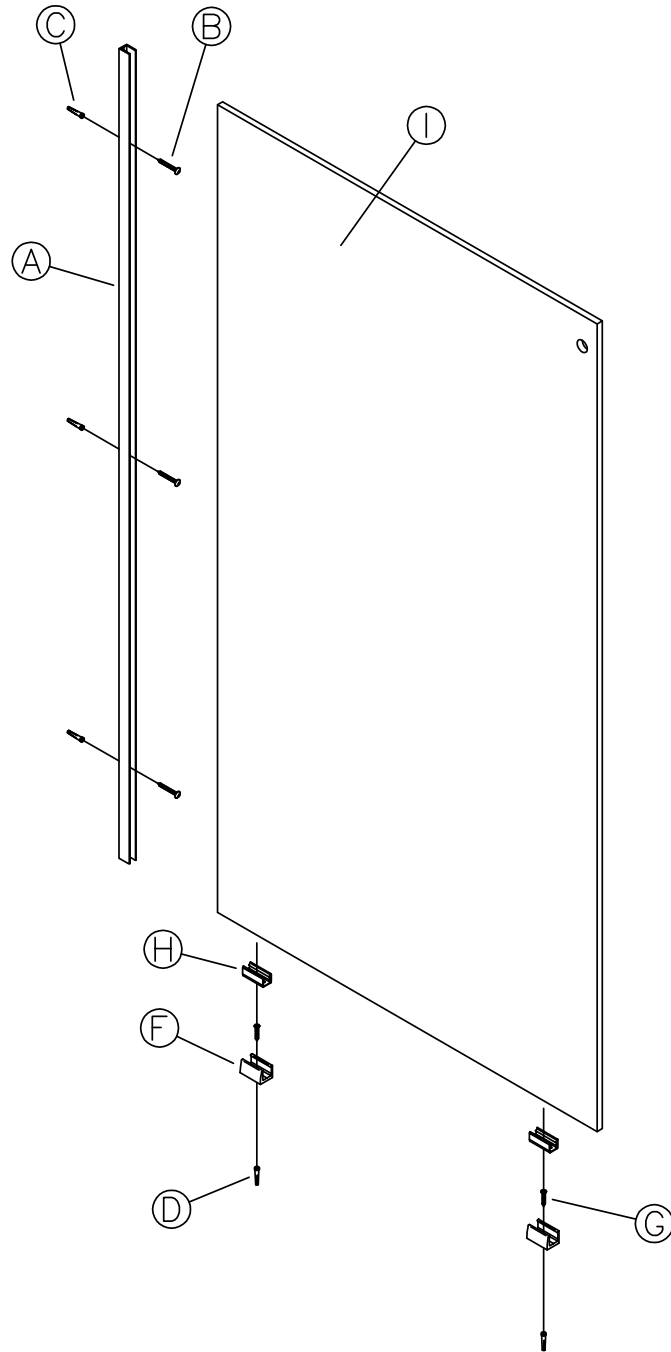
If soil is still present after drying, a non-abrasive cleanser with a pH of seven to eight may be used. Comet Bathroom Cleaner® has been tested and is recommended by the Bath Enclosure Manufacturers Association (BEMA).

Contact your dealer for more information about glass coatings that will help keep the glass clean.

DO NOT USE SCOURING PADS, SHARP INSTRUMENTS, BLEACH OR ACID-BASED CLEANSERS TO CLEAN THE UNIT AS THEY MAY DAMAGE THE UNIT.

PL RETURN PARTS LIST

- A** SC-658 Wall Jamb
- B** Wall Jamb Screw
- C** Wall Jamb Anchor
- D** Glass Clip Anchor
- F** Glass Clip
- G** Glass Clip Screw
- H** Glass Clip Vinyl
- I** Glass Return Panel
- I** Glass Return Panel

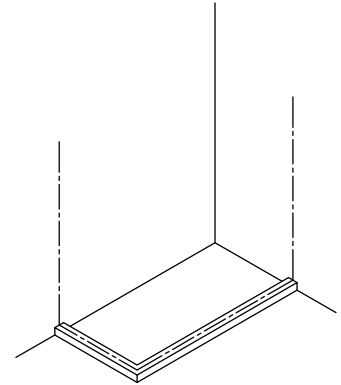


Notes:

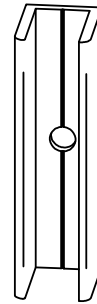
This is a two person installation.

All marks made on tile, marble or fiberglass should be made lightly in pencil so they can be removed after the installation is complete. An optional method is to use masking tape on the walls and sill that can be removed as the installation progresses.

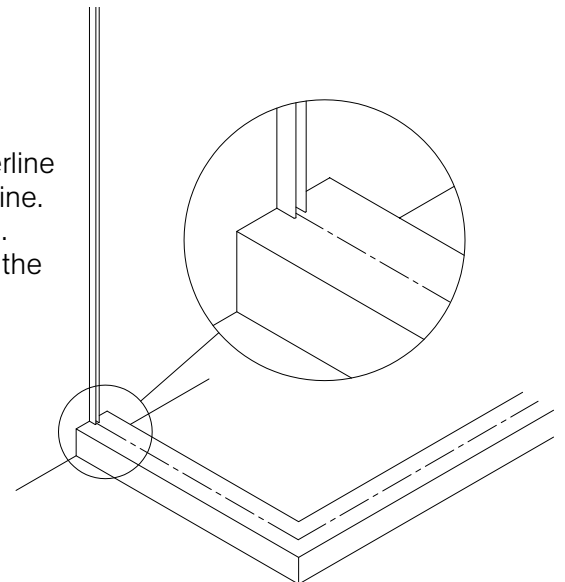
- 1** Establish Centerline – Lightly, mark the centerline of the unit on the sill and up the walls of the shower stall.



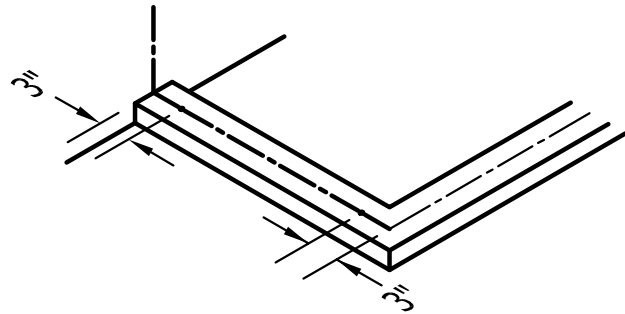
- 2** Wall Jamb Installation Preparation – Cut the SC-658 Wall Jamb [A] to the unit height. Drill three holes along the center of the channel of sufficient size to clear the Wall Jamb Screws [B]. There is a v-groove down the middle of the channel on the inside of the profile to help keep the holes centered. Drill one hole in the middle and the other two should be drilled six inches from each end.



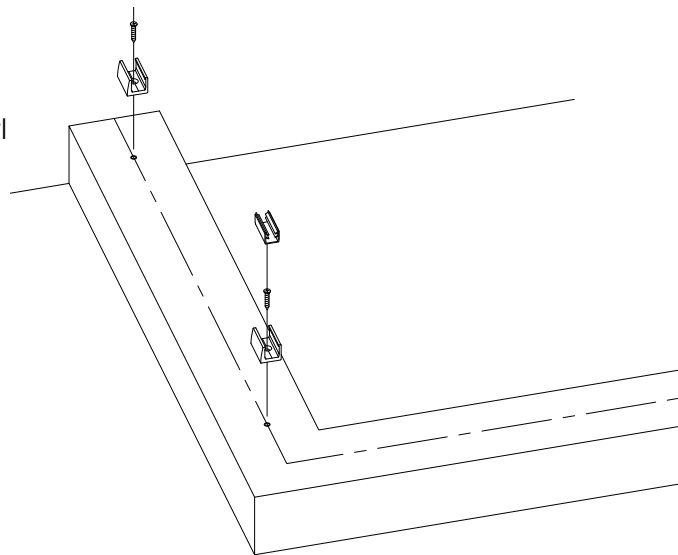
- 3** Mark the Wall Jamb Location – Place the SC-658 Wall Jamb [A] against the return wall with the holes lined up with the centerline marked in Step 1. Using a level, plumb the vertical glazing channel, making sure the vertical channel is plumb and lined up with the centerline of the bottom glass clips. Mark the center of all 3 holes on the centerline. Remove the wall jamb and drill all 3 locations for the Wall Anchors [C]. Clean the holes and the wall of debris. Insert the wall anchors, Mount the SC-658 Wall Jamb [A] to the return wall.



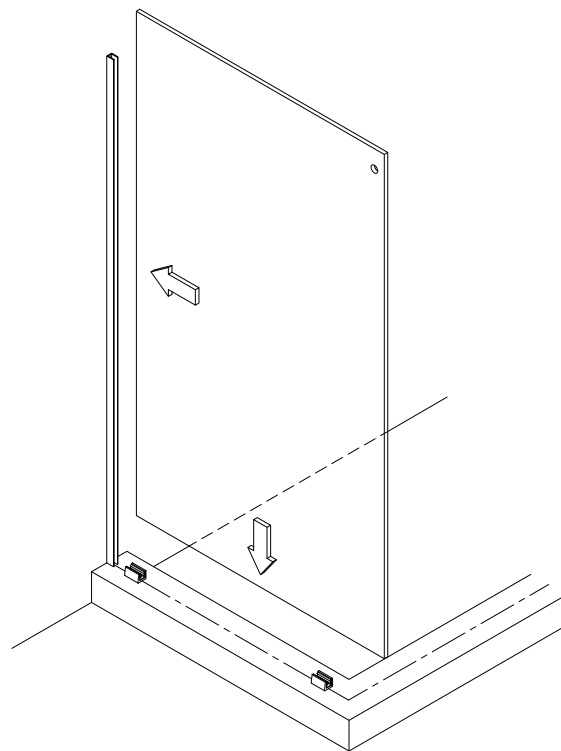
4 Return Clip Location - Mark the return centerline approximately three inches from the wall and the front centerline. Drill both locations $9/32"$. Clean the holes and sill of debris, squirt a little silicone into the holes and insert the Glass Clip Anchors [D].



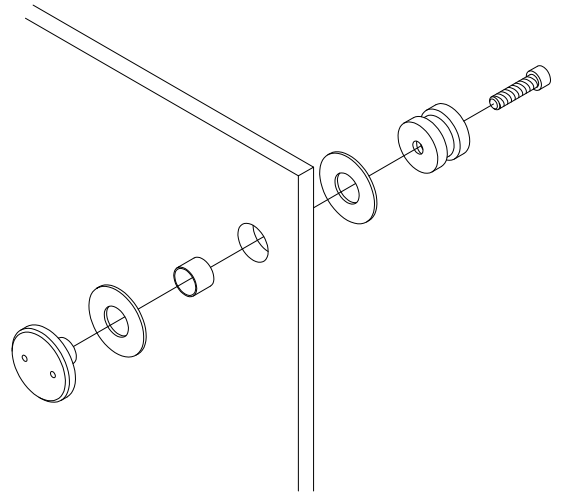
5 Glass Clip Installation – Install the glass clips using the Glass Clip Screws [G] provided. Install the Glass Clip Vinyl into the clips.



6 Return Panel Installation – You will need a light mark outside of the centerline, to determine where the outer edge of the Glass Return Panel [I] is. For a PL60, that mark should be $1-3/16"$. For a PL70 the mark should be $7/8"$. For a PL80 the mark should be $1-1/8"$. Orient the Glass Return Panel so that the return mount hole is toward the front of the enclosure. Slide the vertical edge of the glass into the SC-658 wall jamb. Line up the outside, vertical edge with the mark you just made and set the bottom edge of the glass into the Glass Clips.



7 Install the return mount through the hole in the return glass panel. A PL60 return mount is shown, for reference.



Things to Remember – There are two things to take into account during the installation of the “front” of the shower door.

- There will only be one wall mount bracket used. The other support for the header bar being the return mount (step 7).
- Refer to the PL (60, 70, or 80) Slider Installation Instructions to complete your install.