

ProLine PL50

FRAMELESS SLIDING ENCLOSURE



Three-Year Limited Residential Warranty

Alumax Bath Enclosures by Hydro is pleased to warrant to its dealers and residential customers that the products supplied by it shall be free from defects in material and workmanship for three (3) years from purchase of the product, provided they are installed and maintained according to the manufacturer's recommended practices and installation instructions.¹ The Alumax Limited Warranty applies to the original residential owner only, and is not transferable.

**Proof of Purchase and/or Registration of the product required for warranty coverage.
Registration instructions accompany the product or available at www.alumaxshowerdoor.com.**

What Will Alumax Do?

Alumax will repair or replace, at its discretion, any product found to be defective in material or workmanship during the applicable warranty period. Labor is not included. In the case of discontinued products subject to warranty coverage, Alumax reserves the right to substitute comparable product of equivalent function.

What is Not Covered?

This limited warranty applies only to materials and workmanship supplied by Alumax. This limited warranty does not cover glass (claims of glass breakage are excluded) or outside fabrication provided by others. It excludes all wear items and does not cover defects caused by improper installation of the product. Laws and building and safety codes governing the design and use of bathrooms vary widely. Alumax does not control the selection of product, configurations, operating hardware or glazing materials, and assumes no responsibility for such.

ALUMAX DOES NOT MAKE ANY OTHER REPRESENTATIONS OR WARRANTIES, EXPRESS OR IMPLIED, INCLUDING, BUT NOT LIMITED TO, ANY IMPLIED WARRANTY OF MERCHANTABILITY OR ANY IMPLIED WARRANTY OF FITNESS FOR A PARTICULAR PURPOSE. TO THE EXTENT ANY IMPLIED WARRANTIES ARE IMPLIED UNDER STATE LAW, SUCH WARRANTIES ARE LIMITED TO THE DURATION OF THE APPLICABLE LIMITED WARRANTY TIME FRAME OF THREE (3) YEARS.

IN NO EVENT SHALL ALUMAX BE LIABLE FOR SPECIAL, DIRECT, INDIRECT, OR CONSEQUENTIAL DAMAGES, INCLUDING, BUT NOT LIMITED TO, LOSS OF USE OR PROFITS, PERSONAL INJURY, OR DAMAGE TO OTHER PROPERTY.

Some states do not allow the exclusion or limitation of implied warranties, or the exclusion or limitation of special, incidental or consequential damages, therefore these limitations and exclusions may not apply to you.

This warranty gives you specific legal rights, and you may also have other rights which vary from state to state.

How do You Get Warranty Assistance?

To make a claim under the terms of this Limited Warranty, contact your local Alumax Dealer or call or write Alumax Consumer Service at 800-643-1514, 248 W. Greene St., Magnolia, AR 71753. Proof of Purchase and/or Registration of the product is required for warranty coverage.

¹ The manufacturer's recommended practices and installation instructions are available at www.alumaxshowerdoor.com, by contacting your local Alumax Dealer, or by calling or writing Alumax Customer Service at 800-643-1514, 248 W. Greene St., Magnolia, AR 71753.

!WARNINGS!

Alumax Bath Enclosures by Hydro are intended to be installed by experienced installers. If you need assistance with installation, or locating an experienced installer, contact Alumax Consumer Service at 800-643-1514 or go to our website at www.alumaxbathenclosure.com to access our "dealer locator". Ensure that the bath enclosure is installed appropriately. Improper installation can lead to hardware failure, glass breakage, leaking, other unidentified issues, and may cause nullification of warranty.

Wear safety glasses when drilling or cutting to avoid injury to the eyes.

When drilling holes in ceramic tile or marble, use a center punch and hammer to carefully break the surface glaze so the drill can start without skidding. A skidding drill can cause damage to the surface and can be dangerous (risk of personal injury).

Use caution and proper technique whenever using tools to avoid damage to property and/or personal injury.

Shower doors are not leak-proof. They are designed to prevent leaks under normal shower conditions. Excessive water pressure or directing the shower directly at the door can result in leaks.

Do not hang on towel bars or handles or use them to support your weight getting in and out of the bathtub or shower. Towel bars and handles are not intended to be used as grab bars for assistance getting in and out of the shower or bathtub. They are not intended to support a person's weight and could break.

Do not use excessive force when opening and closing shower doors. Excessive force could lead to glass breakage or other damage to the enclosure.

Contact your dealer for all warranty repair(s). This includes loose screws, broken parts, missing parts, glass replacement or any other product concern. Additionally, if the door does not open or close properly, contact your dealer to inspect the door and to make adjustments if required. Do NOT try to make any repairs or adjustments to the unit.

!GLASS WARNINGS!

TEMPERED GLASS CANNOT BE CUT. Attempting to cut tempered glass will result in the glass breaking or shattering.

PROTECT THE EDGES OF THE GLASS. Never let the edge of the glass come in direct contact with concrete, tile, marble or other hard surfaces that may nick, or damage the glass edge in any way as this damage may cause a delayed blow. Always check the edge of the glass for nicks, slivers, rough areas, or clam shelling. Do not install the glass if these conditions are present.

USE CAUTION WHEN HANDLING GLASS PANELS. Safety tempered glass is very resistant to breakage, but it can still break if unequal pressure is placed on it during installation (or if cutting of the glass is attempted). In addition, the sharp corners of the panels can damage tile and floor coverings or cause injury.

Alumax Bath Enclosures by Hydro is not liable for glass breakage of any kind.

BEFORE BEGINNING INSTALLATION

Unpack your unit carefully and inspect for freight damage. Lay out and identify all parts using the instruction sheets as a reference. Before discarding the carton, check for small hardware bags that tend to fall into the bottom of the box. If any parts are damaged or missing, refer to the descriptions noted in the instructions when contacting your dealer for replacements.

To install your bath enclosure, you will need the following: tape measure, level, #2 Phillips screwdriver, flat screwdriver, drill, 1/8", 7/64" and 3/16" drill bits, hacksaw, pencil, and caulking (clear silicone recommended). Optional tools include a miter box for cutting parts to length, files, center punch and masking tape.

NOTE: Before beginning installation, check the tub rim for level and both walls for plumb. If either are off more than ¼" to 3/8", you may want to contact your dealer for tapered fillers which can be used to level the tub track or plumb the wall jams.

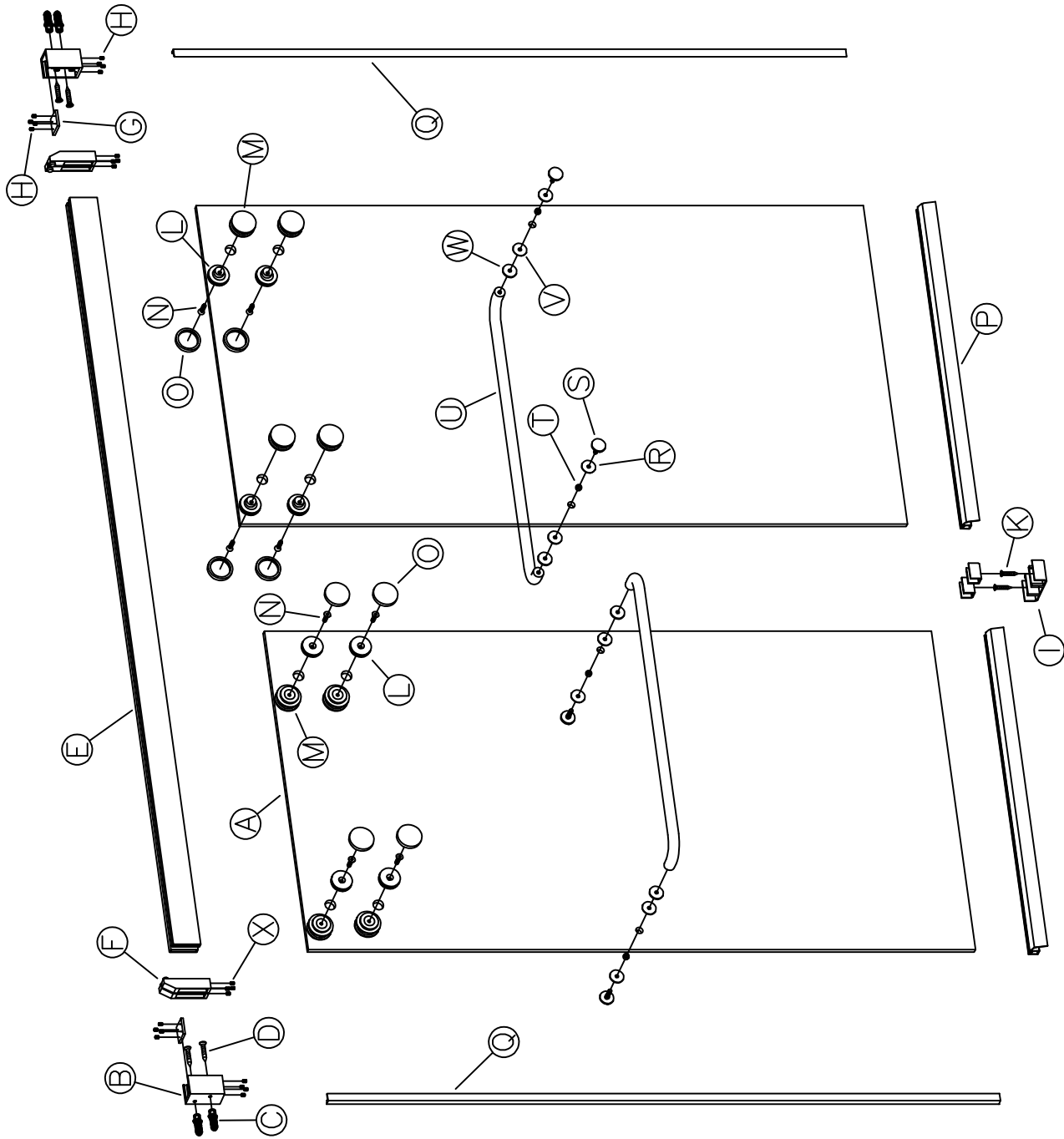
CARE AND CLEANING

The simplest and preferred method of cleaning your unit is by washing it with clean water and drying with a soft cloth.

If soil is still present after drying, a non-abrasive cleanser with a pH of seven to eight may be used. Comet Bathroom Cleaner® has been tested and is recommended by the Bath Enclosure Manufacturers Association (BEMA).

Contact your dealer for more information about glass coatings that will help keep the glass clean.

DO NOT USE SCOURING PADS, SHARP INSTRUMENTS, BLEACH OR ACID-BASED CLEANSERS TO CLEAN THE UNIT AS THEY MAY DAMAGE THE UNIT.



PL50 PARTS LIST

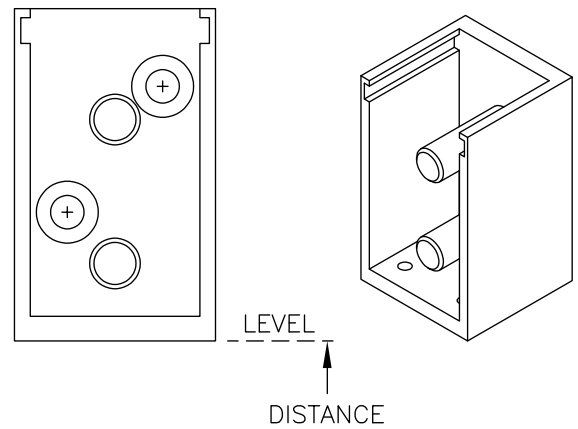
- A** 2 Door Panel
- B** 2 Wall Mount Bracket
- C** 4 Wall Anchor
- D** 4 Wall Mount Bracket Screw
- E** 1 Header Bar
- F** 4 Stopper
- G** 2 Wall Mount Cover
- H** 8 Wall Mount Set Screw
- I** 1 Center Guide
- J** 2 Center Guide Insert
- K** 2 Center Guide Screw
- L** 8 Roller Cap
- M** 8 Roller
- N** 8 Roller Screw
- O** 8 Roller Cover
- P** 2 Bottom Seal
- Q** 2 L Jamb
- R** 4 Large Hole Plastic Washer
- S** 4 End Cap
- T** 4 Plastic Inserts
- U** 2 Towel Bar
- V** 4 Small Hole Plastic Washer
- W** 4 Metal Washer
- X** 8 Stopper Set Screw

1 Measure one of the glass Door Panels **[A]** and subtract 4 1/2". That is the distance up from the sill that you will place the BOTTOM of the two Wall Mount Brackets **[B]**. Using a wall mount bracket as a guide, and holding it level, mark the hole locations on the walls, making sure that it is located so that the center guide can be installed properly in Step 5 of this instruction. Drill the four holes 3/8" diameter. Insert the four Wall Anchors **[C]** into the holes and attach the wall mount brackets with the four Wall Mount Bracket Screws **[D]**.

NOTE: For an out of level sill, install the wall mount bracket on the high side as described, and use a level and the cut header bar (step 2) to locate and install the opposing bracket.

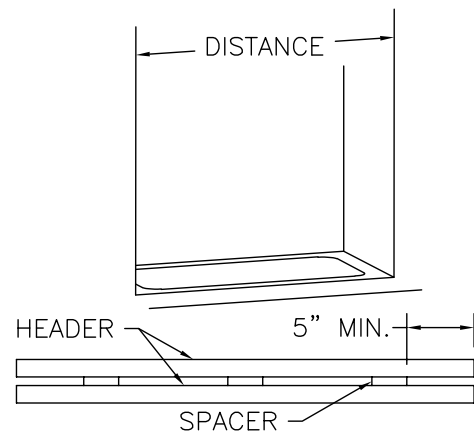
NOTE: There are four large anchors and two smaller ones used to mount the center guide in Step 5 of this installation instruction.

OPTIONAL: If the anchors are not used, Drill a 1/4" diameter clearance hole, just through the tile and a pilot hole into the wall stud. Install the wall mount brackets as described above.

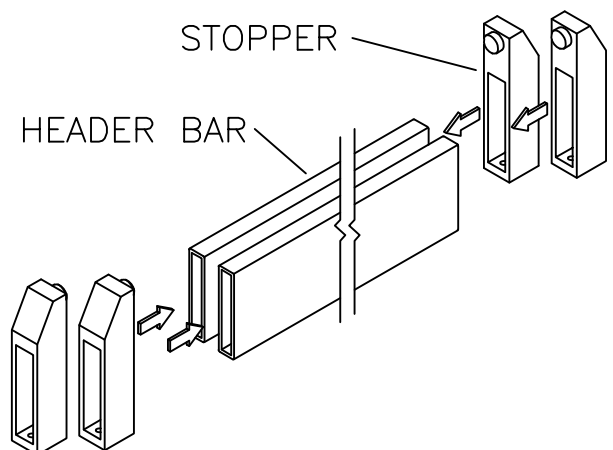


2 Measure the distance across the opening near the top of where the shower door is going to be. Subtract 3/4" and cut the Header Bar **[E]** to that length. File down any burrs created by cutting the header bar.

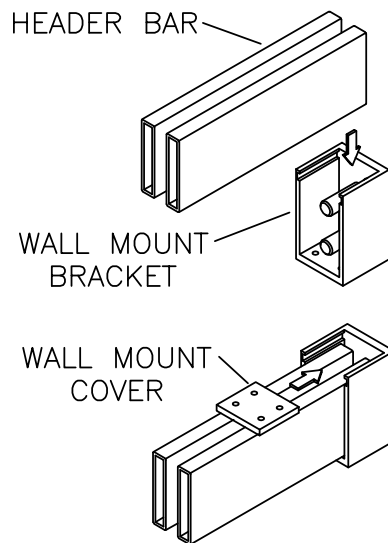
NOTE: There are spacers placed down the length of the header, between the two rectangular tubes. You will need approximately 5 inches on each end with no spacers, to get the Stoppers **[F]** positioned correctly. You may have to make two cuts.



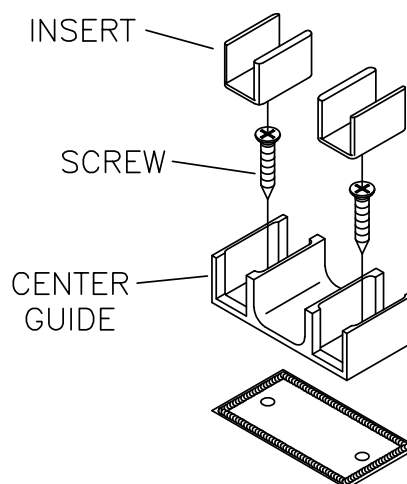
3 Slide two Stoppers **[F]** over each end of the header bar, with the rubber bumper on the top side of the bar and pointing towards the middle of the header bar. Do not tighten the set screws at this point.



4 Set the header bar and stopper assembly into the wall mount bracket, from the top. Slide a Wall Mount Cover [G] into the wall mount bracket. Tighten the wall mount, and wall mount cover set screws [H] until the header bar is secure. This will prevent rattles in the header bar.

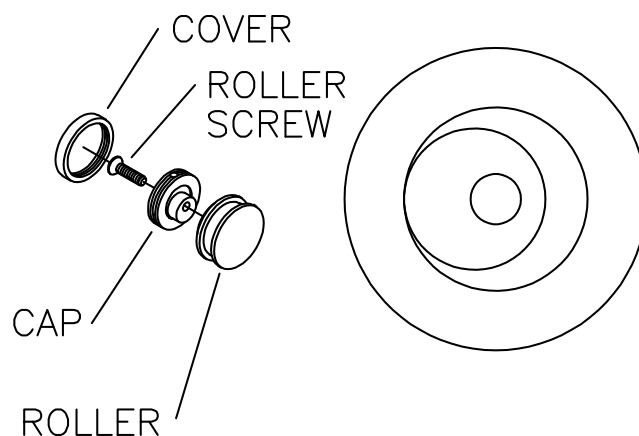


5 Locate the center of the sill at the middle of the header bar. From the Center Guide [I] remove the two Center Guide Inserts [J] to expose the mounting holes. Using the center guide as a pattern, mark the location for the two holes and lightly trace the outline of the center guide on the sill. Drill two 5/16" holes. A little silicone in the holes will help seal the holes and prevent moisture from entering the sill. Place the center guide anchors into the holes. Put a small bead of silicone around the interior of the outline for the center guide. Set the center guide in place and secure it with the two Center Guide Screws [K]. Replace the center guide inserts with the thicker legs to the inside of the center guide.

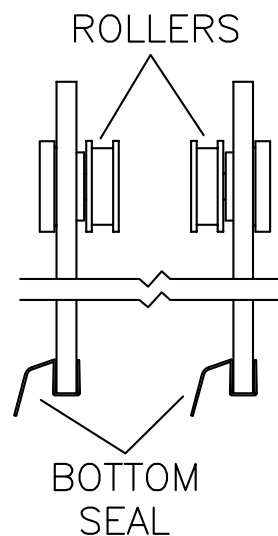


6 Place the male portion of a Roller Cap [L] into a top hole in a glass panel, in a neutral position as shown. Attach a Roller [M] to the cap, using a Roller Screw [N]. Screw the threaded Roller Cover [O] onto the cap. Repeat for the other three top holes. The lower four rollers will be installed later.

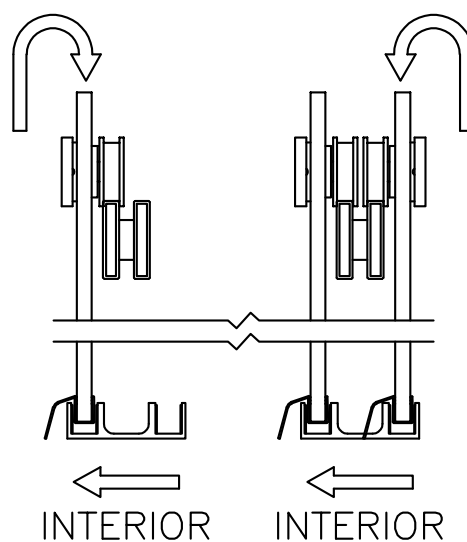
NOTE: The door glass can be adjusted, up or down, later by removing the roller cover, loosening the roller screw and rotating the cam action roller cap.



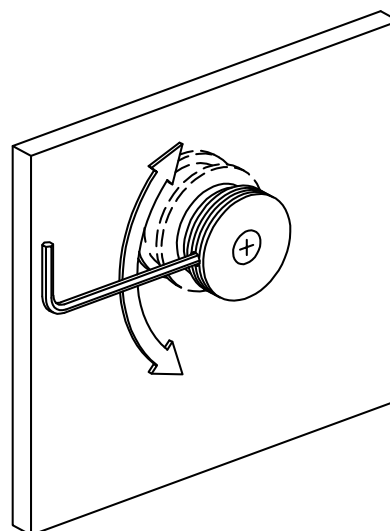
7 Place the two Bottom Seals **[P]** over the bottom of both door panels. One seal needs to be positioned with the sweep leg is on the same side as the roller. The other seal should be installed with the sweep leg on the side with the cap cover.



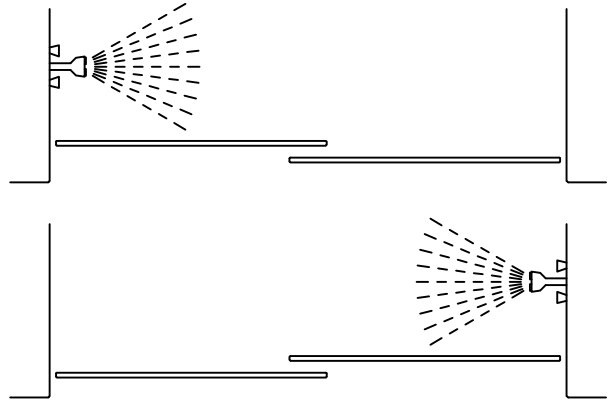
8 Push the stoppers to the outside of the bar, on both ends. You will need to hang the interior door panel first. It is the panel that, when held, has the rollers near you and the sweep leg of the bottom seal on the opposite side. Lift the rollers above the bar and making sure that the bottom engages the center guide, lower the interior panel onto the header bar. Repeat for the exterior panel.



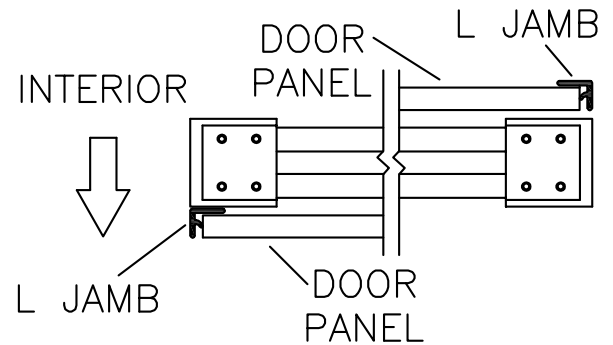
9 Install the 4 lower roller assemblies at this point. Before fully tightening the roller screws, rotate the cap to raise the roller until it contacts the bottom of the bar. Using an allen wrench in the hole on the edge of the roller cap may help.



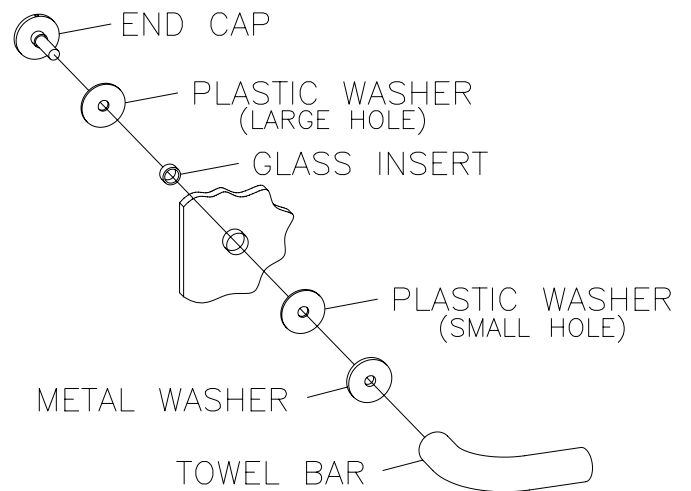
10 For maximum water-proofing, the interior panel should always be positioned closest to the shower head, as shown in this illustration.



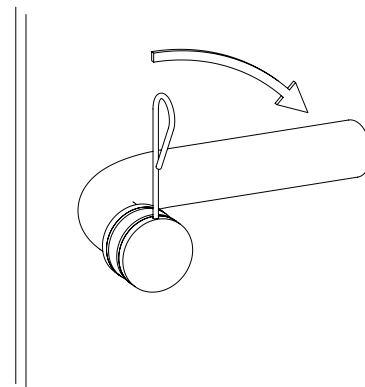
11 The vinyl L Jamb [Q] are installed on the outside of both door panels. The walls need to be clean and free of any dust. Use a pencil to lightly mark where the exterior edge of the glass meets the wall to use as a guide. To install the two L Jamb, peel the red tape off the mating surface and stick them to the walls, oriented as shown. Press the mating surface firmly to the walls down the entire length of the L Jamb.



12 Locate the four, large hole, plastic washers [R] and place them over the threads and flush with the four end caps [S]. Next, place the four Plastic Inserts [T] onto the four end caps and flush with the plastic washers. The towel bars [U] will be installed on the same side of the panels as the roller covers. Insert the threaded portion of an end cap through one of the holes in a glass panel, making sure that it is located on the same side as the roller covers. Place a Small Hole Plastic Washer [V] and a Metal Washer [W] on the end cap threads. Now, loosely, thread the towel bar onto the exposed threads of the end cap. Make another end cap assembly, and thread into the other end of the towel bar. Repeat this process for the other glass panel.



13 Insert the wrench (in the towel bar box) into the small hole on the edge of an end cap and rotate in a clockwise direction until tight. Repeat for all remaining end caps.



14 Move the exterior panel until it just touches the L jamb on the side determined in step 10. Slide the bumper over until the rubber contacts the roller wheel. Tighten the Stopper Set Screws **[X]** on the bottom until tight. Move the exterior door to the opposite wall until it is approximately 1/4" from contacting the wall. Slide the stopper over until it contacts the roller wheel and tighten the set screws on the bottom. The stoppers for the interior panel will be set in the same fashion.

