

ProLine PL60

HEAVY FRAMELESS BYPASS BATH ENCLOSURE



Three-Year Limited Residential Warranty

Alumax Bath Enclosures by Hydro is pleased to warrant to its dealers and residential customers that the products supplied by it shall be free from defects in material and workmanship for three (3) years from purchase of the product, provided they are installed and maintained according to the manufacturer's recommended practices and installation instructions.¹ The Alumax Limited Warranty applies to the original residential owner only, and is not transferable.

**Proof of Purchase and/or Registration of the product required for warranty coverage.
Registration instructions accompany the product or available at www.alumaxshowerdoor.com.**

What Will Alumax Do?

Alumax will repair or replace, at its discretion, any product found to be defective in material or workmanship during the applicable warranty period. Labor is not included. In the case of discontinued products subject to warranty coverage, Alumax reserves the right to substitute comparable product of equivalent function.

What is Not Covered?

This limited warranty applies only to materials and workmanship supplied by Alumax. This limited warranty does not cover glass (claims of glass breakage are excluded) or outside fabrication provided by others. It excludes all wear items and does not cover defects caused by improper installation of the product. Laws and building and safety codes governing the design and use of bathrooms vary widely. Alumax does not control the selection of product, configurations, operating hardware or glazing materials, and assumes no responsibility for such.

ALUMAX DOES NOT MAKE ANY OTHER REPRESENTATIONS OR WARRANTIES, EXPRESS OR IMPLIED, INCLUDING, BUT NOT LIMITED TO, ANY IMPLIED WARRANTY OF MERCHANTABILITY OR ANY IMPLIED WARRANTY OF FITNESS FOR A PARTICULAR PURPOSE. TO THE EXTENT ANY IMPLIED WARRANTIES ARE IMPLIED UNDER STATE LAW, SUCH WARRANTIES ARE LIMITED TO THE DURATION OF THE APPLICABLE LIMITED WARRANTY TIME FRAME OF THREE (3) YEARS.

IN NO EVENT SHALL ALUMAX BE LIABLE FOR SPECIAL, DIRECT, INDIRECT, OR CONSEQUENTIAL DAMAGES, INCLUDING, BUT NOT LIMITED TO, LOSS OF USE OR PROFITS, PERSONAL INJURY, OR DAMAGE TO OTHER PROPERTY.

Some states do not allow the exclusion or limitation of implied warranties, or the exclusion or limitation of special, incidental or consequential damages, therefore these limitations and exclusions may not apply to you.

This warranty gives you specific legal rights, and you may also have other rights which vary from state to state.

How do You Get Warranty Assistance?

To make a claim under the terms of this Limited Warranty, contact your local Alumax Dealer or call or write Alumax Consumer Service at 800-643-1514, 248 W. Greene St., Magnolia, AR 71753. Proof of Purchase and/or Registration of the product is required for warranty coverage.

¹ The manufacturer's recommended practices and installation instructions are available at www.alumaxshowerdoor.com, by contacting your local Alumax Dealer, or by calling or writing Alumax Customer Service at 800-643-1514, 248 W. Greene St., Magnolia, AR 71753.

!WARNINGS!

Alumax Bath Enclosures by Hydro are intended to be installed by experienced installers. If you need assistance with installation, or locating an experienced installer, contact Alumax Consumer Service at 800-643-1514 or go to our website at www.alumaxbathenclosure.com to access our "dealer locator". Ensure that the bath enclosure is installed appropriately. Improper installation can lead to hardware failure, glass breakage, leaking, other unidentified issues, and may cause nullification of warranty.

Wear safety glasses when drilling or cutting to avoid injury to the eyes.

When drilling holes in ceramic tile or marble, use a center punch and hammer to carefully break the surface glaze so the drill can start without skidding. A skidding drill can cause damage to the surface and can be dangerous (risk of personal injury).

Use caution and proper technique whenever using tools to avoid damage to property and/or personal injury.

Shower doors are not leak-proof. They are designed to prevent leaks under normal shower conditions. Excessive water pressure or directing the shower directly at the door can result in leaks.

Do not hang on towel bars or handles or use them to support your weight getting in and out of the bathtub or shower. Towel bars and handles are not intended to be used as grab bars for assistance getting in and out of the shower or bathtub. They are not intended to support a person's weight and could break.

Do not use excessive force when opening and closing shower doors. Excessive force could lead to glass breakage or other damage to the enclosure.

Contact your dealer for all warranty repair(s). This includes loose screws, broken parts, missing parts, glass replacement or any other product concern. Additionally, if the door does not open or close properly, contact your dealer to inspect the door and to make adjustments if required. Do NOT try to make any repairs or adjustments to the unit.

!GLASS WARNINGS!

TEMPERED GLASS CANNOT BE CUT. Attempting to cut tempered glass will result in the glass breaking or shattering.

PROTECT THE EDGES OF THE GLASS. Never let the edge of the glass come in direct contact with concrete, tile, marble or other hard surfaces that may nick, or damage the glass edge in any way as this damage may cause a delayed blow. Always check the edge of the glass for nicks, slivers, rough areas, or clam shelling. Do not install the glass if these conditions are present.

USE CAUTION WHEN HANDLING GLASS PANELS. Safety tempered glass is very resistant to breakage, but it can still break if unequal pressure is placed on it during installation (or if cutting of the glass is attempted). In addition, the sharp corners of the panels can damage tile and floor coverings or cause injury.

Alumax Bath Enclosures by Hydro is not liable for glass breakage of any kind.

BEFORE BEGINNING INSTALLATION

Unpack your unit carefully and inspect for freight damage. Lay out and identify all parts using the instruction sheets as a reference. Before discarding the carton, check for small hardware bags that tend to fall into the bottom of the box. If any parts are damaged or missing, refer to the descriptions noted in the instructions when contacting your dealer for replacements.

To install your bath enclosure, you will need the following: tape measure, level, #2 Phillips screwdriver, flat screwdriver, drill, 1/8", 7/64" and 3/16" drill bits, hacksaw, pencil, and caulking (clear silicone recommended). Optional tools include a miter box for cutting parts to length, files, center punch and masking tape.

NOTE: Before beginning installation, check the tub rim for level and both walls for plumb. If either are off more than ¼" to 3/8", you may want to contact your dealer for tapered fillers which can be used to level the tub track or plumb the wall jams.

CARE AND CLEANING

The simplest and preferred method of cleaning your unit is by washing it with clean water and drying with a soft cloth.

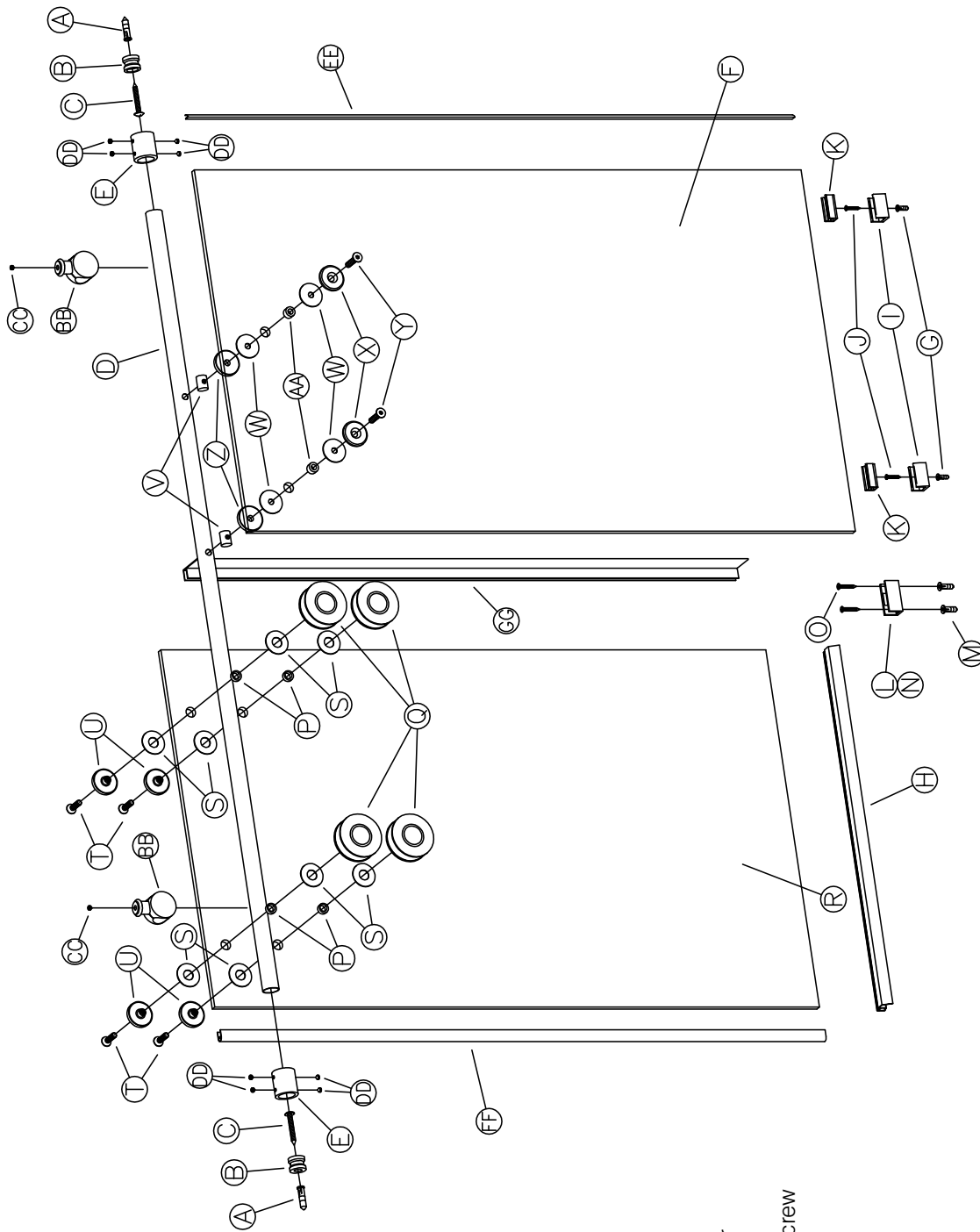
If soil is still present after drying, a non-abrasive cleanser with a pH of seven to eight may be used. Comet Bathroom Cleaner® has been tested and is recommended by the Bath Enclosure Manufacturers Association (BEMA).

Contact your dealer for more information about glass coatings that will help keep the glass clean.

DO NOT USE SCOURING PADS, SHARP INSTRUMENTS, BLEACH OR ACID-BASED CLEANSERS TO CLEAN THE UNIT AS THEY MAY DAMAGE THE UNIT.

PL60 PARTS LIST

- A** Wall Mount Anchor
- B** Wall Mount Block
- C** 1/4 x 2 Wall Mount Screw
- D** Header Bar
- E** Wall Mount Sleeve
- F** Fixed Glass Panel
- G** Clip Anchor
- H** Bottom Seal
- I** Glass Clip
- J** Glass Clip Screw
- K** Clip Vinyl Insert
- L** Center Guide
- M** Center Guide Anchor
- N** Center Guide Insert
- O** Center Guide Screw
- P** Roller Insert
- Q** Roller
- R** Door Glass Panel
- S** Roller Plastic Washer
- T** Roller Screw
- U** Roller Backing Plate
- V** Glass Mount Threaded Rod
- W** Glass Mount Plastic Washer
- X** Outer Glass Mount
- Y** 1/4 x 1 1/2" Glass Mount Screw
- Z** Inner Glass Mount
- AA** Glass Mount Insert
- BB** Stopper
- CC** Stopper Set Screw
- DD** Sleeve Set Screw
- EE** Wall Seal
- FF** Bulb Vinyl
- GG** Panel Seal

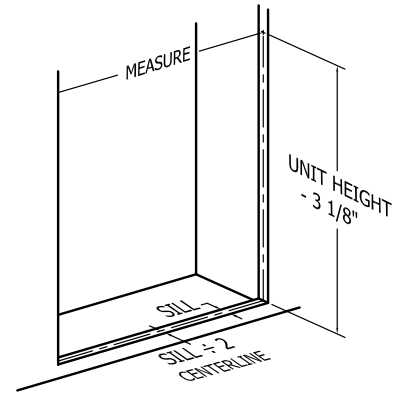


Notes:

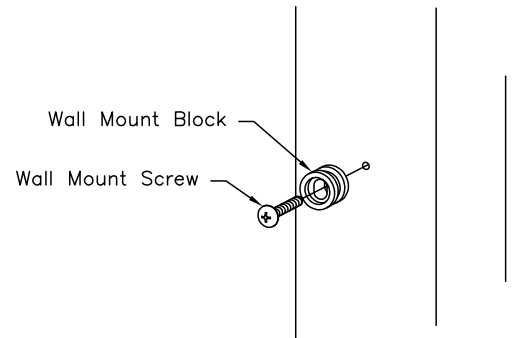
This is a two person installation.

All marks made on tile, marble or fiberglass should be made lightly in pencil so they can be removed after the installation is complete. An optional method is to use masking tape on the walls and sill that can be removed as the installation progresses.

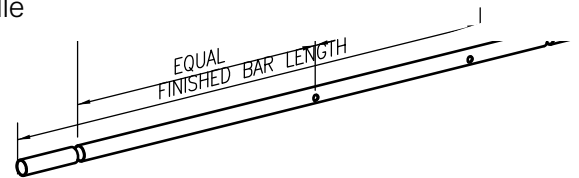
1 Establish Centerlines – The centerlines of the unit must be established on the shower sill and on the walls as well. Measure the width of the shower sill and mark the centerline down the middle. Transfer the centerline to the walls using a level. Mark Header Bar location at 3 1/8" less than the unit height, on the centerline. Measure, and write down, the distance between the two Wall Mount marks.



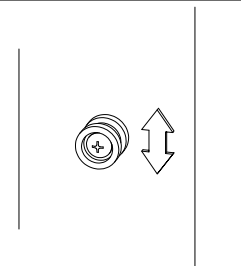
2 Bar Mount – Drill the Wall Mount holes 5/16". Insert the Wall Anchors [A] fully into the holes. Place the Wall Mount Blocks [B] against the wall with the counter bore to the middle of the enclosure. Using the 1/4 x 2" Truss head screws [C], attach the Wall Mount Block to the wall, with the slot in a vertical position and the screw centered in the block.



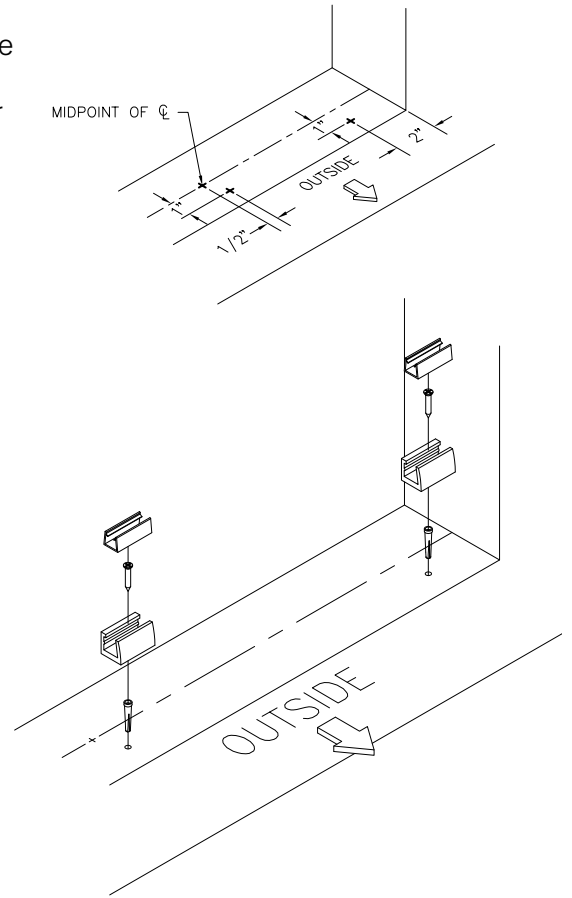
3 Bar Length - Measure the width of the fixed glass panel [F]. Subtract 2 3/8" from that dimension. Measure from the center of the middle hole in the bar to the fixed panel end of the bar and cut that end off (The fixed panel end is the one with the second hole in it). Now subtract 1 3/4" from the measurement taken in step 1, which is the overall width of the shower opening at the top. Then take that measure from the newly cut end of the bar to the uncut end and cut that end off of the bar.



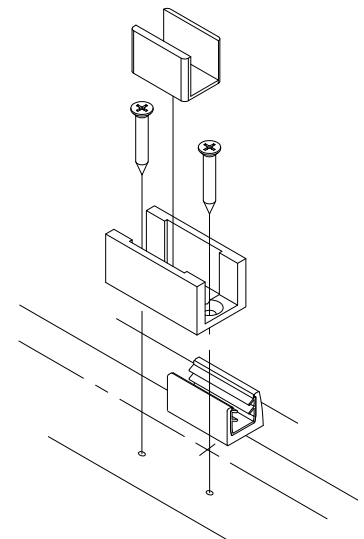
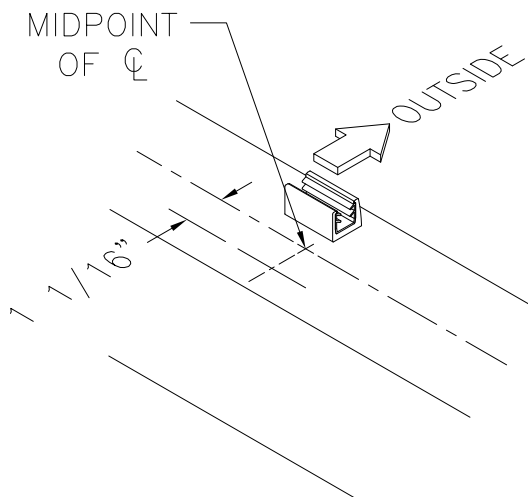
4 Level the Bar – Temporarily place the Wall Mount Sleeves [E] on each end of the Header Bar. Align the Header Bar with the Wall Mount Block, and slide the Wall Mount Sleeves over the Wall Mount Blocks. Place a level on the center of the Header Bar and check for level. If needed the Wall Mount Blocks can be raised, or lowered to make the Header Bar level. Once leveled, remove the Header Bar from the Wall Mount Blocks, and the Wall Mount Sleeves from the Header Bar. **NOTE:** A slight downward tilt on the door side of the Header Bar will help keep the door in the closed position while in use. A downward tilt on the Fixed Panel side will cause the door to open, allowing water leakage.



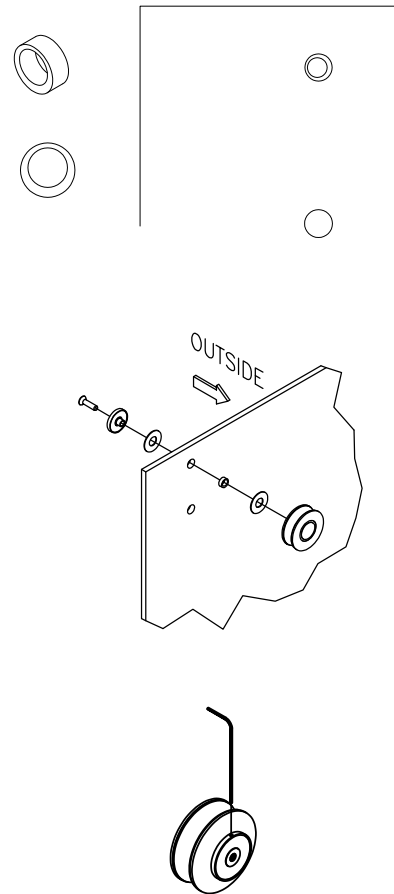
5 Fixed Panel Glass Clips – Mark the center point of the sill, along the centerline, established in step one. Make a mark 1/2" over toward the Fixed Panel [F] side and 1" outside of the centerline. Make another mark 2" over from the wall and 1" outside of the centerline. Drill a 1/4" hole at each of these marks. Clean the area around the holes and put a little silicone into each hole. Press the Clip Anchors [G] into the hole until fully seated. Mount the Glass Clips [I] with the Glass Clip screws [J]. Install the Vinyl [K] into the Glass Clips.



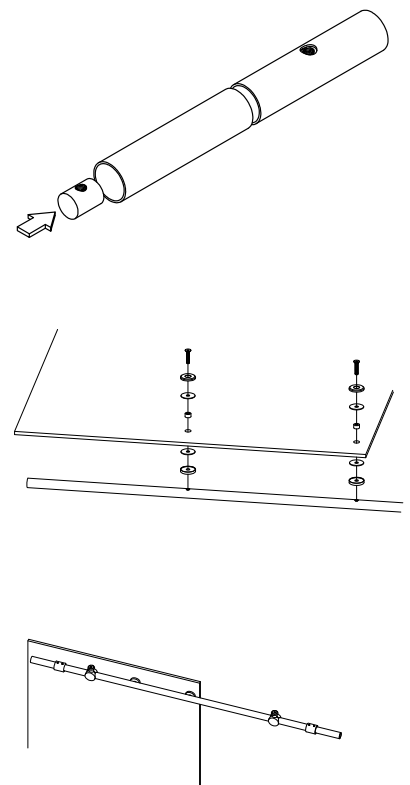
6 Center Guide – At the middle of the centerline, make a mark approximately 2" long and 1 1/16" to the inside of the enclosure. Place the Center Guide [L] on the new mark, centered on the middle of the centerline. Mark the center of the attachment holes and, remove the Center Guide. Drill two 5/16" holes at the marked locations. Clean the area around the holes and put a little silicone into each hole. Press the Center Guide Anchors [M] into the holes. Mount the Center Guide with the Center Guide Screws [O].



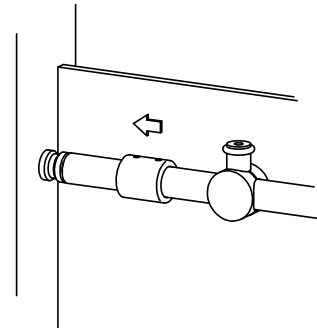
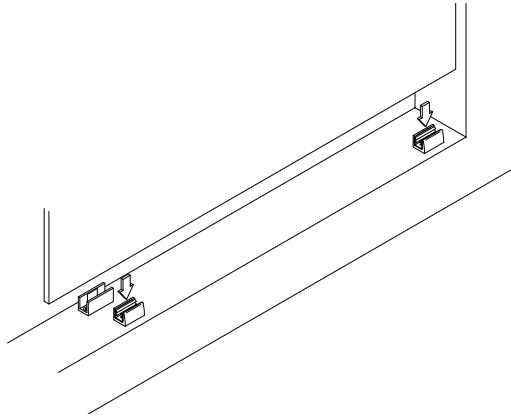
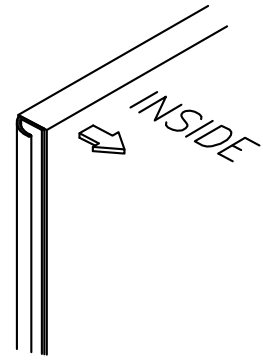
7 Door Panel – Notice that the Glass Insert [P] that is used when mounting the Rollers [Q] to the Door Glass [R] has an offset center hole. Mount the top Rollers to the glass with the offset holes in the Glass Insert to the left or right of the mounting holes. That will allow a slight up or down adjustment later. Make sure that there is a Plastic Washer [S] on either side of the Door Glass. Tighten the Rollers down with the Roller Screw [T] through the Roller Backing Plate [U]. To hold the threaded part of the roller while tightening, use a 3/32" Allen wrench or other thin rod through the hole on the edge of the backing plate. Install your handle option at this time. Place the Door Glass inside the shower enclosure with the Rollers facing out and the handle so that it is on the side of the enclosure that the door will strike against. **CAUTION:** Make sure that you set the Door Glass on something so that the glass and/or the floor of the enclosure is not damaged. Cardboard packing material works fine.



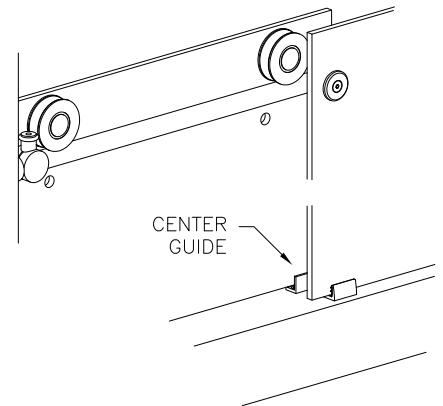
8 Load the Bar – Place the Fixed Panel [F] on a flat surface with the mounting holes hanging off the edge, and the inside of the panel facing down. Place the Header Bar on the Fixed Panel with the holes facing up. Using a thin rod, or straightened wire coat hanger, push the Glass Mount Threaded Rods [V] into the end of the Header Bar and line one up with each hole in the bar. Put a Glass Mount Plastic Washer [W] on the Outer Glass Mount [X] and put the 1/4" x 1 1/2" Flat Head Screw [Y] through them both and set the sub-assembly aside. Repeat for the other hole. Carefully, move the Bar below the glass panel and Line the middle hole of the bar up with the hole located 1 1/2" from the edge of the Fixed Panel. Put an Inner Glass Mount [Z] and a Plastic Washer over the center hole on the Header Bar and line it up with the hole closest to the edge of the glass panel. Place the Glass Insert [AA] into the hole and take one of the Outer Glass Mount sub assemblies and thread the screw into the Threaded Rod inside the Header Bar (**DO NOT TIGHTEN**). Do the same for the other Glass Mount. Place a Stopper [BB] on both ends of the Header Bar with the rubber o-ring on what will be the top of the shower, and slide it toward the middle and snug the Set Screw [CC] (**DO NOT TIGHTEN**). Slide a Wall Mount Sleeve [E] on both ends of the Header Bar with the flat facing the end of the bar, and snug one Set Screw [DD] (**DO NOT TIGHTEN**).



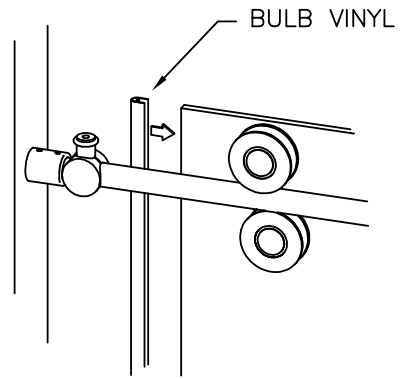
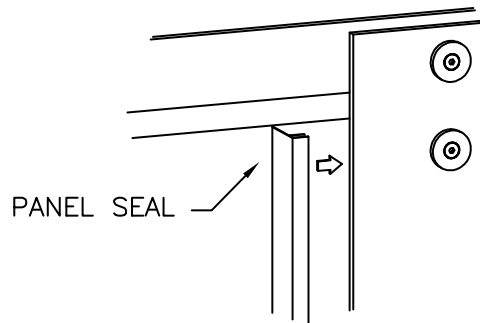
9 Fixed Panel Installation - Install the “peel-and-stick” Wall Seal [EE] on the wall side edge of the Fixed Panel. Orient it with the open end to the inside of the enclosure. Lift the Fixed Panel and set it in the Glass Clips with the edge as tight to the wall as possible. Loosen the Set Screws in the wall mount sleeves and slide them over the Wall Mount Blocks. Snug the Set Screws into the block (**DO NOT TIGHTEN**). Loosen, but do not remove, the Glass Mount Screws and make sure the Header Bar is still level, or has a slight tilt toward the door side. Small adjustments in the Header Bar can be made with the Set Screws in the Wall Mount Sleeves. Once you have the Header Bar set as you want it, and the Fixed Panel positioned correctly, tighten the Wall Mount Set Screws, then the Glass Mount Screws.



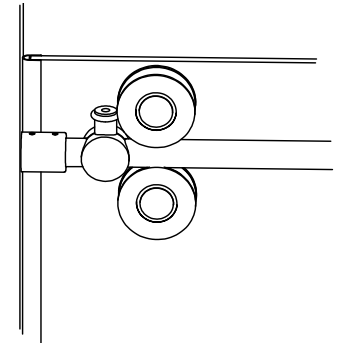
10 Door Panel Installation – Lift the Door Glass [R] and place the rollers on the bar, making sure to get the bottom edge of the Door Glass into the Center Guide. To adjust the Rollers, up or down, the Door Glass will have to be removed and the Rollers taken off. Rotate the Glass Insert to move the off-center hole to the top or bottom of the hole in the Door Glass. Rotating the Glass Insert to the bottom position will raise the Door Glass, rotating it to the top will lower it. Reinstall the Door Glass and Rollers, if necessary. Install the Rollers that go under the Header Bar, adjusting them so that they are as close to the bottom of the bar as possible.



11 Seal Installation – Cut the Bulb Vinyl [FF] to the vertical length of your Door Glass. Cut the Panel Seal [GG] to the length of the door glass minus 4". Press the Bulb Vinyl on the strike side of the Door Glass and the Panel Seal on the other, below the Header Bar. A small amount of silicone can be used between the glass and seal if you like.



12 Set the Stops – Move the door to the closed position. Slide the Stopper [BB] over until it touches the top roller on the strike side of the door. Tighten the Stopper Set Screw [CC] with the bumper in the up position. Move the door to the open position with the handle 1/4" - 1/2" from hitting the fixed panel. Slide the other stopper over until it just touches the top roller on the fixed side of the door. Tighten the Stopper Set Screw with the bumper in the up position.



13 Finishing Up – Make sure that all fasteners are tight. Clean all exposed marks you made on the sill and walls of the shower stall. Clean the glass panels.

14 Allow 24 hours for any silicone to completely cure, before using your new Alumax Shower Door.