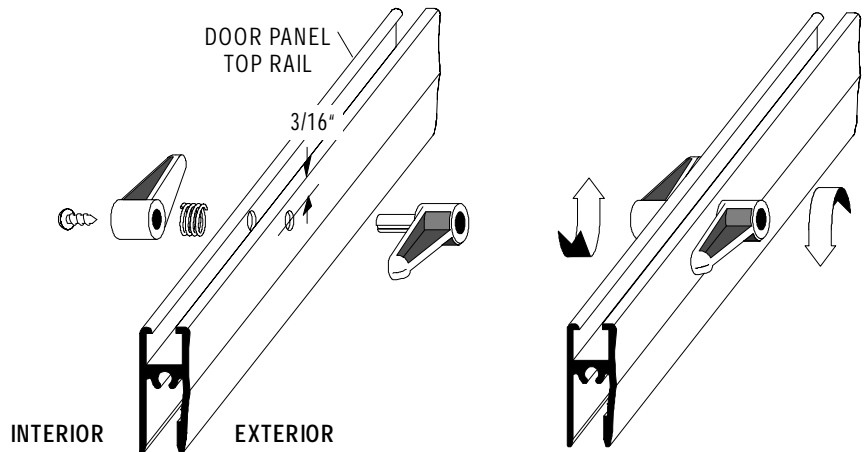


# 690/790 SERIES TRANSPORTATION LATCH

1

Open the door and drill a 1/4" hole located horizontally in the center of the top rail and vertically 3/16" from the top edge. Insert the exterior handle shaft into the 1/4" hole from the outside of the shower door. Place the spring in the cylindrical cavity on the interior handle. Fit the interior handle on the exterior handle shaft, rotated 180° in the opposite direction (*make sure the ends of the handles point in opposite directions*). Secure with a #6 x 1/2" pan head screw.



2

Close the door and rotate the exterior handle 90° downward causing the interior handle to rotate 90° upward and contacting the inside header surface. The interior handle will put pressure on the inside of the header keeping the door closed for transportation.

