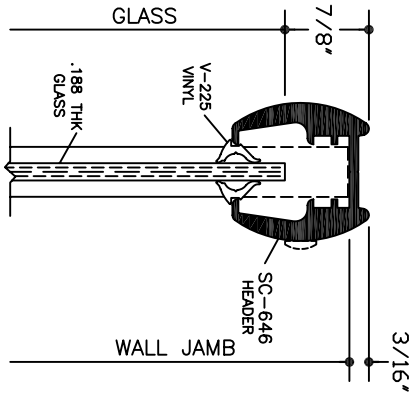
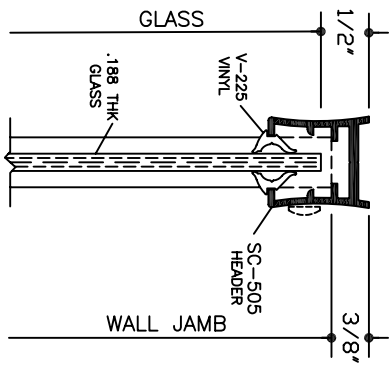
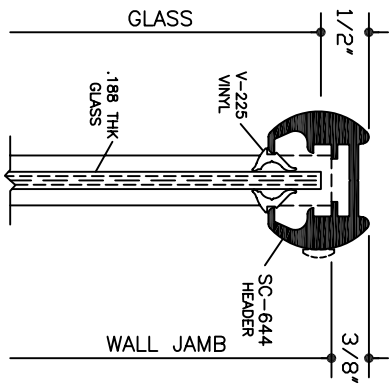


90° HEADER = CENTERLINE DIM. + 3/4" AT CORNER
 135° HEADER = CENTERLINE DIM. + 5/16" AT CORNER



90° HEADER = C. L. DIM. + 1/2" AT CORNER
 135° HEADER = C. L. DIM. + 3/16" AT CORNER



1/2 SIZE DETAIL

NOTE: Glazing material for all KD units and Glazed units must conform to Ansi Z97.1 and CPSC Standard 16 CFC 1201 Category I and II.

XHGHEADER.DWG
 DATE: 1-4-05

SERIES

DESIGNLINE
 HEADER DETAILS



ALUMAX
 BATH ENCLOSURES

a product of ALCOA
 PO Box 40 - Magnolia, AR 71754-0040 - (870) 234-4260
 www.alumaxbath.com