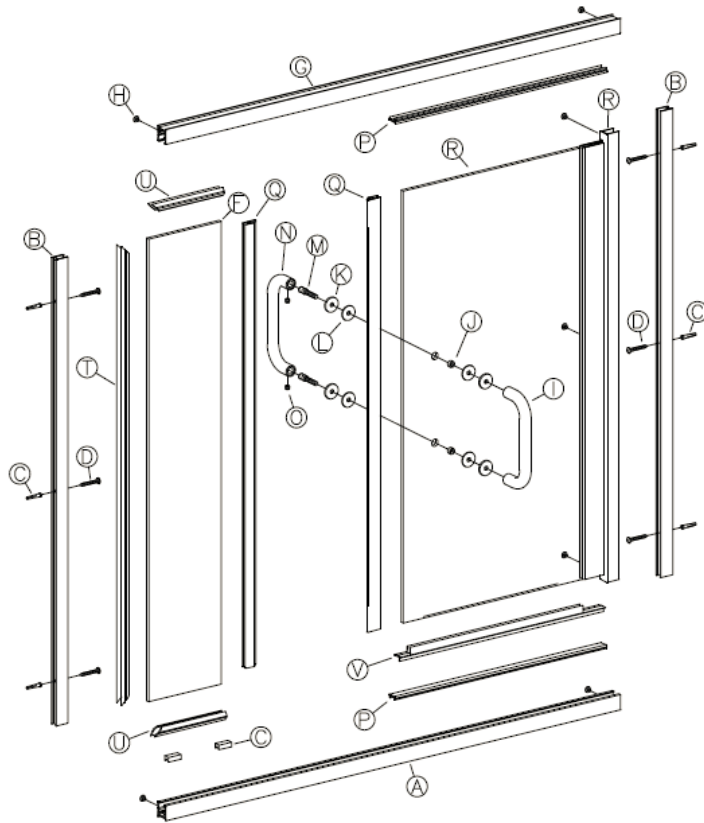


TECHNICAL SPECIFICATIONS – STIKSTALL

GLASS – 1/4" · Semi-Frameless · Standard Door Height 72", 76"

391CVM - Door/Panel

StikStall Unit - 1/4" Glass



STIKSTALL

- A. 1 Curb (with weep slots)
- B. 2 Wall Jamba
- C. 6 Plastic Wall Anchors
- D. 6 #8 x 1 1/2 Truss Head Screws
- E. 2 Plastic Setting Blocks
- F. 1 Fixed Glass Panel
- G. 1 Header
- H. 7 #8 x 1/4 Truss Head Screws
- I. 1 Handle w/o Set Screws
- J. 2 Plastic Bushings
- K. 4 Metal Washers
- L. 4 Plastic Washers
- M. 2 Cone Head Screws
- N. 1 Handle with Set Screws
- P. 2 Fillers
- Q. 2 Magnetic Strike Vinyl
- R. 1 Hinge Jamba
- S. 1 Door Panel Assembly
- T. 2 Vertical Glazing Vinyl (V-219)
- U. 4 Horizontal Glazing Vinyl (V-220)
- V. 1 Drip Vinyl

Glass Size

Door glass width as determined
 Door glass ht. = Unit ht. - 3 1/8
 Panel glass width = Unit width - door glass width - 3 1/4
 Panel glass ht. = Unit ht. - 1

Calculations

Maximum allowable width of unit = 60
 Maximum allowable height of unit = 76