

TECHNICAL SPECIFICATIONS – STIKSTALL

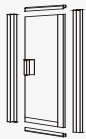
392 - Door with Return Panel

StikStall Unit - 3/16" Glass

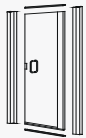


SC-505 Header Standard

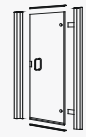
Options



390C
Standard
Door



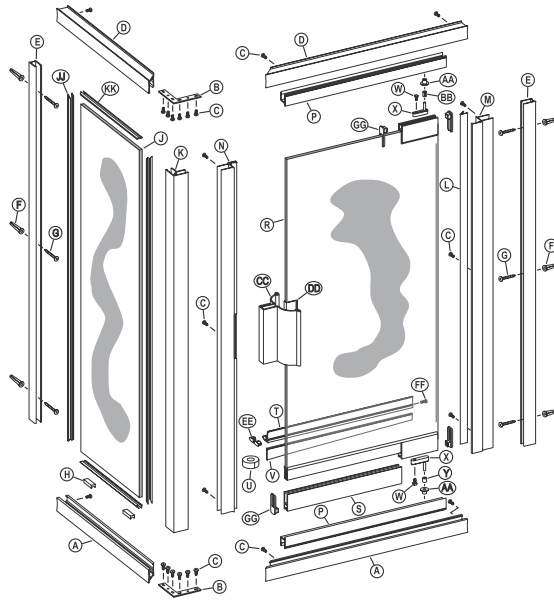
390CV
Standard
Door



390D
Standard
Door



SC-923
Light Euro
Header



- A.** 2 SC-505A Curb Sections (with weep slots)
- B.** 2 90° Anchor Plates
- C.** 24 #8 x 1/4 Truss Head Screws
- D.** 2 SC-505 Header Sections
- E.** 2 SC-508 Wall Jamb
- F.** 6 Plastic Wall Anchors
- G.** 6 #8 x 1 1/2 Truss Head Screws
- H.** 2 Plastic Setting Blocks
- J.** 1 Fixed Glass Panel
- K.** 1 SC-513 90° Post
- L.** 1 Clear Vinyl Pivot Jamb Seal
- M.** 1 SC-552 Pivot Jamb
- N.** 1 SC-552 Strike Jamb Assy (Magnetic)
- P.** 2 SC-507 Snap-in Fillers
- R.** 1 Glazed Door Panel
- S.** 1 Bottom Rail
- T.** 1 SC-589 Drip Rail
- U.** 1 Roll Double Stick Tape
- V.** 1 Tapered Drip Vinyl
- W.** 2 #10 x 7/16 Set Screws
- X.** 2 Pivot Block
- Y.** 1 Nylon Spacer
- AA.** 2 Nylon Pivot Bushings
- BB.** 1 Security Washer
- CC.** 1 Door Handle Assy
- DD.** 1 Door Handle Vinyl (4)
- EE.** 2 Drip Plugs
- FF.** 2 #6 x 3/8 Truss Head Screws
- GG.** 4 Rail End Caps
- JJ.** 4 Pcs Vert. Glazing Vinyl (72)
- KK.** 4 Pcs Horiz. Glazing Vinyl (72)

Glass Size

Door opening width as determined

- 390 - Door glass height = Unit ht. - 5
Door glass width = Door Opening - 3/8
- 390C - Door glass height = Unit ht. - 3 5/8
Door glass width = Door Opening - 1 3/16
- 390CV - Door glass height = Unit ht. - 3 1/8
Door glass width = Door Opening - 1 3/16
- 390D - Door glass height = Unit ht. - 3 1/8
Door glass width = Door Opening - 1/2

Panel glass width = Centerline dim. - 7/8

Panel glass ht. = Unit ht. - 1

Standard Door Openings

- 390 - 24 3/4" and 28 3/4" at 68 1/2" Unit Height
24 3/4" and 30 3/4" at 72" Unit Height
24 3/8" and 28 3/8" at 76" Unit Height
- 390C - 25" and 30" at 68 1/2" Unit Height
25" and 30" at 72" Unit Height
25" and 30" at 76" Unit Height
- 390CV - 25 3/16" and 29 3/16" at 68 1/2" Unit Height
25 3/16" and 29 3/16" at 72" Unit Height
29 3/16" at 76" Unit Height

Calculations

Maximum allowable width of unit = 38 x 38

Maximum allowable height of unit = 84

Adjustment for Wall Conditions

+ 3/8", - 0" on Door Panel

± 1/4" on Return Panel