

# TECHNICAL SPECIFICATIONS – STIKSTALL

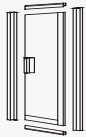
## 393 - Door/Panel with Return Panel

StikStall Unit - 3/16" Glass

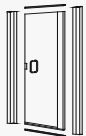


SC-505 Header Standard

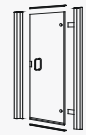
### Options



390C  
Standard  
Door



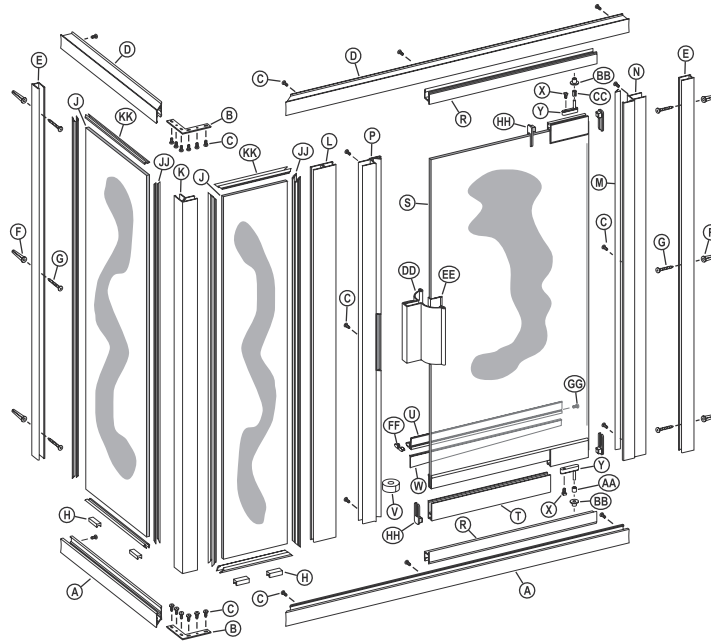
390CV  
Standard  
Door



390D  
Standard  
Door



SC-923  
Light Euro  
Header



- A. 2 SC-505A Curb Sections (with weep slots)
- B. 2 90° Anchor Plates
- C. 26 #8 x 1/4 Truss Head Screws
- D. 2 SC-505 Header Sections
- E. 2 SC-508 Wall Jamb
- F. 6 Plastic Wall Anchors
- G. 6 #8 x 1 1/2 Truss Head Screws
- H. 4 Plastic Setting Blocks
- J. 2 Fixed Glass Panels
- K. 1 SC-513 90° Post
- L. 1 SC-511 180° Post
- M. 1 Clear Vinyl Pivot Jamb Seal
- N. 1 SC-552 Pivot Jamb
- P. 1 SC-552 Strike Jamb Assy (Magnetic)
- R. 2 SC-507 Snap-in Fillers
- S. 1 Glazed Door Panel
- T. 1 Bottom Rail
- U. 1 SC-589 Drip Rail
- V. 1 Roll Double Stick Tape
- W. 1 Tapered Drip Vinyl
- X. 2 #10 x 7/16 Set Screws
- Y. 2 Pivot Blocks
- AA. 1 Nylon Spacer
- BB. 2 Nylon Pivot Bushings
- CC. 1 Security Washer
- DD. 1 Door Handle Assembly
- EE. 1 Door Handle Vinyl (4")
- FF. 1 Drip Plug
- GG. 1 #6 x 3/8 Truss Head Screws
- HH. 4 Rail End Caps
- JJ. 8 Pcs. Vert. Glazing Vinyl (72")
- KK. 8 Pcs. Horiz. Glazing Vinyl (48")

### Glass Size

Door opening width as determined

- 390 - Door glass height = Unit ht. - 5  
Door glass width = Door Opening - 3/8
- 390C - Door glass height = Unit ht. - 3 5/8  
Door glass width = Door Opening - 1 3/16
- 390CV - Door glass height = Unit ht. - 3 1/8  
Door glass width = Door Opening - 1 3/16
- 390D - Door glass height = Unit ht. - 3 1/8  
Door glass width = Door Opening - 1/2

Panel glass width = Centerline dim. - door opening width - 2 3/4

Panel glass ht. = Unit ht. - 1

Return panel glass width = Centerline dim. - 7/8

Return panel glass ht. = Unit ht. - 1

### Standard Door Openings

- 390 - 24 3/4" and 28 3/4" at 68 1/2" Unit Height  
24 3/4" and 30 3/4" at 72" Unit Height  
24 3/8" and 28 3/8" at 76" Unit Height
- 390C - 25" and 30" at 68 1/2" Unit Height  
25" and 30" at 72" Unit Height  
25" and 30" at 76" Unit Height
- 390CV - 25 3/16" and 29 3/16" at 68 1/2" Unit Height  
25 3/16" and 29 3/16" at 72" Unit Height  
29 3/16" at 76" Unit Height

### Calculations

Maximum allowable width of unit = 48 x 48

Maximum allowable height of unit = 84

### Adjustment for Wall Conditions

+ 3/8", - 0" on Door Panel

± 1/4" on Return Panel