

TECHNICAL SPECIFICATIONS – STIKSTALL

791 - Door/Panel

StikStall Unit - 5/32" Glass



SC-505 Header Standard

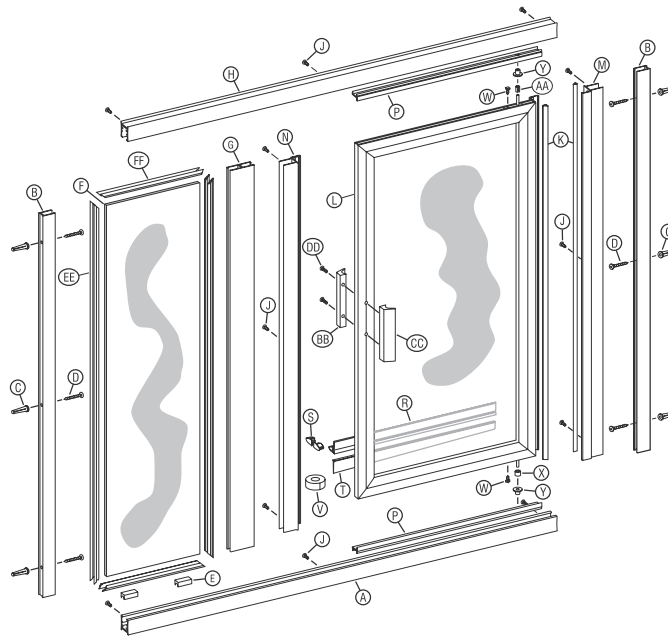
Options



790C
Standard
Door



SC-923
Light Euro
Header



- A.** 1 SC-505A Curb (with weep slots)
- B.** 2 SC-508 Wall Jamb
- C.** 6 Plastic Wall Anchors
- D.** 6 #8 x 1 1/2 Truss Head Screws
- E.** 2 Plastic Setting Blocks
- F.** 1 Fixed Glass Panel
- G.** 1 SC-511 180 Post
- H.** 1 SC-505 Header
- J.** 12 #8 x 1/4 Truss Head Screws
- K.** 2 Clear Vinyl Jamb Seals
- L.** 1 Glazed Door Panel
- M.** 1 SC-552 Pivot Jamb
- N.** 1 SC-552 Strike Jamb (Magnetic)
- P.** 2 SC-506 Snap-in Fillers
- R.** 1 SC-589 Drip Rail
- S.** 2 Drip Plugs
- T.** 1 Tapered Drip Vinyl
- V.** 1 Roll of Double Stick Tape
- W.** 2 #10 x 7/16 Sq. Head Set Screws
- X.** 1 Nylon Spacer
- Y.** 2 Nylon Pivot Bushings
- AA.** 1 Security Washer
- BB.** 1 Interior Door Handle
- CC.** 1 Exterior Door Handle
- DD.** 2 #6 x 1 1/4 Round Head Screws
- EE.** 4 Pcs. Vert. Glazing Vinyl (72)
- FF.** 4 Pcs. Horiz. Glazing Vinyl (72)

Glass Size

Door opening width as determined

790 - Door glass height = Unit ht. - 5

Door glass width = Door Opening - 2 1/4

790C - Door glass height = Unit ht. - 5

Door glass width = Door Opening - 2 3/16

Panel glass width = Unit width - door opening width - 2 3/4

Panel glass ht. = Unit ht. - 1

Standard Door Openings

790 - 24 5/8" and 29 5/8" at 68 1/2" Unit Height

24 5/8" and 29 5/8" at 72" Unit Height

24 5/8" and 29 5/8" at 76" Unit Height

790C - 24 9/16" and 29 9/16" at 68 1/2" Unit Height

24 9/16" and 29 9/16" at 72" Unit Height

24 9/16" and 29 9/16" at 76" Unit Height

Calculations

Maximum allowable width of unit = 72

Maximum allowable height of unit = 84

Adjustment for Wall Conditions

+ 3/8", - 0" on Door Panel

± 1/4" on Fixed Panel