

TECHNICAL SPECIFICATIONS – STIKSTALL

793 - Door/Panel with Return Panel

StikStall Unit - 5/32" Glass



SC-505 Header Standard

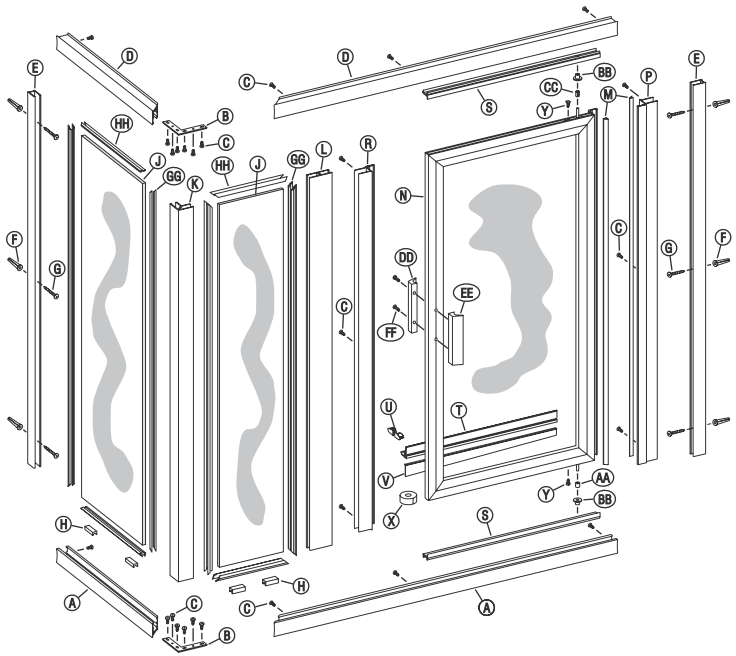
Options



790C
Standard
Door



SC-923
Light Euro
Header



- A.** 2 SC-505A Curb Sections (with weep slots)
- B.** 2 90° Anchor Plates
- C.** 26 #8 x 1/4 Truss Head Screws
- D.** 2 SC-505 Header Sections
- E.** 2 SC-508 Wall Jamb
- F.** 6 Plastic Wall Anchors
- G.** 6 #8 x 1 1/2 Truss Head Screws
- H.** 2 Plastic Setting Blocks
- J.** 2 Fixed Glass Panels
- L.** 1 SC-513 90° Post
- K.** 1 SC-511 180° Post
- M.** 2 Clear Vinyl Jamb Seal
- N.** 1 Glazed Door Panel
- P.** 1 SC-552 Pivot Jamb
- R.** 1 SC-552 Strike Jamb (Magnetic)
- S.** 2 SC-506 Snap-in Fillers
- T.** 1 SC-589 Drip Rail
- U.** 2 Drip Plugs
- V.** 1 Tapered Drip Vinyl
- X.** 1 Roll Double Stick Tape
- AA.** 1 Nylon Spacer
- BB.** 2 Nylon Pivot Bushings
- CC.** 1 Security Washer
- DD.** 1 Interior Door Handle
- EE.** 1 Exterior Door Handle
- FF.** 2 #6 x 1 1/4 Round Head Screws
- GG.** 8 Pcs. Vert. Glazing Vinyl (72)
- HH.** 8 Pcs. Horiz. Glazing Vinyl (48")

Glass Size

Door opening width as determined

790 - Door glass height = Unit ht. - 5
 Door glass width = Door Opening - 2 1/4

790C - Door glass height = Unit ht. - 5
 Door glass width = Door Opening - 2 3/16

Panel glass width = Centerline dim. - door opening width - 2 3/4
 Panel glass ht. = Unit ht. - 1
 Return panel glass width = Centerline dim. - 7/8
 Return panel glass ht. = Unit ht. - 1

Standard Door Openings

790 - 24 5/8" and 29 5/8" at 68 1/2" Unit Height
 24 5/8" and 29 5/8" at 72" Unit Height
 24 5/8" and 29 5/8" at 76" Unit Height

790C - 24 9/16" and 29 9/16" at 68 1/2" Unit Height
 24 9/16" and 29 9/16" at 72" Unit Height
 24 9/16" and 29 9/16" at 76" Unit Height

Calculations

Maximum allowable width of unit = 48 x 48
 Maximum allowable height of unit = 84

Adjustment for Wall Conditions

+ 3/8", - 0" on Door Panel
 ± 1/4" on Return Panel