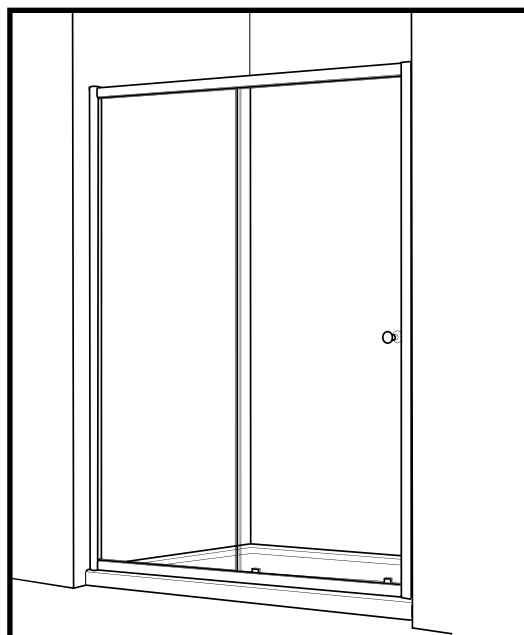
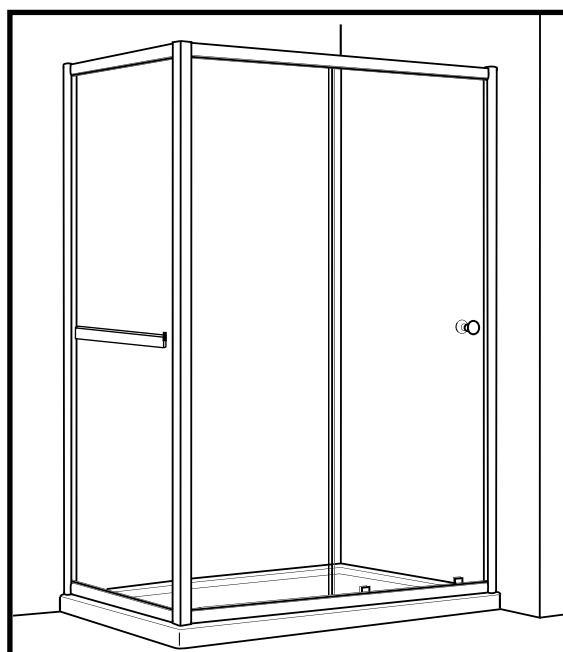


**K-K91Z and K-K93Z - Kona**  
*INSTRUCTION MANUAL*

Panel and door shower enclosure



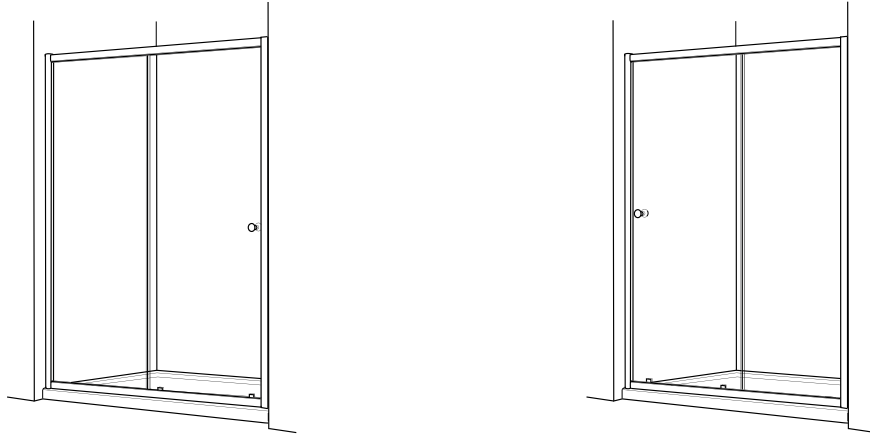
Panel and door with return panel



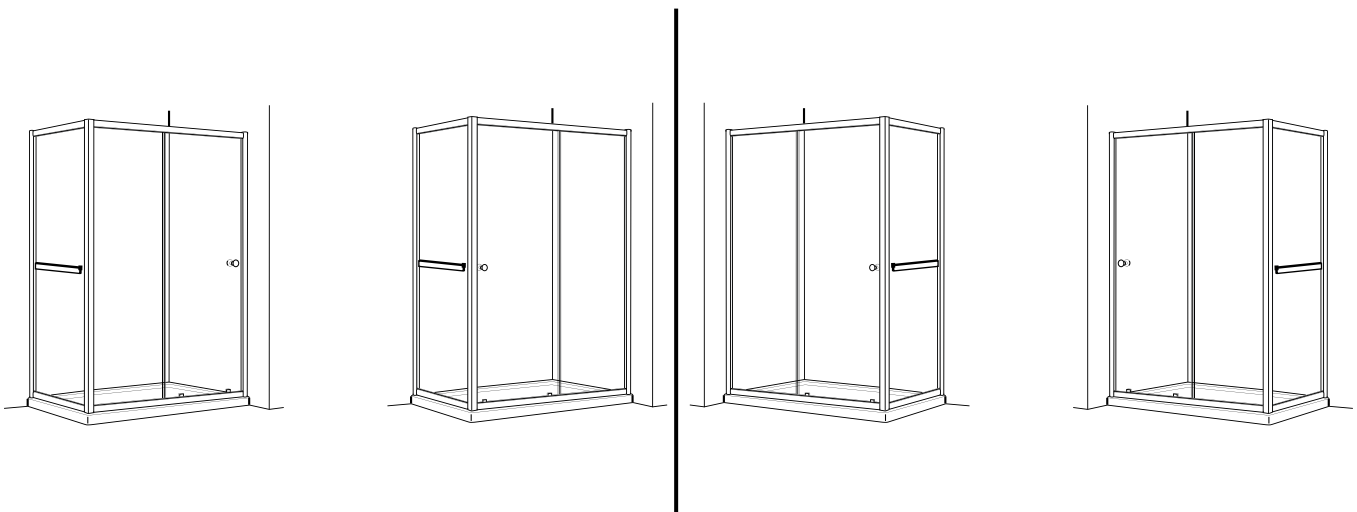
07.10

## Possible configurations

### Panel and door



### Panel and door with return panel



*Please keep this manual and product code number for future reference and replacement parts ordering if necessary.*

---

**GENERAL INSTRUCTIONS**

- *Read this manual carefully and completely before proceeding.*
- *It is recommended that you wear safety glasses at all times during the installation.*

**INSTALLATION OVER CERAMIC TILES**

- *Silicone should be used to seal the gap where the ceramic tiles meet the fixed panel.*
- *If your shower door is to be installed over ceramic tiles, the tiles should lay completely under the wall jamb.*

**NOTICE**

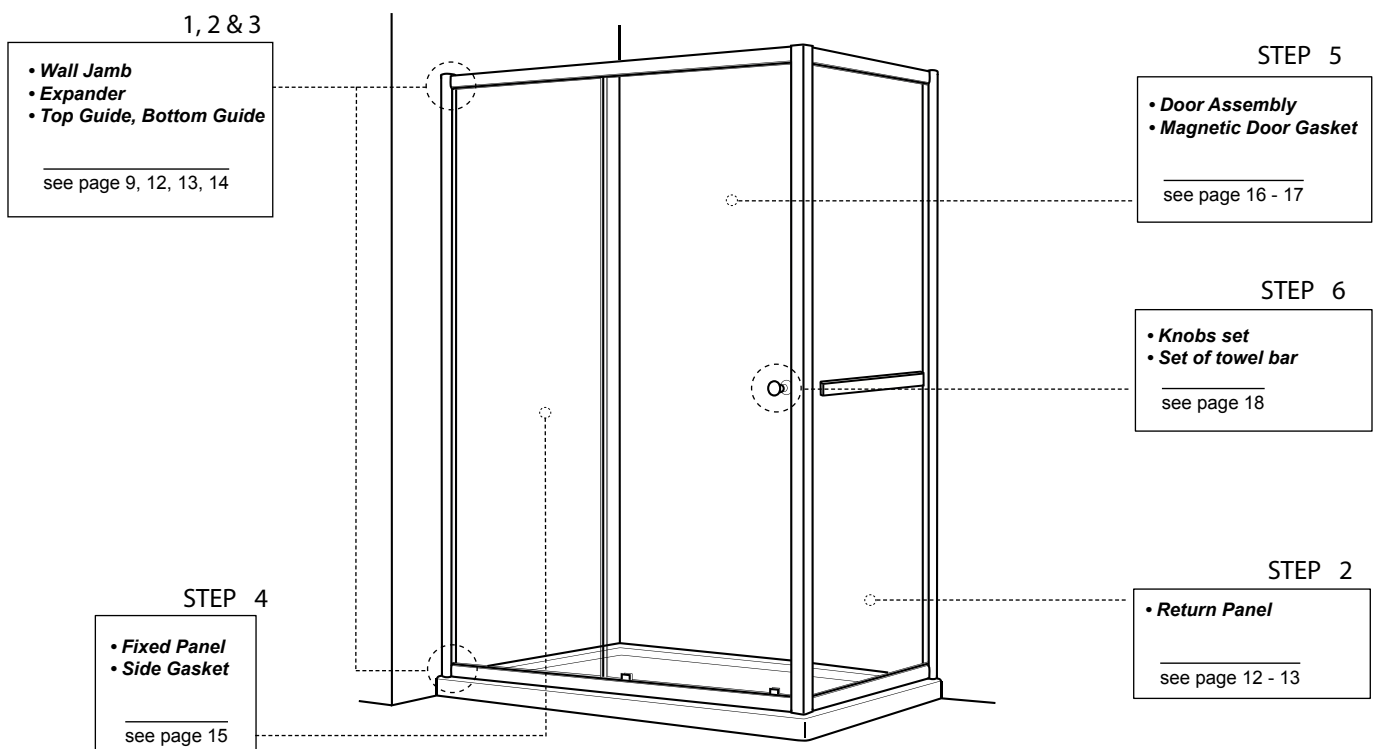
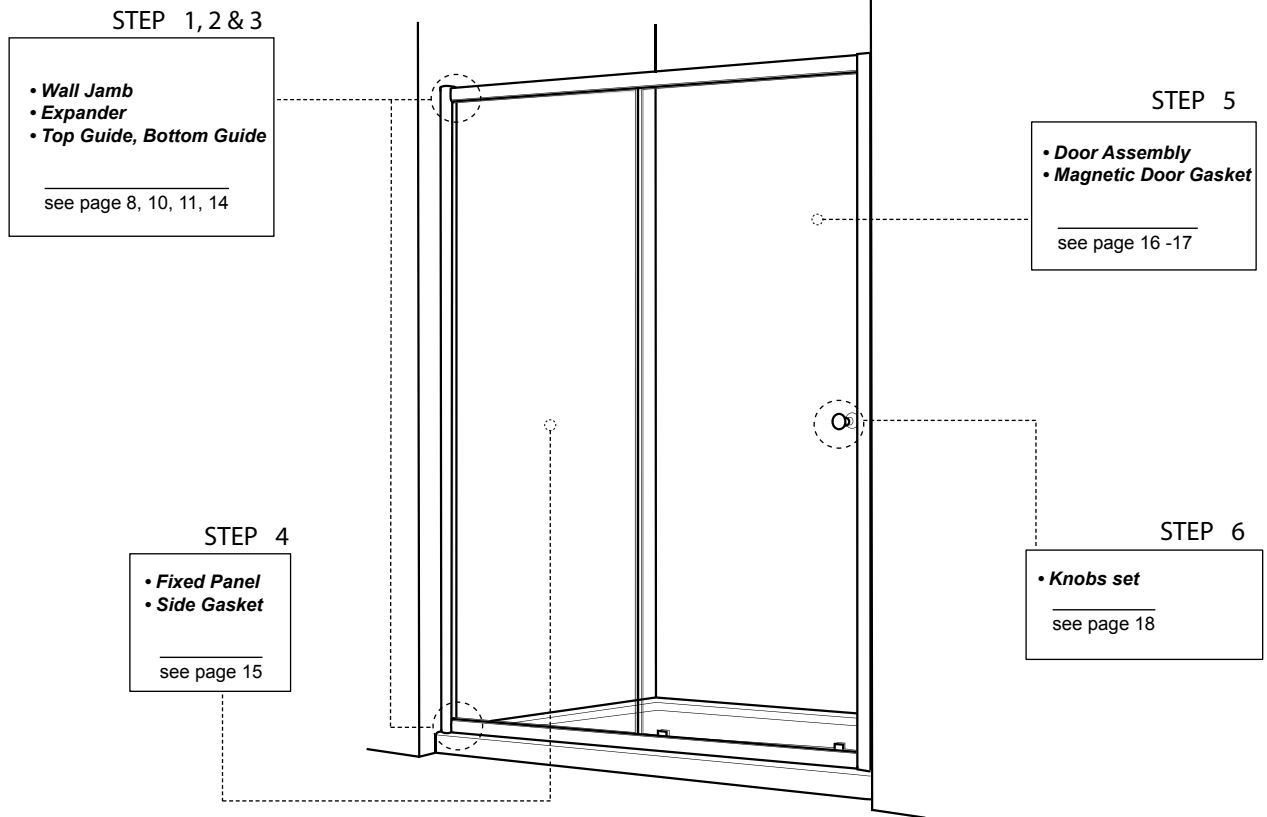
- *Caulking: no sealant is required inside the shower. Unless otherwise stated.*
- *Some models are equipped with clear sealing gaskets.*

**CARE FOR YOUR SHOWER DOOR**

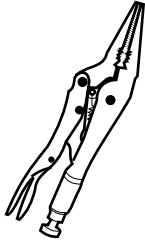
- *Never use scouring powder pads or sharp instruments on metal pieces or glass panels. An occasional wiping down with a mild soap diluted in water is all that is needed to keep the panels and aluminum parts looking new.*
- *We recommend wiping the glass panels with a squeegee after each use.*

*Product specifications are subject to change without notice.*

## INSTALLATION OF COMPONENTS



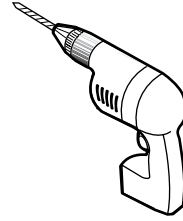
TOOLS AND MATERIAL REQUIRED



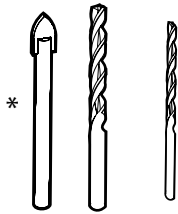
LONG NOSE LOCKING PLIER



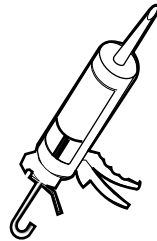
SCREWDRIVERS



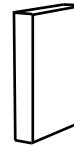
DRILL



1/4" & 1/8" DRILL BITS



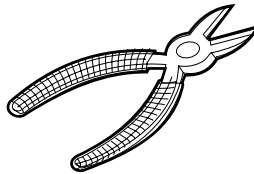
SILICONE



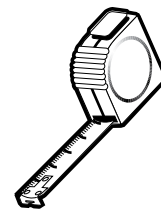
BLOCK



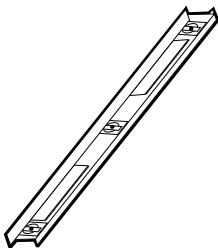
PENCIL



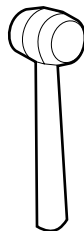
CUTTING PLIER



TAPE MEASURE



LEVEL



MALLET

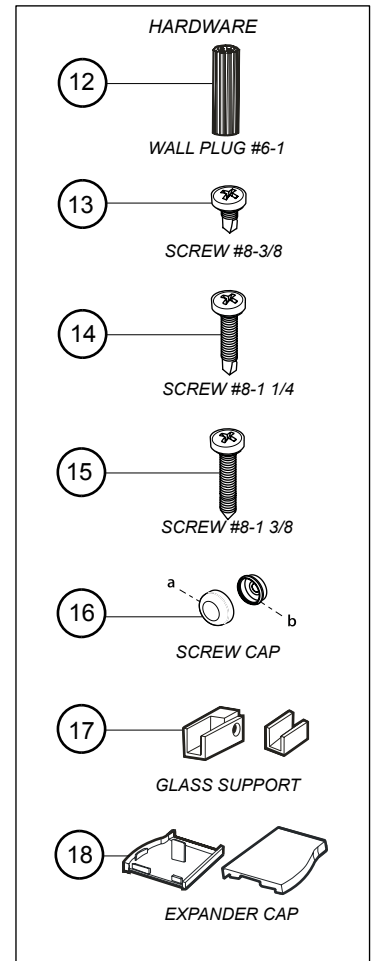
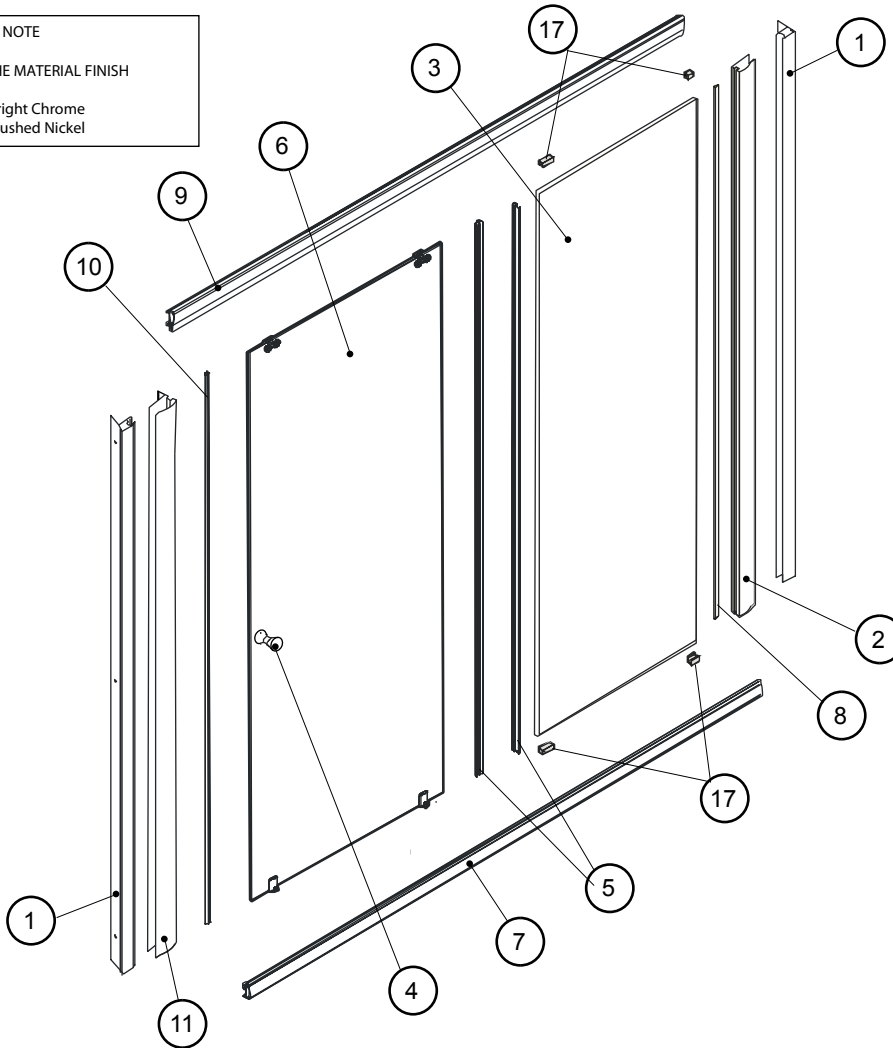


5/16" HEX NUT DRIVER

\* To install the shower door on ceramic tiles, use a 1/4" drill bit for ceramic tiles.

PARTS LISTING

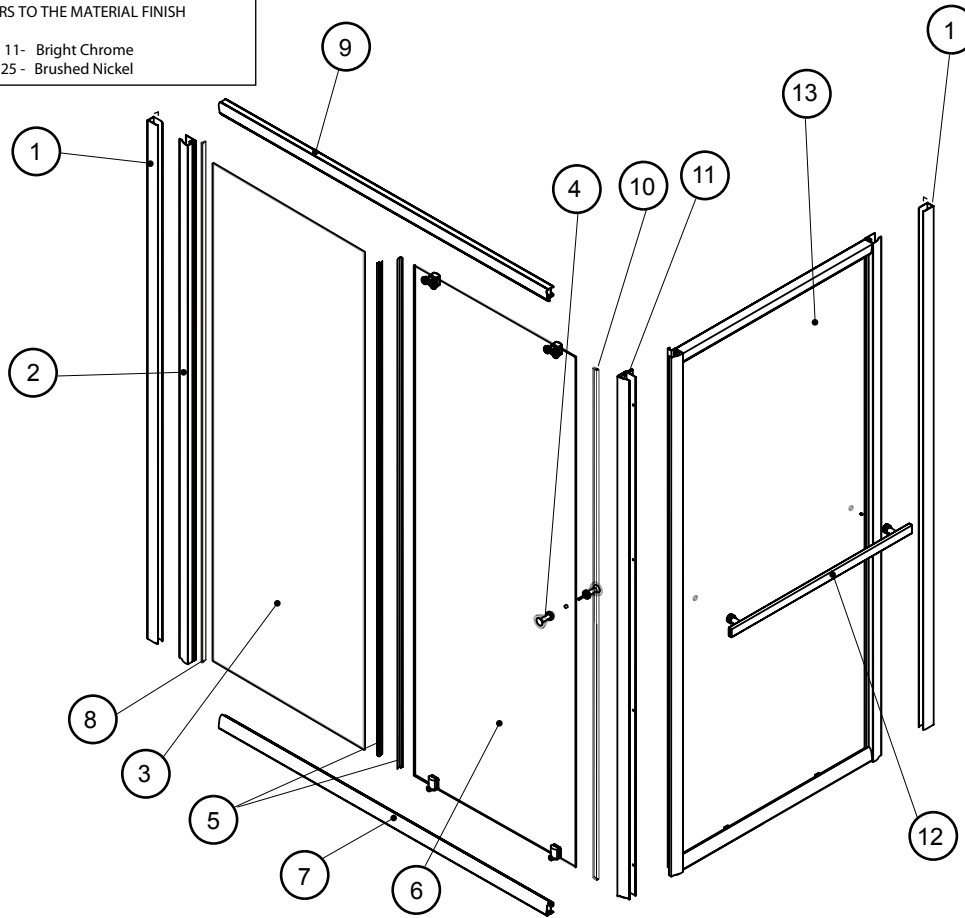
NOTE  
 XX REFERS TO THE MATERIAL FINISH  
 11- Bright Chrome  
 25 - Brushed Nickel



ITEM	PARTS	QTY
1	WALL JAMB	2
2	EXPANDER	2
3	SIDE PANEL	1
4	HANDLE	1
5	SIDE GASKET /DOOR GASKET	1/1
6	DOOR PANEL ASSEMBLY	1
7	BOTTOM TRACK	1
8	SIDE GASKET WALL JAMB SIDE	1
9	TOP TRACK	1
10	MAGNETIC DOOR GASKET	1
11	EXPANDER MAGNETIC	1
ITEM	HARDWARE	QTY
12	WALL PLUG	8
13	SELF DRILLING SCREW	8
14	SELF DRILLING SCREW	8
15	SCREW	8
16	SCREW CAP	16
17	GLASS SUPPORT	4
18	EXPANDER CAP	2

PARTS LISTING

NOTE  
 XX REFERS TO THE MATERIAL FINISH  
 11- Bright Chrome  
 25- Brushed Nickel



**HARDWARE**

- 14 — WALL PLUG #6-1
- 15 — SCREW #8-3/8
- 16 — SCREW #8-1 1/4
- 17 — SCREW #8-1 3/8
- 18 — SCREW CAP
- 19 — GLASS SUPPORT
- 20 — EXPANDER CAP

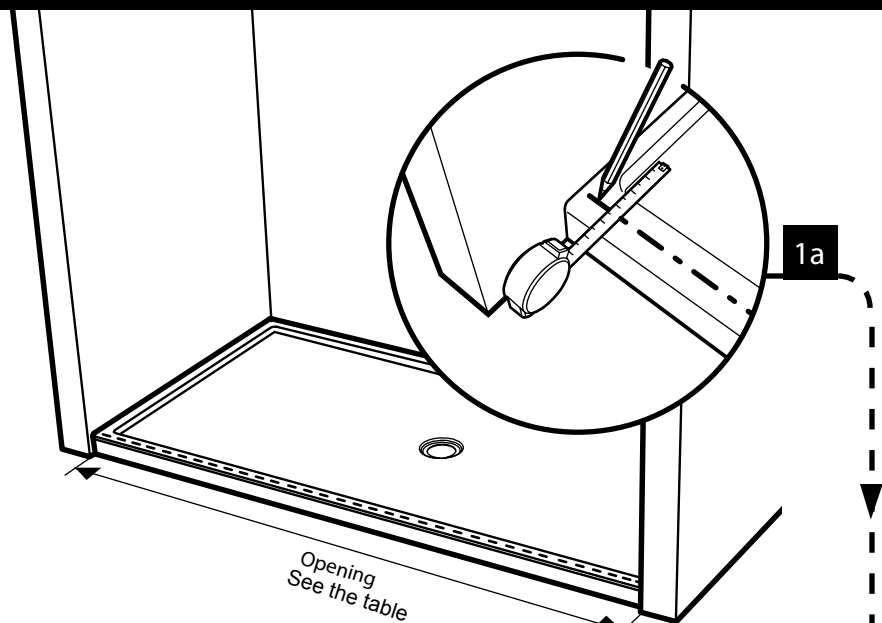
ITEM	PARTS	QTY
1	WALL JAMB	2
2	EXPANDER	2
3	SIDE PANEL	1
4	HANDLE	1
5	SIDE GASKET / DOOR GASKET	1/1
6	DOOR PANEL ASSEMBLY	1
7	BOTTOM TRACK	1
8	SIDE GASKET WALL JAMB SIDE	1
9	TOP TRACK	1
10	MAGNETIC DOOR GASKET	1
11	EXPANDER MAGNETIC	1
12	TOWEL BAR	1
13	RETURN PANEL	1
ITEM	HARDWARE	QTY
14	WALL PLUG	9
15	SELF DRILLING SCREW	12
16	DRILLING SCREW	16
17	SCREW	8
18	SCREW CAP	22
19	GLASS SUPPORT	8
20	EXPANDER CAP	4

**1** **FIXED PANEL INSTALLATION**

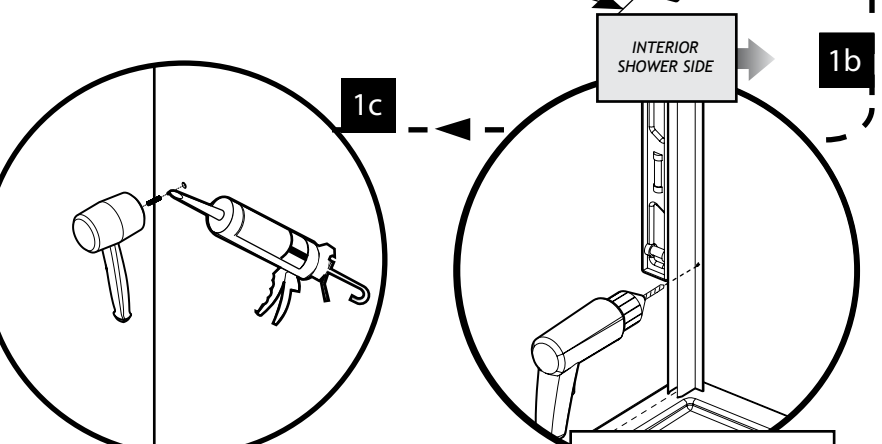
Opening

MODEL	MIN	MAX
48	45 5/8"	47 7/8"
60	57 11/16"	60"
72	69 3/4"	72"

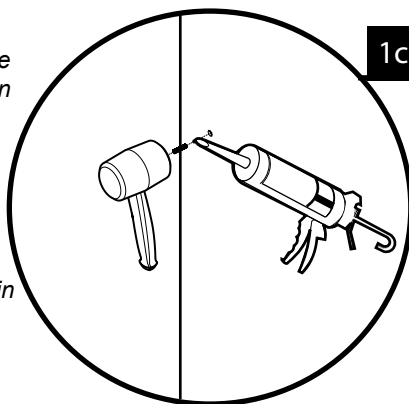
1a. Use a measuring tape to mark the center of the threshold.



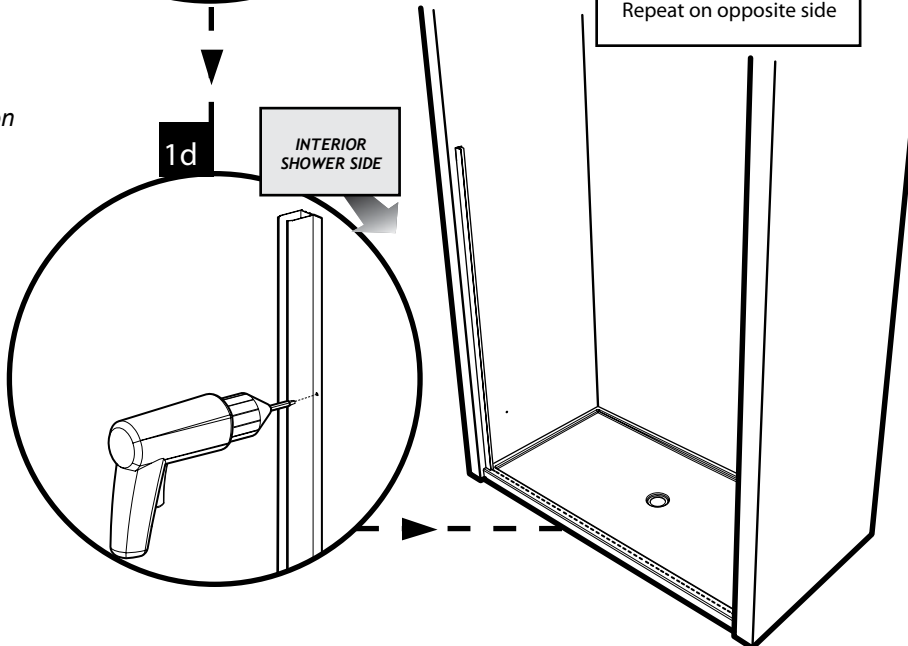
1b. Place the wall jambs against the wall so that the holes are located towards the interior of the shower. Center the opening of the wall jamb on the line marked previously.



1c. Insert one drop of silicone in each hole bored in the wall before inserting the wall plug.



1d. Screw only one of the wall jambs on the wall on the side where of the door will open by using screws 1 3/8" (3). Ensure verticality with the level.





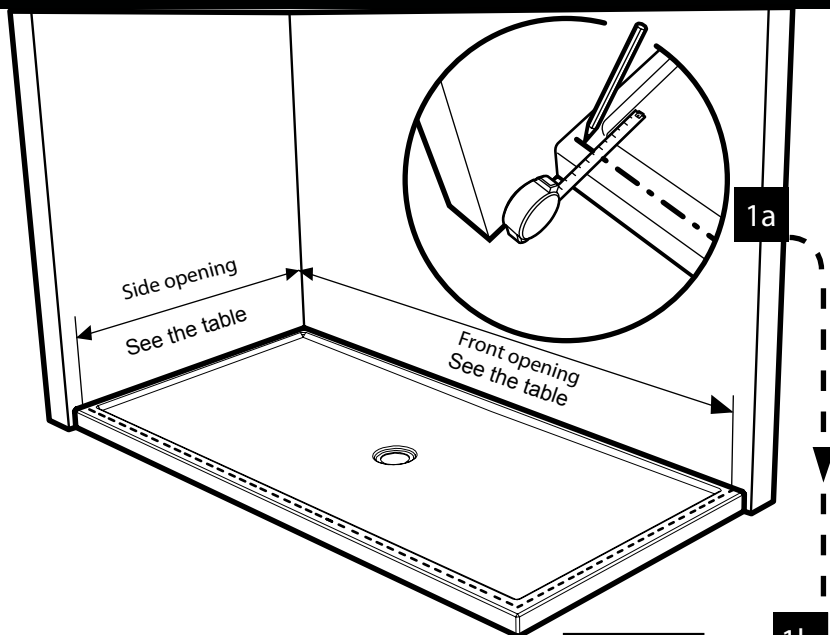
4836 / 6036 / 6042 / 6048 / 7236

1 FIXED PANEL INSTALLATION

Opening

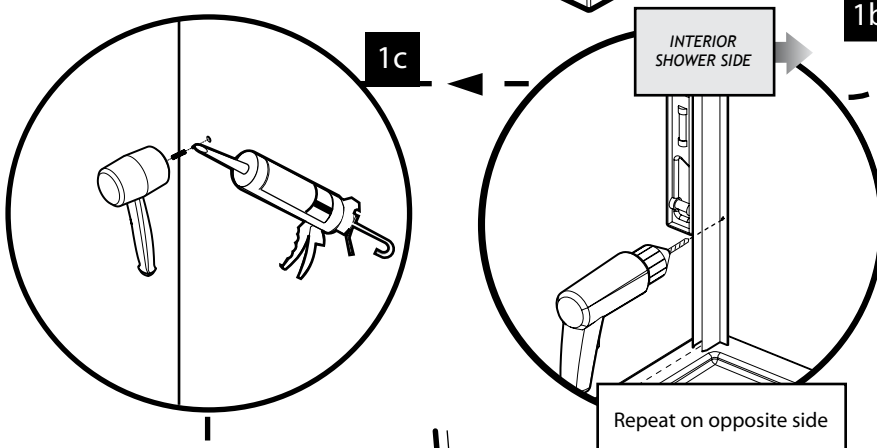
MODEL	FRONT		SIDE	
	MIN	MAX	MIN	MAX
4836	45 5/16"	46"	33 5/16"	34"
6036	57 5/16"	58"	33 5/16"	34"
6042	57 5/16"	58"	40 1/8"	40 13/16"
6048	57 5/16"	58"	46 1/8"	46 13/16"
7236	69 1/4"	70"	33 5/16"	34"

THIS INSTALLATION PROCEDURE APPLIES FOR ALL RETURN PANELS INSTALLATION REGARDLESS OF QUANTITY OR ADDITIONAL FIXTURE SUCH AS TOWEL BAR.

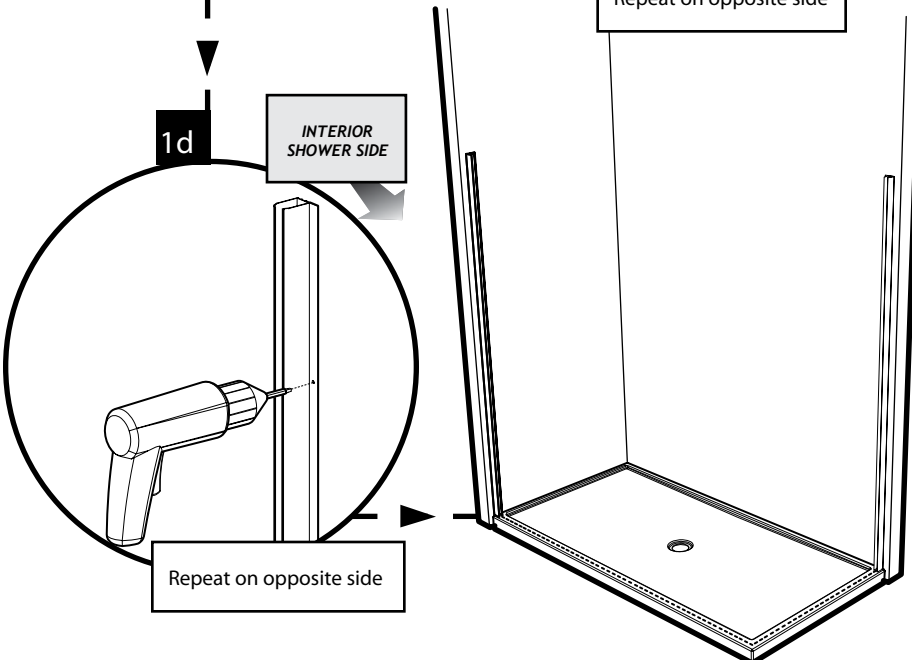


1a. Use a measuring tape to mark the center of the threshold.

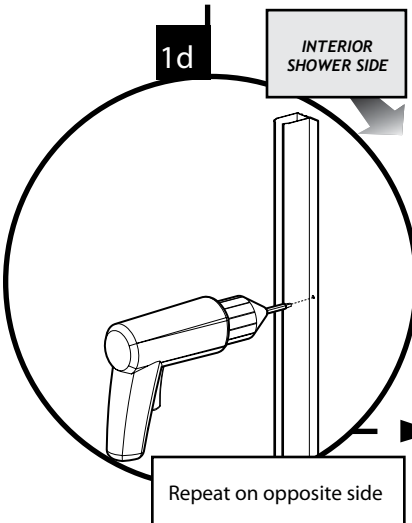
1b. Place the wall jambs against the wall so that the holes are located towards the interior of the shower. Center the opening of the wall jamb on the line marked previously.



1c. Insert one drop of silicone in each hole bored in the wall before inserting there wall plug on both side.



1d. Screw the two wall jambs in the wall plugs already installed in the wall by using screws 1 3/8" (3). Ensure verticality with the level.



FRAME INSTALLATION

2a. Assemble the magnetic expander to the top rail, bottom rail and the expanders by using screws 1 1/4" (8). Place the magnet expander (11) on the side where the door will close.

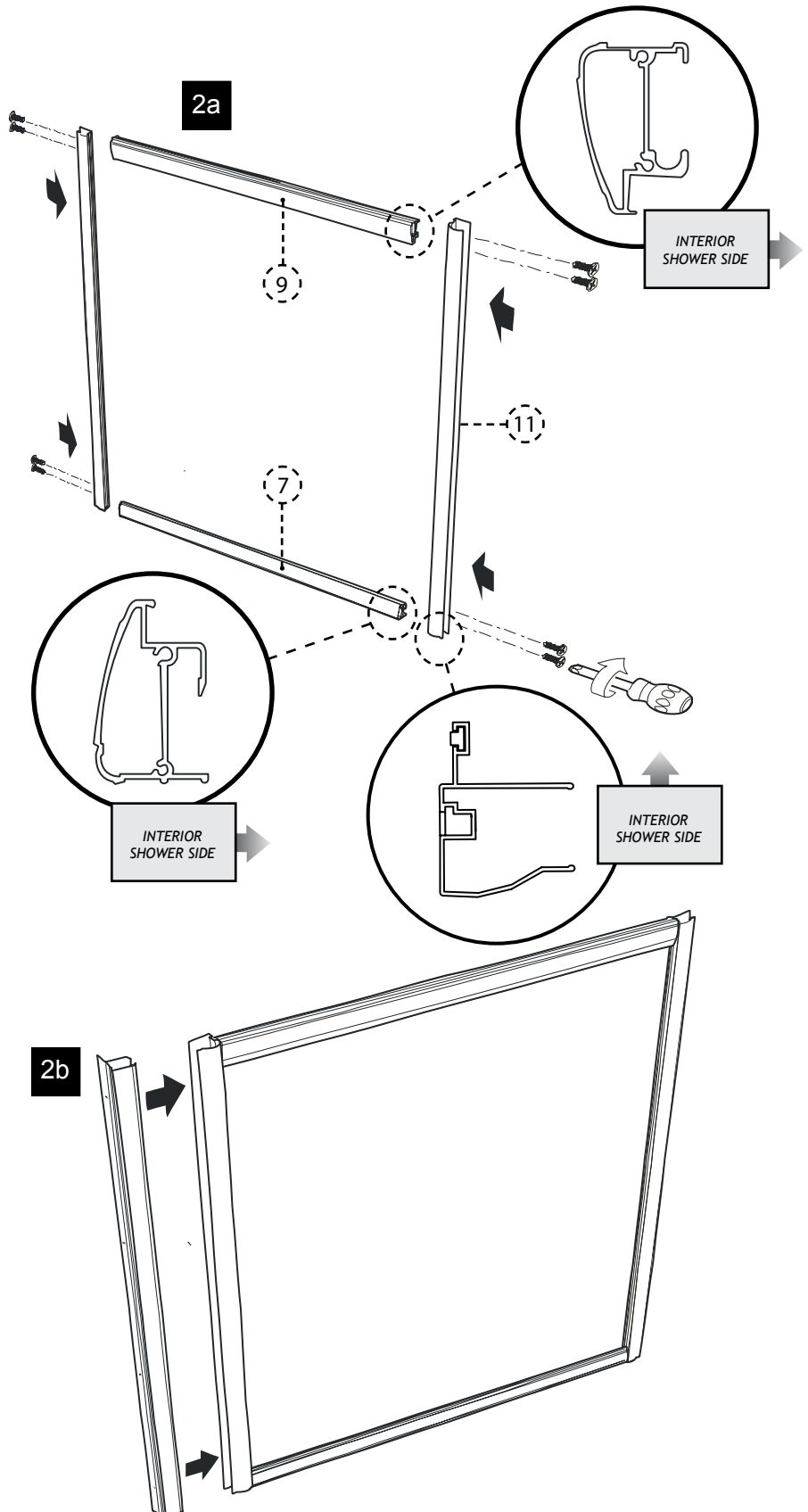
2b. Insert the second wall jamb in the expander.

2c. Insert at an angle the wall jamb fixed on the wall into the expander of the frame and center the frame in the opening by stretching the wall jambs to the wall.

2d. Screw the second wall jamb onto the wall by using screws 1 1/4" (3). The wall plugs should already be installed in the wall. Ensure verticality with the level.

2e. Level the top rail and the bottom rail by clamping both of the magnetic expander and expander with their wall jambs by using vice grips.

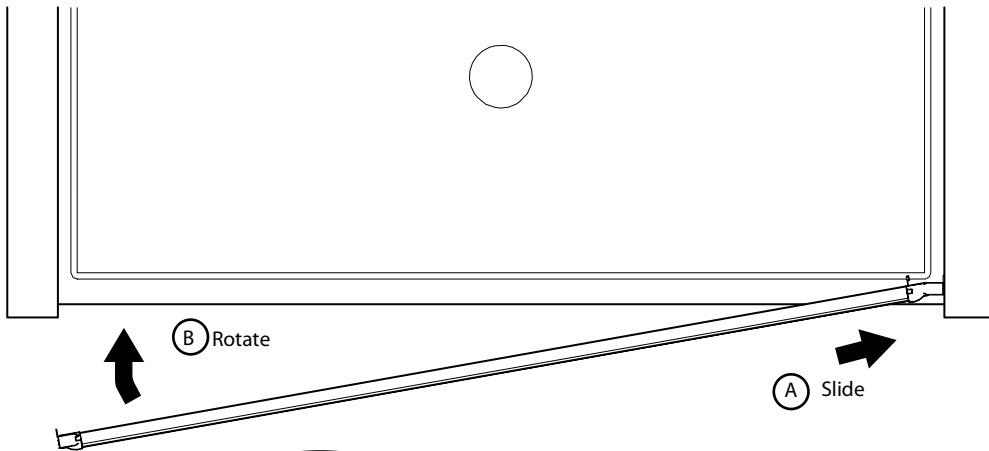
2f. Secure the magnetic expander and the expander with their wall jambs using the self drilling screws #8- 1/4" (6) and place the caps on the heads of visible screws.



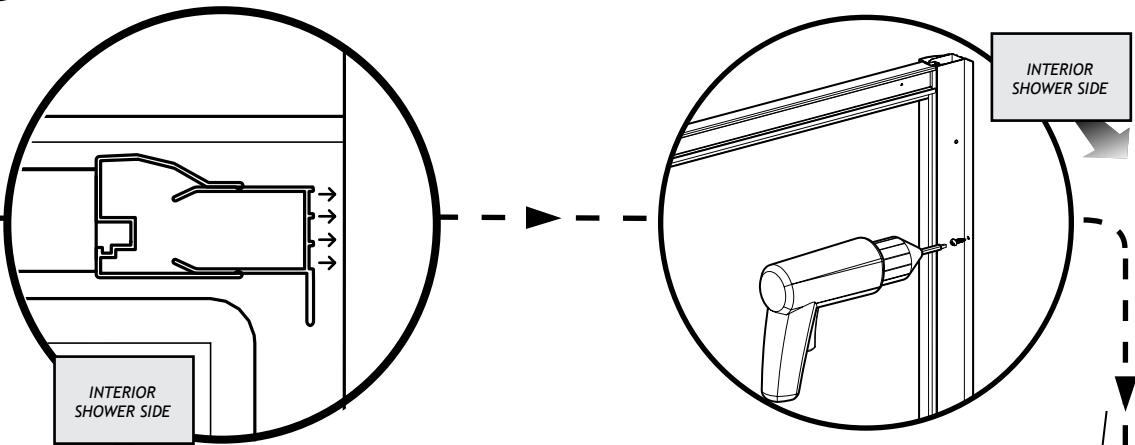
2

FRAME INSTALLATION

2c



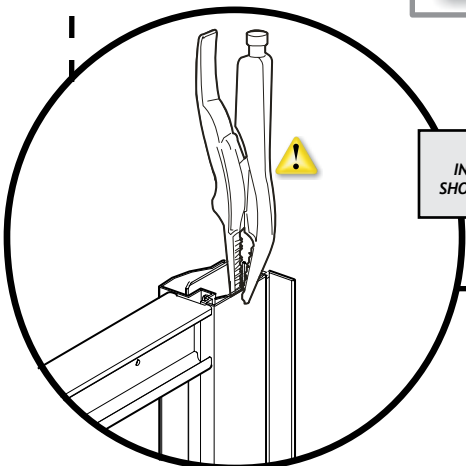
2d



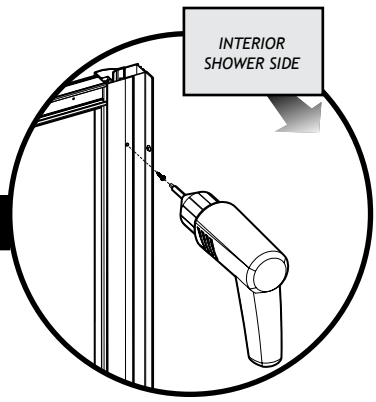
2e



COVER THE PLIER'S TEETH BEFOREHAND TO AVOID SCRATCHING THE ALUMINUM PARTS.



2f



FRAME INSTALLATION

2a. Assemble the door frame with the magnetic expander, top rail, bottom rail and the expanders by using screws 1 1/4" (8). Place the magnetic expander (11) on the side where the door will be opening.

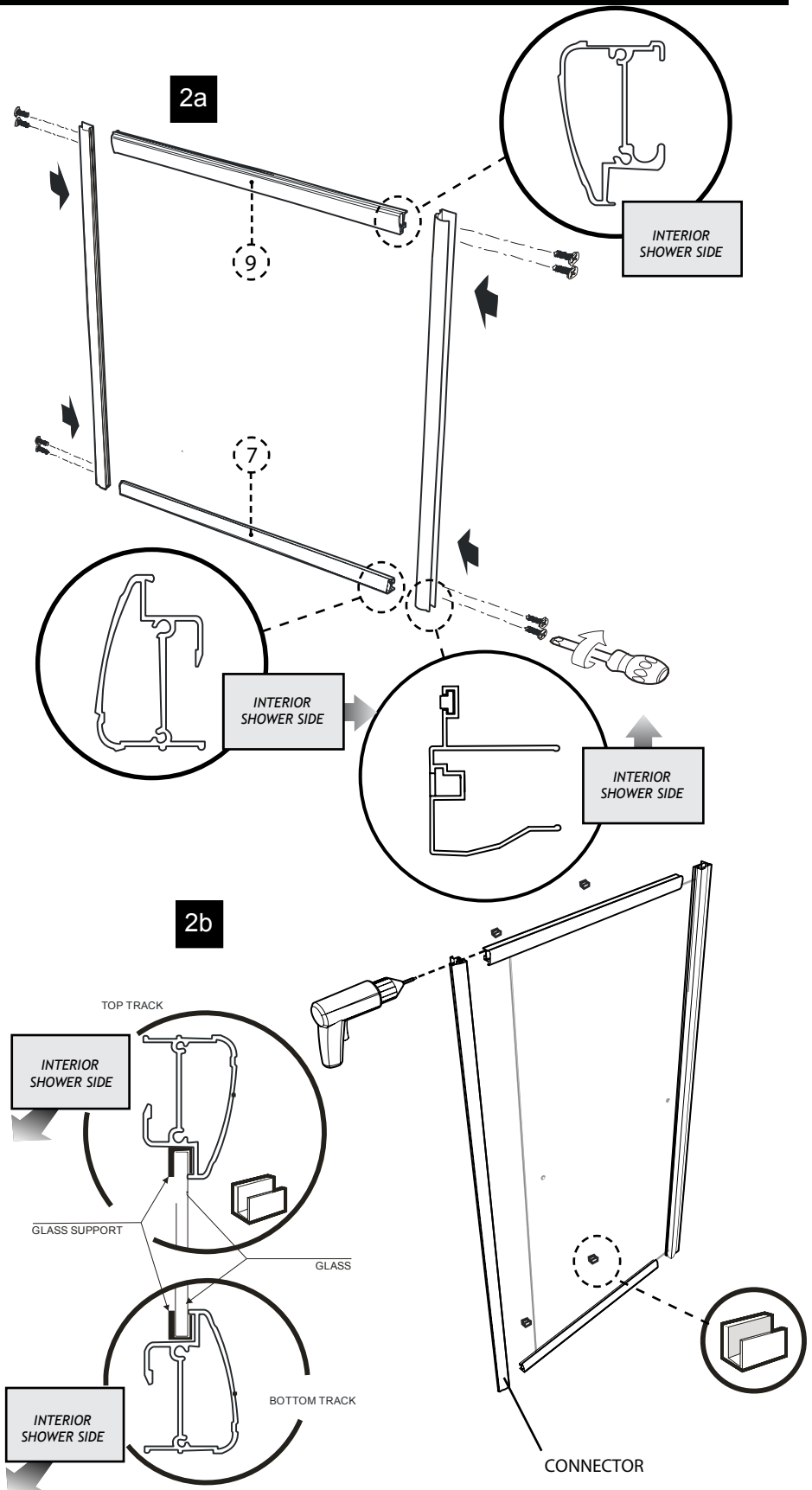
2b. Assemble the frame of the return panel with the top rail, bottom rail, connector, glass support and the expander by using screws 1 1/4". The expander for the return panel has the glass panel installed already textured side must be towards the outside. Place glass support as illustrated.

2c. Insert the door frame into the wall jamb, and return panel frame into the other. Insert both frame into one another by using the connector of the return panel into the expander or magnetic expander depending on the opening side of the door.

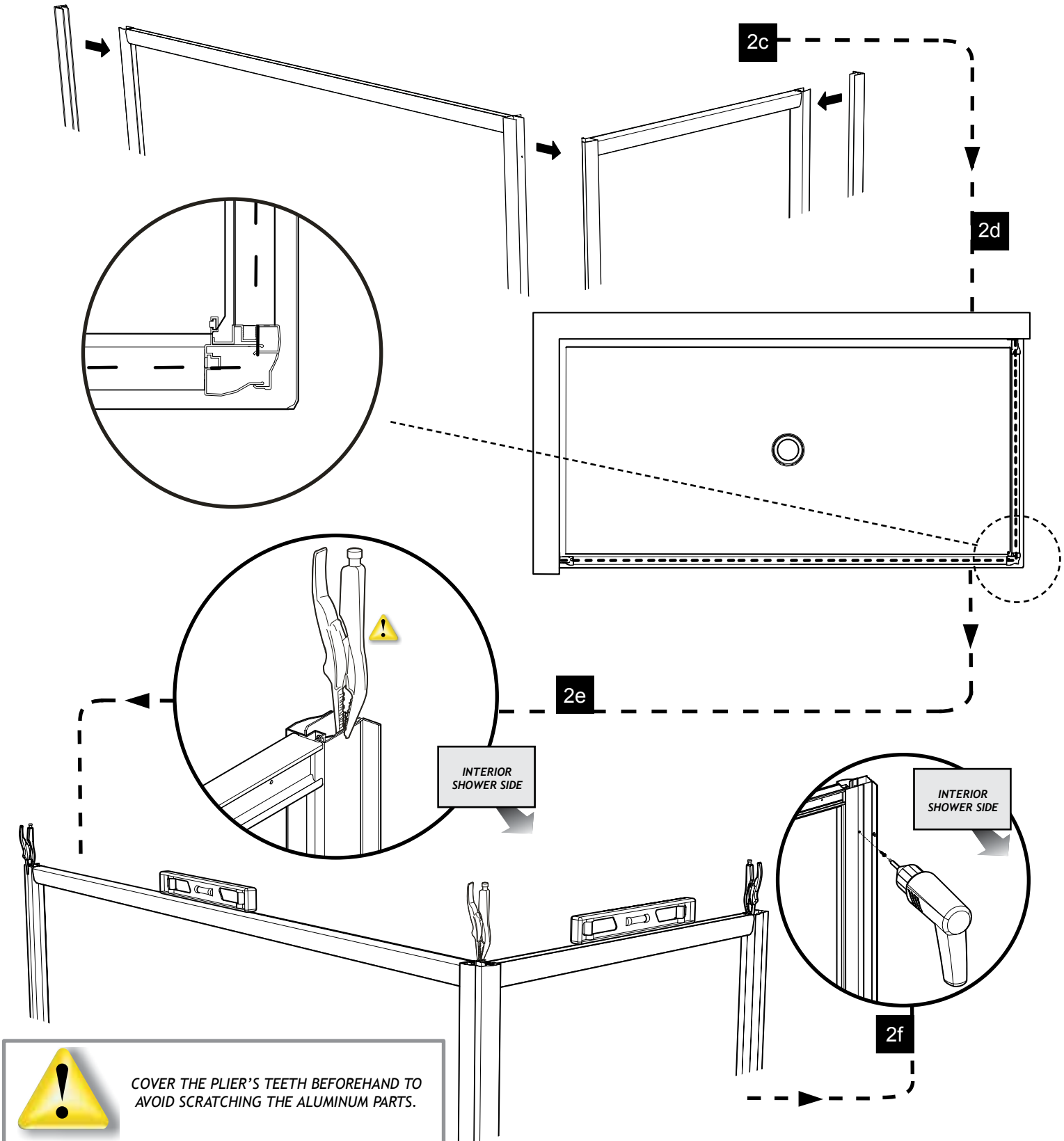
2d. Position the door frame and the return panel onto the center of the threshold of the base by using initial marking.

2e. To level the frames, clamp using locking pliers the expanders with their wall jambs and clamp the connector to the expander as illustrated.

2f. Secure the expanders with the wall jambs and the connector to the expander by using the self drilling screws #8- 1/4" (6) and place the caps on the heads of an visible screws.



FRAME INSTALLATION

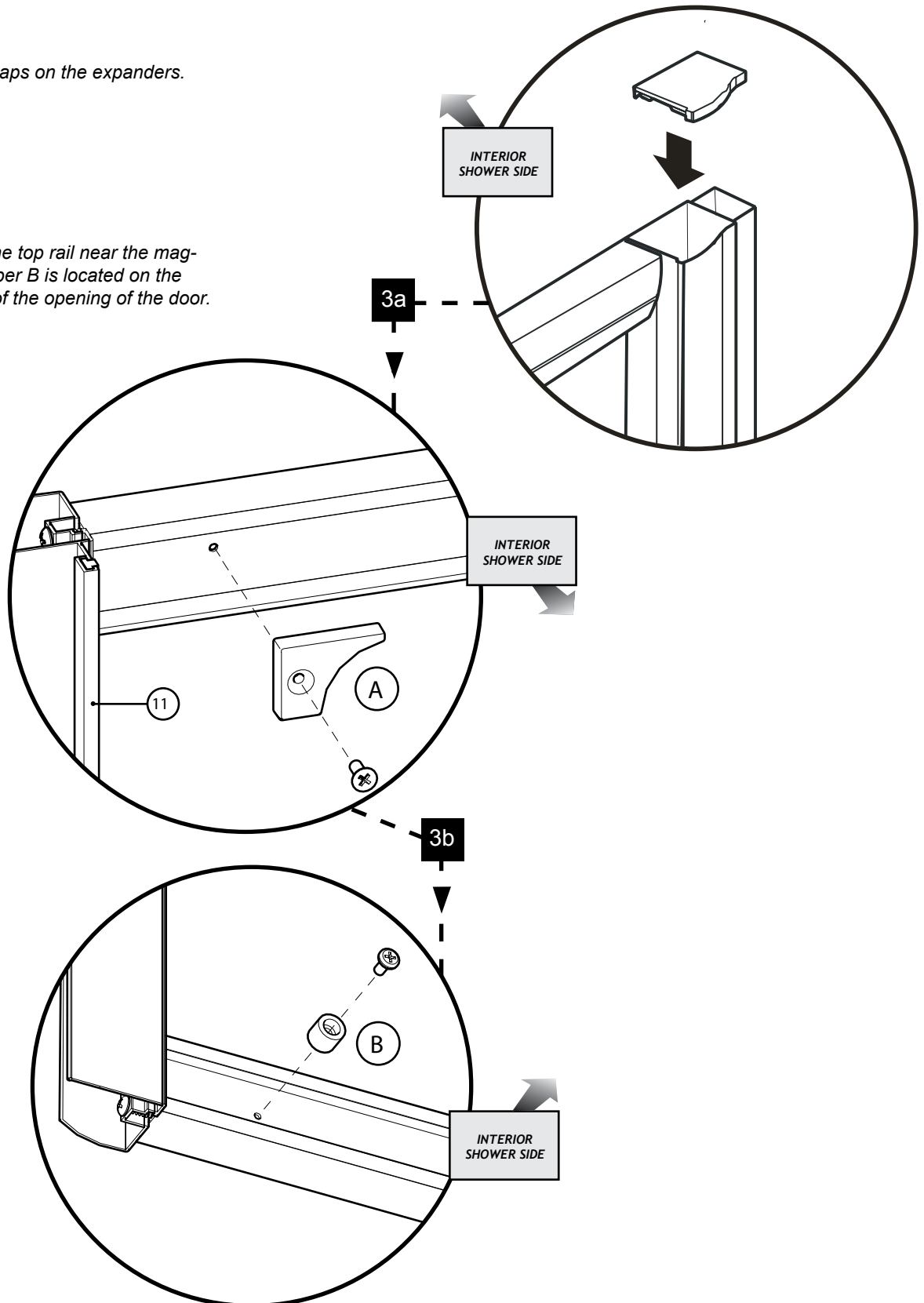


3

FINISHING PARTS INSTALLATION

3a. Place the expander caps on the expanders.

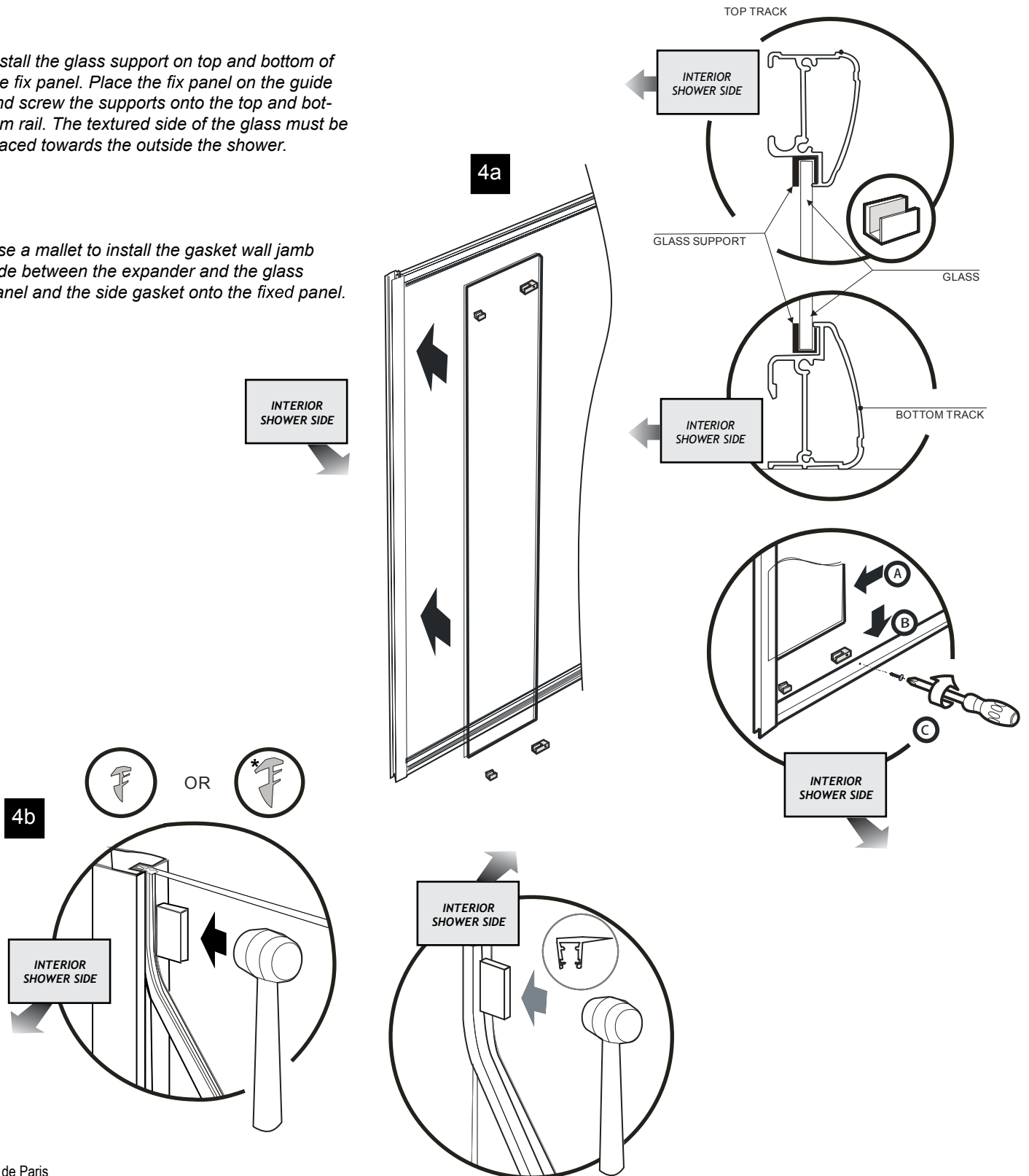
3b. Screw bumper A to the top rail near the magnetic expander. Bumper B is located on the bottom rail opposite of the opening of the door.



FIX PANEL INSTALLATION

4a. Install the glass support on top and bottom of the fix panel. Place the fix panel on the guide and screw the supports onto the top and bottom rail. The textured side of the glass must be placed towards the outside the shower.

4b. Use a mallet to install the gasket wall jamb side between the expander and the glass panel and the side gasket onto the fixed panel.

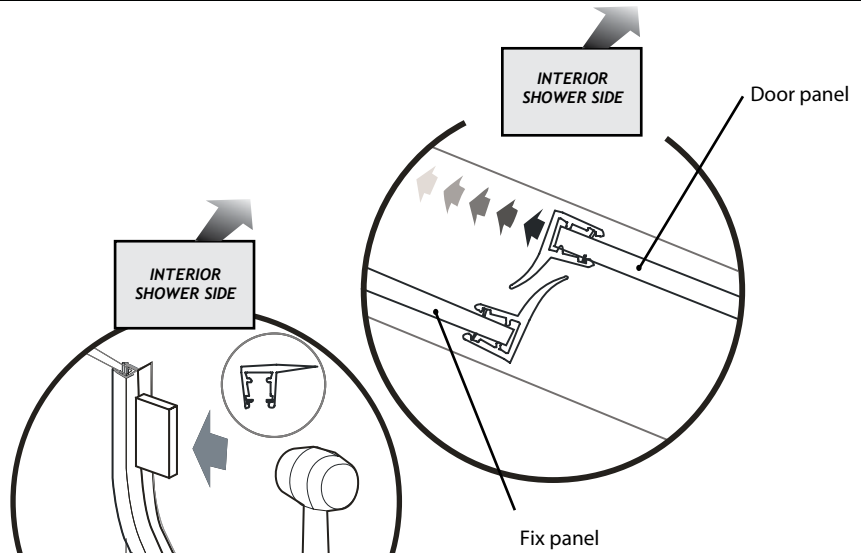


\*for Point de Paris

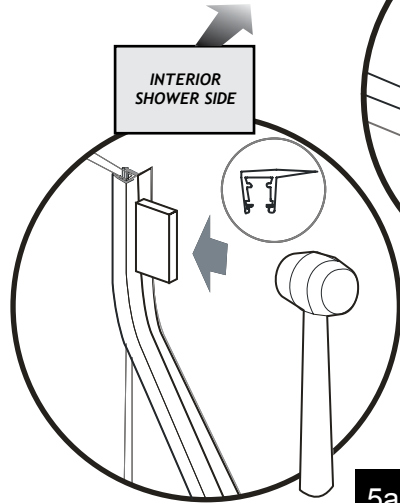
5

DOOR PANEL INSTALLATION

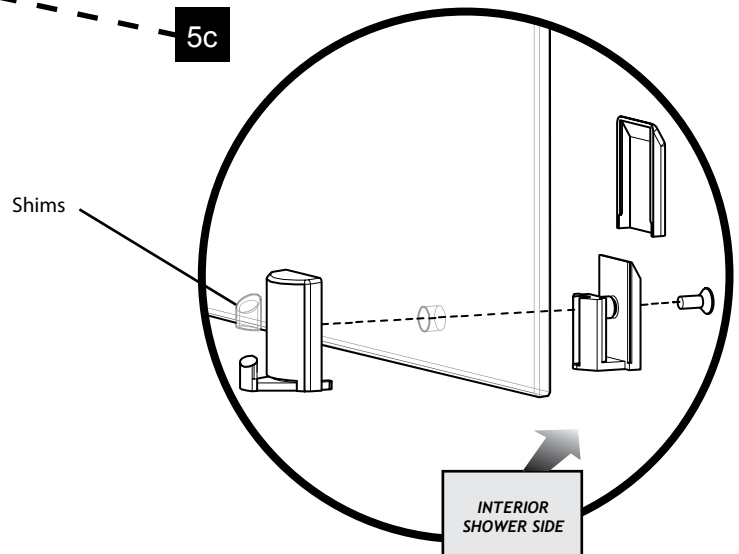
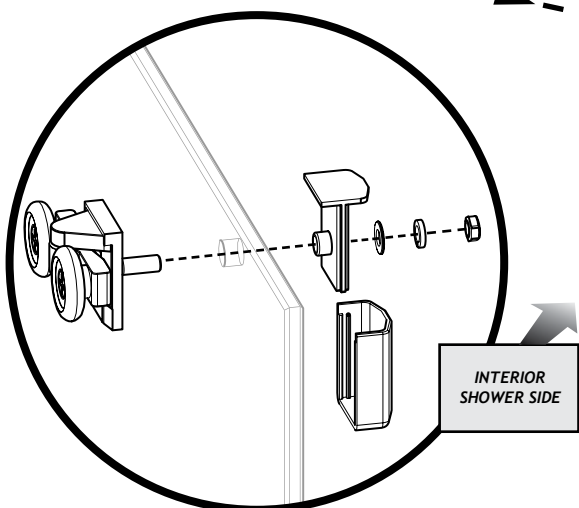
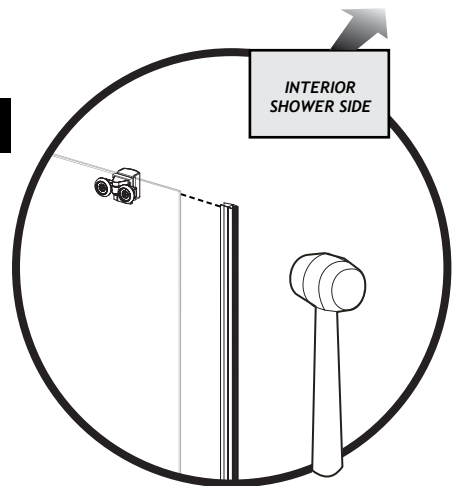
5a. Use a mallet to install the magnet gasket and the side gasket on the door panel. Ensure the textured side of the glass panel is located towards the outside the shower.



5b. Install the rollers on the door panel so that the rollers point towards the outside of the shower. The hole of the handle must always be on the opening side of the door.



5c. Install the bottom sliders on the door panel while placing the hooks towards the outside of the shower. Place the bottom slider shims on the hooks.

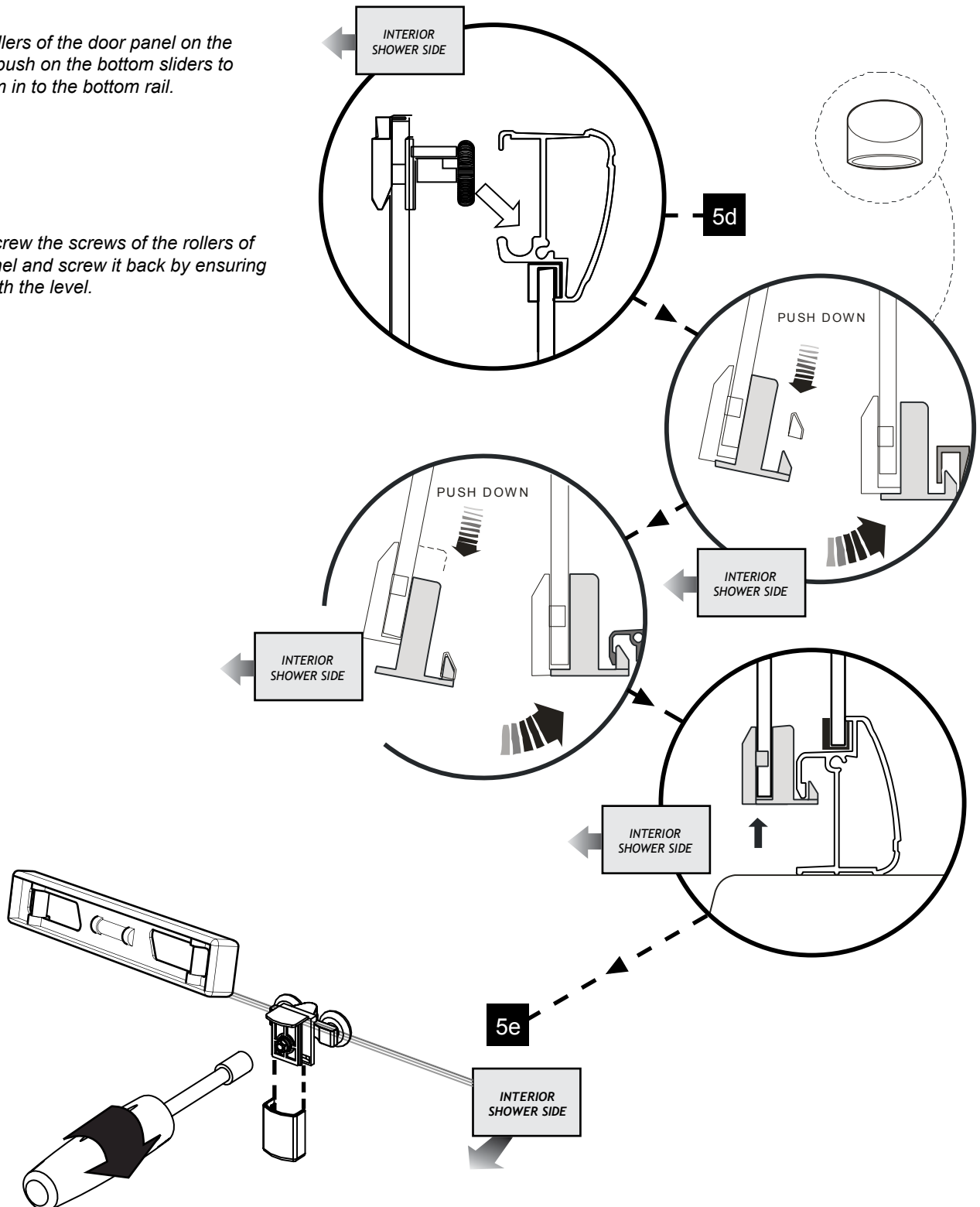




DOOR PANEL INSTALLATION

5d. Place the rollers of the door panel on the top rail and push on the bottom sliders to engage them in to the bottom rail.

5e. Slightly unscrew the screws of the rollers of the door panel and screw it back by ensuring verticality with the level.



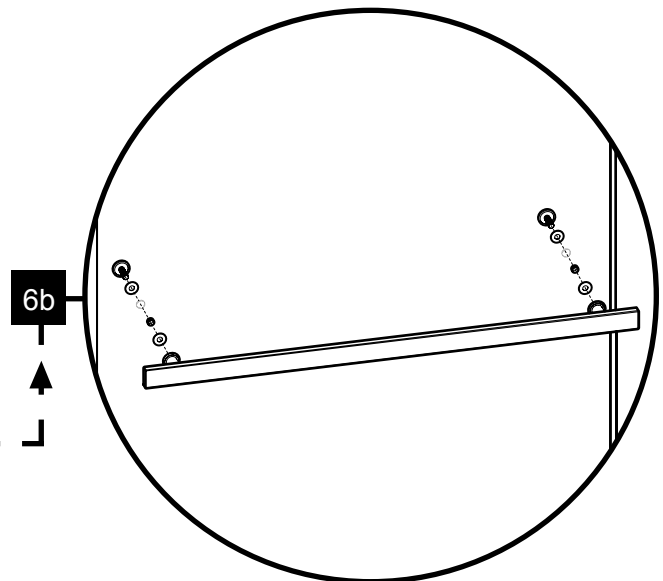
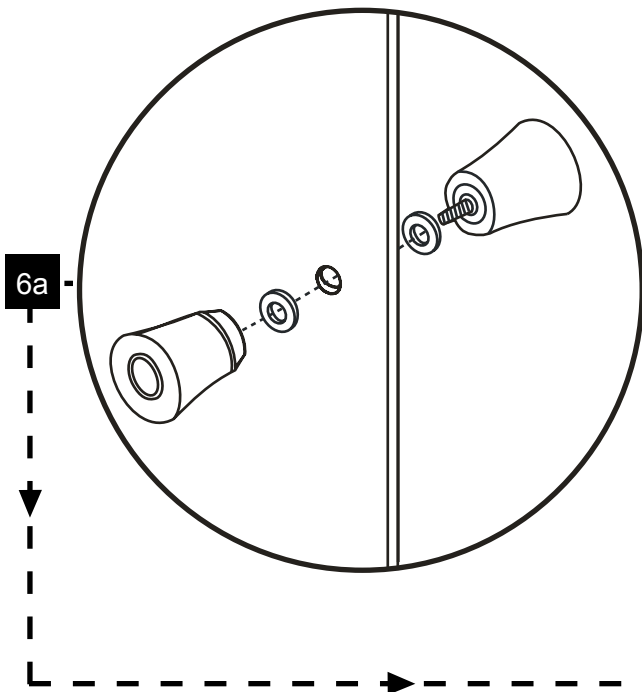
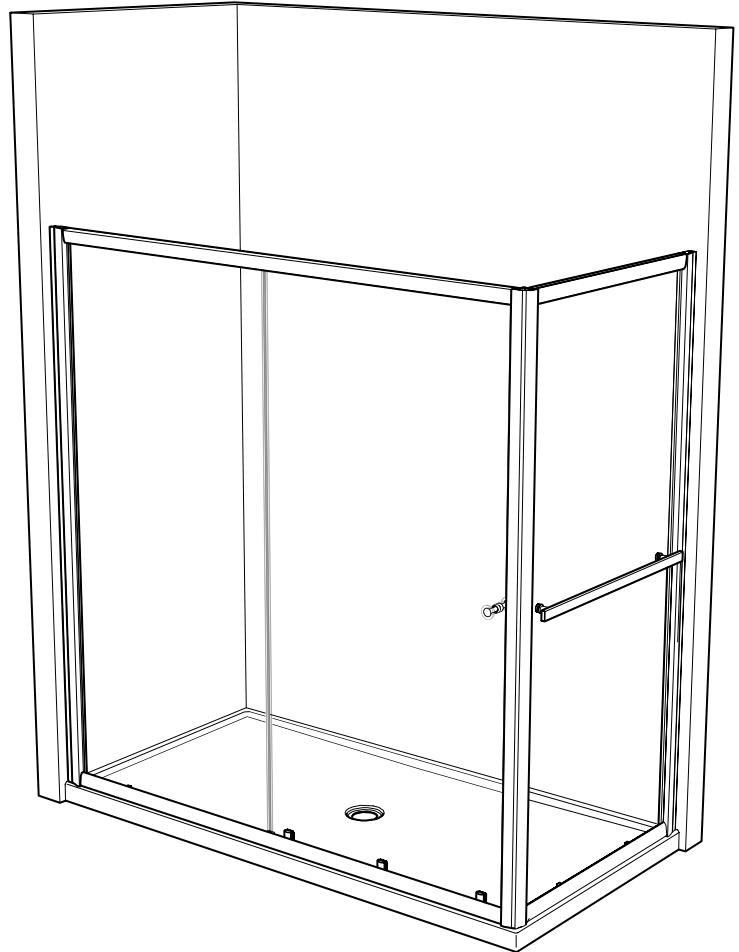
48 / 60 / 72 / 4836 / 6036 / 6042 / 6048 / 7236

6

ACCESSORIES INSTALLATION

6b. Install the knob to the door assembly.

6a. Install the towel bar if applicable.



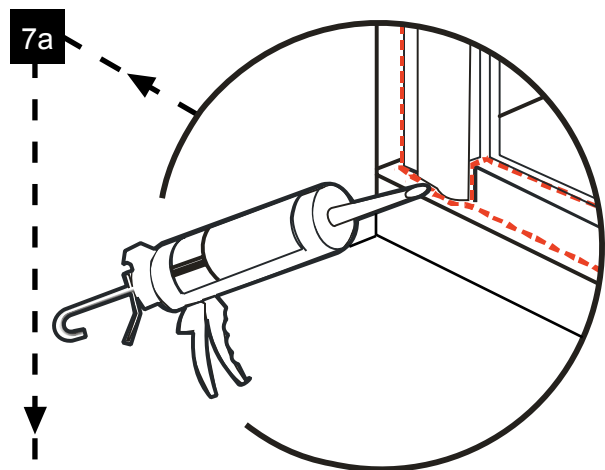
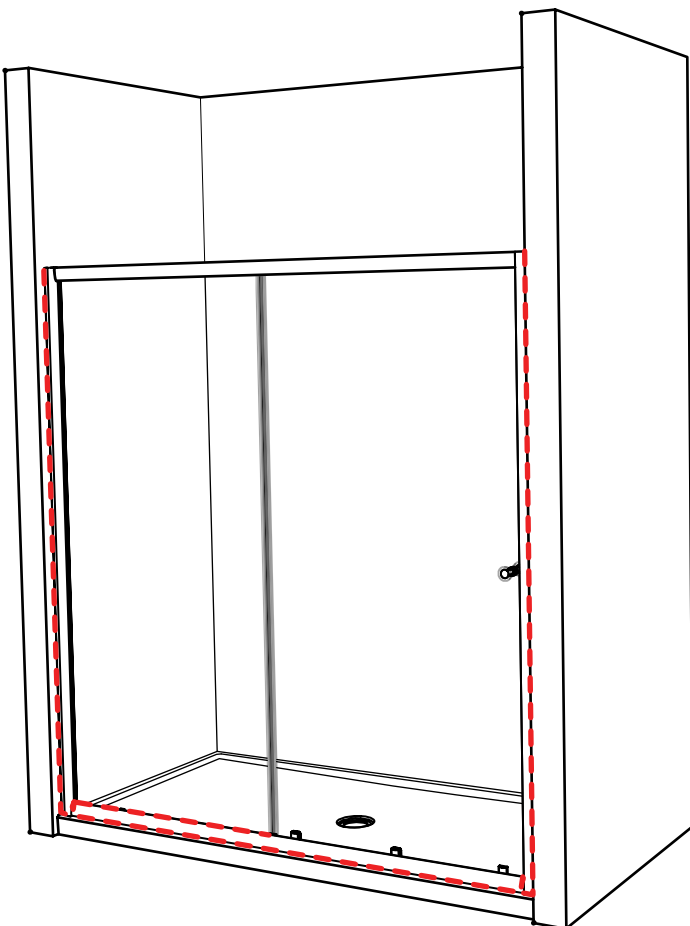
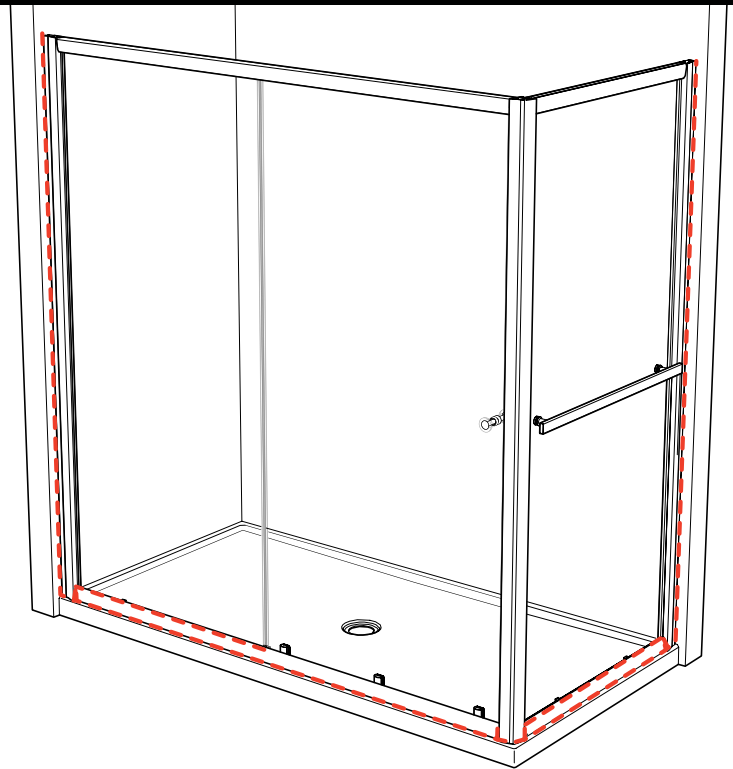
48 / 60 / 72 / 4836 / 6036 / 6042 / 6048 / 7236

7

SEALING

7a. Silicone the outside of the frame between the wall and the wall jamb, along the bottom rail, below of the fix panel and at the bottom of the return panel if applicable.

7b. Wait 24 hours before using the shower to dry the silicon.



**24** HOURS