

**K-V90Z** - Ventura  
*INSTRUCTION MANUAL*

ALUMAX  
*Kula Collection*



07.10



Please keep this manual and product code number for future reference and replacement parts ordering if necessary.

**READ CAREFULLY AND COMPLETELY BEFORE PROCEEDING**

**IT IS RECOMMENDED THAT YOU WEAR SAFETY GLASSES AT ALL TIMES DURING INSTALLATION**

---

### **INSTALLATION OVER CERAMIC TILE**

If your shower door is to be installed over ceramic tile, tile should extend completely under both wall jambs. Silicone should be used to seal the line where ceramic tile meets the base.

---

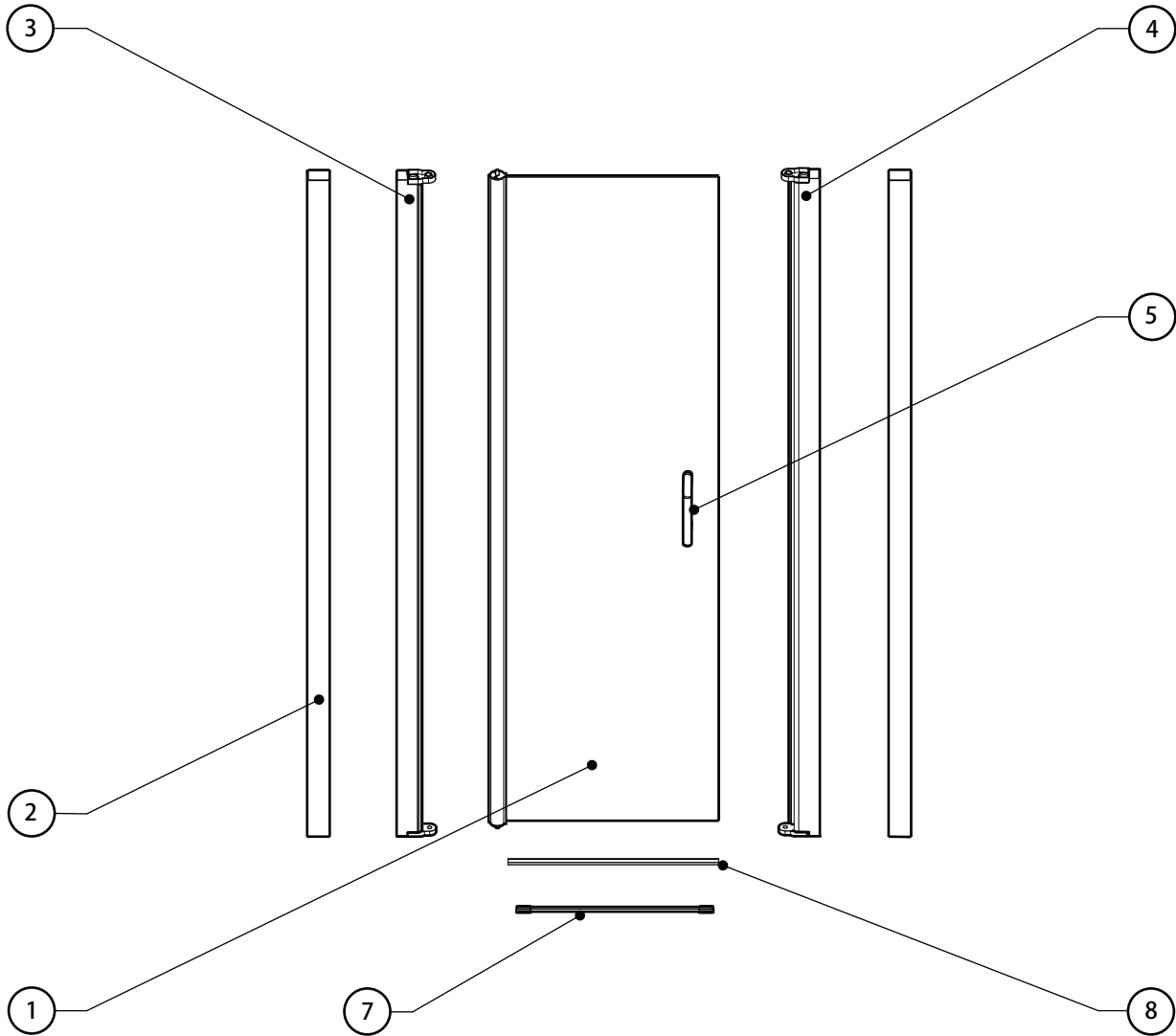
### **HOW TO CARE FOR YOUR DOOR**

Never use scouring powder pads or sharp instruments on metal work or glass panels. An occasional wiping down with a mild detergent diluted in water is all that is needed to keep the panels and aluminum parts looking new.

---

**Product specifications are subject to change without notice.  
Use installation instructions supplied with product.**

---



1 DOOR PANEL (1)

2 WALL JAMB (2)

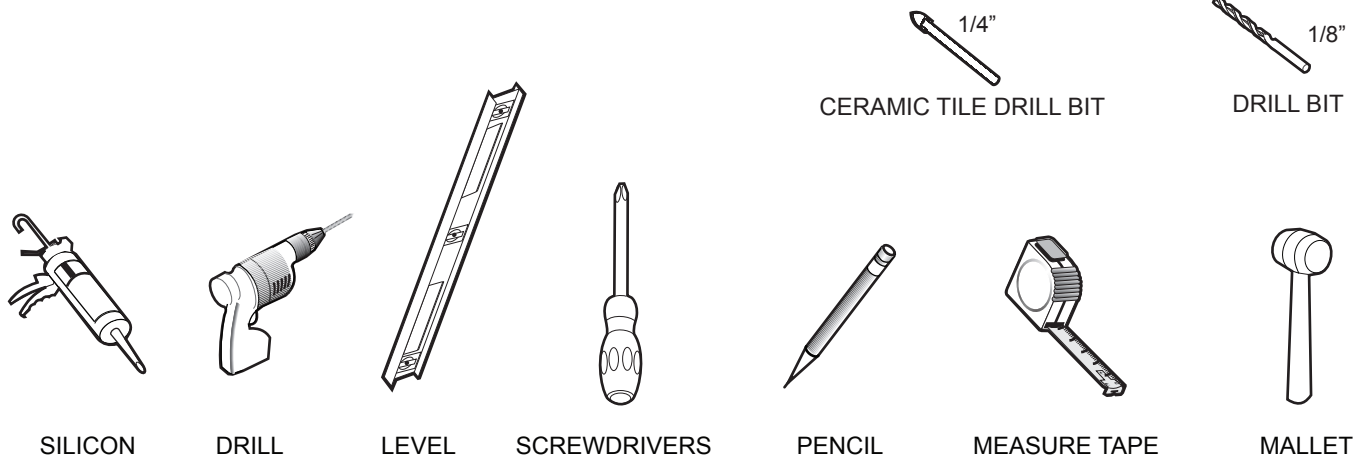
3 PIVOT SIDE COLUMN (1)

4 MAGNET COLUMN (1)

5 SET OF HANDLES (1)

6 BOTTOM DOOR GASKET (1)

7 THRESHOLD (1)



PACKAGING CHECK LIST & HARDWARE

5

SET OF HANDLES (1)

8

WALL PLUG (10)

9

SCREW CAP (8)

10

(M4 X 35)

SCREW 1 3/8" LG (8)

11

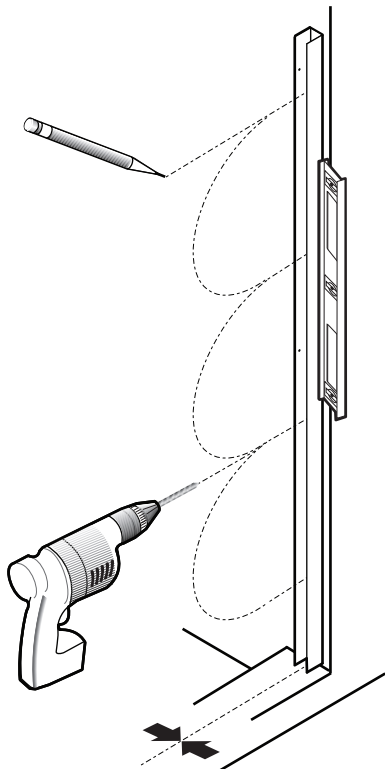
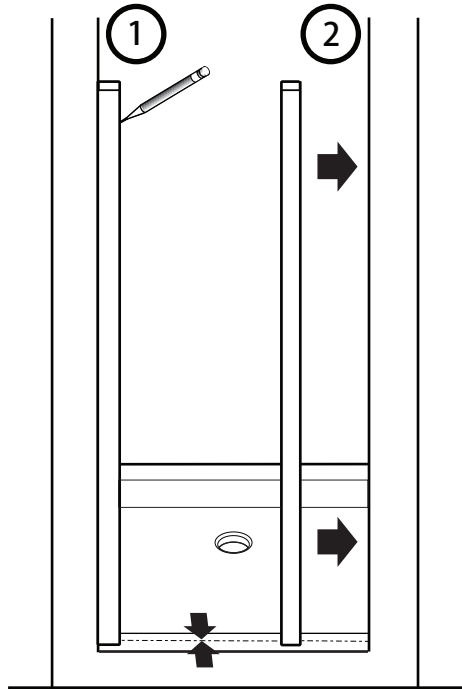
(M4 X 8)

SCREW 5/16" LG (8)

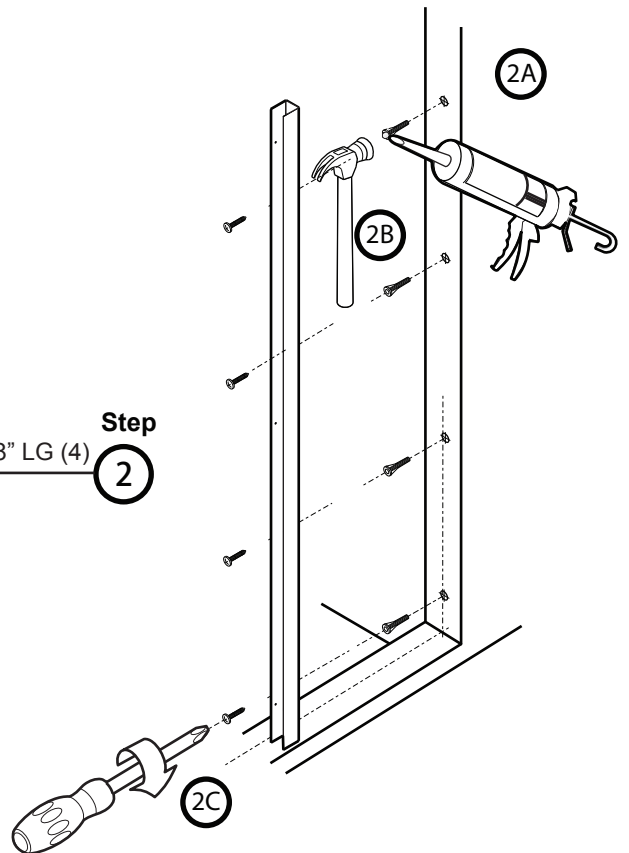
12

KEY(1)

Step  
① WALL JAMB (2)

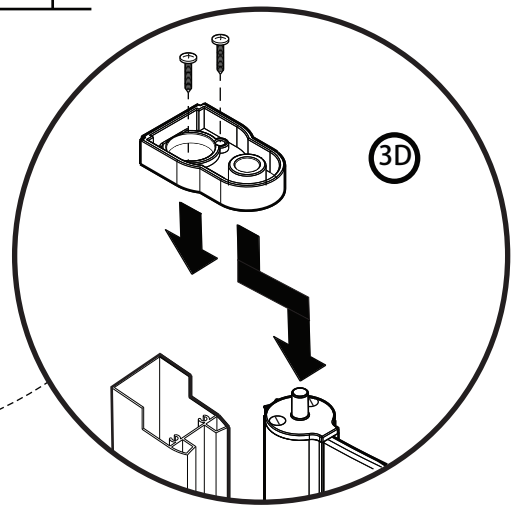
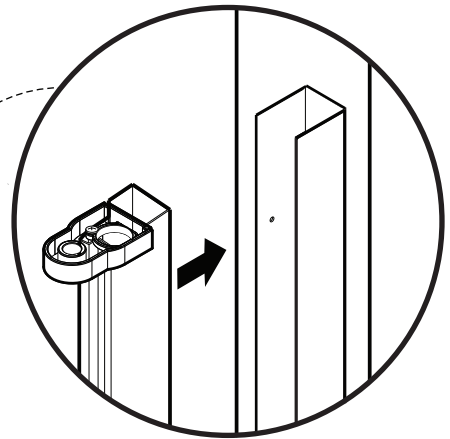
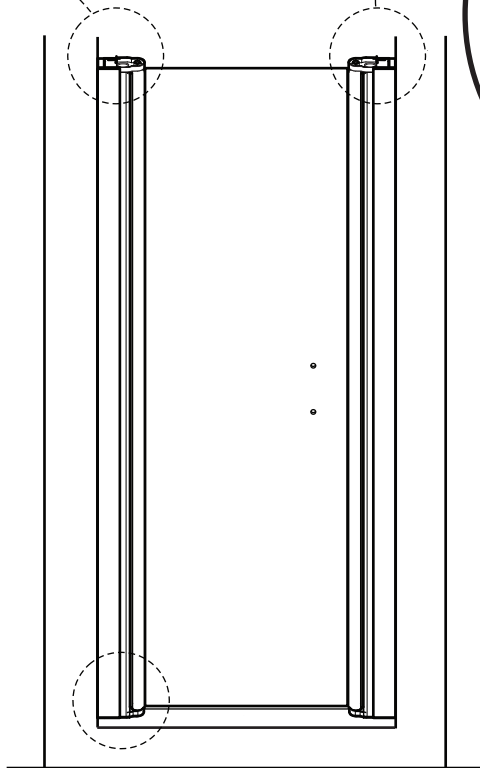
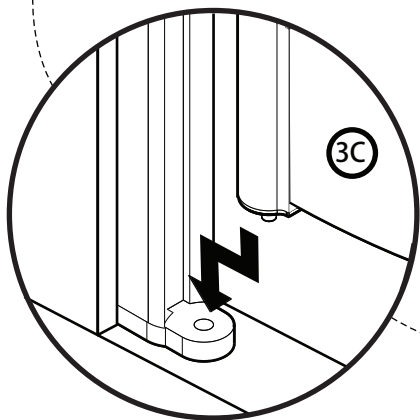
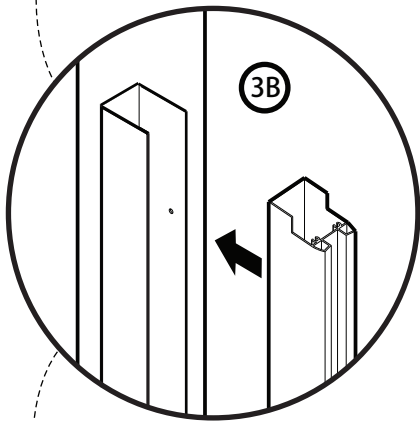
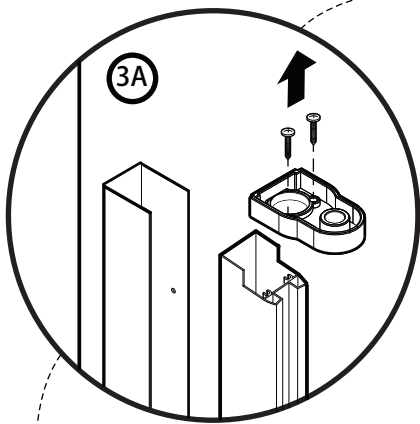


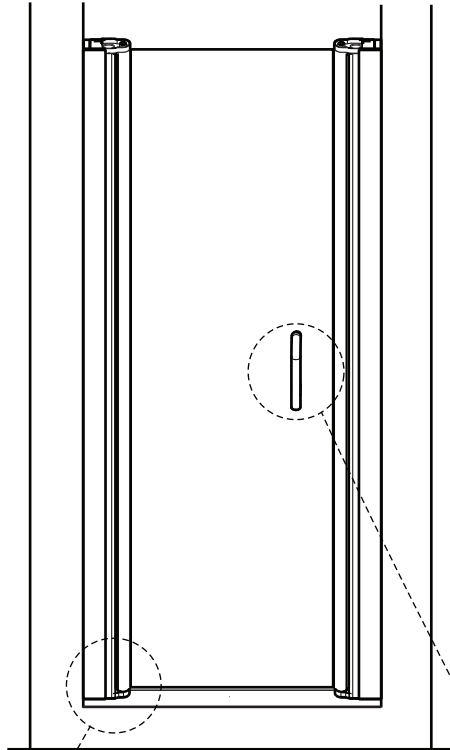
WALL PLUG (4) + SCREW 1 3/8" LG (4)  
Step  
②



Step  
**3** PIVOT SIDE COLUMN (1)

Step  
**4** MAGNET COLUMN (1)



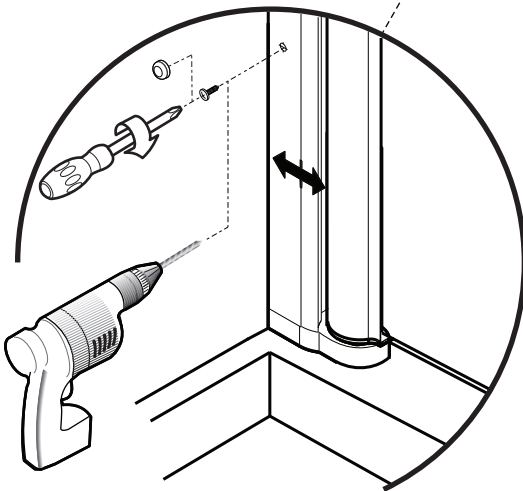


Step

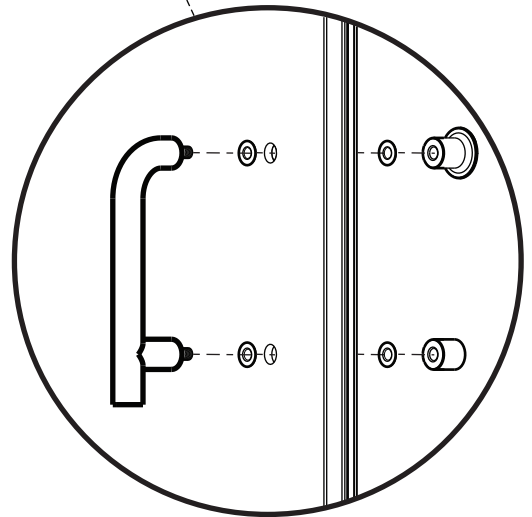
5 SCREW 5/16" LG (6)+SCREW COVER (8)

Step

6 SET OF HANDLES (1)



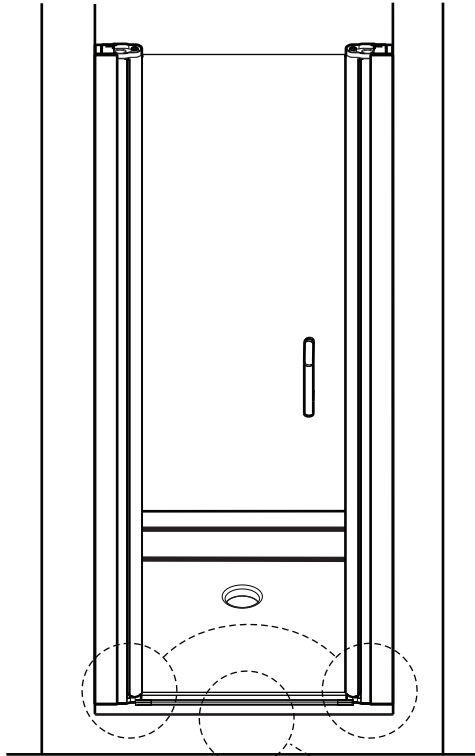
INTERIOR  
SHOWER SIDE





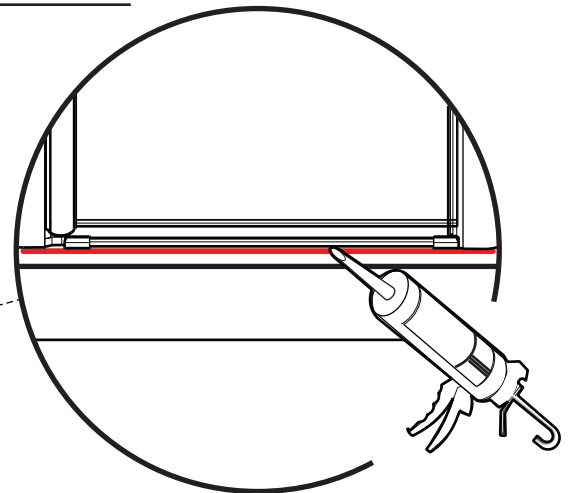
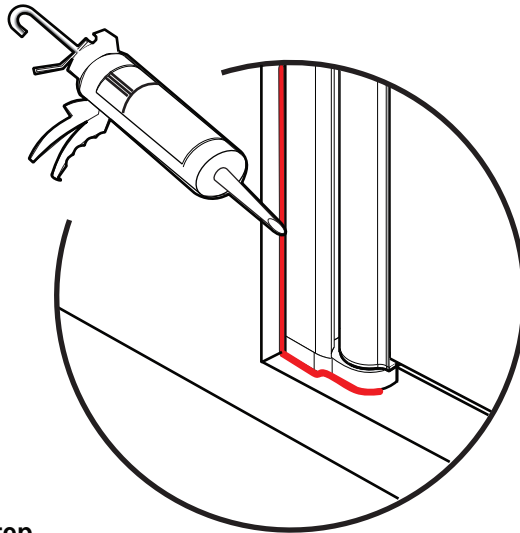


**24** Hours



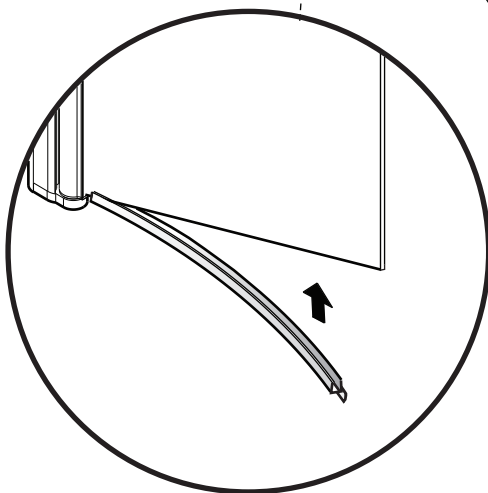
Step

**9** SILICONE SEAL EXTERIOR



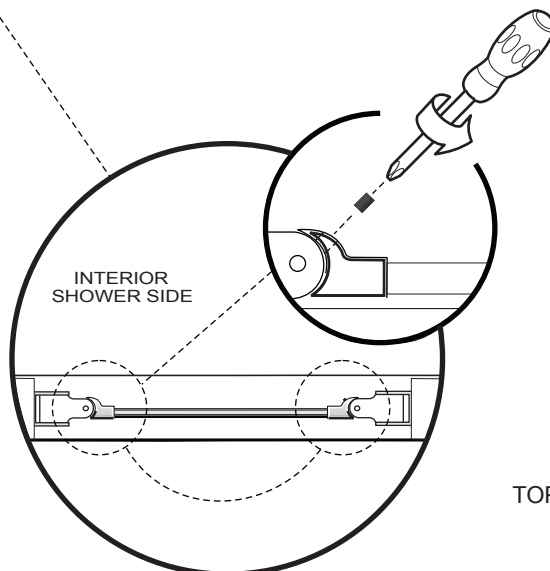
Step

**8** THRESHOLD (1) SILICONE UNDERNEATH



Step

**7** BOTTOM DOOR GASKET (1)



INTERIOR  
SHOWER SIDE

TOP VIEW