

CORNER ENTRY PIVOT DOOR



07.10



Please keep this manual and product code number for future reference and replacement parts ordering if necessary.

READ CAREFULLY AND COMPLETELY BEFORE PROCEEDING

IT IS RECOMMENDED THAT YOU WEAR SAFETY GLASSES AT ALL TIMES DURING INSTALLATION

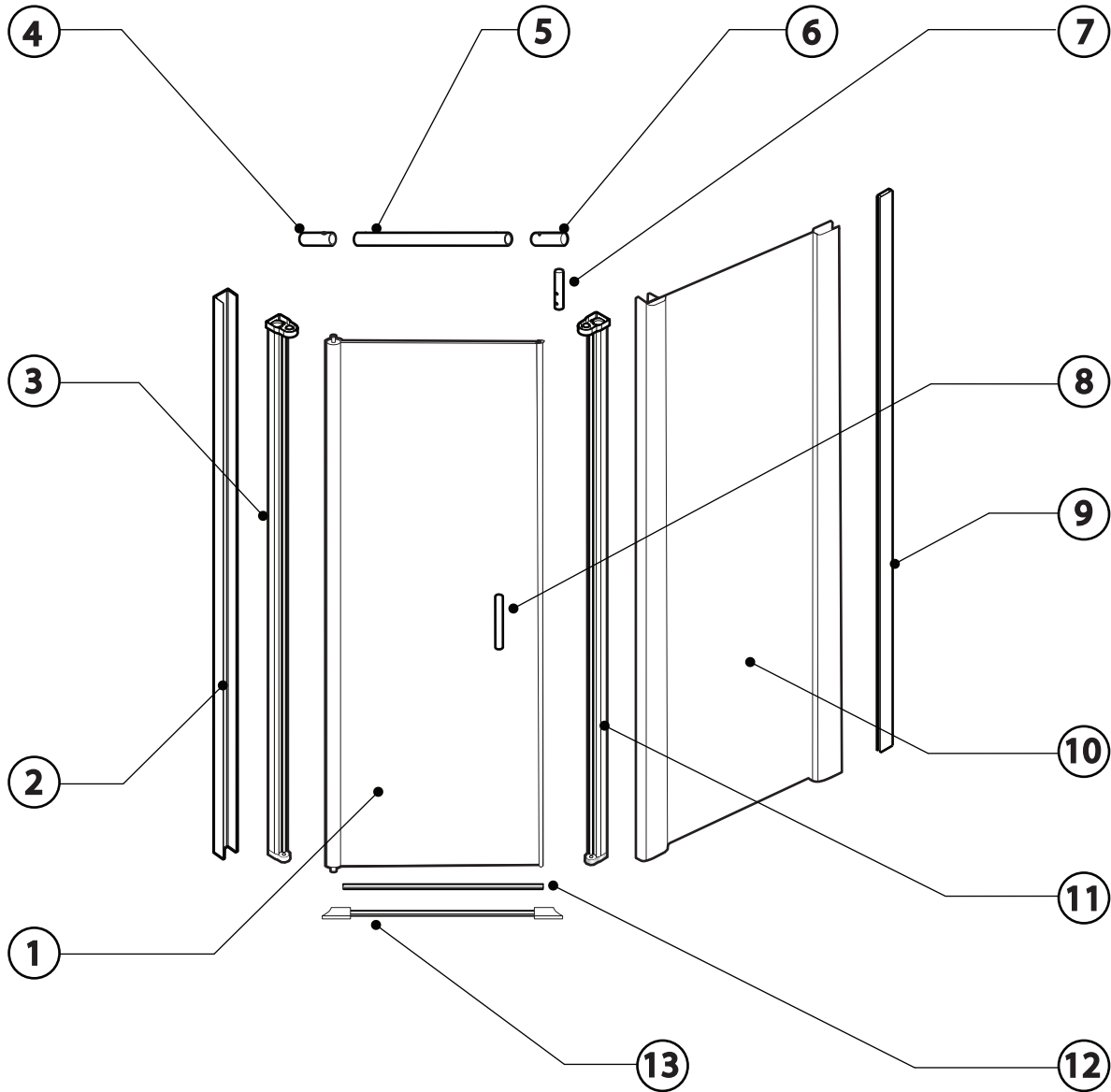
INSTALLATION OVER CERAMIC TILE

If your shower door is to be installed over ceramic tile, tile should extend completely under both wall jambs. Silicone should be used to seal the line where ceramic tile meets the base.

HOW TO CARE FOR YOUR DOOR

Never use scouring powder pads or sharp instruments on metal work or glass panels. An occasional wiping down with a mild detergent diluted in water is all that is needed to keep the panels and aluminum parts looking new.

Product specifications are subject to change without notice.



1 DOOR PANEL (1)

2 WALL JAMB (A) (1)

3 PIVOT SIDE COLUMN (1)

4 WALL BRACKET (1)

5 CONNECTION TUBE (1)

6 CONNECTOR (1)

7 SUPPORT BAR (1)

8 SET OF HANDLES (1)

9 WALL JAMB B (1)


10 FIXED PANEL (1)

11 MAGNET STRIKE (1)

12 BOTTOM DOOR GASKET (1)


13 THRESHOLD (1)

6



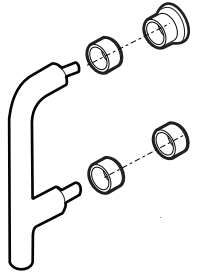
WALL BRACKET (1)

7




CONNECTOR (1)

8




SET OF HANDLES (1)

14



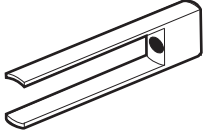
WALL PLUG (9)

15




SCREW CAP (12)

16



SCREWHOLDER (4)


17



M4 X 8

SCREW 5/16" LG (14)


18



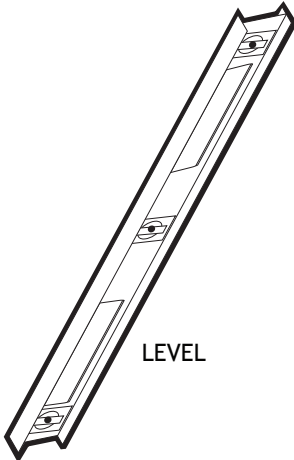
M4 X 35

SCREW 1 3/8" LG (9)

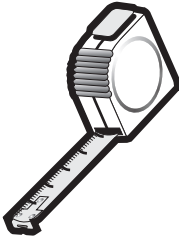
19



KEY (1)



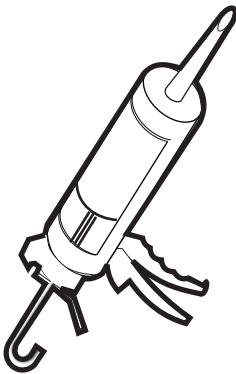
LEVEL



MEASURE TAPE



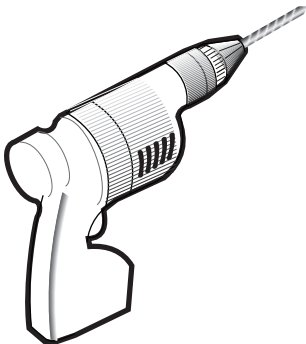
HAMMER



SILICON



SCREWDRIVERS



DRILL

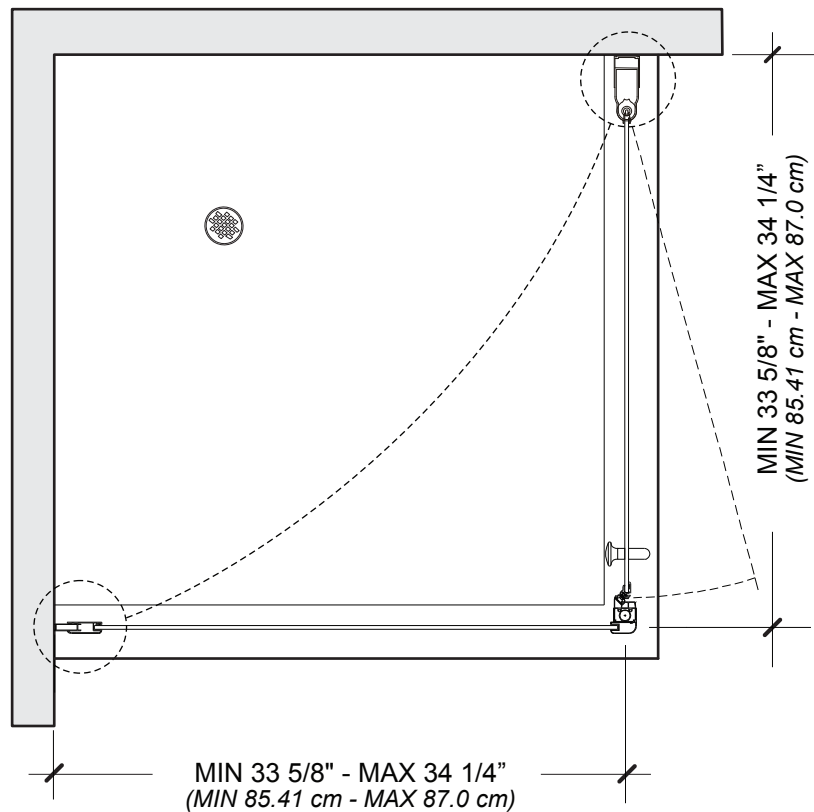


PENCIL

Step

1

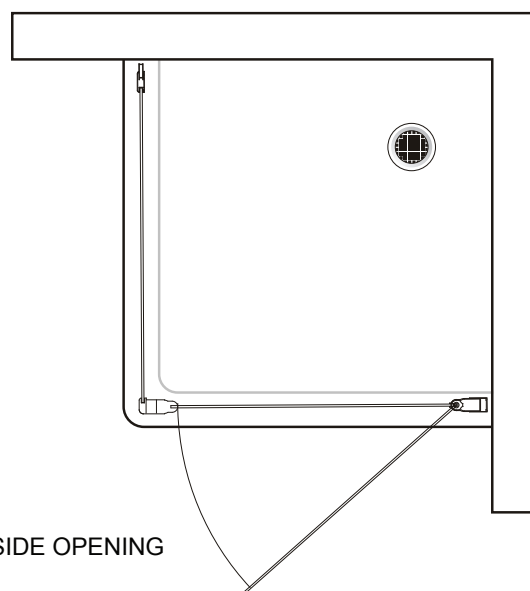
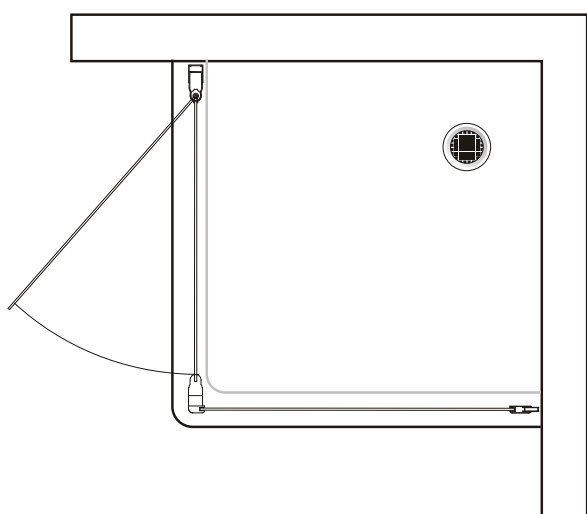
ALIGN TO THE BASE

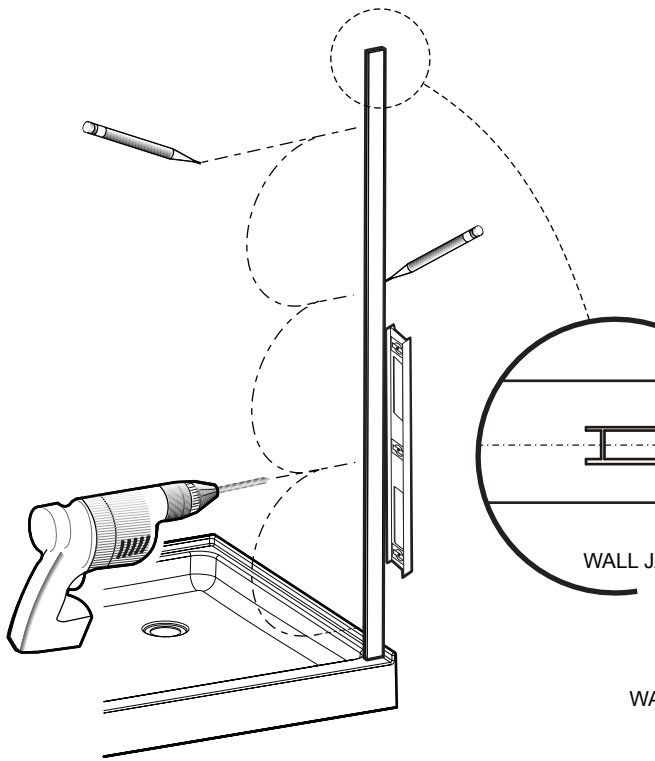


Step

2

CHOOSE LEFT OR RIGHT
SIDE OPENING



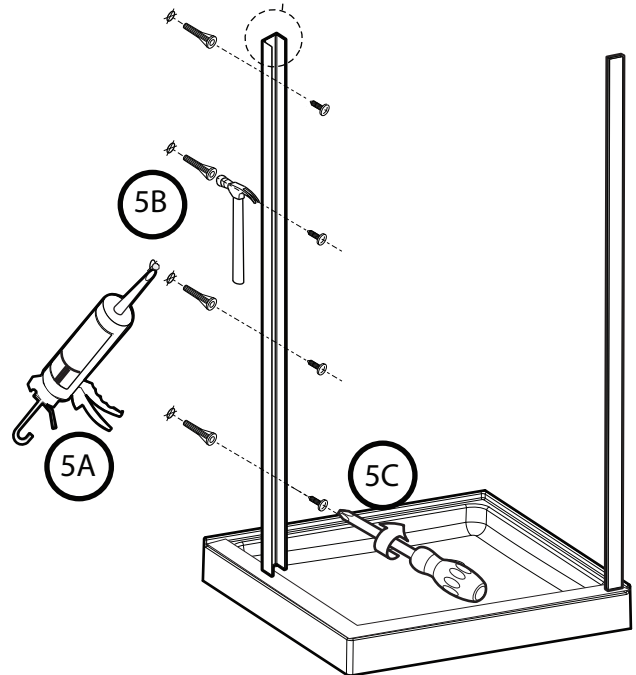
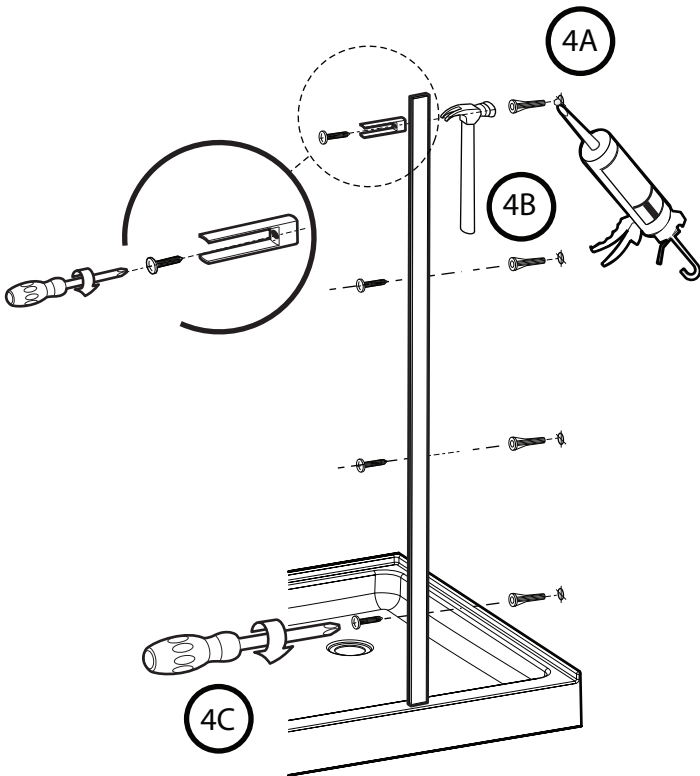
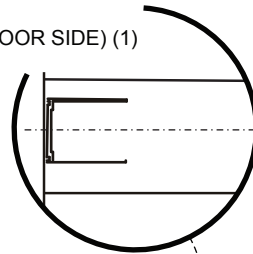


Step
3

- POSITION AND CENTER THE WALLJAMBS (A & B) ONTO THRESHOLD OF SHOWER BASE.
- TRACE OUTER EDGE OF WALL JAMBS.
- MARK THE HOLES
- DRILL THE HOLES

WALL JAMB "B" (FIXED PANEL SIDE) (1)

WALL JAMB "A" (DOOR SIDE) (1)



Step

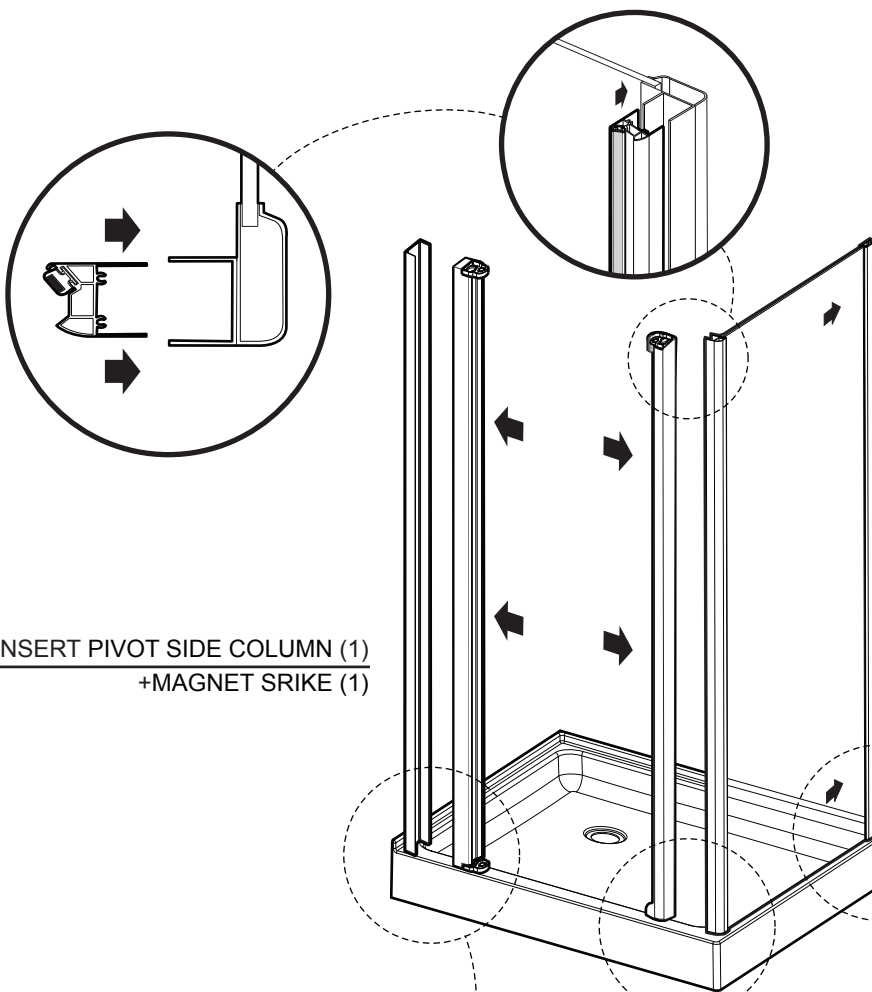
4

WALL PLUG (4) + SCREW 1 3/8" LG (4) + SCREW HOLDER (4)

Step

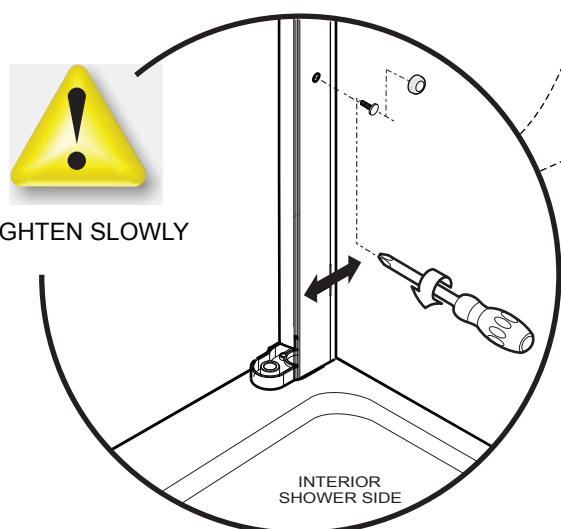
5

WALL PLUG (4) + SCREW 1 3/8" LG (4)

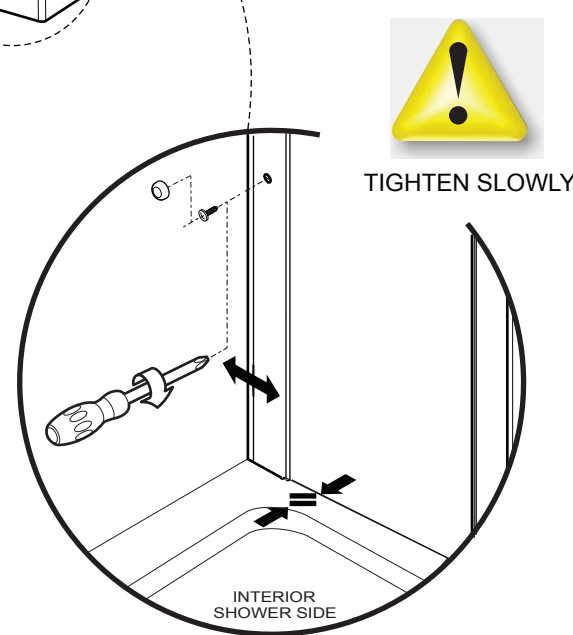


Step 7 INSERT PIVOT SIDE COLUMN (1)
+MAGNET STRIKE (1)

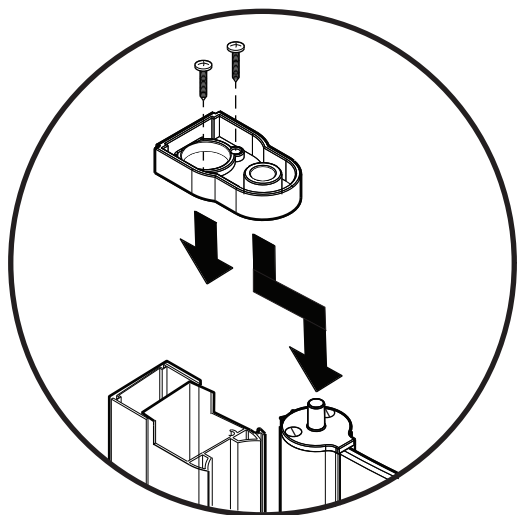
INSERT
FIXED PANEL (1) **Step 6**



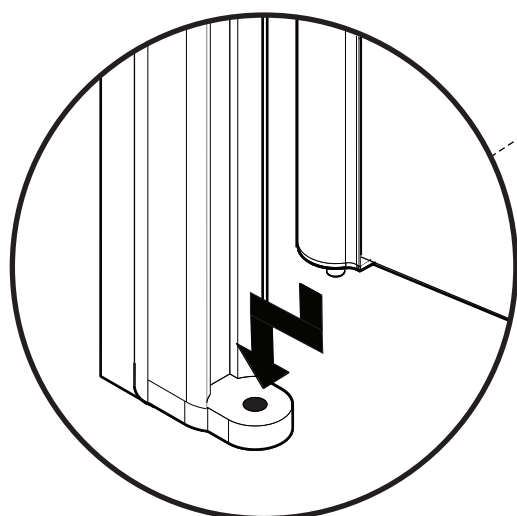
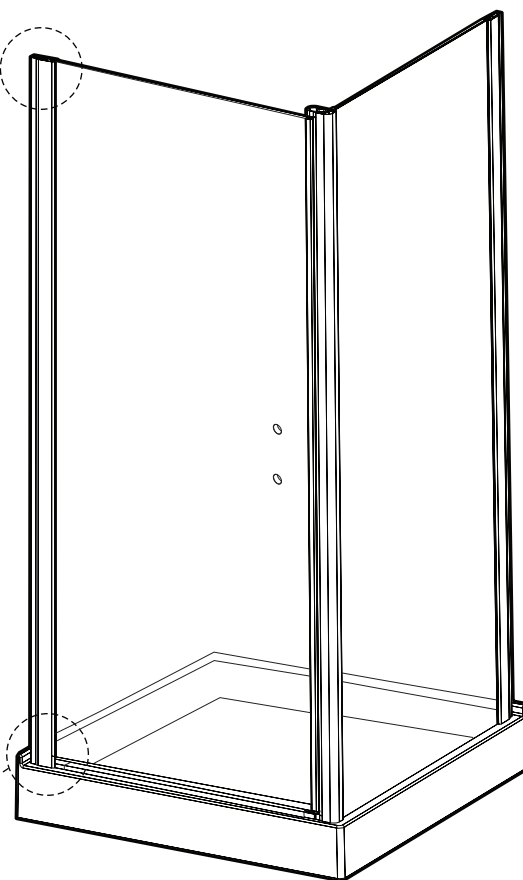
Step 8 FASTENING PIVOT SIDE COLUMN + MAGNET STRIKE



Step 9 FASTENING FIXED PANEL (1)

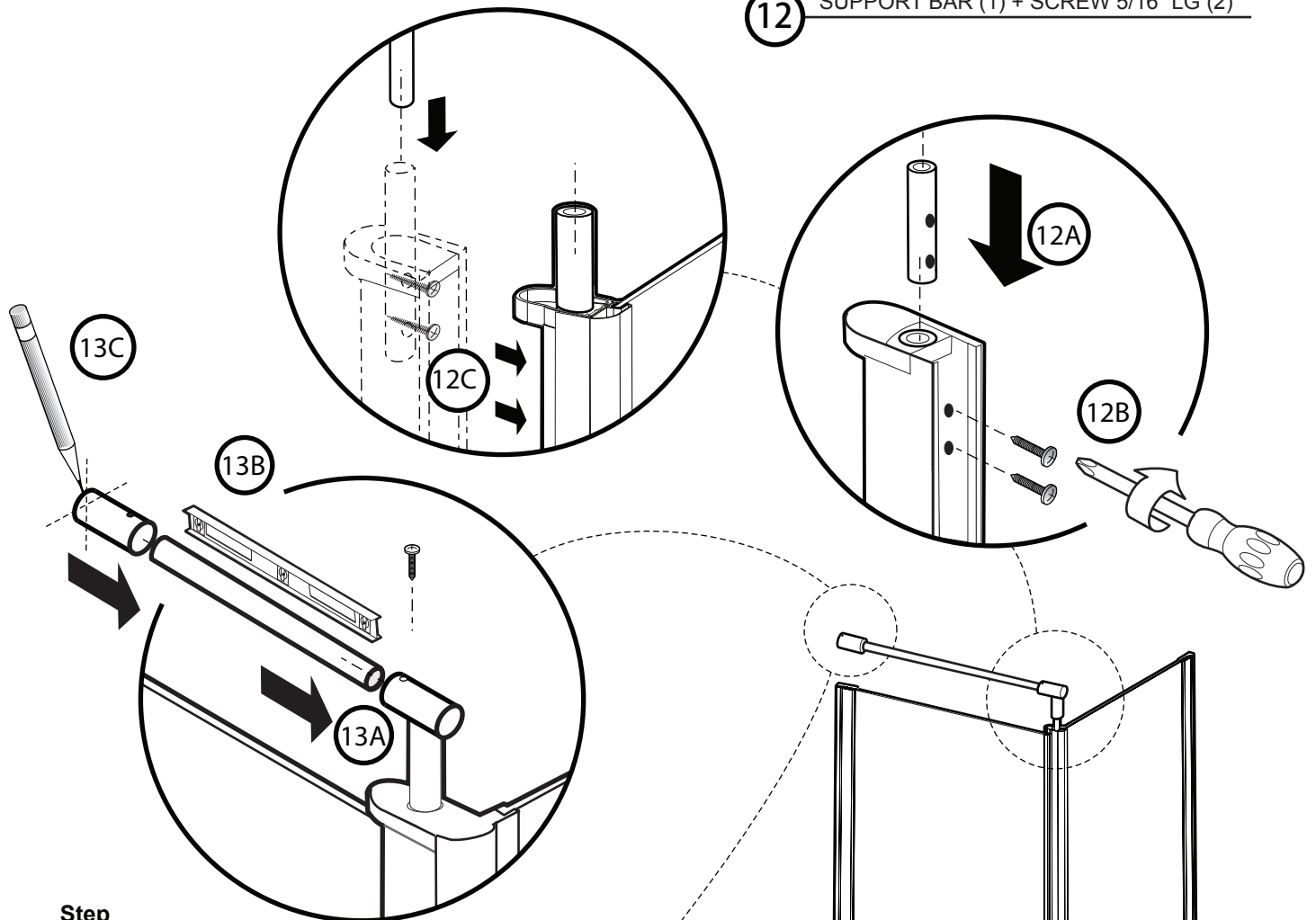


Step
11 PIVOT BLOCK (1) + SCREW 1" LG (2)

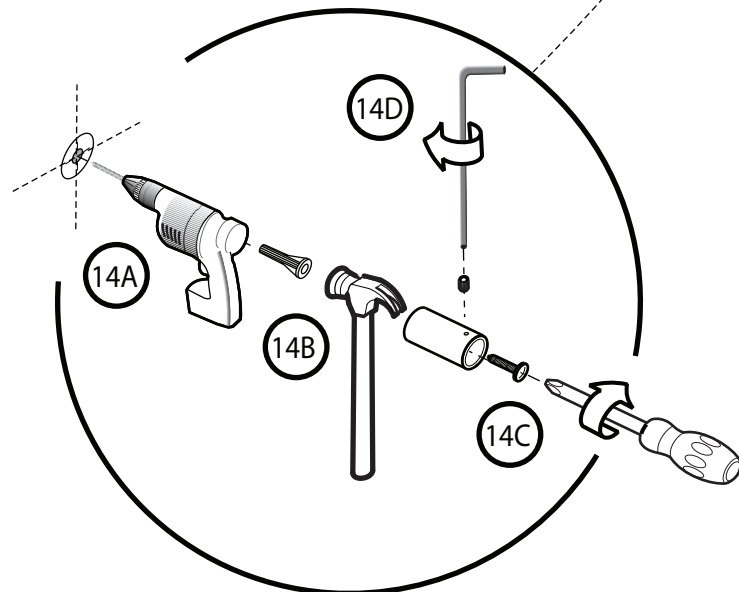


Step
10 DOOR PANEL (1)

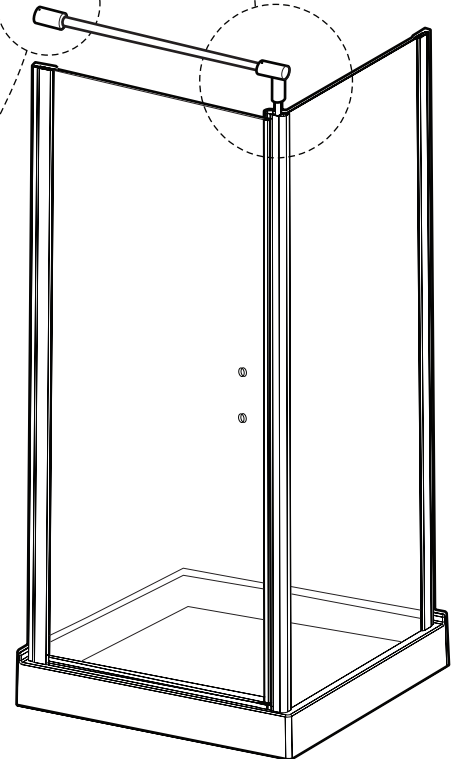
Step
12 SUPPORT BAR (1) + SCREW 5/16" LG (2)



Step
13 CONNECTION TUBE (1)

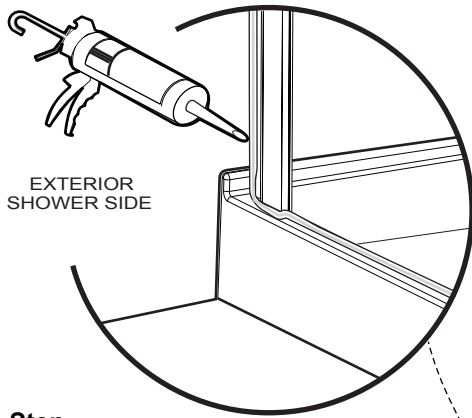


Step
14 WALL PLUG (1) + WALL BRACKET (1)
 + SCREW 1 3/8" LG (1)

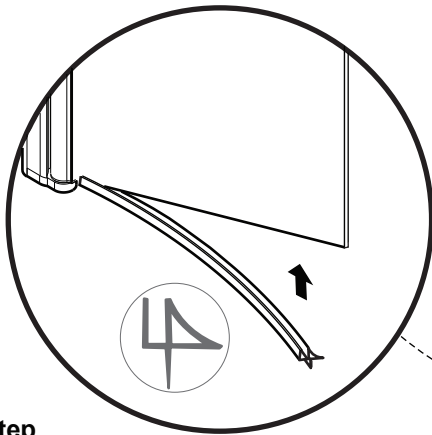




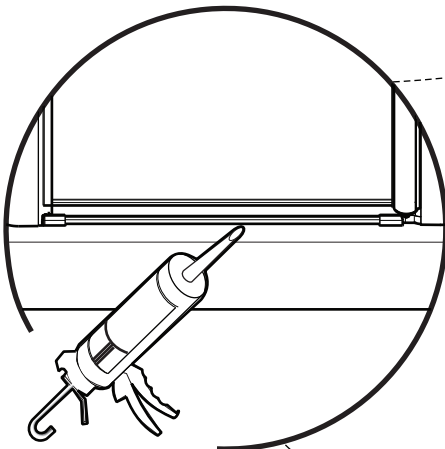
24 Hours



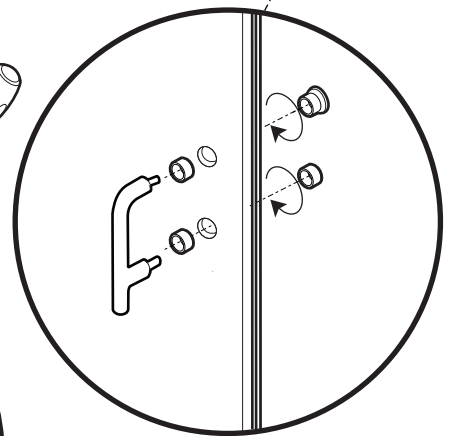
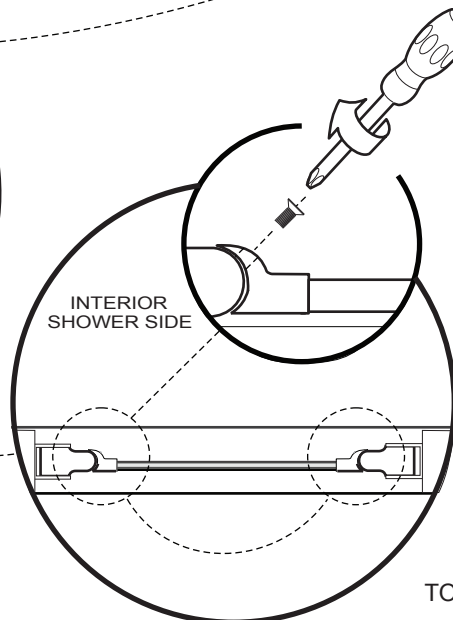
Step 18 SILICON SEAL EXTERIOR



Step 17 BOTTOM DOOR GASKET (1)



Step 16 THRESHOLD (1)
SILICONE UNDERNEATH



Step 15 SET OF HANDLES (1)

