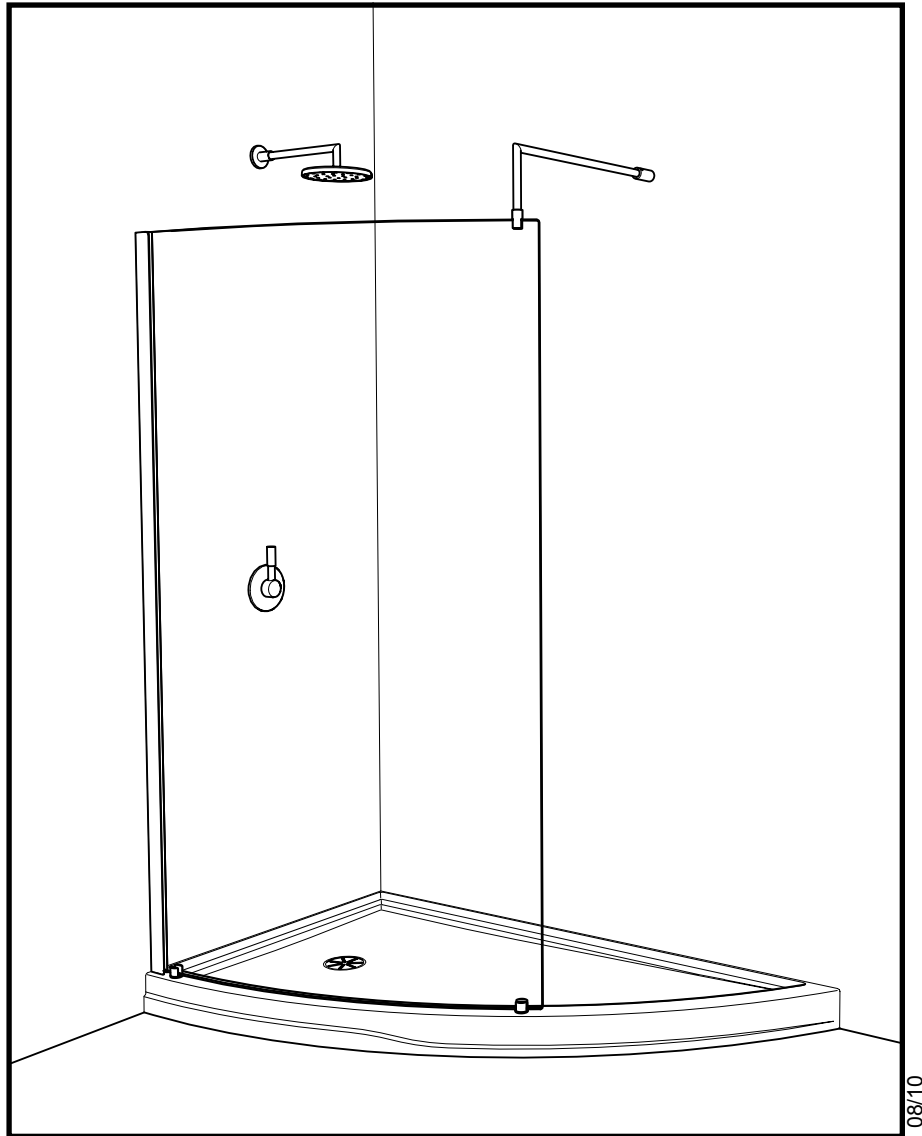


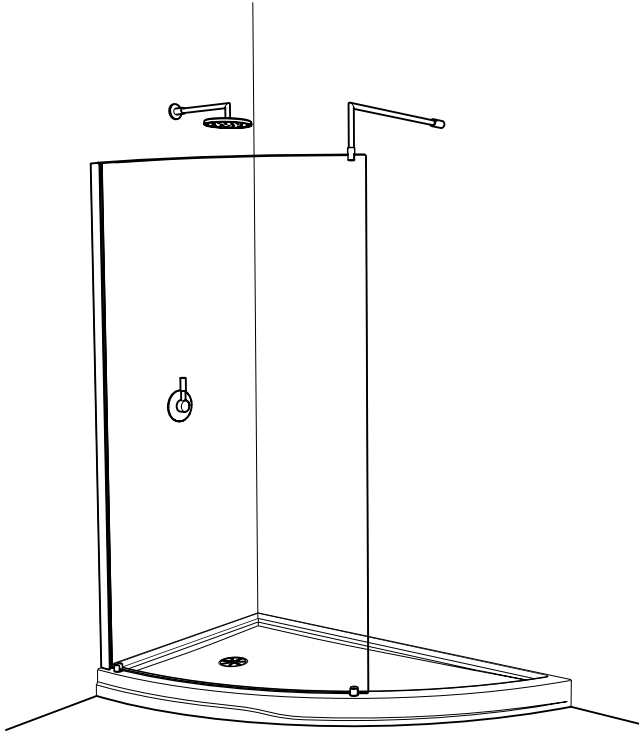
L-CSSY

ALUMAX
Lani Collection

Walk-in • Shower System



08/10



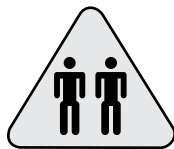
ABSL66-18L

Left side base



ABSL66-18R

Right side base



2 PEOPLE REQUIRED

Please keep this manual and product code number for future reference and replacement parts ordering if necessary.

GENERAL INSTRUCTIONS

- *Read this manual carefully and completely before proceeding.*
- *It is recommended that you wear safety glasses at all times during the installation.*

INSTALLATION OVER CERAMIC TILES

- *Silicone should be used to seal the gap where the ceramic tiles meet the fixed panel.*
- *If your shower door is to be installed over ceramic tiles, the tiles should lay completely under the wall jamb.*

NOTICE

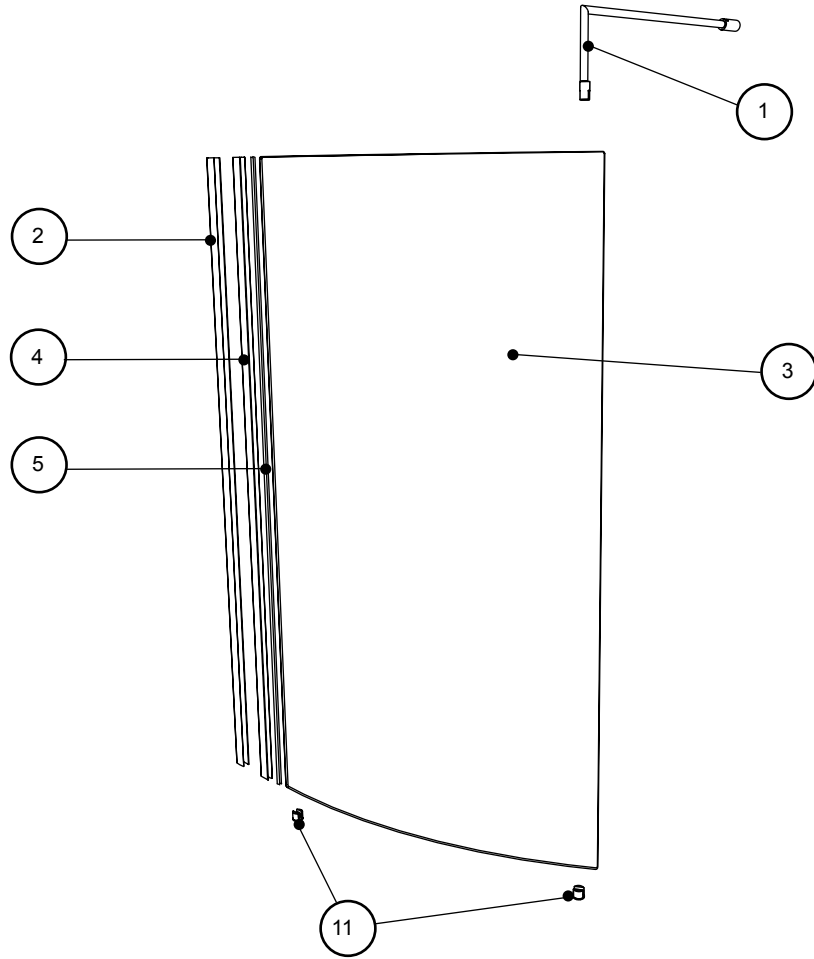
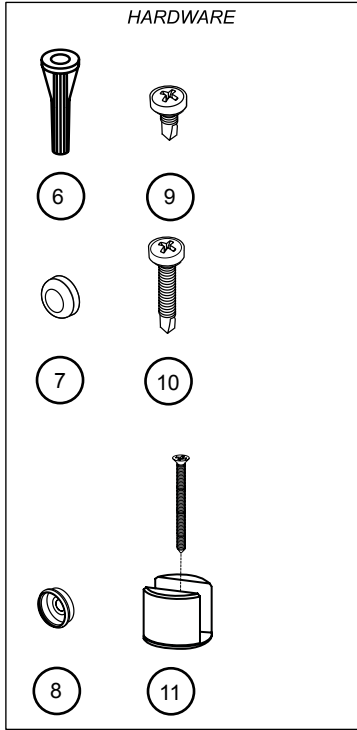
- *Caulking: no sealant is required inside the shower. Unless otherwise stated.*
- *Some models are equipped with clear sealing gaskets.*

CARE FOR YOUR SHOWER DOOR

- *Never use scouring powder pads or sharp instruments on metal pieces or glass panels. An occasional wiping down with a mild soap diluted in water is all that is needed to keep the panels and metal parts looking new.*
- *We recommend wiping the glass panels with a squeegee after each use.*

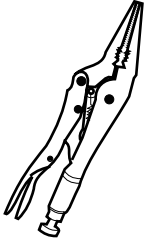
Product specifications are subject to change without notice.

PARTS LISTING



ITEM	PARTS	QTY
1	SUPPORT BAR	1
2	WALL JAMB	1
3	PANEL	1
4	EXPANDER	1
5	GASKET	1
ITEM	HARDWARE	QTY
6	WALL PLUG	4
7	SCREW CAP	4
8	BACK SCREW CAP	4
9	PAN SELF DRILLING SCREW# 8- 3/8"	3
10	PAN SELF-DRILLING SCREW # 8- 1-1/4"	3
11	BOTTOM GLASS CLIP	2

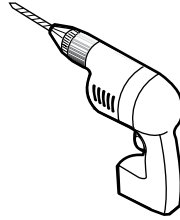
TOOLS REQUIRED



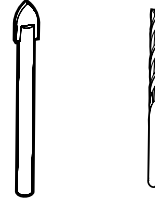
LONG NOSE LOCKING PLIER



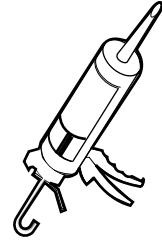
SCREWDRIVERS



DRILL



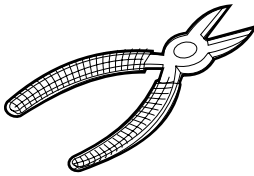
Ø1/4" & Ø1/8" DRILL BITS



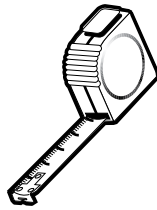
SILICONE



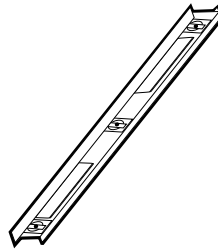
PENCIL



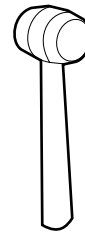
CUTTING PLIER



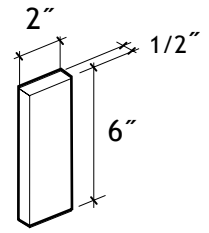
TAPE MEASURE



LEVEL

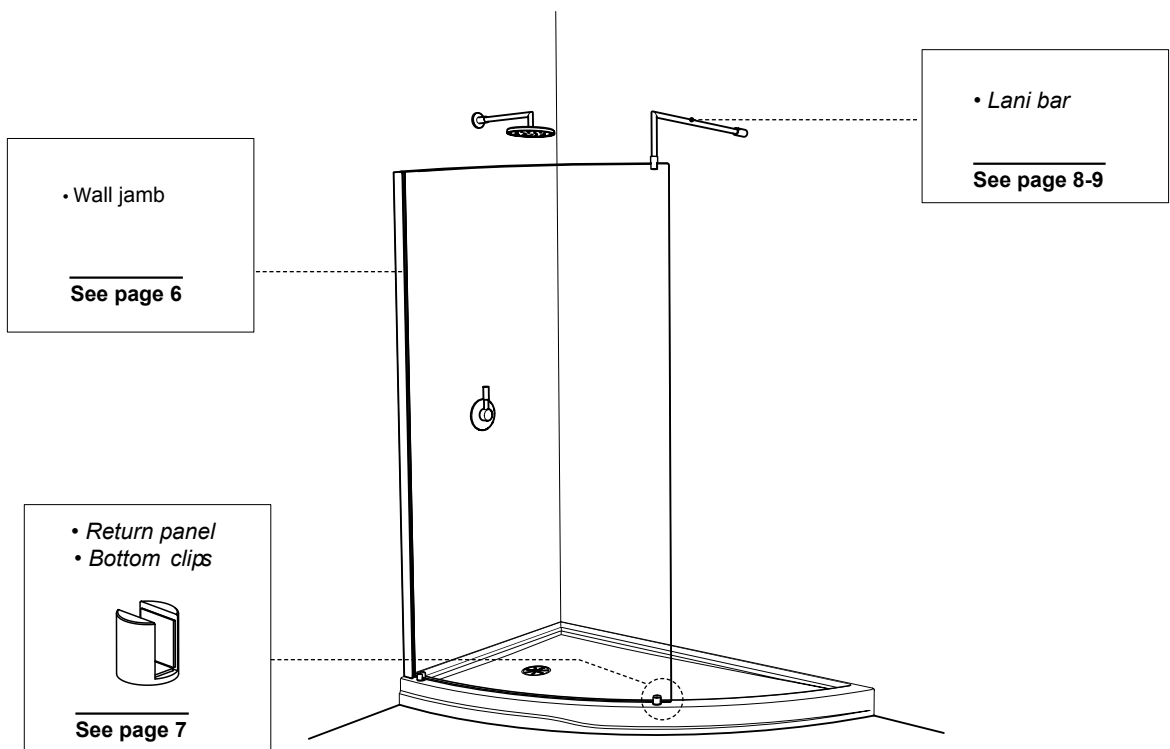


MALLET



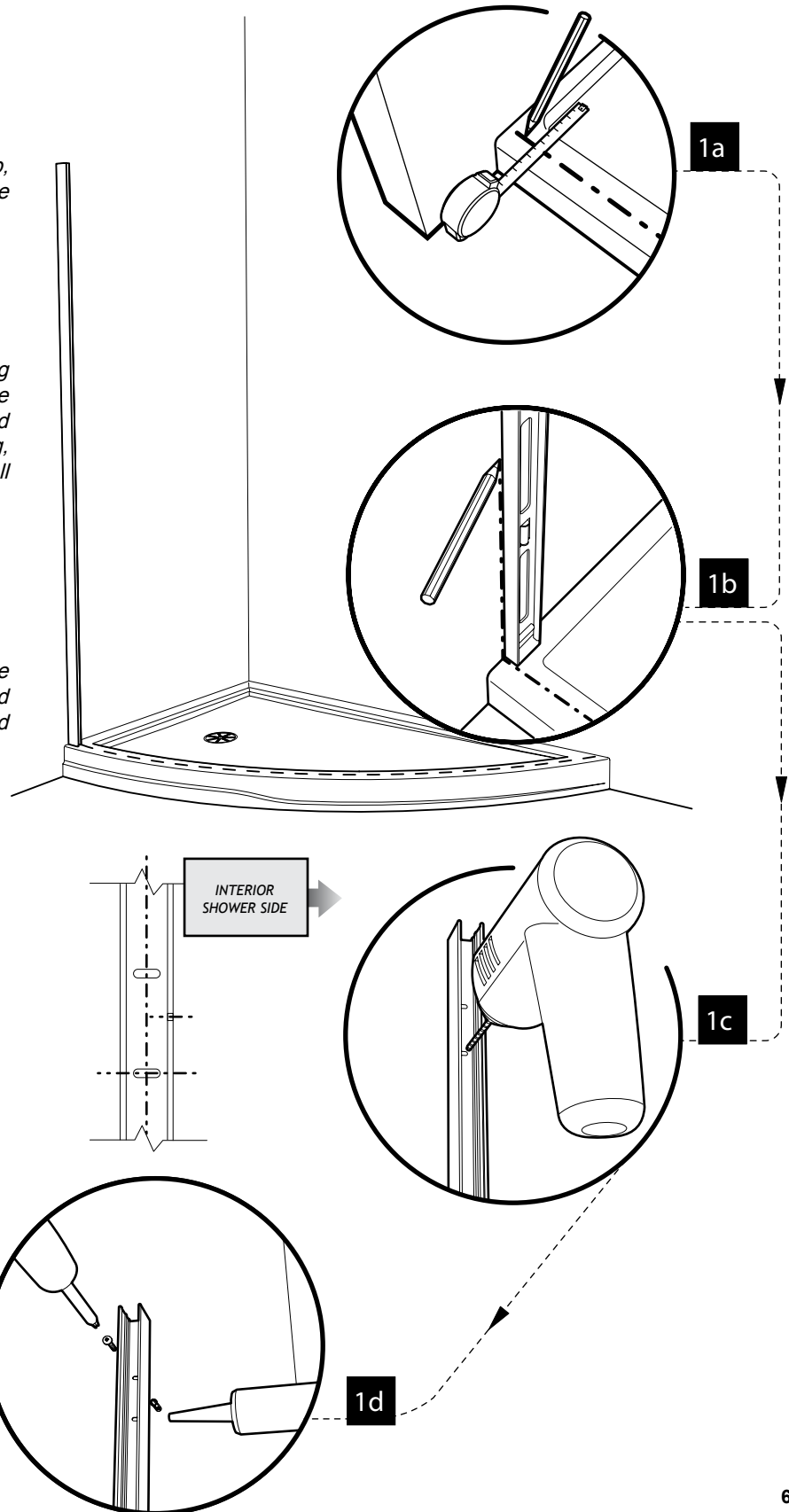
BLOCK

COMPONENTS INSTALLATION



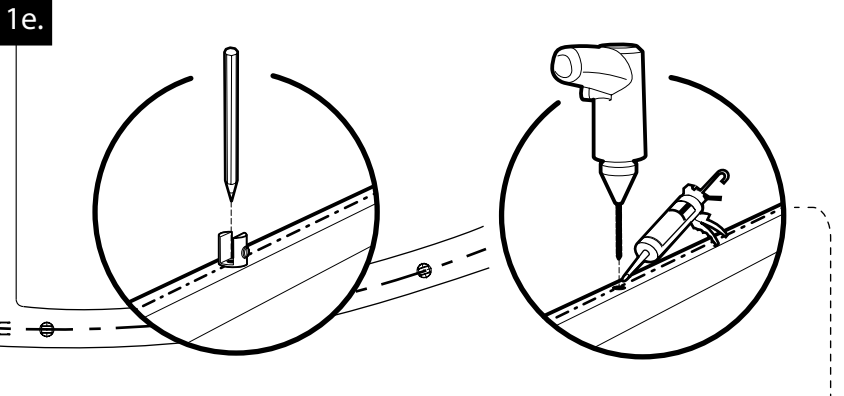
1 FIXED PANEL INSTALLATION

- 1a. Using a measuring tape, mark the center of the threshold of the base.
- 1b. Using the marking established in the previous step, run a second line up the wall. Use a level to ensure verticality of this line.
- 1c. Place the wall jamb onto the wall while ensuring that the wall jamb slotted holes are centered to the center line. The side holes of the wall jamb should face the interior of the shower. Proceed to drilling, using a $\text{\O}1/8''$ drill bit, through the wall using the wall jamb slotted holes as reference.
- 1d. Insert a drop of silicone into each hole made in the previous step. Insert a wall plug into each hole and from there the wall jamb can be repositioned and permanently fastened using #8-1 1/4.

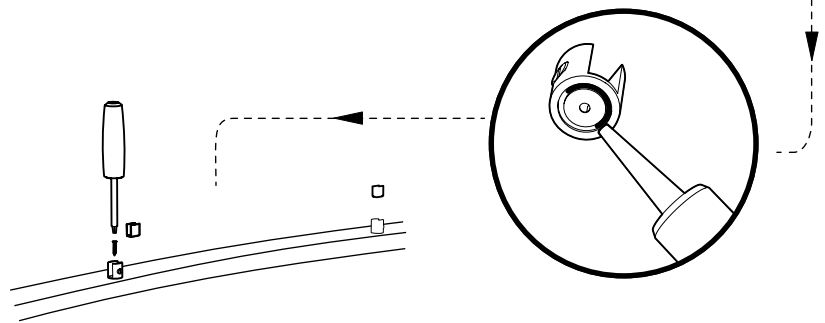


1 CONTINUED

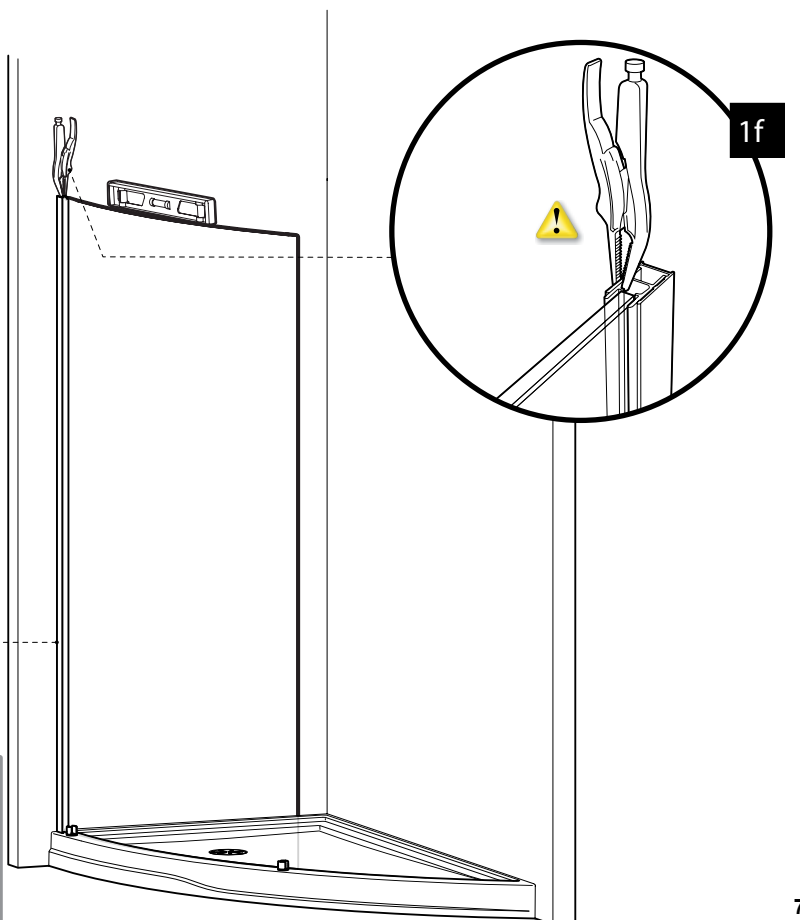
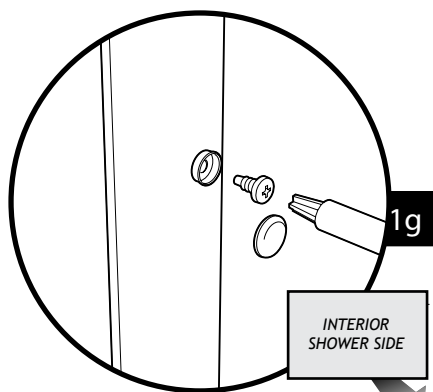
1e. Place the bottom clips for fixed panel on the line traced previously. Mark the screw location. The clips should be placed 1" from the edge of the glass. Remove temporarily the bottom clips to drill the base using Ø1/8" drill bit. Put silicone onto the bottom clip bottom face groove and around the hole. Finally, fasten the bottom clips to the base using the provided screws. Place the gaskets into bottom clips slots.




1f. Slide the fixed panel assembly into the wall jamb and through the bottom clips slots. Once the fixed panel has been adjusted, secure the expander to the wall jamb by way of a clamp so as to keep the fixed panel level. *



1g. By way of #8- 3/8 screws, as well as screw caps secure the wall jamb to the expander.



*  COVER THE PLIER'S TEETH BEFOREHAND TO AVOID SCRATCHING THE ALUMINUM PARTS.

2 SUPPORT BAR INSTALLATION

2a. Take apart the end component (A) of the support bar with the provided Allen Key.

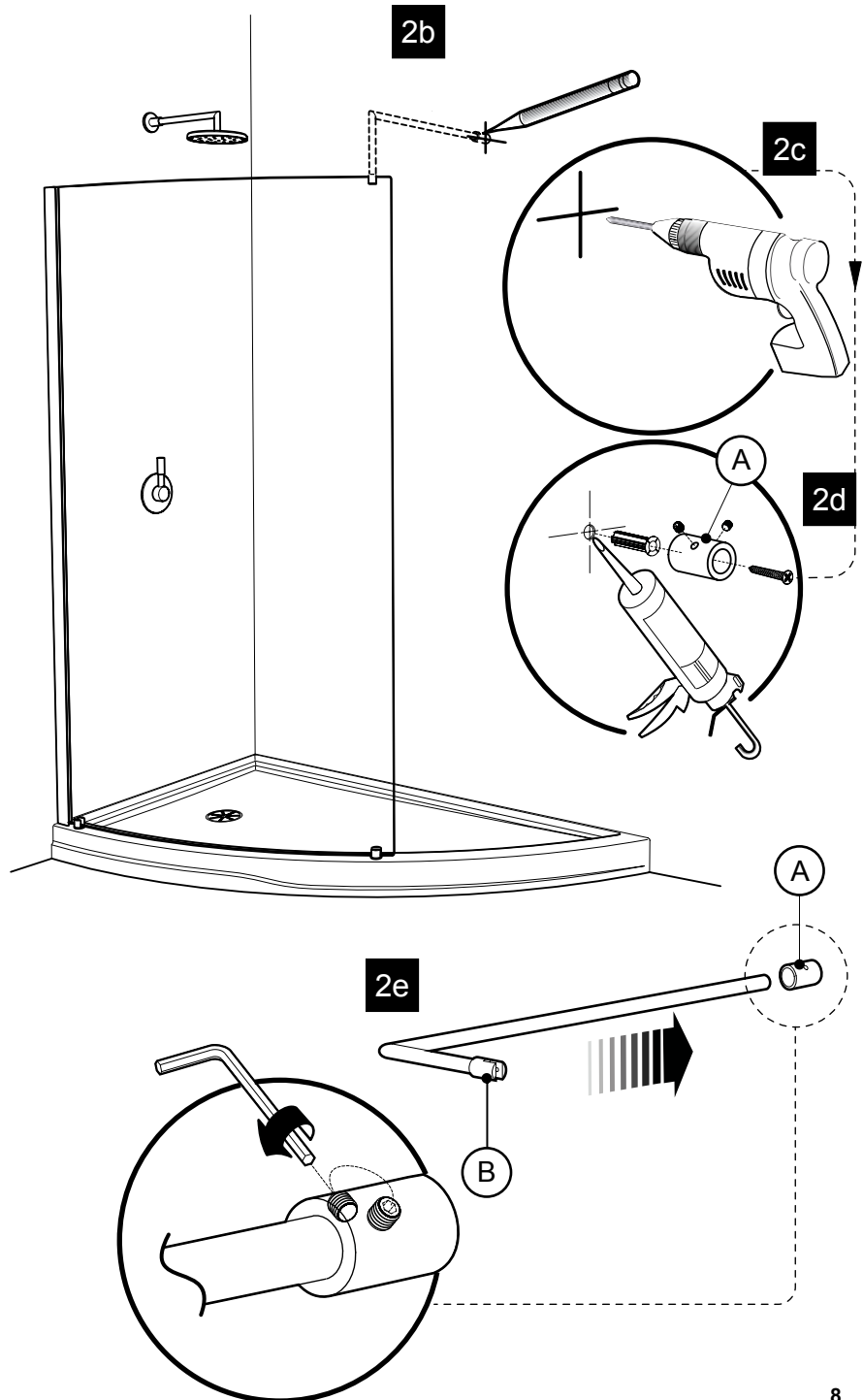


2b. Place the bar on the glass temporary and level the bar. Mark the location of the bar on the wall then remove the support bar.

2c. Drill the back wall using a Ø1/4" drill bit.

2d. Apply a bead of silicone in the hole and insert the wall plug. Proceed to fasten the wall end components (A) onto the wall.

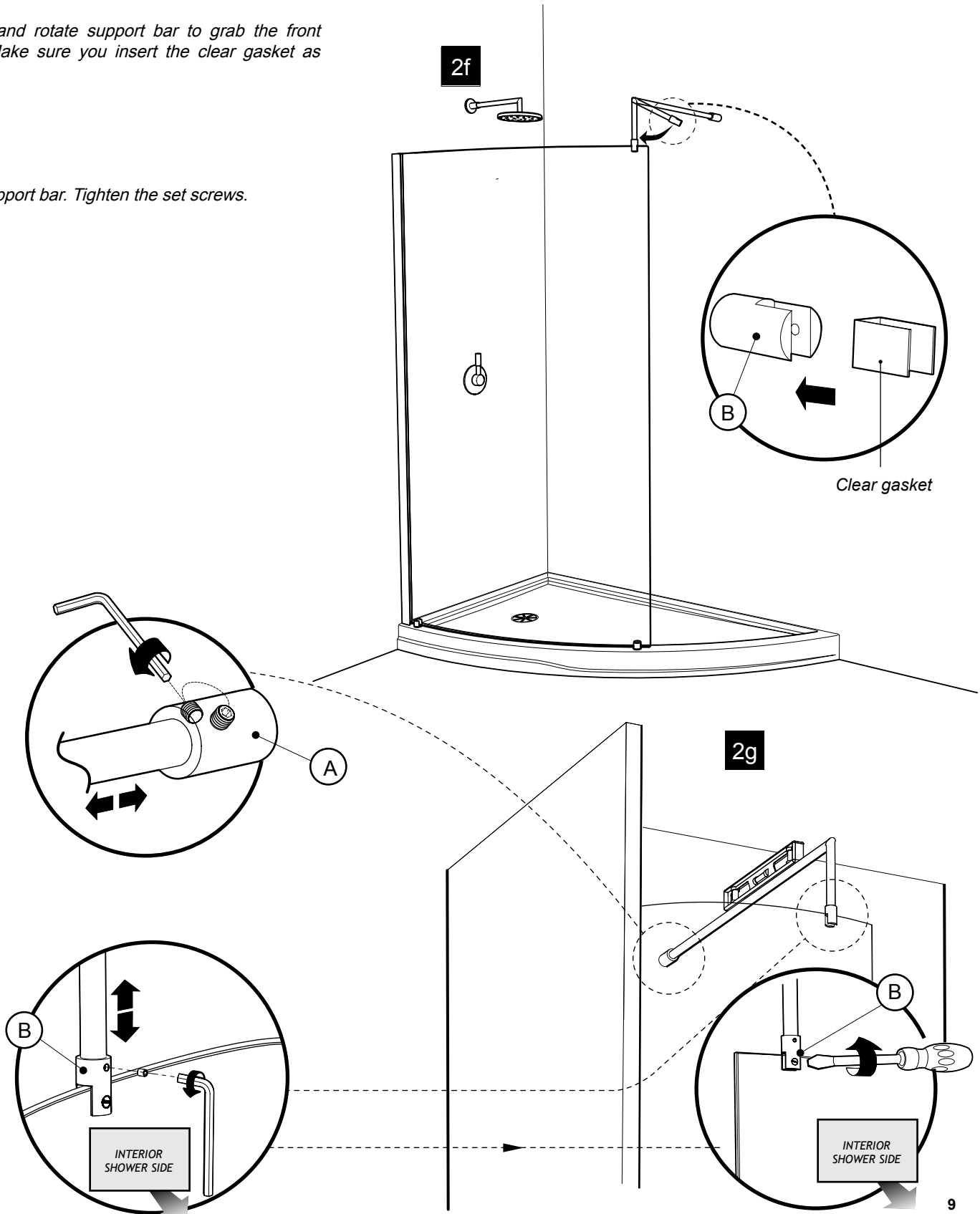
2e. To ease subsequent installation on the front panel. Insert bar in the wall end component (A) on a horizontal plane as shown. Tighten the set screws.



2 CONTINUED

2f. Loosen and rotate support bar to grab the front panel. Make sure you insert the clear gasket as shown.

2g. Level support bar. Tighten the set screws.



3 CAULKING

- 3a. *Silicone seal the exterior of the shower along the wall. Fill gap between glass panels and base surrounding the bottom clips.*



24 HOURS

