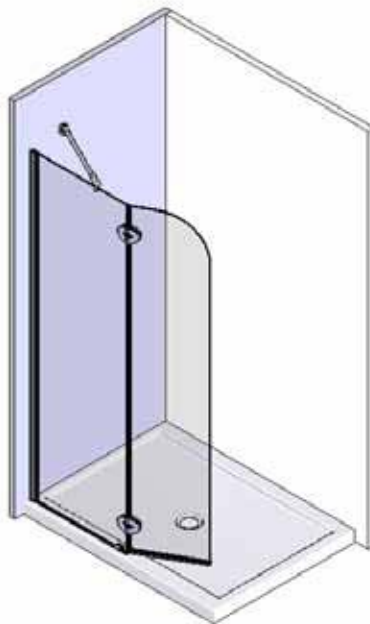
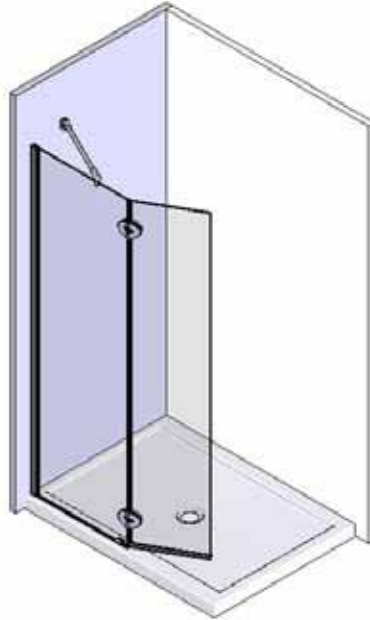


**L-RSSX24 and L-SSSX24**  
INSTRUCTION MANUAL





*Please keep this manual and product code number for future reference  
and to order replacement parts if necessary.*

- **Table of Contents**

MODEL NUMBER.....	2
GENERAL INSTRUCTIONS .....	3
INSTALLATION OVER CERAMIC TILES.....	3
NOTICE .....	3
CARE FOR YOUR FRAMELESS SHOWER DOOR .....	3
PARTS LISTING.....	4
PROVIDED HARDWARE.....	5
TOOLS AND MATERIALS REQUIRED .....	5
1. MOUNT THE WALL JAMB.....	6
2. FASTEN THE BOTTOM GLASS CLIP. ....	7
3. INSTALL THE SIDE PANEL. ....	8
4. INSERT THE SIDE PANEL GASKET.....	8
5. INSTALL THE PIVOT SUPPORT BAR. ....	9
6. INSTALL THE DOOR PANEL.....	9
7. INSTALL THE DOOR PANEL.....	10
8. SILICONE SEAL THE EXTERIOR. ....	11

- **General Instructions**

- Read this manual carefully and completely before proceeding.
- It is recommended that you wear safety glasses at all times during the installation.

- **Installation over Ceramic Tiles**

- Silicone should be used to seal the gap where the ceramic tiles meet the fixed panel.
- If your shower door is to be installed over ceramic tiles, the tiles should lay completely under the wall jamb.

- **Notice**

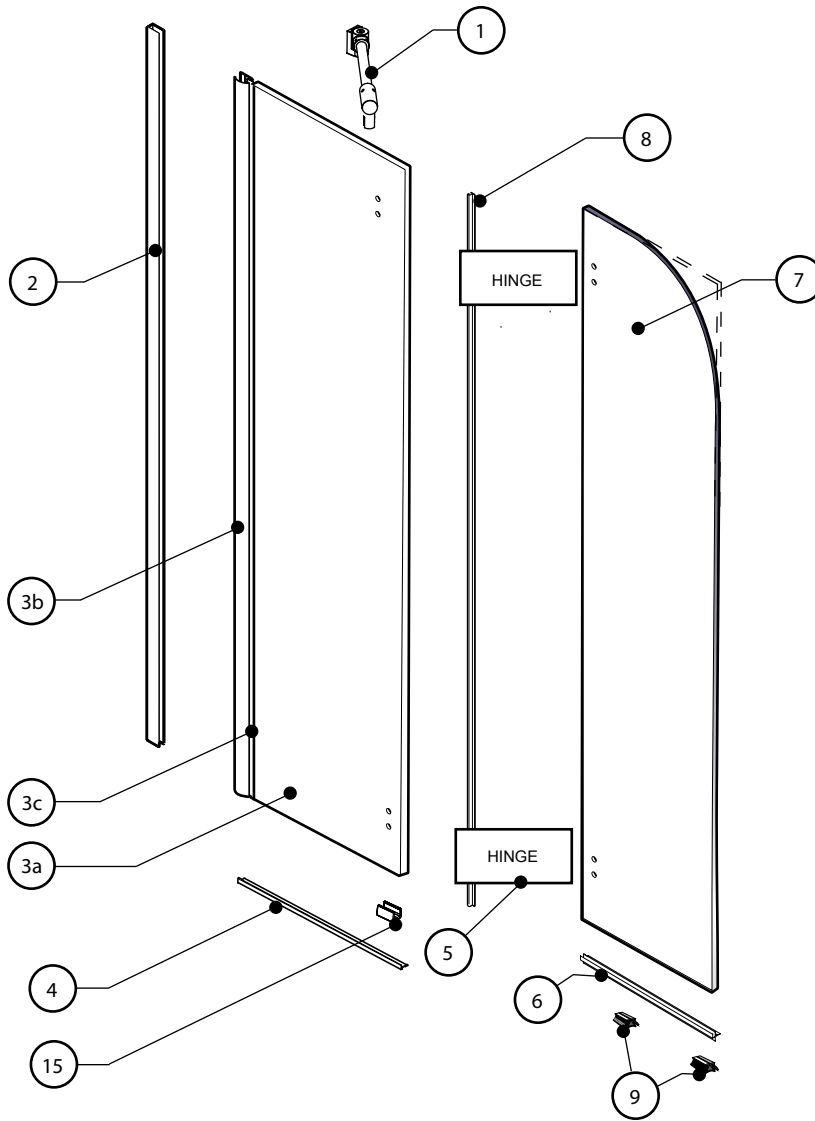
- Caulking: no sealant is required inside the shower.
- All models are equipped with transparent sealing gaskets.

- **Care for your Frameless Shower Door**

- Never use scouring powder pads or sharp instruments on metal pieces or glass panels.  
An occasional wiping down with a mild soap diluted in water is all that is needed to keep the panels and aluminum parts looking new.
- We recommend wiping the glass panels with a squeegee after each use.

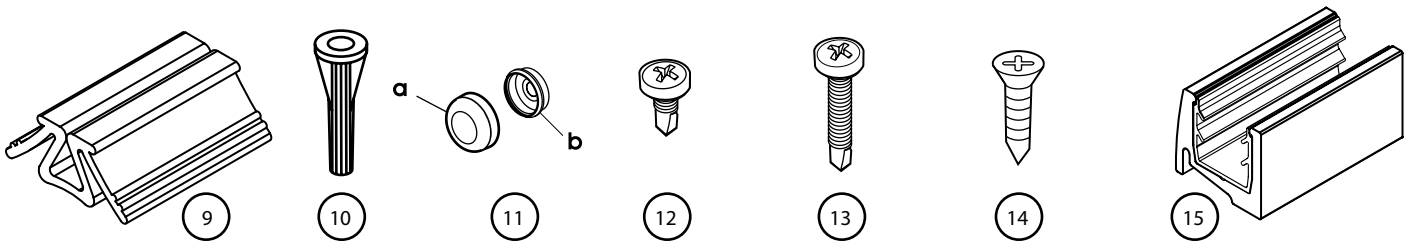
**Product specifications are subject to change  
without notice.**

**PARTS LISTING**



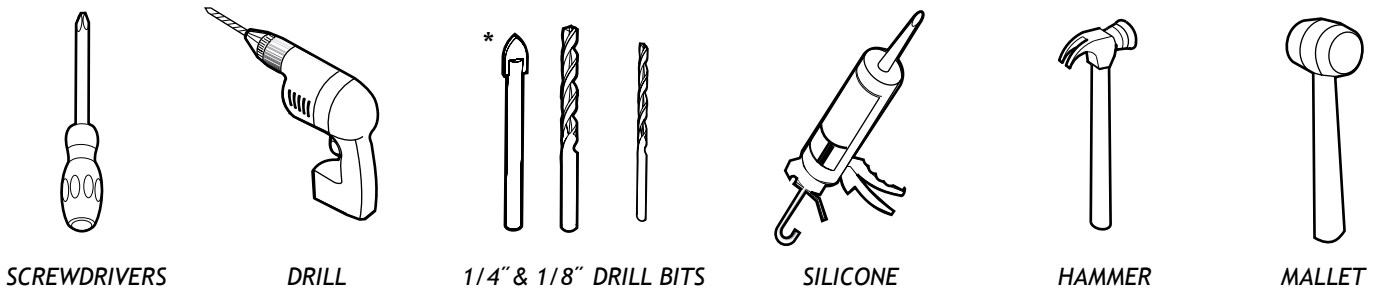
ITEM	PARTS	QTY
1	PIVOT SUPPORT BAR	1
2	WALL JAMB	1
3a	SIDE PANEL	1
3b	EXPANDER	1
3c	GASKET	1
4	ALUMINUM THRESHOLD	1
5	HINGE	2
6	BOTTOM DOOR GASKET	1
7	DOOR PANEL	1
8	SIDE PANEL GASKET	1

**PROVIDED HARDWARE**

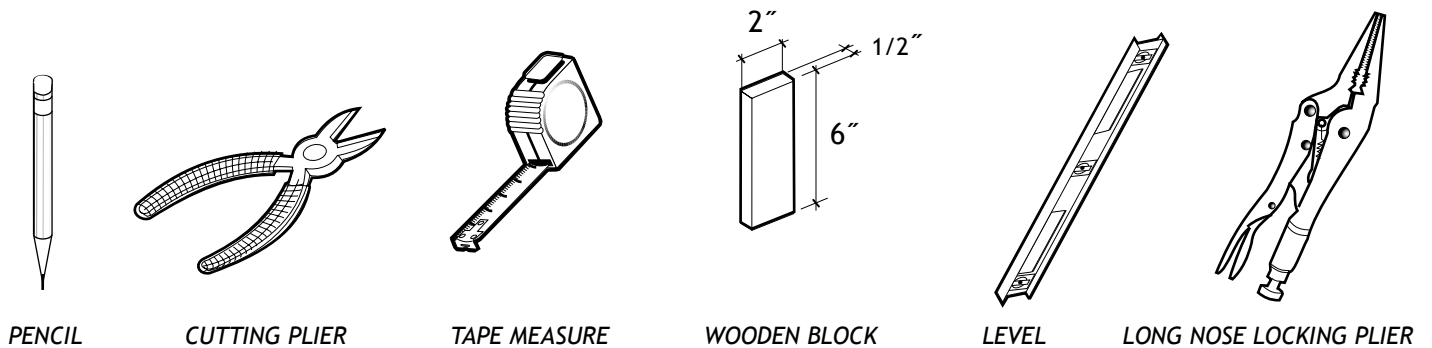


ITEM	HARDWARE	QTY
9	SPACING BLOCKS	2
10	WALL PLUG	4
11	SCREW CAP	4
12	SELF DRILLING SCREW 3/8"	3
13	SELF-DRILLING SCREW 1 1/4"	3
14	FLAT HEAD SCREW 3/4"	1
15	BOTTOM GLASS CLIP	1

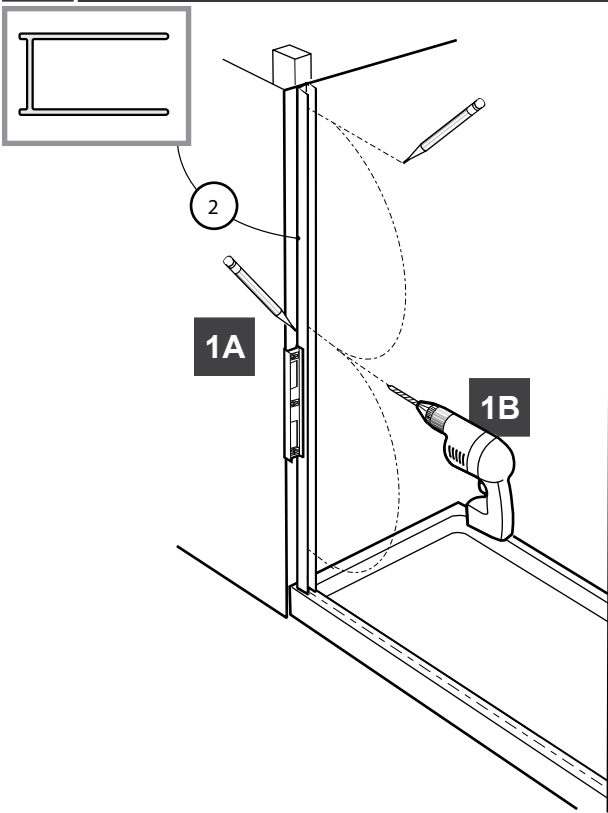
**TOOLS AND MATERIALS REQUIRED**



\* If the shower panels are to be assembled on ceramic tiles, use a 1/4" drill bit for ceramic tiles.



**1 MOUNT THE WALL JAMB.**

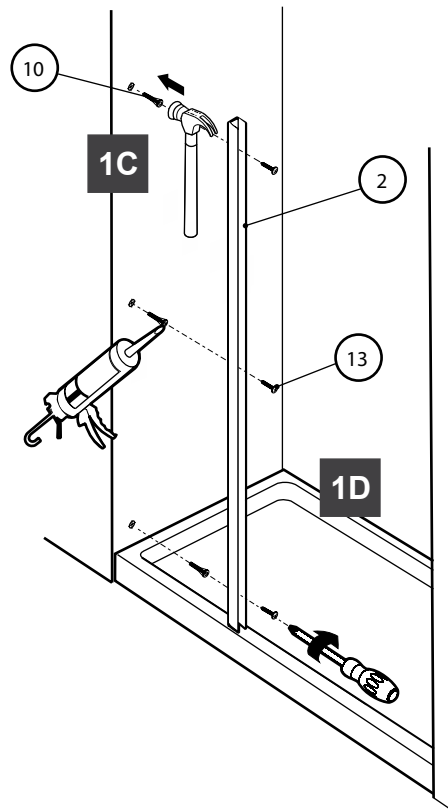


1A. Place the wall jamb (#2) on the center of the threshold and align it using a level. Trace the outer edge of the wall jamb and the holes onto the wall. Remove the wall jamb.

1B. With a 1/4" drill bit, drill 3 holes into the wall using the marks as a guide.

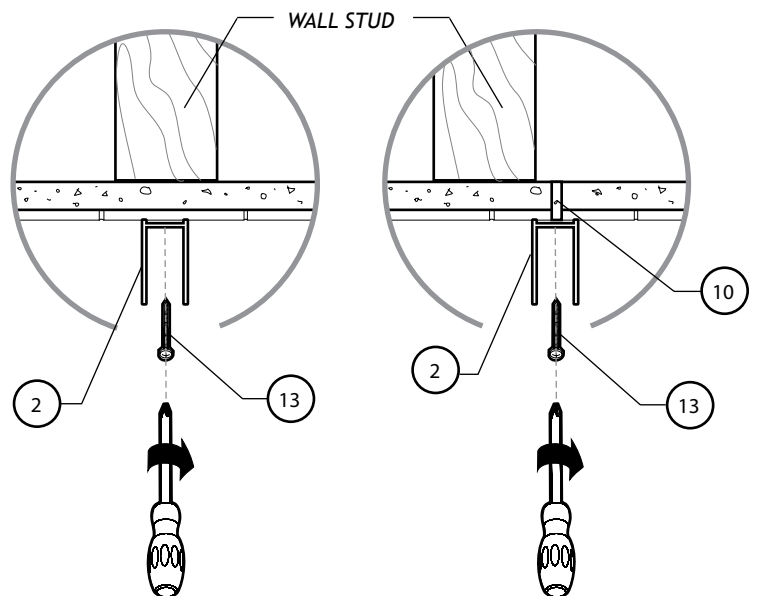
1C. (a) Should you find the wood studs directly behind the drilled hole location, skip this step. (b) Insert the wall plugs (#10) and put in each a drop of silicone.

1D. Secure the wall jamb using the 1 1/4" screws (#13).

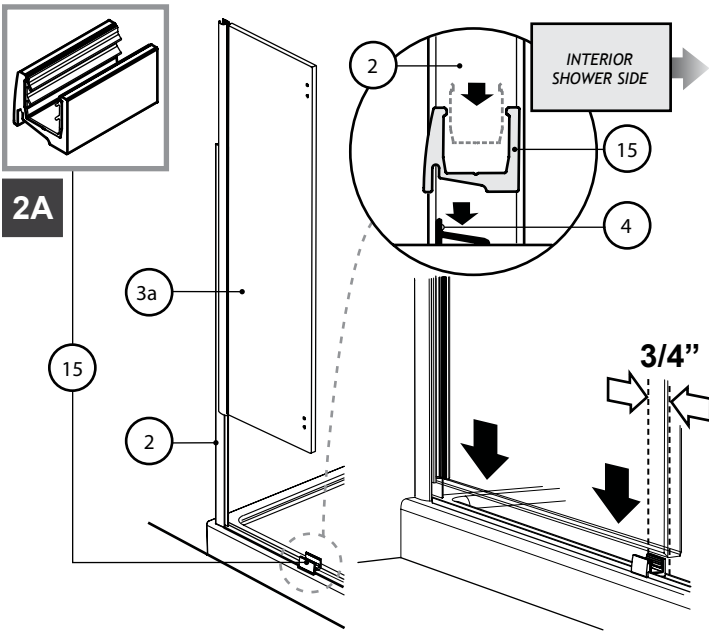


1C(a)  
TOP VIEW

1C(b)  
TOP VIEW



## 2 FASTEN THE BOTTOM GLASS CLIP.

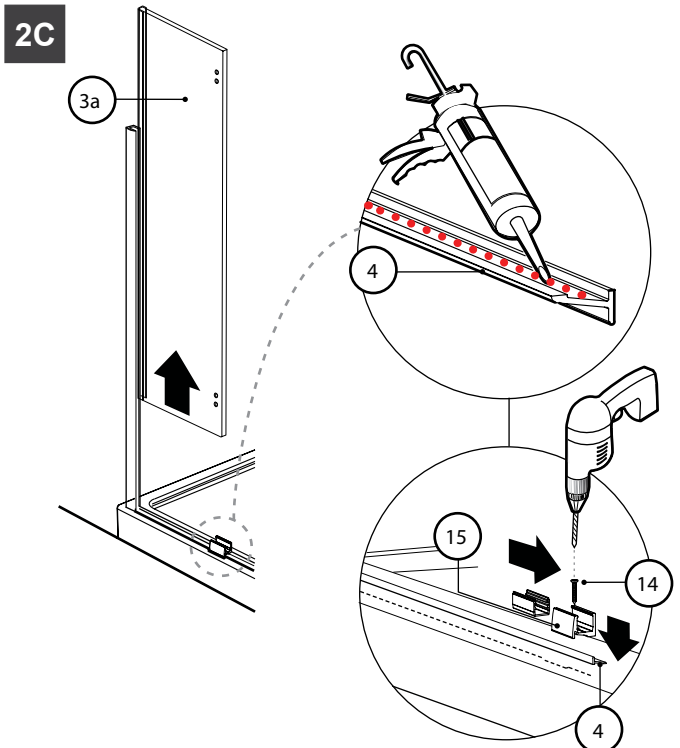
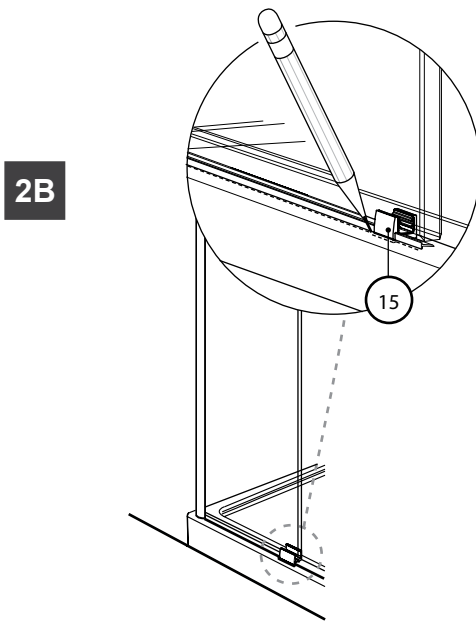


2A. Place the aluminum threshold (4) and bottom glass clip (15) on the shower threshold and align it to the wall jamb (2).

2B. Slide the expander (3b) attached to the side panel (3a) within the wall jamb (2). Ensure that the side panel inserts itself into the glass clip and that the dimension illustrated is respected.

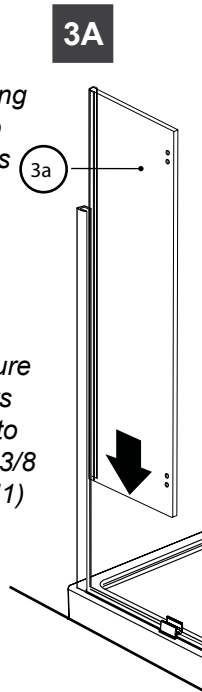
2C. Trace an outline of the aluminum threshold (4) as well as the bottom glass clip (15).

Remove the side panel (3a) and the expander (3b) from the wall jamb (2). Run a bead of silicone down the underside of the aluminium threshold (4). Reposition the aluminium threshold and bottom glass clip (15) where marked in the previous step. Secure these two with a #6 3/4 screw (14).

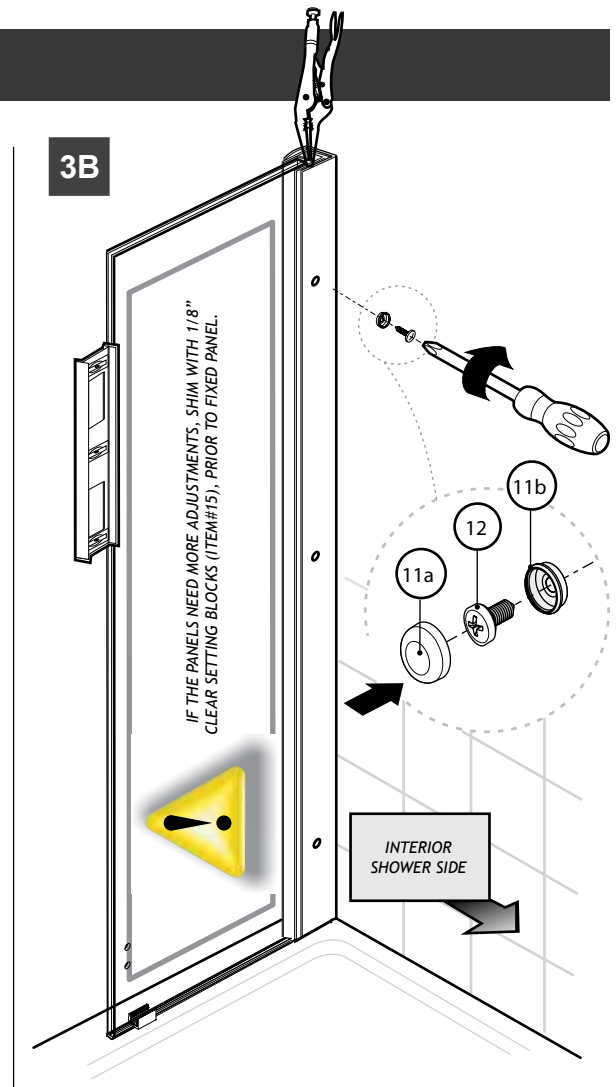


### 3 INSTALL THE SIDE PANEL.

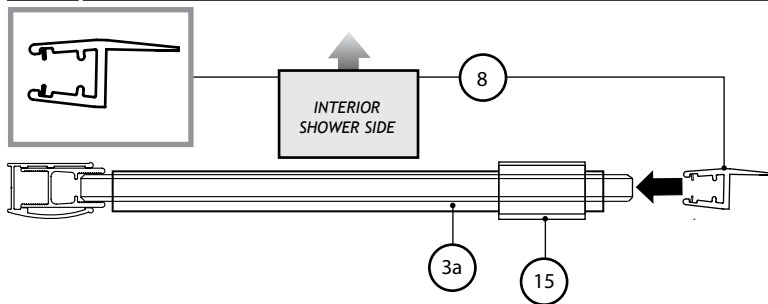
3A. Reposition the side panel (3a) in place, ensuring that the expander (3b) is properly inserted into the wall jamb (2) and that the side panel (3a) is inserted into the bottom glass clip (15).



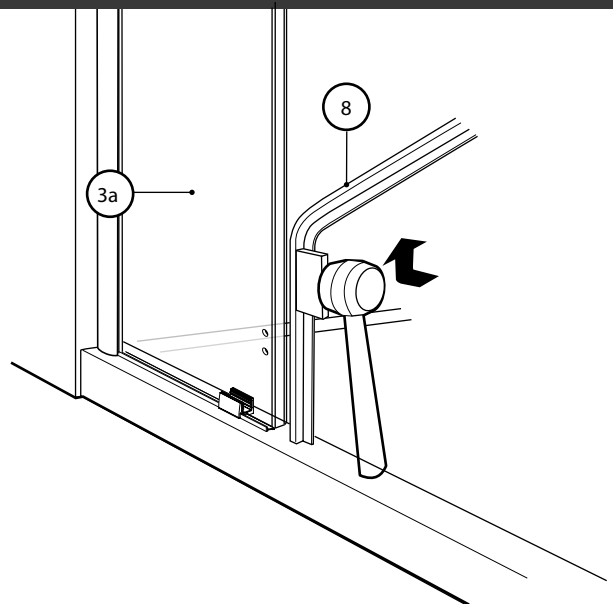
3B. Level the side panel and then temporarily secure the expander (3b) to the wall jamb (2) via pliers so as to ensure stay in that position. Proceed to securing the wall jamb to the expander via #8 3/8 self drilling screws (12). Employ screw caps (11) as shown.



### 4 INSTALL THE SIDE PANEL GASKET.



4A. Install the side panel gasket onto the edge of the fixed panel using a wooden block and mallet.





## 5 INSTALL THE PIVOT SUPPORT BAR.

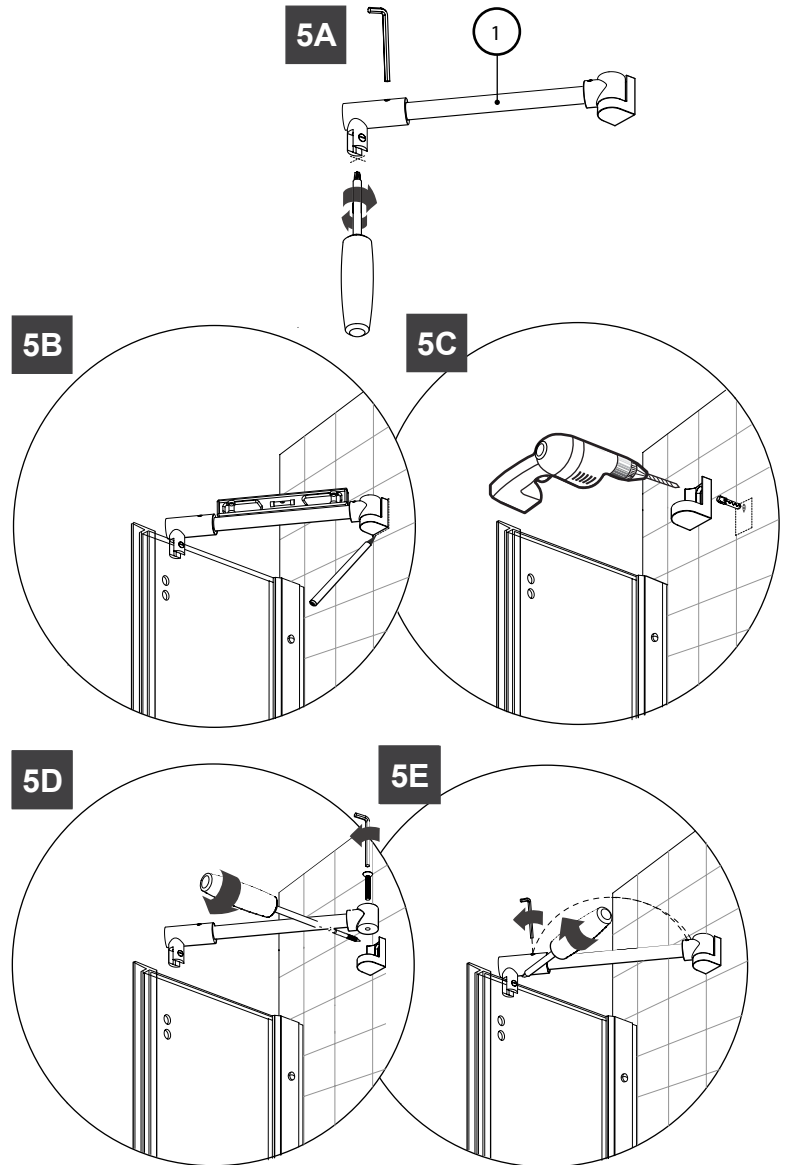
5A. Loosen the glass support. Align the slot to the fixed panel. The slotted screw head should be on the inside of the shower.

5B. Rest the support bar on the fixed panel inside the shower as shown. Level it and trace the outline of the wall bracket on the wall.

5C. Isolate the wall bracket and drill a hole, using a 1/4" drill bit (ceramic drill bit if necessary) through the wall. Locate the position of this hole by way of the wall bracket. Insert a wall plug.

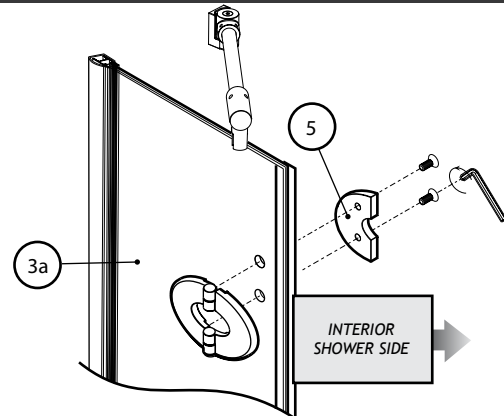
5D. Secure the wall bracket to the wall by way of the screw. Assemble the cylindrical joint to the wall bracket.

5E. Secure the glass fastener and wall bracket screws to complete the installation.



## 6 INSTALL DOOR PANEL

6A. Fasten one side of the hinges (#5) to the fixed panel. Do not tighten all the way for this step to allow other door adjustments.



**6** **INSTALL THE DOOR PANEL.**



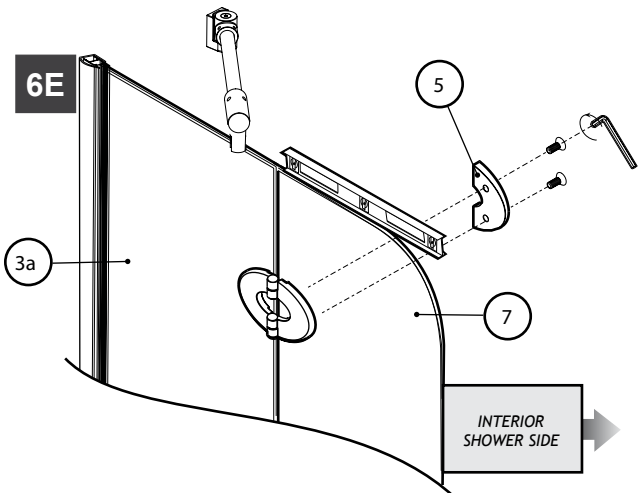
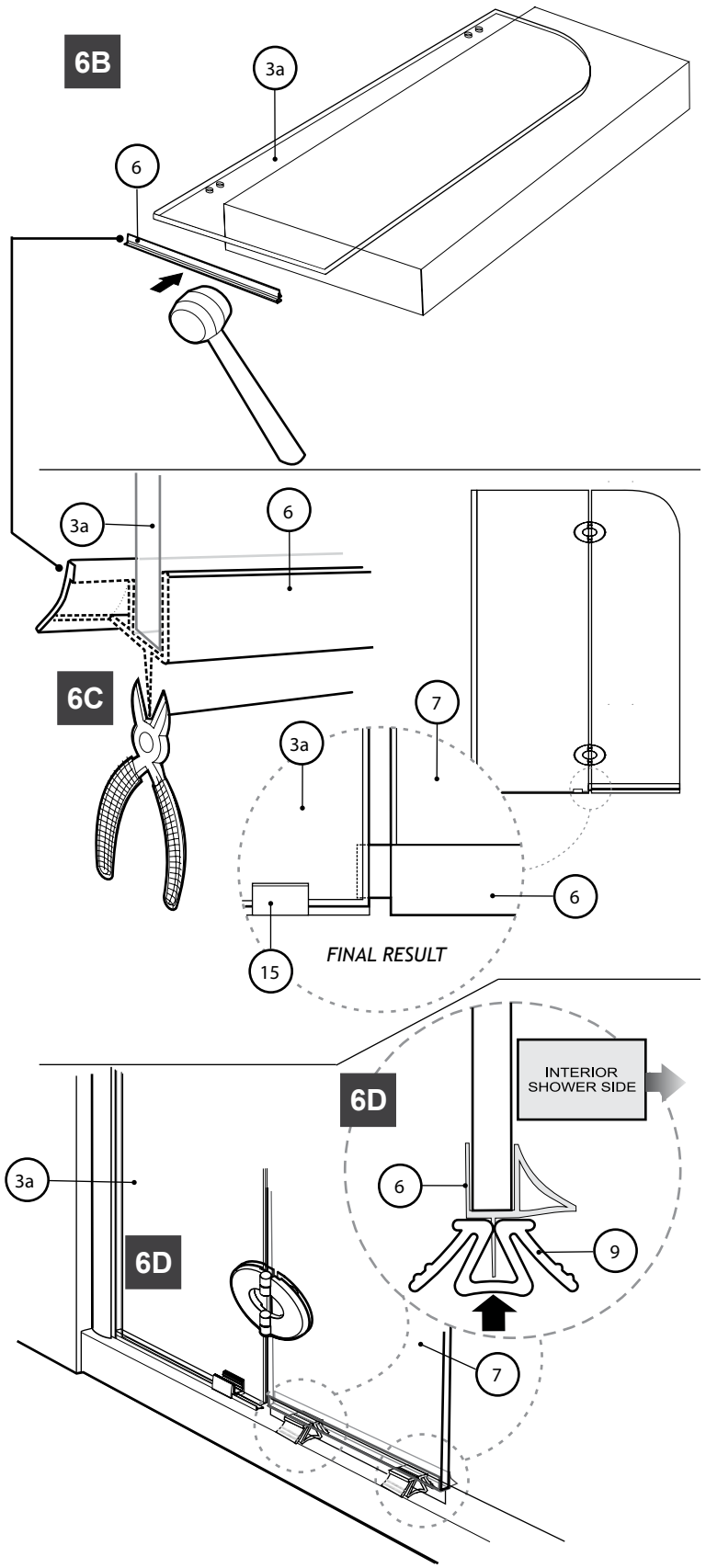
IT IS BEST TO HAVE 2 PEOPLE WORKING ON THIS STEP.

6B. Rest the door panel on a flat surface. With the mallet, insert the bottom door gasket (6) on the bottom edge of the door. Make sure the lip faces the inside of the show

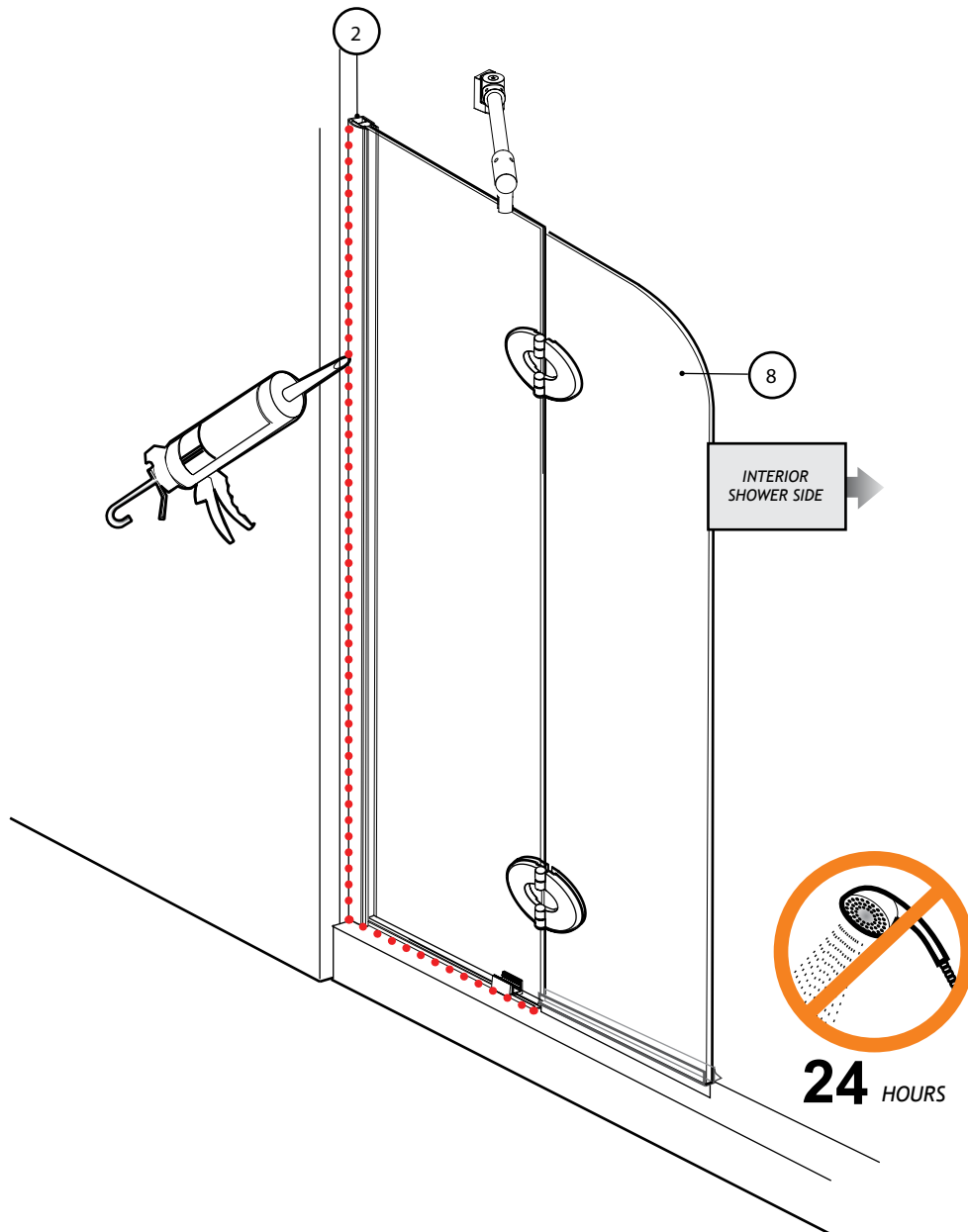
6C. Cut the bottom door gasket (6) as illustrated. The lip should be about 3/4" longer than the rest.

6D. Install the 2 leveling blocks (9) onto the bottom lip of the bottom door gasket (6) as shown. Place the door panel (7) vertically next to the side panel(3a). The holes for the hinges should be aligned.

6E. Fasten the second part of each hinge (#5). The door panel must be leveled before tightening the hinges completely. Remove the leveling blocks.



**7** SILICONE SEAL THE EXTERIOR.



*Silicone seal the exterior of the shower along the wall jamb (2) and the aluminium threshold (4).*