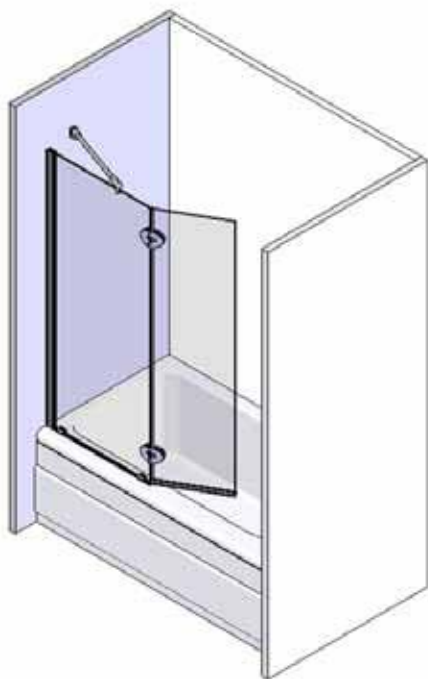
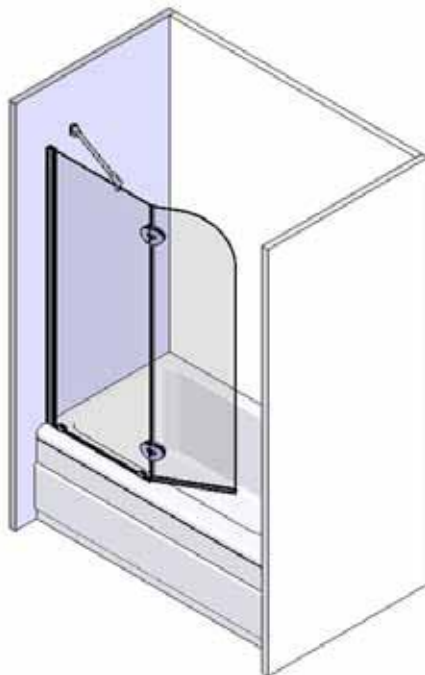


L-RTSX24 and L-STSX24
INSTRUCTION MANUAL

ALUMAX
Lani Collection



- Custom Order*

FINISH

- 11- Bright Chrome*
- 12- Bright Brass*
- 22- Polished Nickel*
- 25- Brushed Nickel*
- 29- Oil Rubbed Bronze*

GLASS

- 40- Clear*
- 80- Mist*

*Please keep this manual and product code number for future reference
and to order replacement parts if necessary.*

● **Table of Contents**

MODEL NUMBER..... 2
 GENERAL INSTRUCTIONS 3
 INSTALLATION OVER CERAMIC TILES 3
 NOTICE..... 3
 CARE FOR YOUR FRAMELESS SHOWER DOOR 3
 PARTS LISTING..... 4
 PROVIDED HARDWARE..... 5
 TOOLS AND MATERIALS REQUIRED 5
 1. MOUNT THE WALL JAMB. 6
 2. FASTEN THE THRESHOLD. 7
 3. INSTALL THE FIXED PANEL..... 8
 4. INSERT THE FIXED PANEL GASKET. 8
 5. INSTALL THE HINGES. 9
 6. FASTEN THE SUPPORT BAR. 9
 6. FASTEN THE SUPPORT BAR. (CONTINUED)..... 10
 7. INSTALL THE DOOR PANEL..... 11
 8. SILICONE SEAL THE EXTERIOR. 12

● **General Instructions**

- *Read this manual carefully and completely before proceeding.*
- *It is recommended that you wear safety glasses at all times during the installation.*

● **Installation over Ceramic Tiles**

- *Silicone should be used to seal the gap where the ceramic tiles meet the fixed panel.*
- *If your shower door is to be installed over ceramic tiles, the tiles should lay completely under the wall jamb.*

● **Notice**

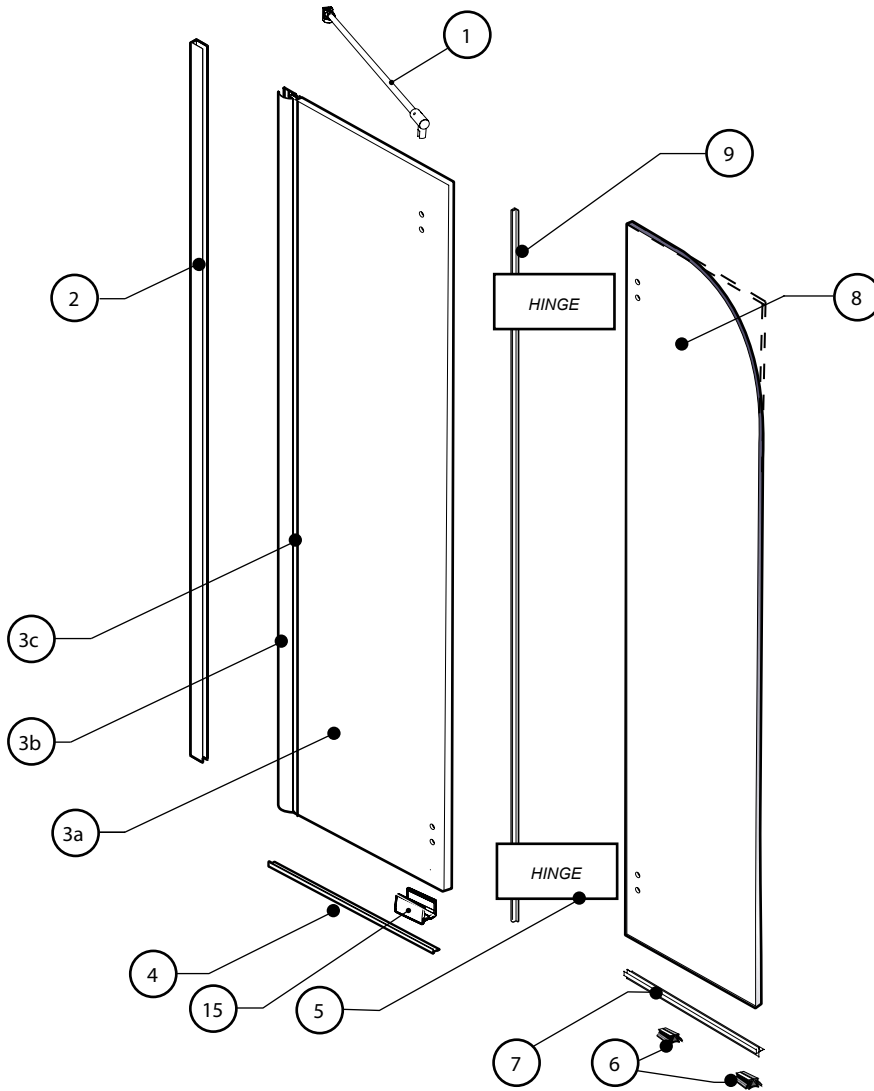
- *Caulking: no sealant is required inside the shower.*
- *All models are equipped with transparent sealing gaskets.*

● **Care for your Frameless Shower Door**

- *Never use scouring powder pads or sharp instruments on metal pieces or glass panels.
An occasional wiping down with a mild soap diluted in water is all that is needed to keep the panels and aluminum parts looking new.*
- *We recommend wiping the glass panels with a squeegee after each use.*

Product specifications are subject to change without notice.

PARTS LISTING



ITEM	PARTS	QTY
1	SUPPORT BAR	1
2	WALL JAMB	1
3a	SIDE PANEL	1
3b	EXPANDER	1
3c	GASKET	1
4	ALUMINUM THRESHOLD	1
5	HINGE	2
6	SPACING BLOCKS	2
7	BOTTOM DOOR GASKET	1
8	DOOR PANEL	1
9	SIDE PANEL GASKET	1

PROVIDED HARDWARE



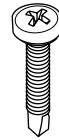
10



11



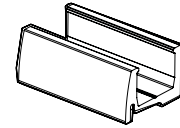
12



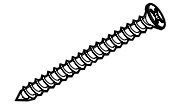
13



14



15



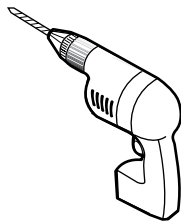
16

ITEM	HARDWARE	QTY
10	WALL PLUG	4
11	SCREW CAP	4
12	SELF DRILLING SCREW 3/8"	3
13	SELF-DRILLING SCREW 1 1/4"	3
14	FLAT HEAD SCREW 3/4"	1
15	CLIP	1
16	FLAT HEAD SCREW 2 1/2"	1

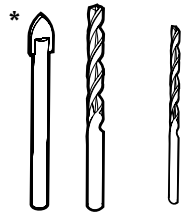
TOOLS AND MATERIALS REQUIRED



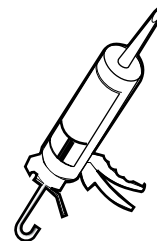
SCREWDRIVERS



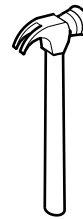
DRILL



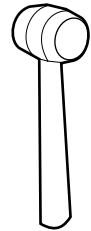
1/4" & 1/8" DRILL BITS



SILICONE



HAMMER

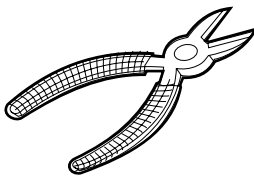


MALLET

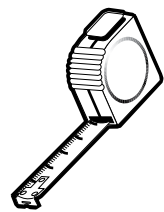
**If the shower panels are to be assembled on ceramic tiles, use a 1/4" drill bit for ceramic tiles.*



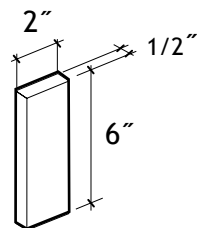
PENCIL



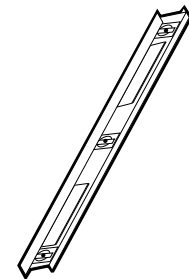
CUTTING PLIER



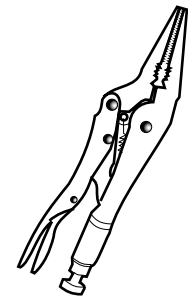
TAPE MEASURE



WOODEN BLOCK

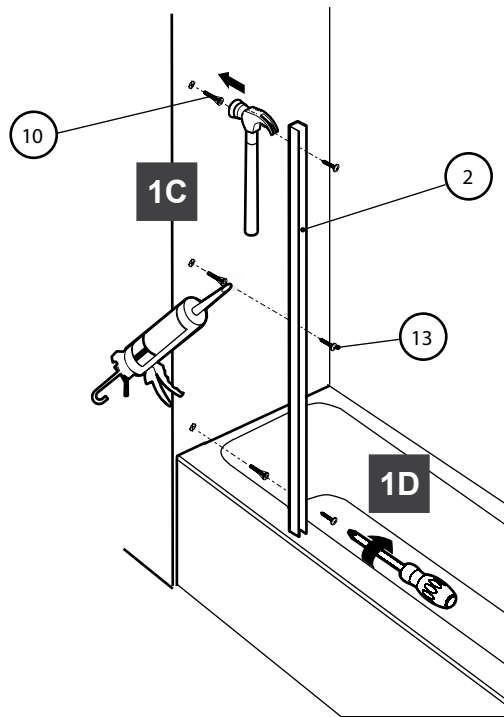
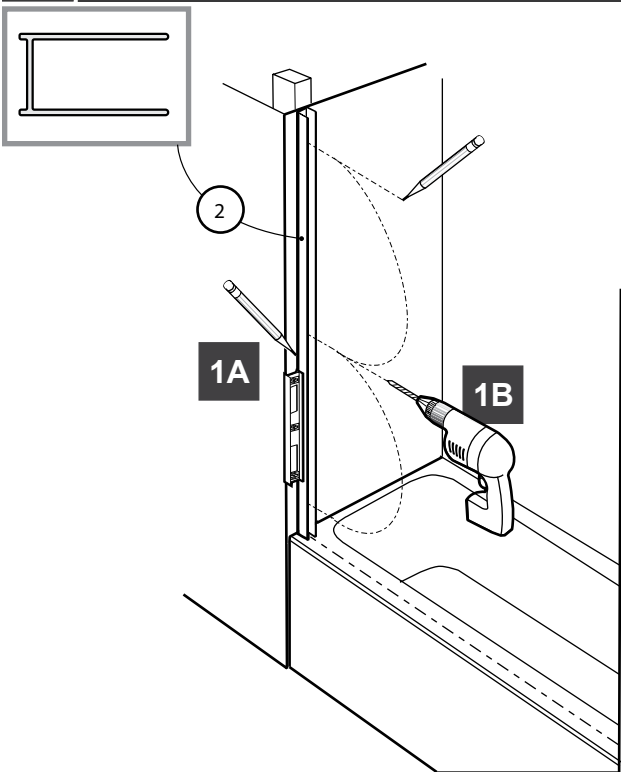


LEVEL



LONG NOSE LOCKING PLIER

1 MOUNT THE WALL JAMB.



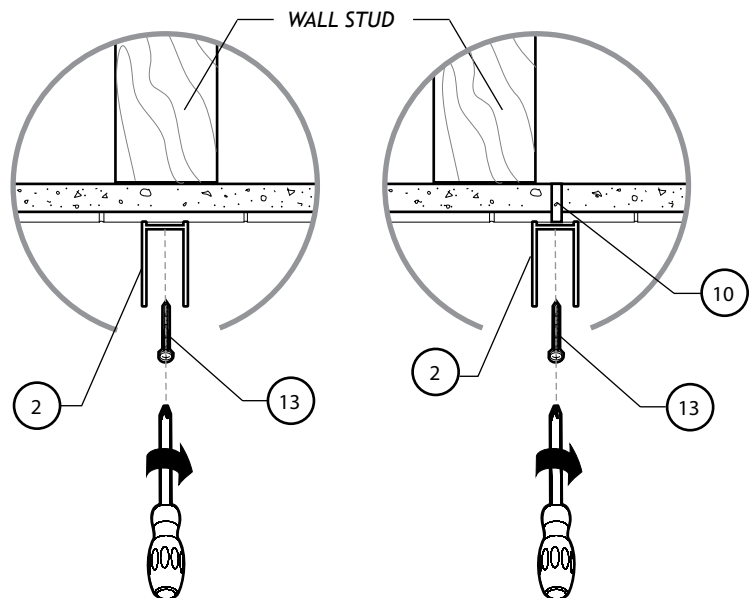
1A. Place the wall jamb (#2) on the center of the tub edge and align it using a level. Trace the outer edge of the wall jamb and the holes onto the wall. Remove the wall jamb.

1B. With a 1/4" drill bit, drill 3 holes into the wall using the marks as a guide.

1C. (a) Should you find the wood studs directly behind the drilled hole location, skip this step. (b) Insert the wall plugs (#10) and put in each a drop of silicone.

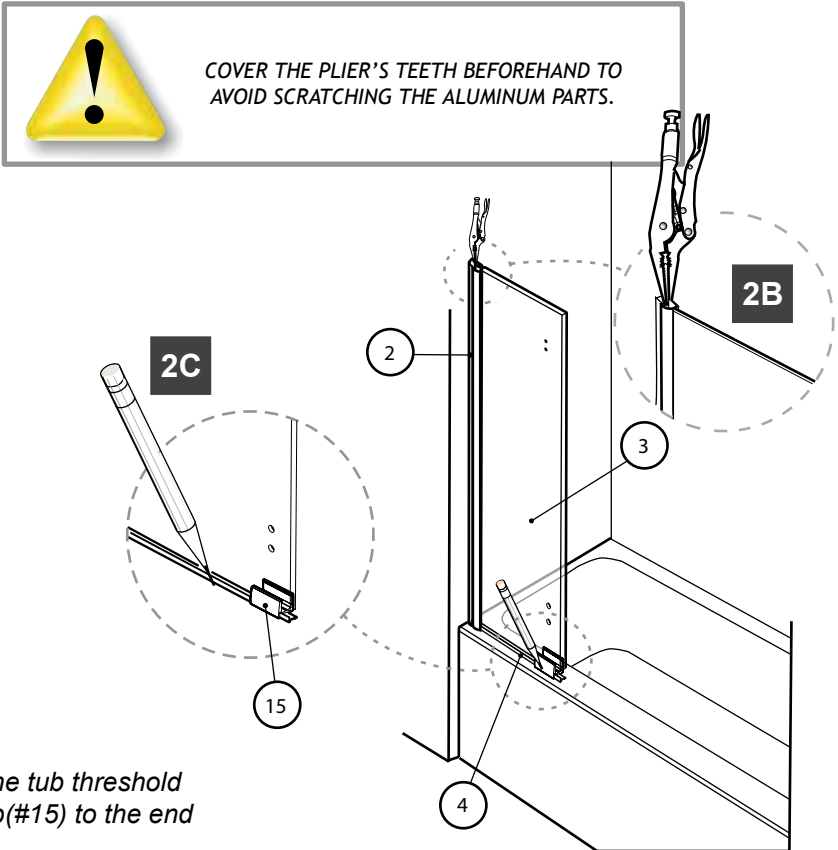
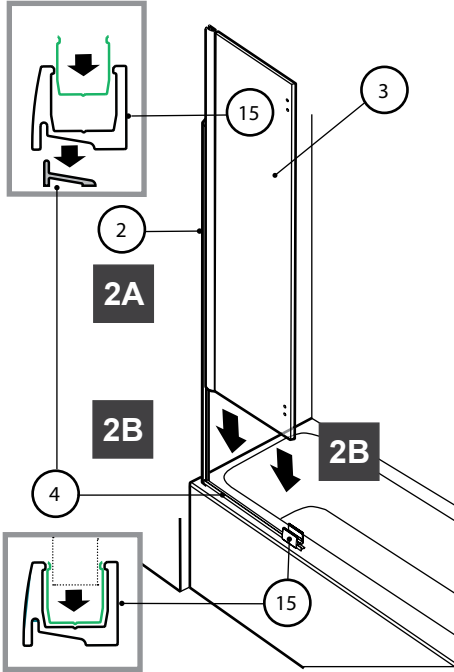
1C(a)
TOP VIEW

1C(b)
TOP VIEW



1D. Secure the wall jamb using the 1 1/4" screws (#13).

2 FASTEN THE THRESHOLD.



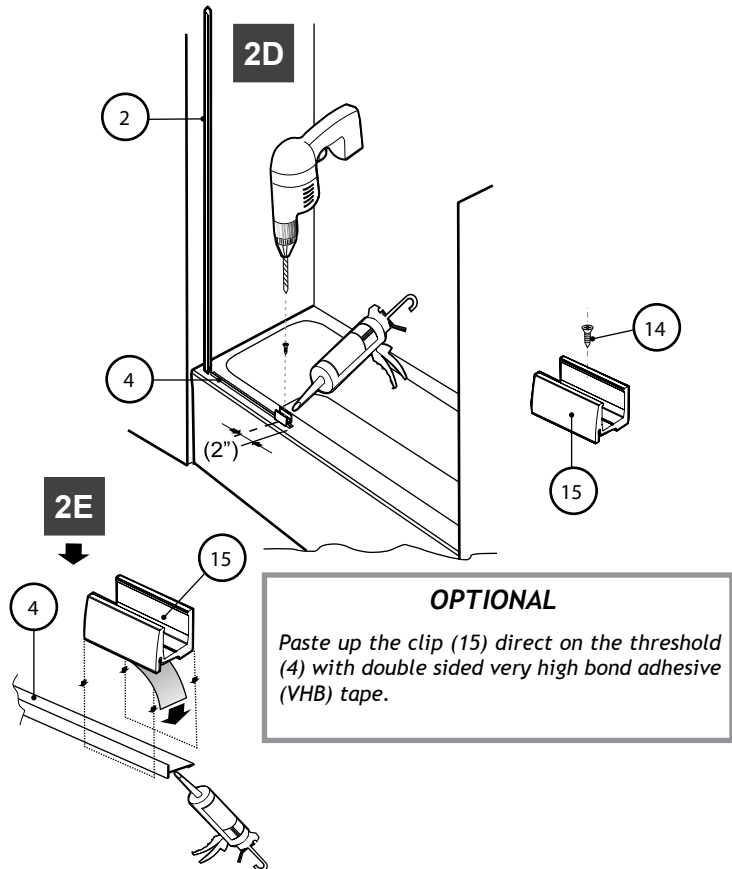
COVER THE PLIER'S TEETH BEFOREHAND TO AVOID SCRATCHING THE ALUMINUM PARTS.

2A. Place the aluminum threshold (#4) on the tub threshold and align it to the wall jamb, add the clip(#15) to the end of the threshold.

2B. Slide the fixed panel over the wall jamb (#2) and insert it into the aluminum clip. Secure the fixed panel to the wall jamb using a locking plier. ⚠️

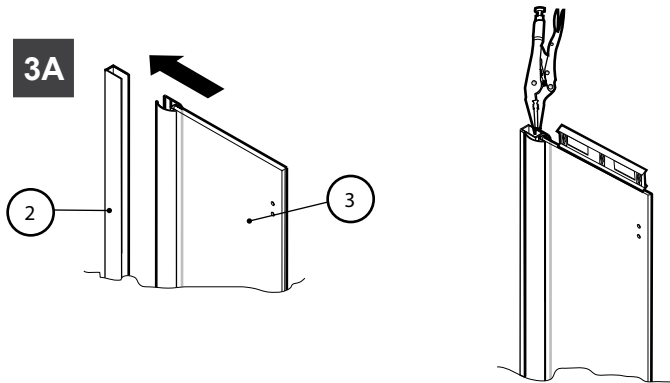
2C. Trace the outer edges of the aluminum threshold and the clip(front and side) on the tub threshold. Remove the fixed panel.

2D. Realign the aluminum threshold on the threshold and drill a hole using a 1/8" drill bit at about 2" from the edge. Put a drop of silicone in the hole and fasten the aluminum "u" channel with a 3/4" long screw (#14).



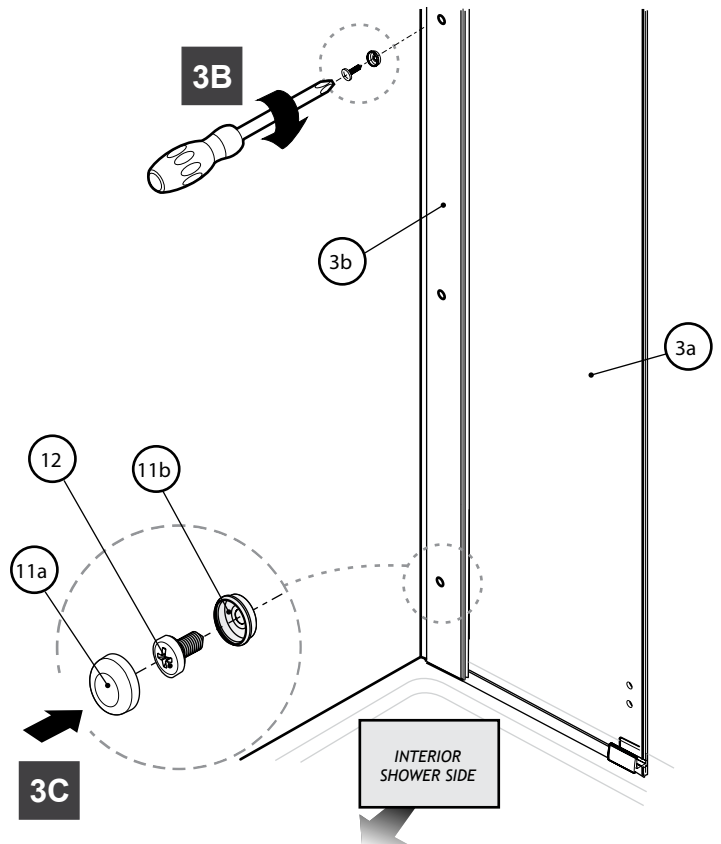
OPTIONAL
Paste up the clip (15) direct on the threshold (4) with double sided very high bond adhesive (VHB) tape.

3 INSTALL THE FIXED PANEL.



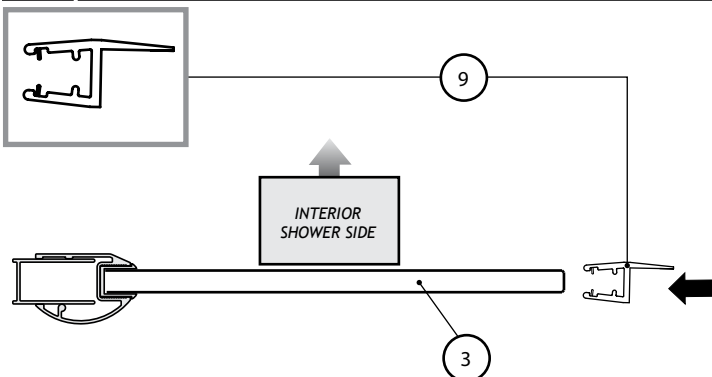
3A. Reposition the fixed panel on the wall jamb and in the aluminum "u" channel. Secure it with the plier.

3B. Combine the 3 3/8" screws (#12) with the inner screw caps (#11b). Fasten the fixed panel.

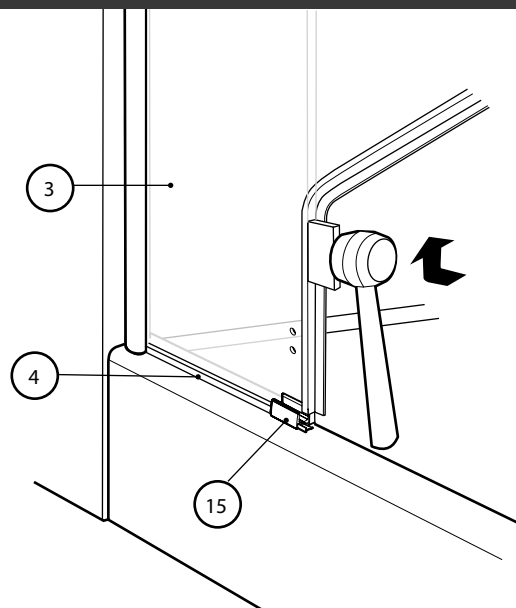


3C. Snap the screw caps (#11a) over the screws.

4 INSERT THE FIXED PANEL GASKET.

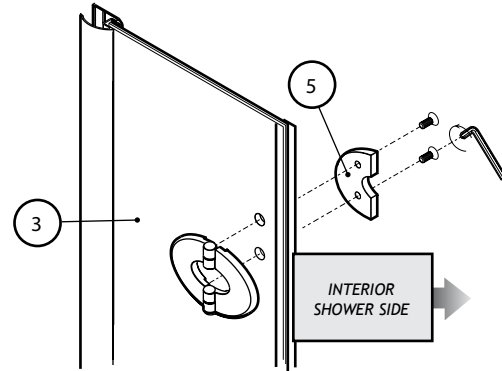


4A. Align the fixed panel gasket to the top of the aluminum threshold (#4). Insert it with a 2" x 6" x 1/2" block and a mallet. Trim the excess using the cutting plier.



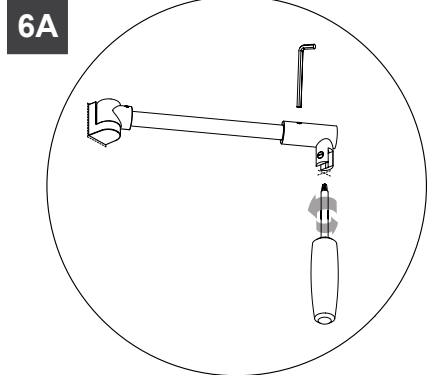
5 INSTALL THE HINGES.

5A. Fasten one side of the hinges (#5) to the fixed panel. Do not tighten all the way for this step to allow other door adjustments.

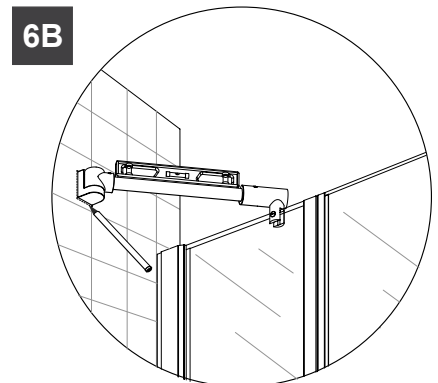


6 FASTEN THE SUPPORT BAR.

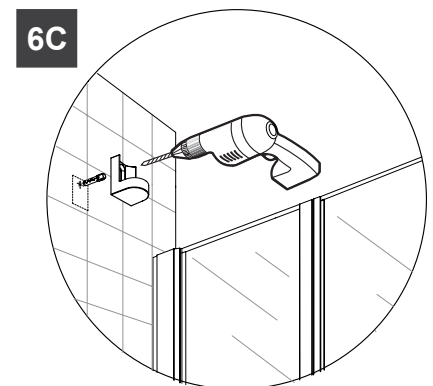
6A. Loosen the glass clip. Align the slot to the fixed panel. The slotted screw head should be on the inside of the shower.



6B. Rest the support bar on the fixed panel inside the tub. Level it and trace an arc on the wall.

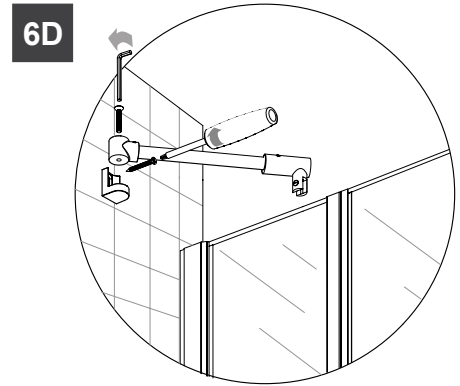


6C. Isolate the wall bracket and drill a hole, using a 1/4" drill bit through the wall. Locate the position of this hole by way of the wall bracket. Insert a wall plug.

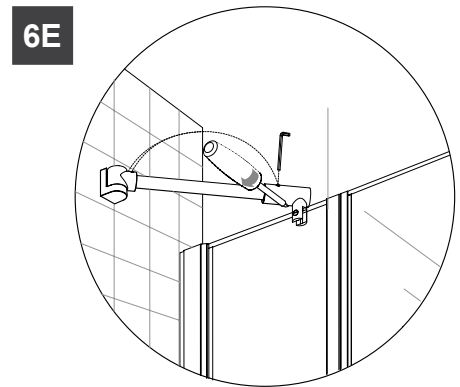


6 FASTEN THE SUPPORT BAR. (CONTINUED)

6D. Secure the wall bracket to the wall by way of the screw. Assemble the cylindrical joint to the wall bracket.



6E. Secure the glass fastener and wall bracket screws to complete the installation process.

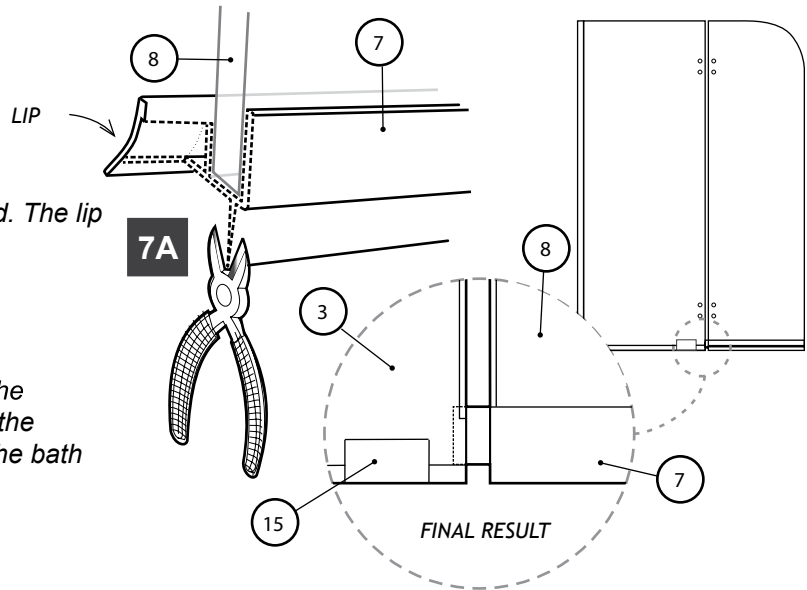


7 INSTALL THE DOOR PANEL.

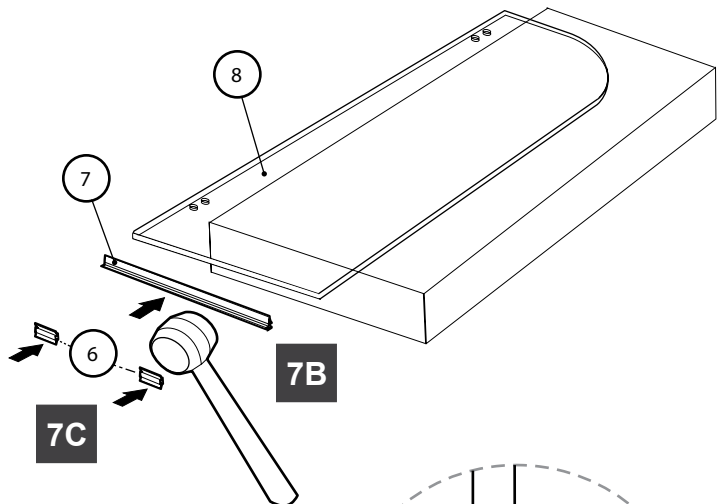


IT IS BEST TO HAVE 2 PEOPLE WORKING ON THIS STEP.

7A. Cut the bottom door gasket (#7) as illustrated. The lip should be about 3/4" longer than the rest.

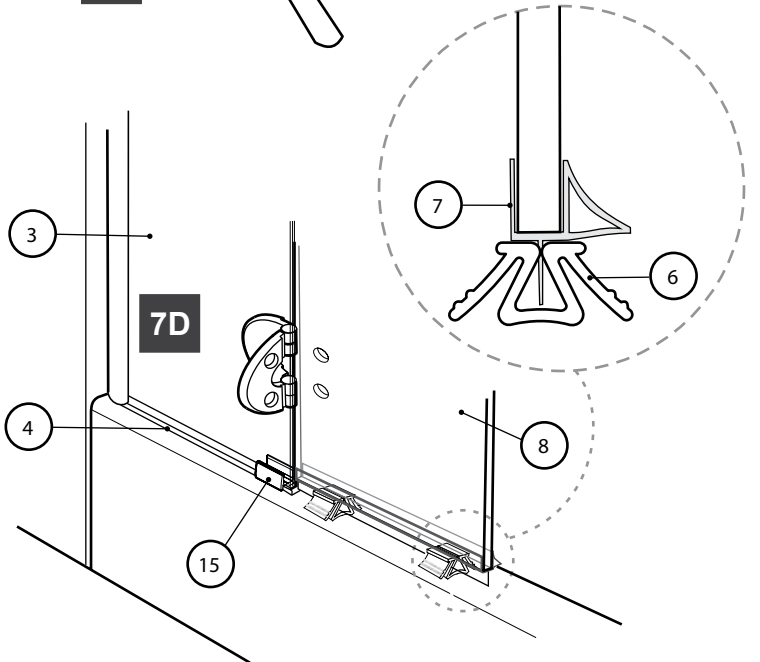


7B. Rest the door panel on a flat surface. With the mallet, insert the bottom door gasket (#7) at the bottom of the door. Make sure the lip faces the bath side.

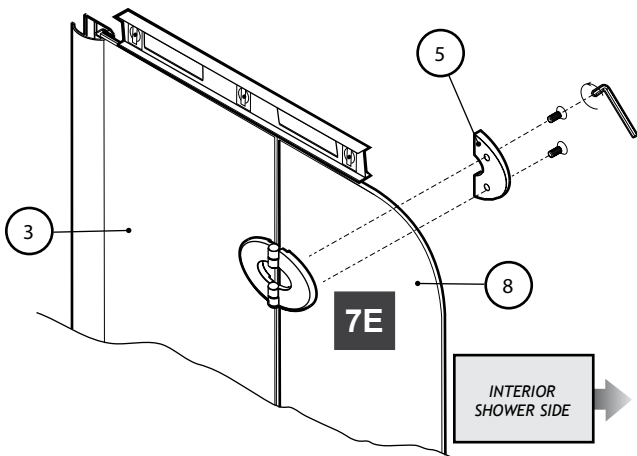


7C. Install the 2 leveling blocks (#6) onto the bottom lip of the gasket.

7D. Place the door panel vertically next to the fixed panel (#3). The holes for the hinges should be aligned.



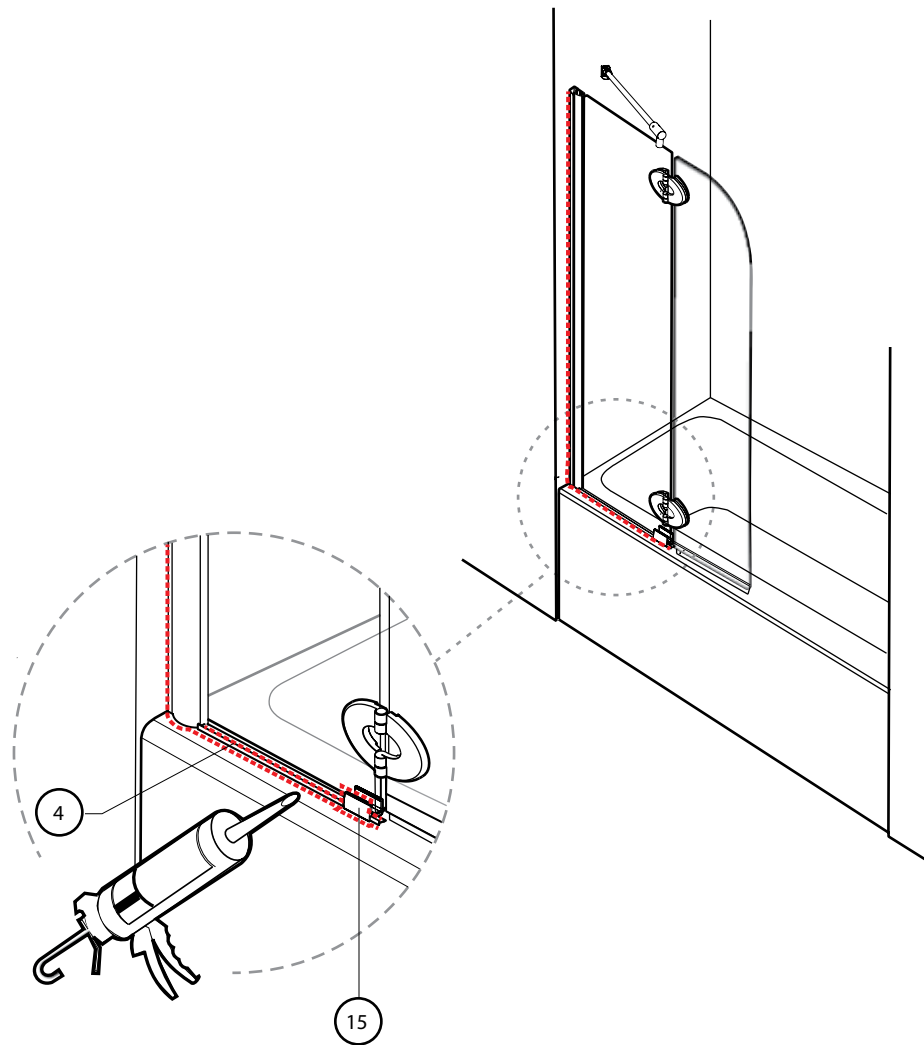
7E. Fasten the second part of each hinge (#5). The door panel must be leveled before tightening the hinges completely. Remove the leveling blocks.



8 SILICONE SEAL THE EXTERIOR.



24 HOURS



8A. Silicone seal the exterior of the shower along the wall and the aluminum threshold (#4) and around the clip(#15).