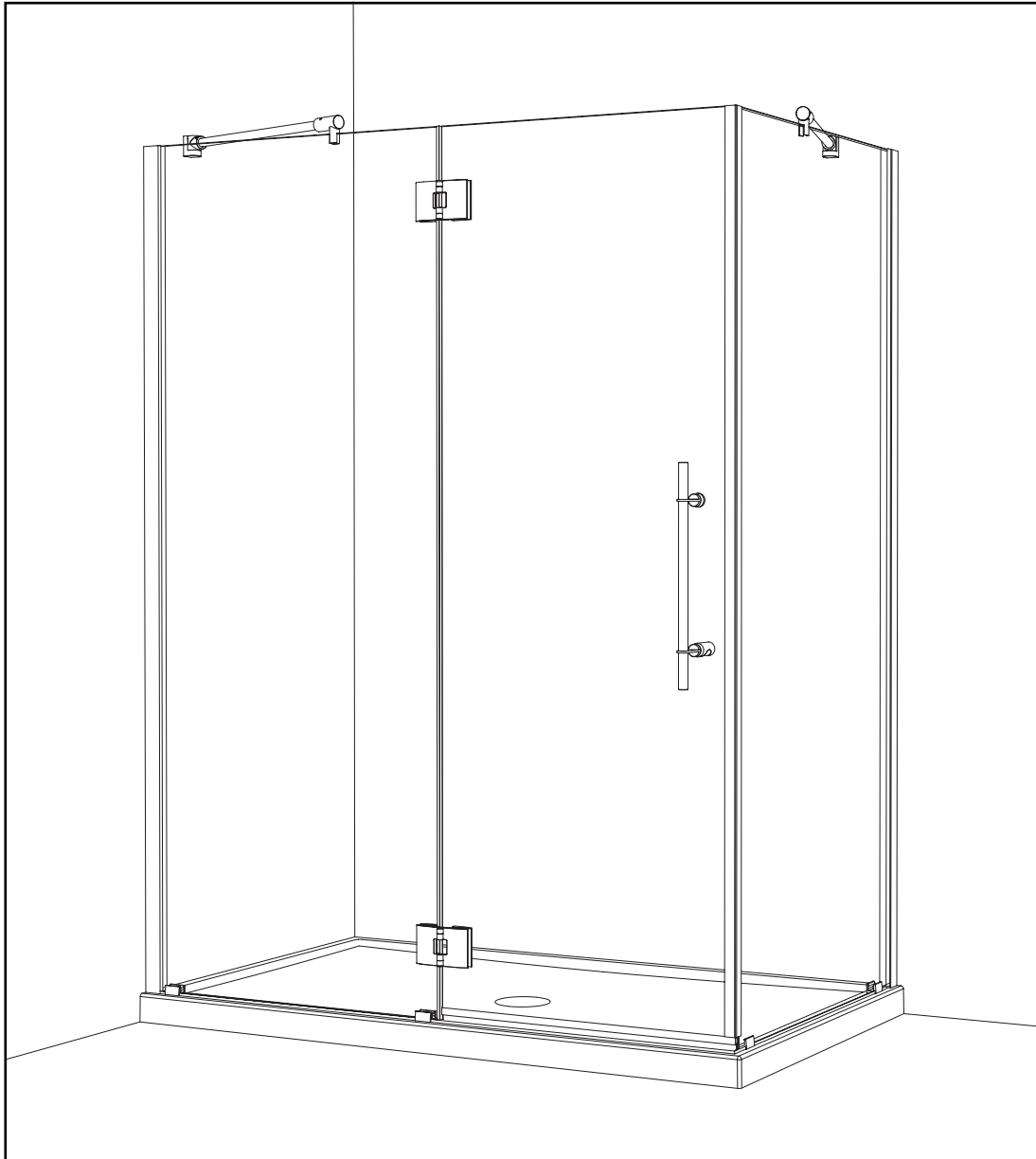
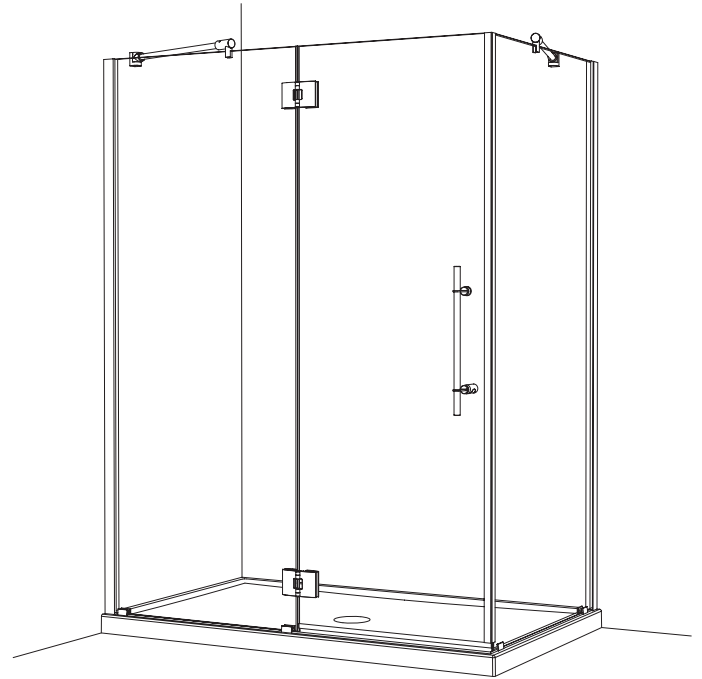
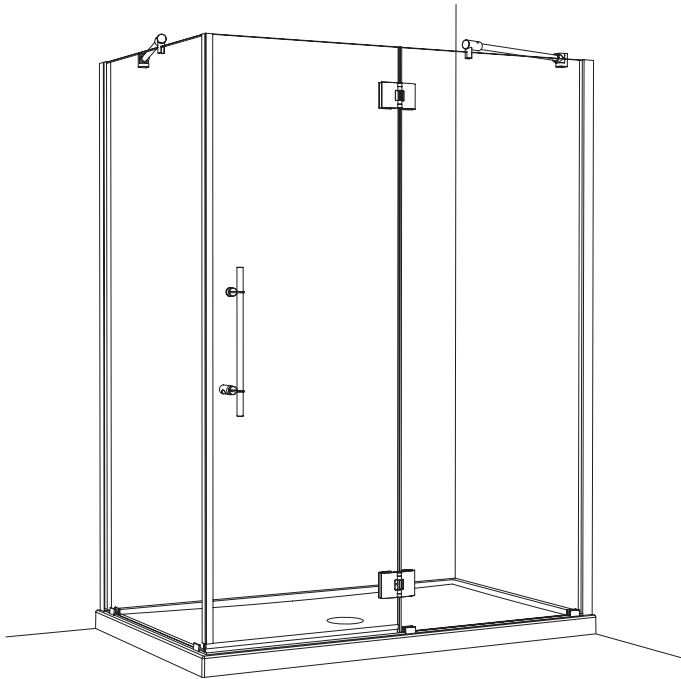


**M-PD93X**  
INSTRUCTION MANUAL

ALUMAX  
*Moana Collection*

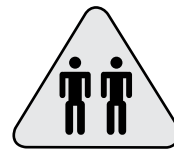


06.10



Dimensions from wall to center of threshold

MODEL	FRONT (DIM A)		SIDE (DIM B)	
	MIN	MAX	MIN	MAX
4836	45 7/8"	46 3/8"	33 7/8"	34 3/8"
6036	57 7/8"	58 3/8"	33 7/8"	34 3/8"
4832	45 7/8"	46 3/8"	29 7/8"	30 3/8"
4848	45 7/8"	46 3/8"	45 7/8"	46 3/8"
6032	57 7/8"	58 3/8"	29 7/8"	30 3/8"
6048	57 7/8"	58 3/8"	45 7/8"	46 3/8"



**2 PEOPLE REQUIRED**

*Please keep this manual and product code number for future reference and replacement parts ordering if necessary.*

#### **GENERAL INSTRUCTIONS**

- *Read this manual carefully and completely before proceeding.*
- *It is recommended that you wear safety glasses at all times during the installation.*

#### **INSTALLATION OVER CERAMIC TILES**

- *Silicone should be used to seal the gap where the ceramic tiles meet the fixed panel.*
- *If your shower door is to be installed over ceramic tiles, the tiles should lay completely under the wall jamb.*

#### **NOTICE**

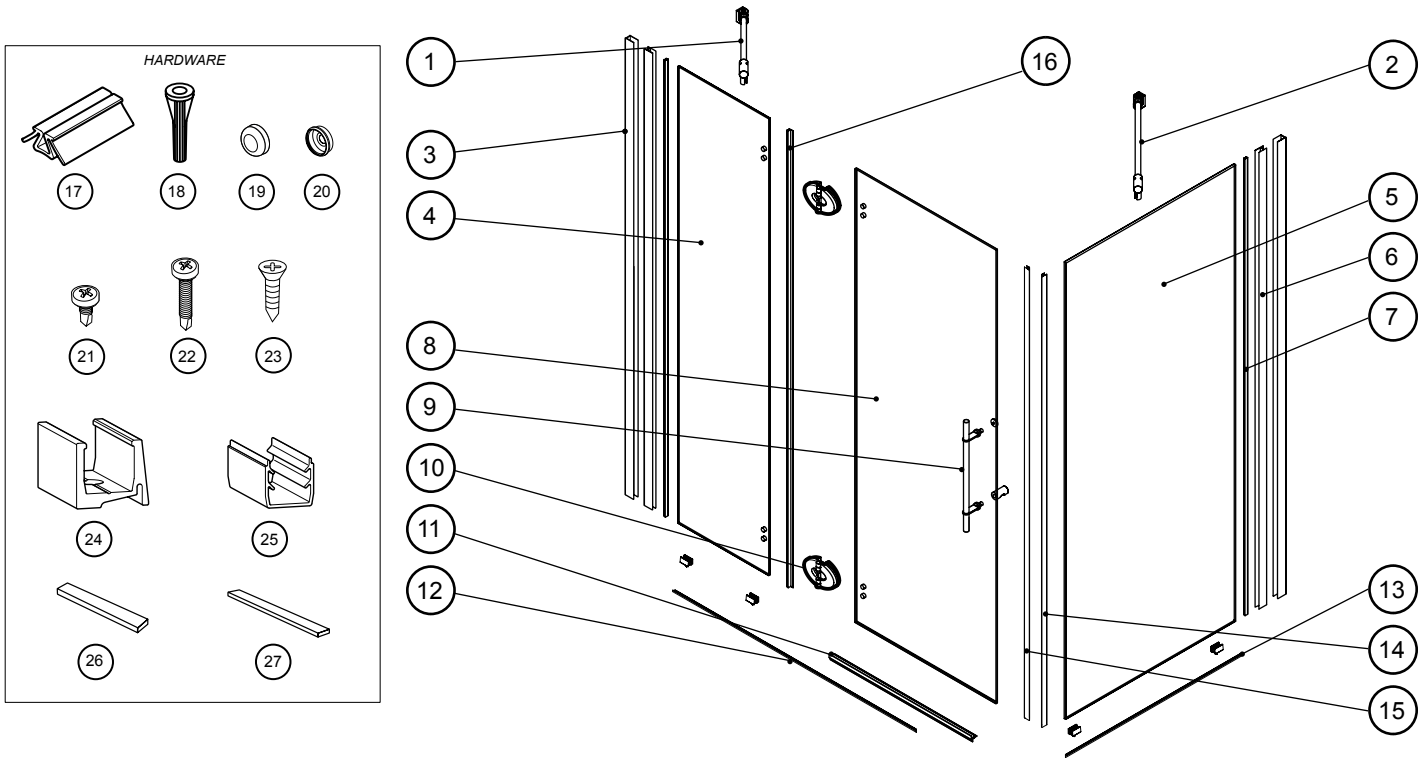
- *Caulking: no sealant is required inside the shower. Unless otherwise stated.*
- *Some models are equipped with clear sealing gaskets.*

#### **CARE FOR YOUR SHOWER DOOR**

- *Never use scouring powder pads or sharp instruments on metal pieces or glass panels. An occasional wiping down with a mild soap diluted in water is all that is needed to keep the panels and aluminum parts looking new.*
- *We recommend wiping the glass panels with a squeegee after each use.*

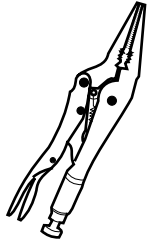
*Product specifications are subject to change without notice.*

PARTS LISTING



ITEM	PARTS	QTY
1	SUPPORT BAR	1
2	SUPPORT BAR	1
3	WALL JAMB (REGULAR PUNCH)	2
4	SIDE PANEL	1
5	RETURN PANEL	1
6	UNIVERSAL EXPANDER	2
7	GASKET	2
8	DOOR PANEL	1
9	STRAIGHT HANDLE BAR	1
10	HINGES	2
11	BOTTOM DOOR GASKET	1
12	THRESHOLD = (FINISHED WALL OPENING)	1
13	THRESHOLD = (FINISHED WALL OPENING)	1
14	MAGNETIC RETURN PANEL GASKET	1
15	MAGNETIC DOOR GASKET	1
16	SIDE PANEL GASKET	1
ITEM	HARDWARE	QTY
17	SPACING BLOCKS	2
18	WALL PLUG	7
19	SCREW CAP	7
20	BACK SCREW CAP	7
21	SELF DRILLING SCREW# 8- 3/8"	6
22	SELF-DRILLING SCREW # 8- 1-1/4"	6
23	FLAT HEAD SCREW # 6 - 1"	4
24	BOTTOM GLASS CLIP	4
25	PVC GASKET	4
26	CLEAR SETTING BLOCK	8
27	CLEAR SETTING BLOCK	8

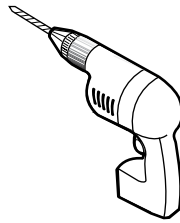
**TOOLS AND MATERIAL REQUIRED**



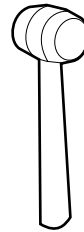
LONG NOSE LOCKING PLIER (X2)



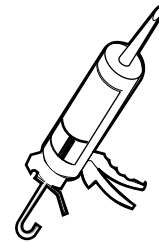
SCREWDRIVERS



DRILL



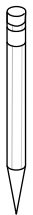
MALLET



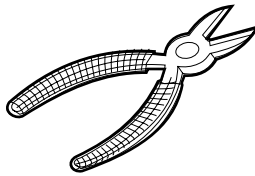
SILICONE



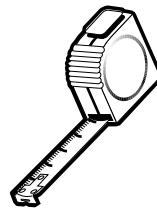
BLOCK



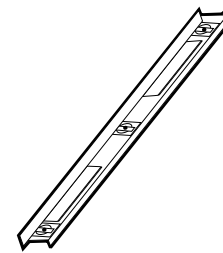
PENCIL



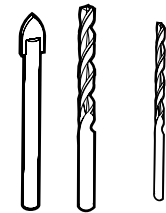
CUTTING PLIER



TAPE MEASURE



LEVEL



\* 1/4" & 1/8" DRILL BITS

\* To install the shower door on ceramic tiles, use a 1/4" drill bit for ceramic tiles

**INSTALLATION OF COMPONENTS**

STEP 1

• **Wall Jamb**  
see page 28

STEP 4

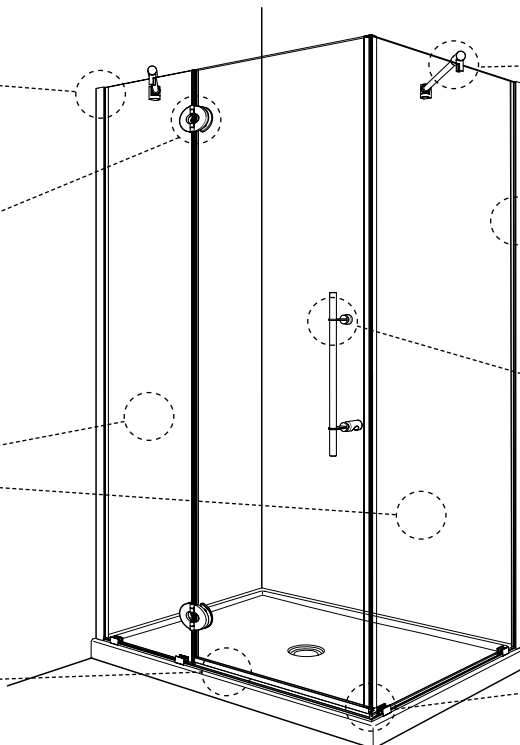
• **Door panel & hinges**  
see page 31

STEP 3

• **Fix & return panel**  
see page 30

STEP 2

• **Threshold**  
see page 29



STEP 7

• **Support bar**  
see page 34

STEP 5

• **Expander**  
see page 32

STEP 6

• **Handle**  
see page 33

STEP 8

• **Sealing**  
see page 35

1

WALL JAMB INSTALLATION

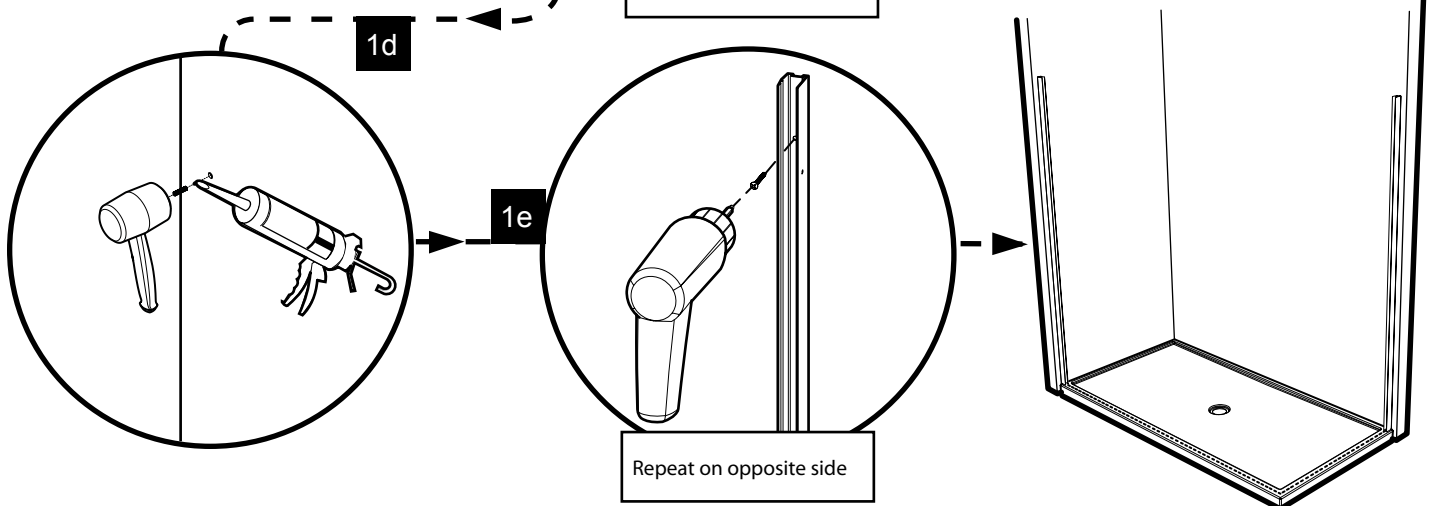
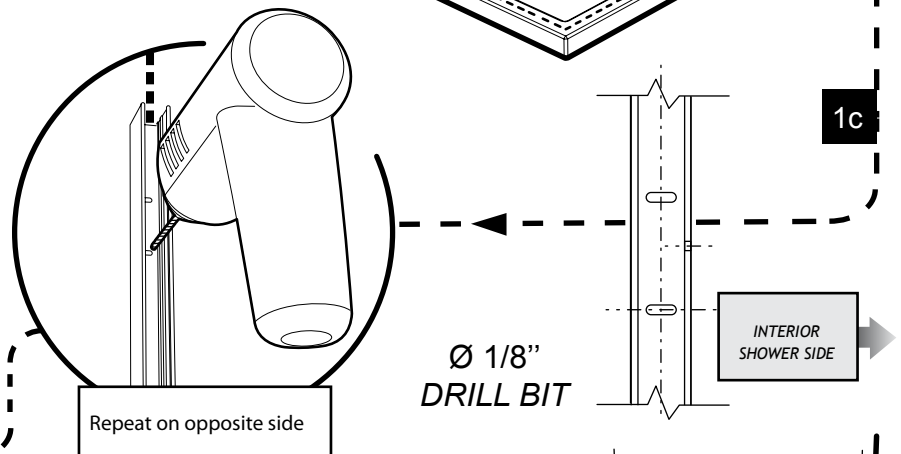
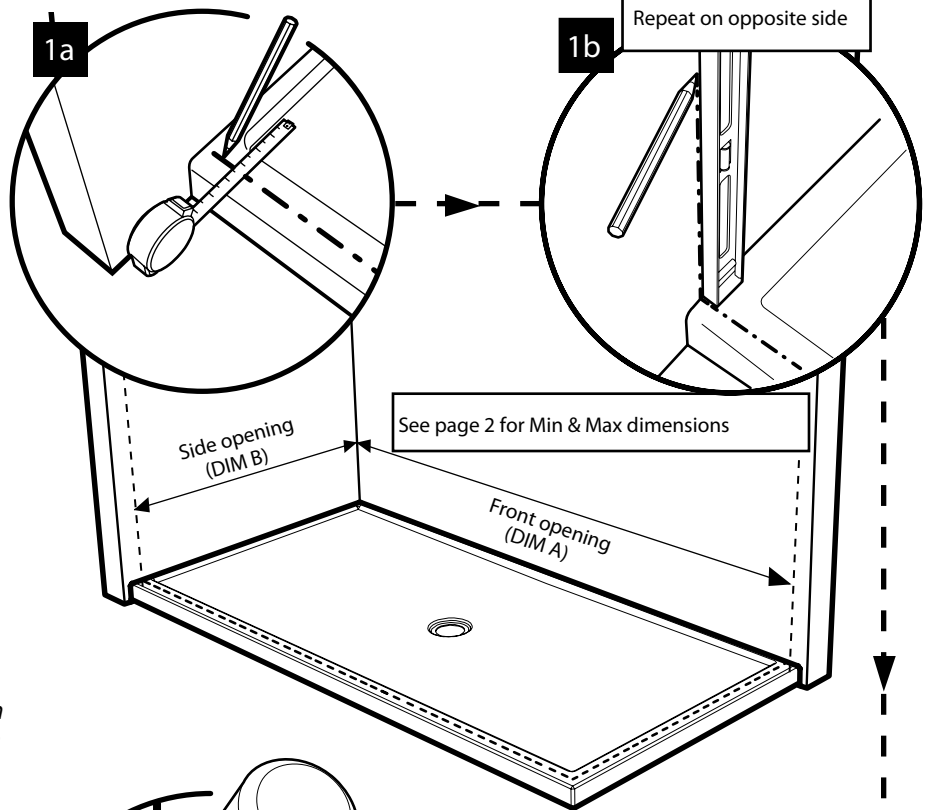
1a. Determine dimensions A & B on the threshold of the base. (Refer to chart on page 2 for the recommended minimum & maximum dimensions)

1b. Run a second line up the wall using a level.

1c. Center the opening of the wall jamb on the line marked previously. Drill holes with a  $\text{Ø}1/8''$  drill bit by using the wall jamb holes as reference.

1d. Insert one drop of silicone in each hole bored in the wall before inserting there wall plug on both side.

1e. Screw the two wall jambs in the wall plugs already installed in the wall by using screws  $1\frac{3}{8}''$  (3). Ensure verticality with the level.



2

THRESHOLD INSTALLATION

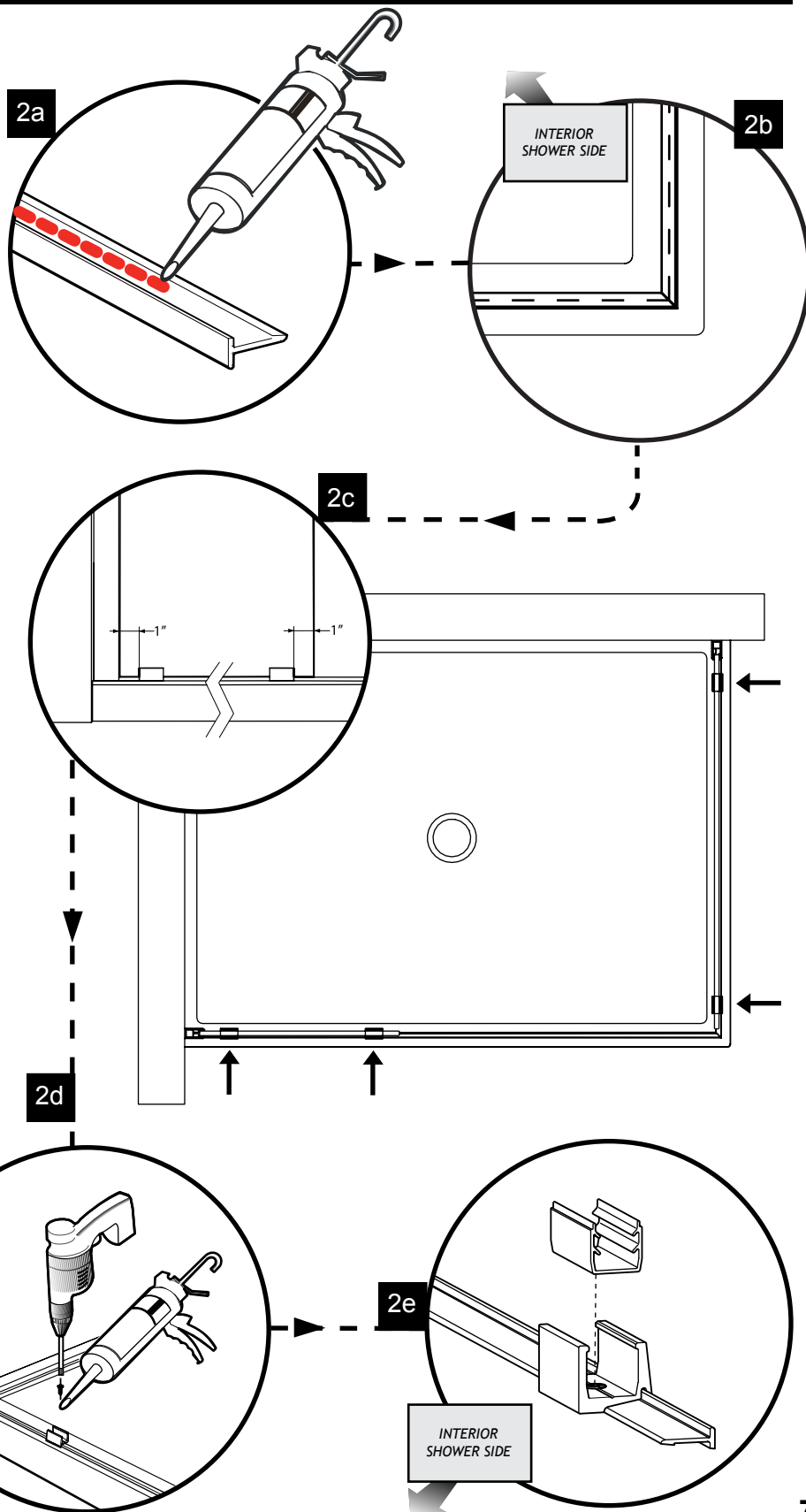
2a. Place silicone under the threshold.

2b. Place the threshold extrusion on the base by placing both 45° cuts together on the line of the base threshold.

2c. Place the bottom glass clips and the glass panels (side panel and return panels) on the threshold extrusion and mark their locations on the base. The clips must be 1" from the edge of the glass or from the expander.

2d. Remove the glass panel and place the bottom clips on the position marks. Place a drop of silicone in the hole of the clips and screw the clips to the threshold extrusion and the base by using the 1" flat head screws.

2e. Insert the PVC gasket into the bottom clips above the screw to protect the glass.

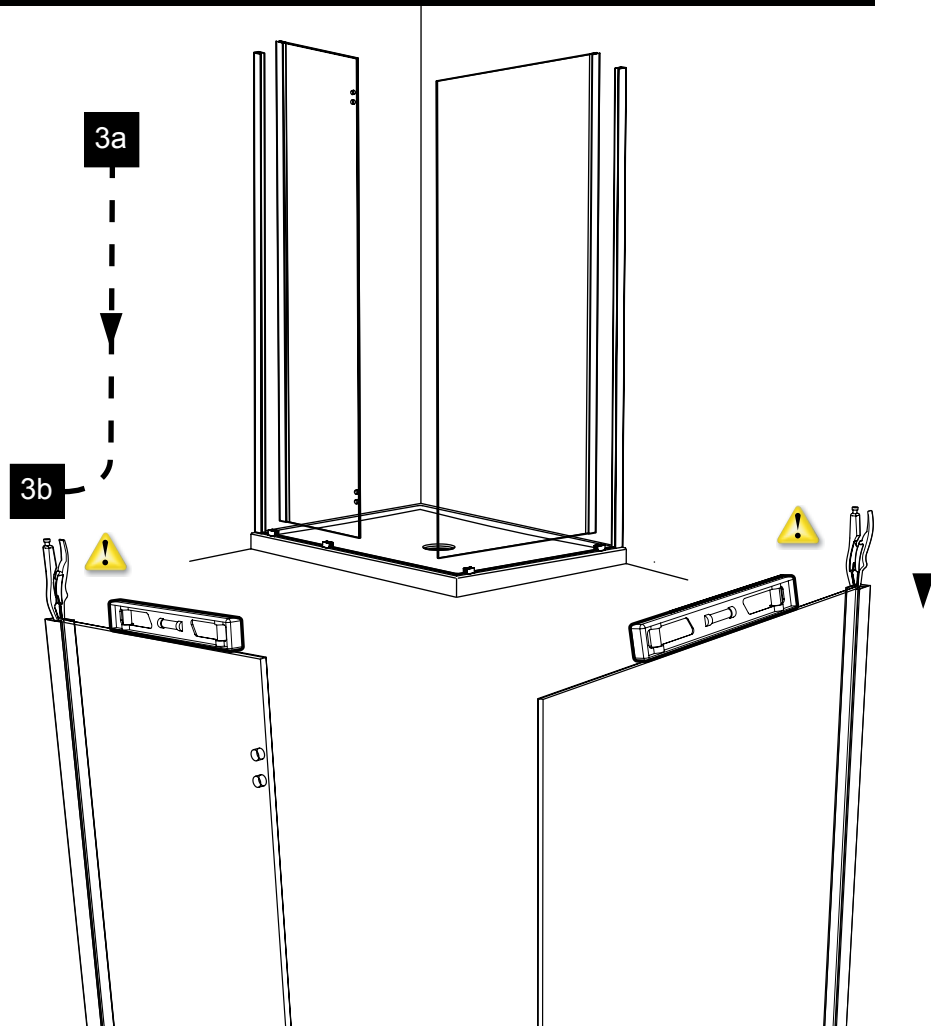


3

FIX & RETURN PANEL INSTALLATION

3a. Insert the expanders into the wall jambs and the glass in the bottom glass clips.

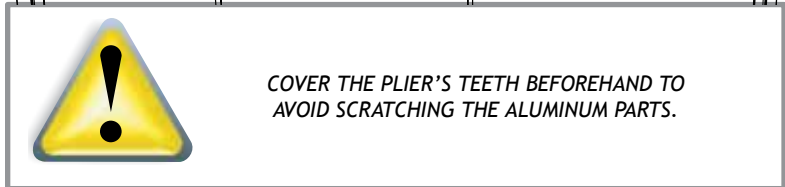
3b. Level the glass panels and lock the position by clamping the wall jambs and expanders with pliers. Cover the plier's teeth beforehand to avoid scratching the aluminum parts.



4a. Use a mallet to install the bottom gasket centered on the door panel. Place the lip side towards the inside of the shower.

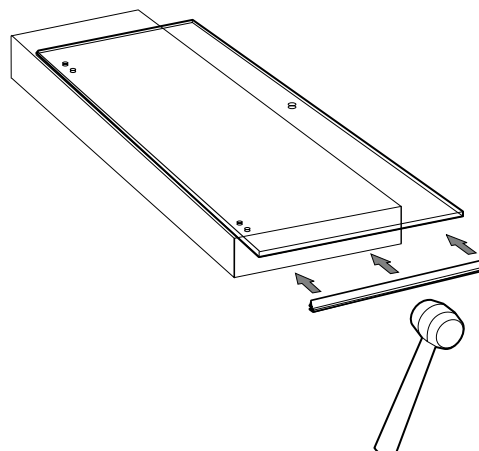
4b. Cut the bottom gasket with the following path using cutting pliers.

4c. Place the spacing blocs under the bottom gasket.



4d. Place the door centered on the threshold. Level and align the holes in the door and fix panels.

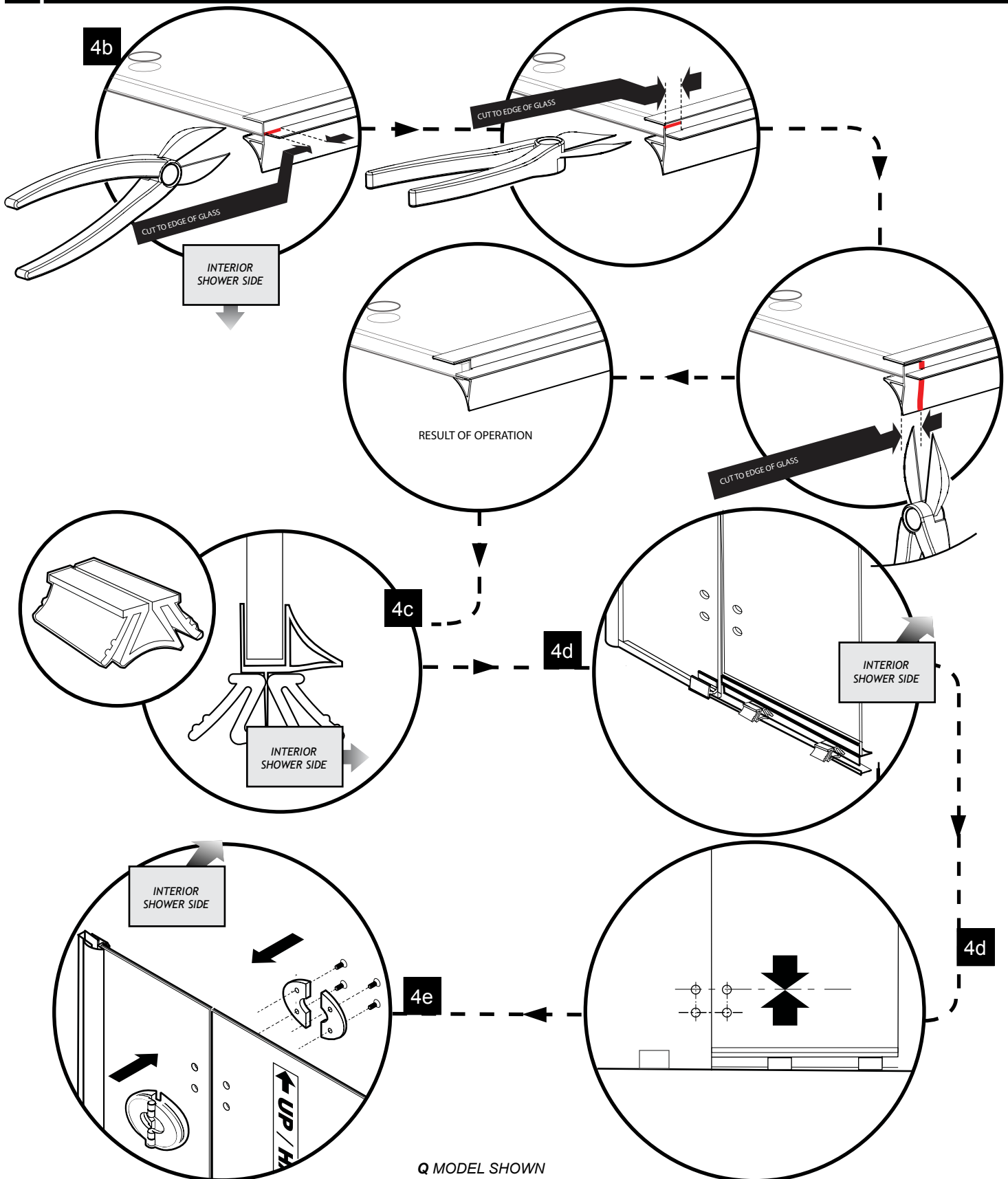
4a



4e. Assemble the hinges.



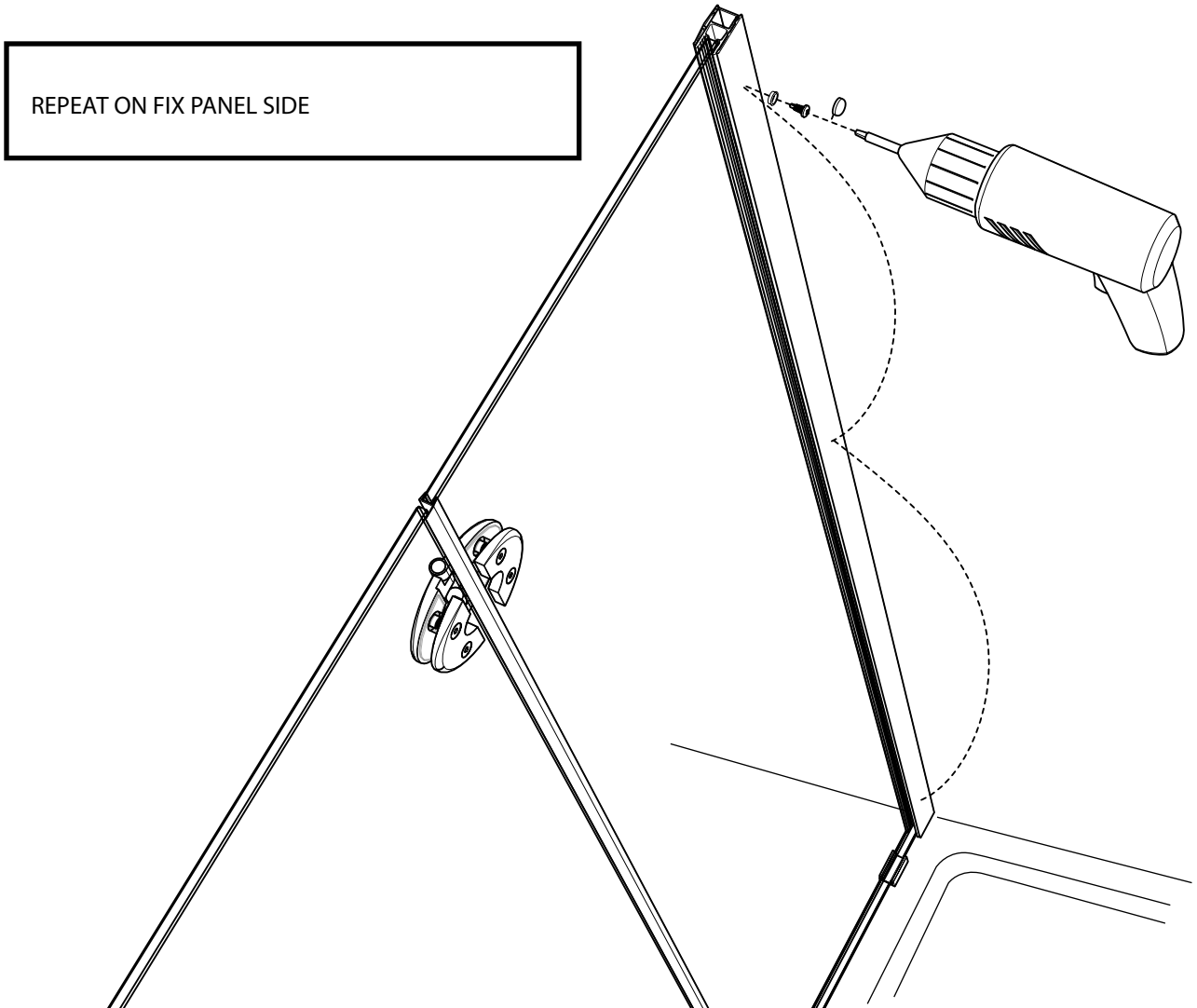
DOOR PANEL INSTALLATION



5

SECURE THE EXPANDERS

- 5a. Secure the expanders with their wall jambs using the self drilling screws #8- 3/8" and place the caps on the heads of apparent screws.

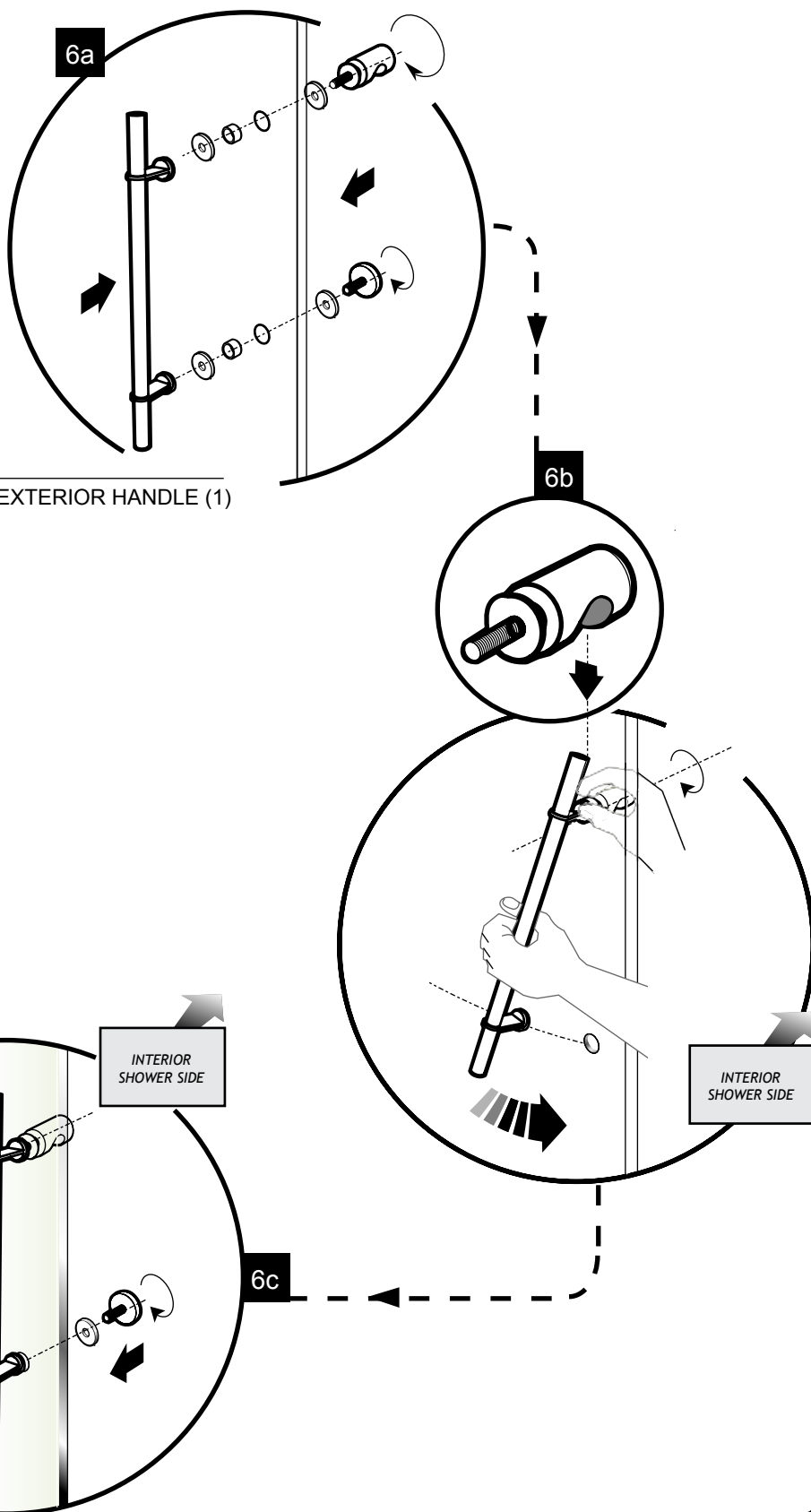


**6** HANDLE INSTALLATION

6a. Screw the handle on the door panel with the bar part facing the outside of the shower.

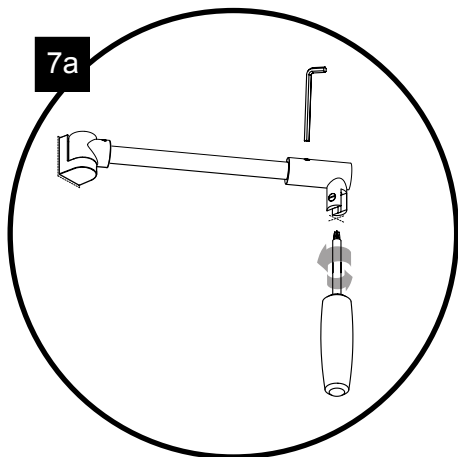
6b. Screw the inside knob facing the inside of the shower using the plastic gaskets between the metal parts and the glass panel.

6c. Screw the part without grip using the tightening pin in the second hole of the door panel using the plastic gaskets between the metal parts and the glass panel.

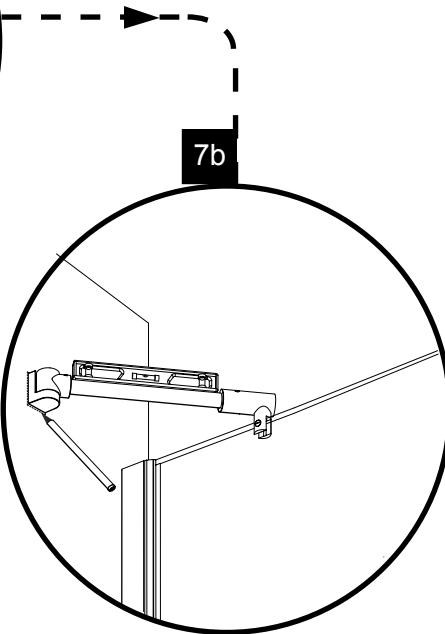


**7 SUPPORT BARS INSTALLATION**

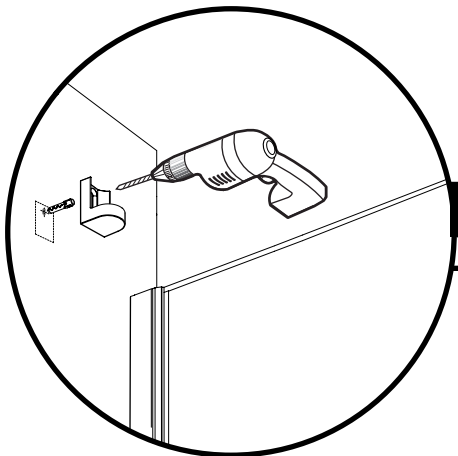
7a. Loosen the glass clip (#1d). Align the slot to the fixed panel. The slotted screw head should be on the inside of the shower.



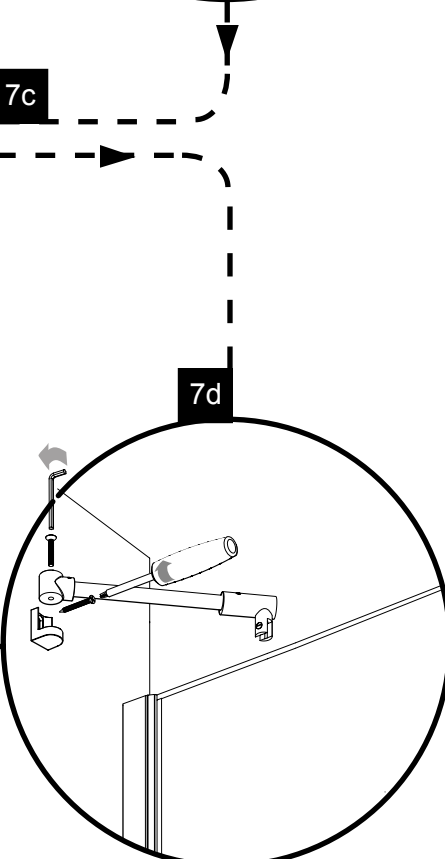
7b. Rest the support bar on the fixed panel inside the tub. Level it and trace an arc on the wall.



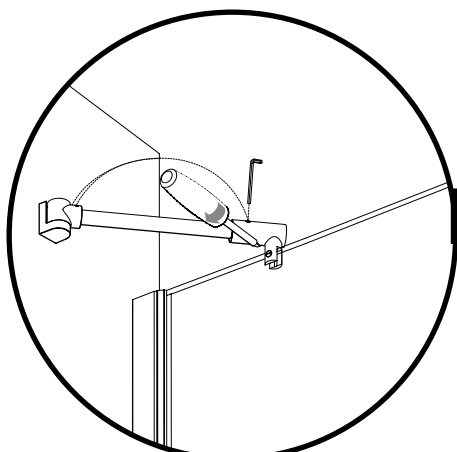
7c. Isolate the wall bracket and drill a hole, using a 1/4" drill bit through the wall. Locate the position of this hole by way of the wall bracket. Insert a wall plug.



7d. Secure the wall bracket to the wall by way of the screw. Assemble the cylindrical joint to the wall bracket.



Secure the glass fastener and wall bracket screws to complete the installation process.



8

SEALING

8a. Use a mallet to install the side gasket on the side panels. Place the textured side towards the outside of the shower.

8b. Use a mallet to install the magnetic gasket on the door and return panels. The magnetic gasket must close in point on the side of the handle hole.

8c. Silicone the outside of the shower, between the wall and the wall jamb, below of the fix panel and the return panel.

8d. Wait 24 hours before using the shower to dry the silicon.

