

GLASS — 1/2" (12mm) Tempered with polished edges • Door Height 79"

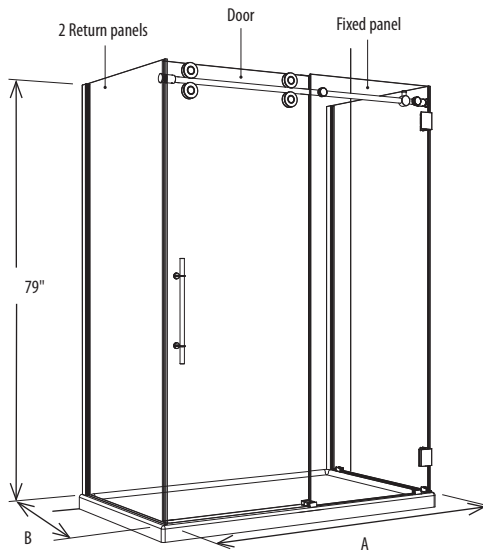


## P-DR3W

### THREE SIDED

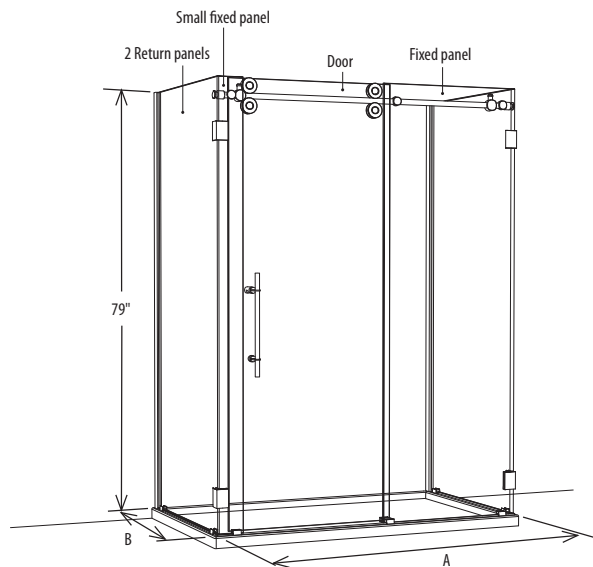
One fixed panel, one sliding door panel, two return panels  
Reversible Handing

Custom sizes are available.  
Contact our customer service team for more details.



#### P-DR3W-6036

One fixed panel, one sliding door panel, two return panels



#### P-DR3W-7236 and P-DR3W-7242

One fixed panel, one sliding door panel, one small fixed panel,  
two return panels

### OPENING DIMENSIONS

Model	A = Distance Between Centers Of Side Thresholds	B = Finished Wall To Center Of Front Threshold	Approx. Entry Opening	Optional Acrylic Base
P-DR3W-6036	57 7/8" to 58 3/8"	33 7/8" to 34 1/2"	21" to 24"	ABF3660
P-DR3W-7236	69 7/8" to 70 3/8"	33 7/8" to 34 1/2"	23"	ABF3672
P-DR3W-7242	69 7/8" to 70 3/8"	39 1/2" to 40 1/8"	23"	ABF3672

### GLASS DIMENSIONS

Model	Door	Fixed Panel (with corner clip)	Small Fixed Panel (with corner clip)	Return Panel (with corner clip)	Return Panel
P-DR3W-6036	31 1/2" x 78 13/16"	30" x 79"	N/A	32 7/8" x 79"	32 7/8" x 79"
P-DR3W-7236	31 1/2" x 78 13/16"	35" x 79"	5 1/2" x 79"	32 7/8" x 79" (x2)	N/A
P-DR3W-7242	31 1/2" x 78 13/16"	35" x 79"	5 1/2" x 79"	38 1/2" x 79" (x2)	N/A