

Tel: 800-643-1514  
www.alumaxshowerdoor.com

# 640S & 650S SERIES FRAMED BYPASS BATH ENCLOSURES



## **!WARNINGS!**

### INSTALLATION WARNINGS

- a) Alumax Bath Enclosures by Sapa are intended to be installed by an experienced installer. If you need assistance with locating an experienced installer, contact us at 1.800.643.1514 or go to our website [www.alumaxshowerdoor.com](http://www.alumaxshowerdoor.com) to access our "dealer locator". If a dealer is not listed in your area, call or send us an e-mail and we will find one for you.
- b) The enclosure must be properly installed per our published installation instructions. If NOT, the unit will not operate as designed which will cause hardware failure, glass breakage, leaking, other unidentified issues, and may cause nullification of warranty.
- c) Unpack your unit carefully and inspect for freight damage. Lay out and identify all parts using the instruction sheets as a reference. Before discarding the carton, check for small hardware bags that tend to fall into the bottom of the box. If any parts are damaged or missing, refer to the descriptions noted in the instructions when contacting your dealer for replacements.
- d) Before beginning installation, check the tub rim for level and both walls for plumb. If either is off more than ¼" to 3/8", you should use a tapered filler which can be used to level the tub track or plumb the wall jambs.
- e) Wear safety glasses when drilling or cutting to avoid injury to the eyes.
- f) When drilling holes in ceramic tile or marble, use a center punch and hammer to carefully break the surface glaze so the drill can start without skidding. A skidding drill can cause damage to the surface and can be dangerous (risk of personal injury).
- g) Use caution and proper technique whenever using tools to avoid damage to property and/or personal injury.

### GENERAL USAGE AND HANDLING WARNINGS

- a) Shower doors are not leak-proof. They are designed to direct water to the interior of the tub or shower under normal conditions. Excessive water pressure or directing the shower head directly at the door can result in leaks.
- b) Do not hang on towel bars or handles or use them to support your weight getting in and out of the bathtub or shower. Towel bars and handles are not intended to be used as grab bars for assistance getting in and out of the shower or bathtub. They are not intended to support a person's weight and could break.
- c) Do not use excessive force when opening and closing the enclosure. Excessive force can lead to glass breakage or other damage to the enclosure. Make sure wall jamb bumpers are securely fastened in place per the installation instructions.

### GLASS USAGE AND HANDLING WARNINGS

- a) **TEMPERED GLASS CANNOT BE CUT.** Attempting to cut tempered glass will result in the glass breaking or shattering.
- b) **USE CAUTION WHEN HANDLING GLASS PANELS.** Safety tempered glass is very resistant to breakage, but it can still break if unequal pressure is placed on it during installation (or if cutting of the glass is attempted). In addition, the sharp corners of the panels can damage tile and floor coverings or cause injury.
- c) **PROTECT THE EDGES OF THE GLASS.** Never let the edge of the glass come in direct contact with concrete, tile, marble or other hard surfaces that may nick, or damage the glass edge in any way as this damage may cause a delayed blow. Always check the edge of the glass for nicks, slivers, rough areas, or clam shelling. Do not install the glass if these conditions are present.
- d) Alumax Bath Enclosures by Sapa is not liable for glass breakage of any kind.

### CARE AND CLEANING WARNINGS

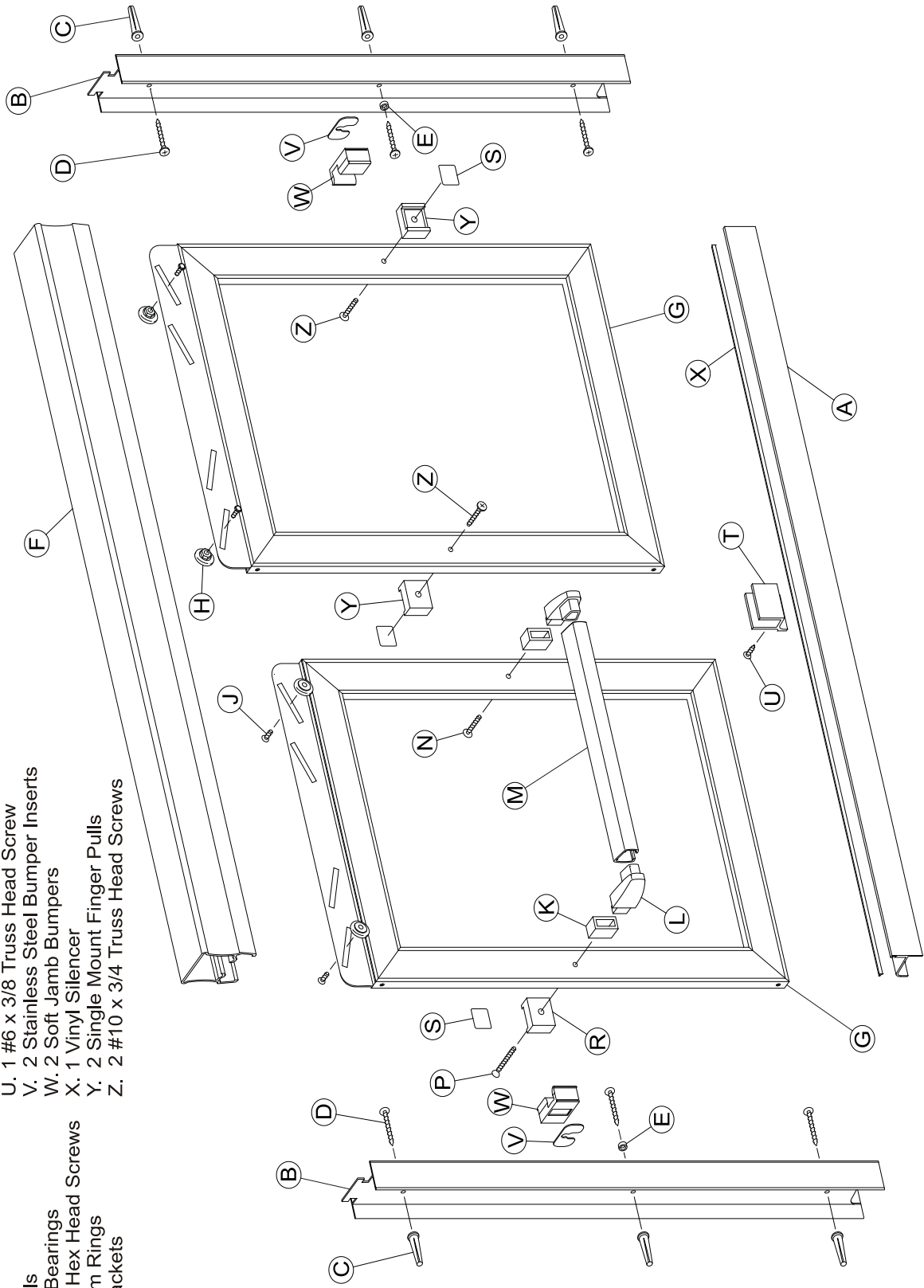
- a) The simplest and preferred method of cleaning your unit is by washing it with clean water and drying with a soft cloth.
- b) If soil is still present after drying, a non-abrasive cleanser with a pH of seven to eight may be used. Comet Bathroom Cleaner® has been tested and is recommended by the Bath Enclosure Manufacturers Association (BEMA).
- c) Contact your dealer for more information about glass coatings that will help keep the glass clean.
- d) **DO NOT USE SCOURING PADS, SHARP INSTRUMENTS, BLEACH OR ACID-BASED CLEANSERS TO CLEAN THE UNIT AS THEY MAY DAMAGE THE UNIT.**

### LIMITED WARRANTY

- a) Alumax Bath Enclosures by Sapa provides a LIMITED WARRANTY on material and workmanship only. Primary glass and component suppliers must be included in all warranty claims.
- b) Alumax Bath Enclosures by Sapa is not responsible for glass breakage.
- c) Products must be handled, installed and maintained per our published Warning and Installation instructions or the warranty may be nullified.
- d) The Limited Warranty applies to the original owner only, and is not transferable.
- e) Please visit our website [www.alumaxshowerdoor.com](http://www.alumaxshowerdoor.com) or call us at 1.800.643.1514 to get copies of our published warranty, installation and warranty policies.

# 640S/650S Parts List

- A. 1 Tub Track
- B. 2 Wall Jamb
- C. 6 Plastic Wall Anchors
- D. 6 #8 x 1 1/2" Truss Head Screws
- E. 2 Nylon Spacers
- F. 1 Header
- G. 2 Glazed Panels
- H. 4 Nylon Roller Bearings
- J. 4 #8 - 32 x 3/8" Hex Head Screws
- K. 2 Towel Bar Trim Rings
- L. 2 Towel Bar Brackets
- M. 1 Towel Bar
- N. 1 #10 - 24 x 7/8" Truss Head Screw
- P. 1 #10 - 24 x 1 1/8" Flat Head Screw
- R. 1 Acrylic Finger Pull
- S. 3 Alumax Decals
- T. 1 Nylon Bottom Guide
- U. 1 #6 x 3/8" Truss Head Screw
- V. 2 Stainless Steel Bumper Inserts
- W. 2 Soft Jamb Bumpers
- X. 1 Vinyl Silencer
- Y. 2 Single Mount Finger Pulls
- Z. 2 #10 x 3/4" Truss Head Screws

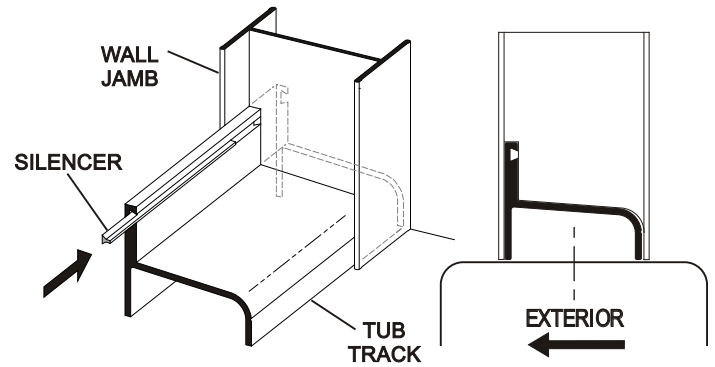


1

Measure the wall-to-wall opening at the center of the tub rim. Cut the tub track **[A]** 1/16" short of this dimension. An inexpensive miter box (available at your local hardware store) will help you get clean square cuts. If the vinyl silencer **(X)** is separate from the tub track **(A)** slide the silencer into the slot in the tub track.

Position the tub track in the center of the tub rim with the tall leg to the exterior. It may be necessary to file a radius on the ends of the tub track and wall jambs to match the corners of the enclosure.

Press both wall jambs **[B]** into position over the tub track. Masking tape can be used to hold the parts in place temporarily.

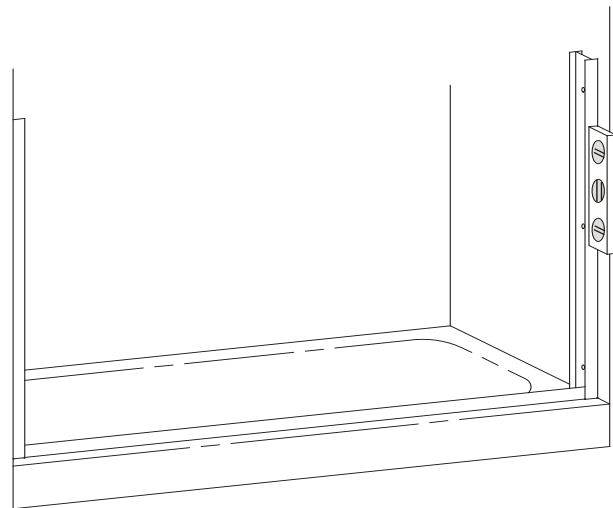


2

Use a level to plumb both wall jambs **[B]**, then mark the pre-drilled hole locations on the wall. Lightly mark along both sides of the tub track **[A]** with a pencil, then remove all parts.

For tile or marble walls, drill six 3/16" diameter holes and insert the plastic wall anchors **[C]**. Attachments to fiberglass or acrylic units can be made in two ways. If a reinforcement is built into the wall of unit, drill six 1/8" holes to install mounting screws directly into the reinforcement. If walls are not reinforced, drill six 3/16" holes and install plastic wall anchors or toggle bolts (toggle bolts not supplied by ALUMAX).

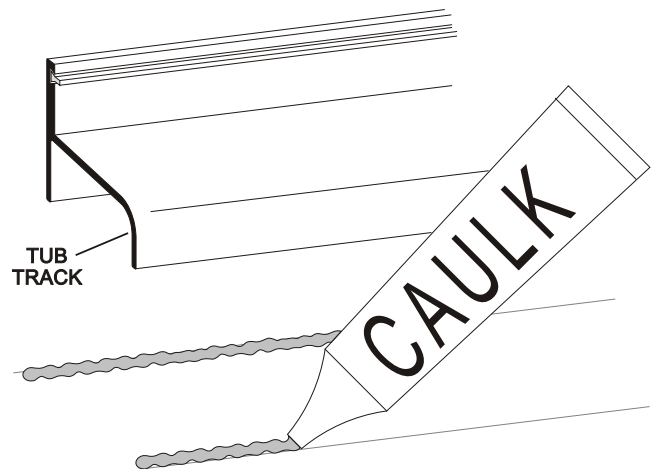
**CAUTION:** The track should never be screwed to the tub. This will damage the tub and cause leakage.



3

Before replacing the tub track **[A]**, force a slight downward bow in the extrusion. This will ensure the track fits tight to the tub. Run two beads of caulk inside the penciled marks on the tub rim. Place the tub track in the exact position marked in Step #2 and seat it firmly in the caulking.

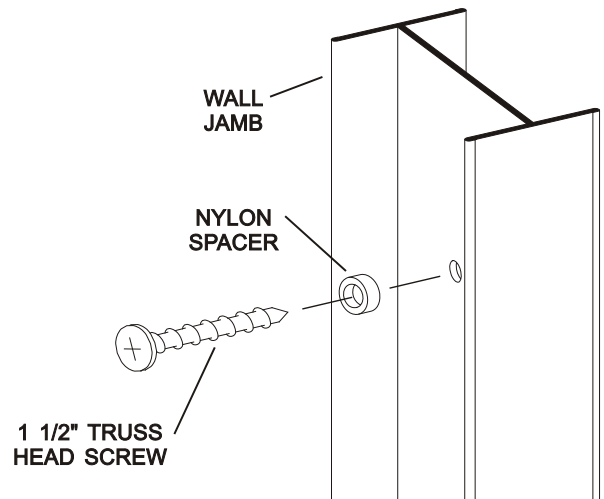
**NOTE:** Improper caulking will result in leaks.



## 4

Replace one wall jamb **[B]** and attach to wall with two #8 x 1 1/2" truss head screws **[D]** inserted through the top and bottom holes. Slip a nylon spacer **[E]** over a #8 x 1 1/2" truss head screw and install in the center hole of the wall jamb. Check jamb for plumb and tighten screws.

**NOTE:** Do not overtighten the jamb screws.

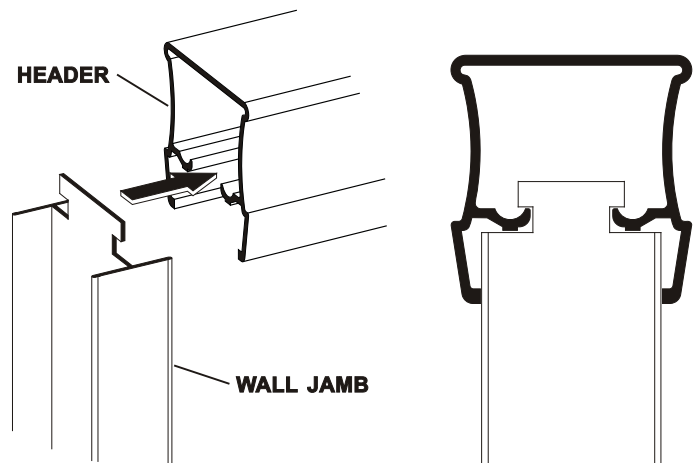


## 5

This bath enclosure is equipped with safety tee-lock wall jambs. When properly installed, the header is permanently locked to the wall jambs and cannot be accidentally dislodged.

Measure the wall-to-wall opening at the top of the wall jambs **[B]** and cut the header **[F]** 1/16" short of this dimension. Check the header for fit.

Slide the safety tee-lock of the unmounted wall jamb **[B]** into the end of the header. The header is reversible so that either face may be turned to the exterior of the unit. Holding the header at an angle, engage the other end onto the mounted wall jamb. Pivot the header into place, then slide the loose wall jamb to the wall and press into position on the tub track. Attach the jamb to the wall per instructions in Step #4.



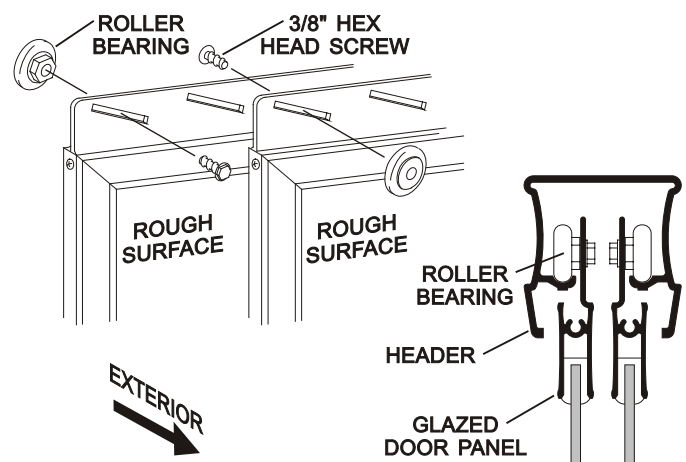
## 6

**NOTE:** Obscure glass doors should be installed with the rough surface of the glass to the exterior of the unit. Deco or etched glass doors should be installed with the patterned surface to the inside.

On doors with obscure or etched glass, there is an interior and exterior glazed door panel **[G]** as determined by the position of the top bearing fin. Door panels with clear glass are interchangeable.

Attach the four nylon roller bearings **[H]** to the door panels as shown, using #8-32 x 3/8" hex head screws **[J]** centered in the outside slots in the top bearing fins.

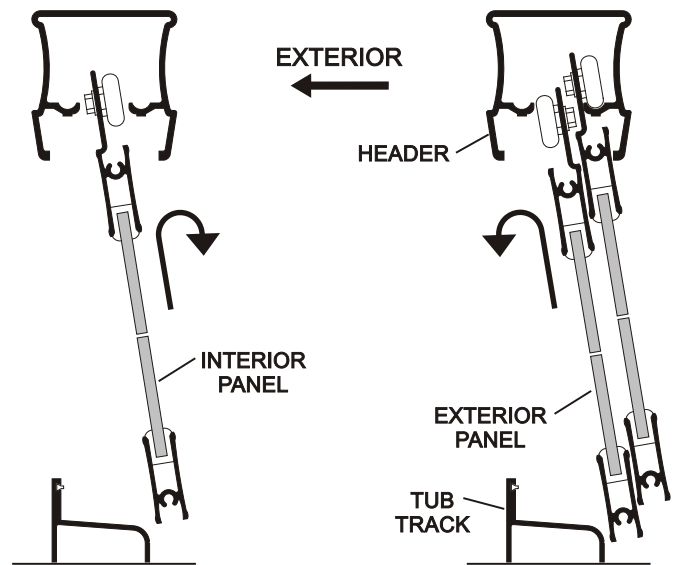
**NOTE:** The #8-32 x 3/8" hex washer head screw **[J]** used to attach the roller to the hanger bracket should be torqued to 25 in-lbs.



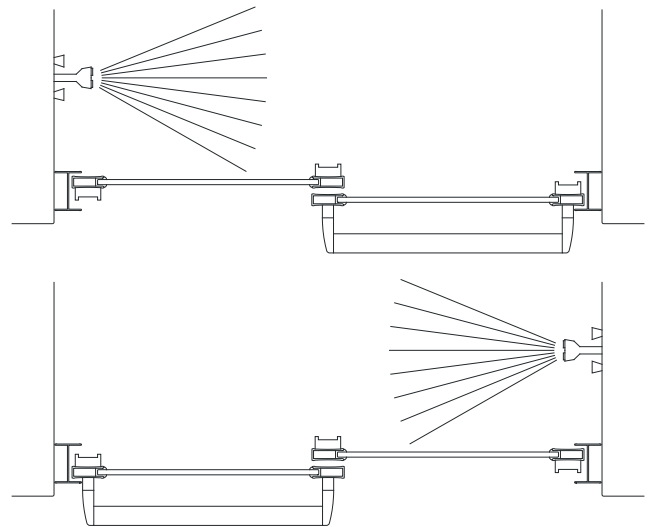
**7** Lift the interior panel (with the rough surface closest to the top fin) into position with the rollers engaging the roller slot in the header **[F]**.

Repeat for the exterior panel (rough surface away from the top fin).

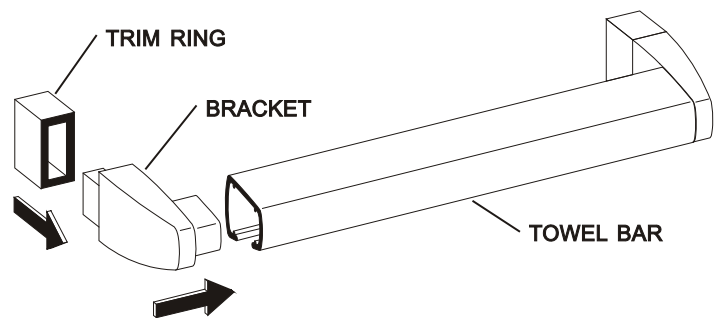
If the door panels are not parallel to the wall jambs, remove them from the header and adjust the rollers up or down to compensate.



**8** Before finishing the installation it is necessary to determine the proper closed position of the doors. For maximum water-proofing, position the interior panel closest to the shower head, as shown in the detail.

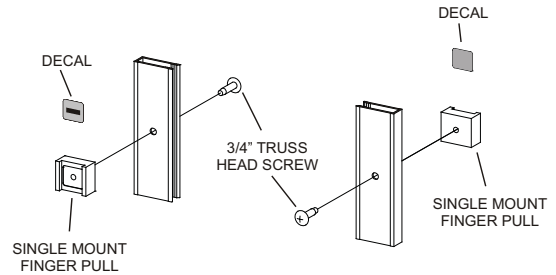


**9** Slide the two towel bar trim rings **[K]** over the clear acrylic towel bar brackets **[L]** and press the brackets into the ends of the towel bar **[M]**.



# 10

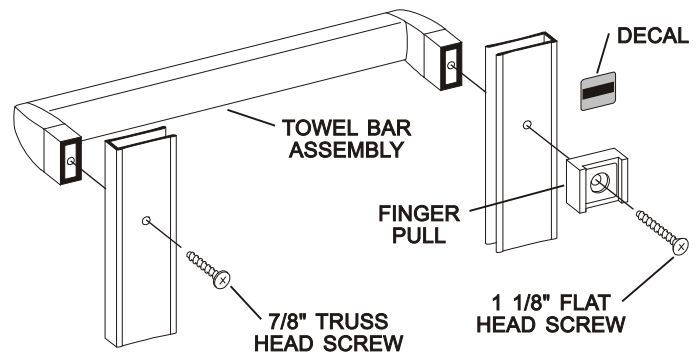
Attach one of the single mount finger pulls **[Y]** to the outside of the interior panel with the finger pull on the side of the panel nearest the shower head. Use a #10 x 3/4" truss head screw **[Z]** to make the attachment. Attach the remaining single mount finger pull to the other side of the interior panel with the finger pull on the interior. Peel the backing from the Alumax decal **[S]** and press it into the recess of the finger pulls.



**Note:** Do not over tighten the finger pull screws.

# 11

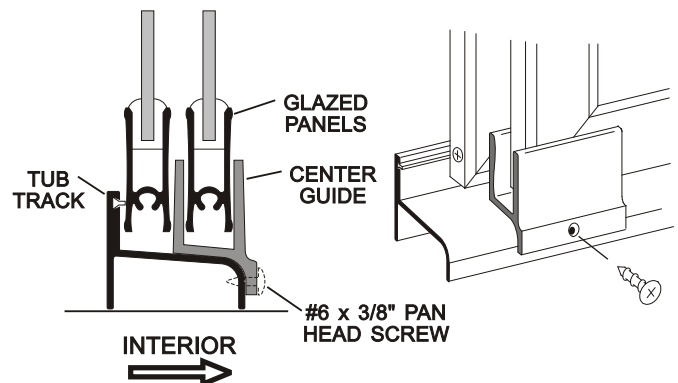
Attach a towel bar assembly (with the open slot in the bar downward) to the exterior panel with a #10-24 x 7/8" truss head screw **[N]** thru the inner rail. Insert a #10-24 x 1 1/8" flat head screw **[P]** thru an acrylic finger pull **[R]**, thru the outer rail and into the outer towel bar bracket. Peel the backing from a ALUMAX decal **[S]** press it into the recess in the acrylic finger pull.



**NOTE:** Do not overtighten the towel bar screws.

# 12

Locate the nylon bottom guide **[T]** in the middle of the tub track **[A]** with the door panels in the position shown. With a 7/64" bit, drill a hole into the V-groove through the mounting hole in the bottom guide. Install the bottom guide with a #6 x 3/8" pan head screw **[U]** thru the drilled hole.

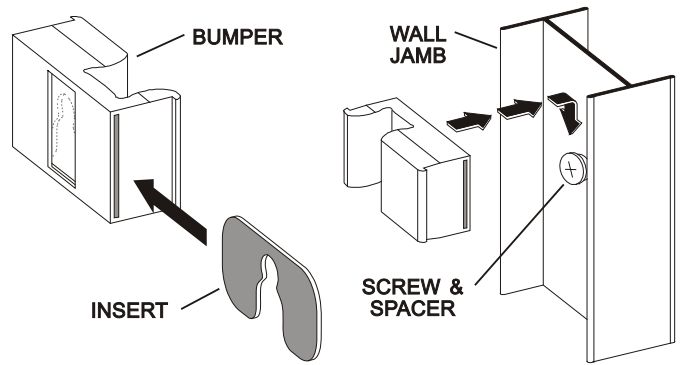


---

---

# 13

Slide the stainless steel bumper inserts **[V]** into the two soft vinyl jamb bumpers **[W]**. Align the slots in the bumpers with the outer rails of the door panels and snap the bumpers downward over the center wall jamb screws **[D]** with the nylon spacers **[E]** (see Step #4).



---

---

# 14

Caulk both ends of the tub track **[A]** where it meets the wall jambs **[B]** and the interior edge of the wall jambs as shown. Run a bead of caulking along the interior edge of the tub track.

**NOTE:** We recommend that you let the caulk cure for 24 hours before using your new enclosure.

